



US00D753520S

(12) **United States Design Patent**
Takenaka et al.

(10) **Patent No.:** **US D753,520 S**
(45) **Date of Patent:** **** Apr. 12, 2016**

(54) **INDICATOR LIGHT FOR PHOTOELECTRIC SENSOR**

(71) Applicant: **OMRON Corporation**, Kyoto-shi, Kyoto (JP)

(72) Inventors: **Hidemitsu Takenaka**, Otsu (JP); **Koyuru Nakano**, Nara (JP); **Nobuchika Takiguchi**, Moriyama (JP); **Kazunori Osako**, Otsu (JP); **Shunsuke Mogi**, Ritto (JP); **Shunkichi Sasaki**, Osaka (JP)

(73) Assignee: **OMRON CORPORATION**, Kyoto (JP)

(**) Term: **14 Years**

(21) Appl. No.: **29/515,843**

(22) Filed: **Jan. 27, 2015**

(30) **Foreign Application Priority Data**

Aug. 8, 2014 (JP) 2014-017411

(51) **LOC (10) CL.** **10-04**

(52) **U.S. CL.**
USPC **D10/70**; D10/106.1; D10/106.8; D13/165

(58) **Field of Classification Search**
USPC D10/65, 70, 106.1, 106.8; D13/158, D13/165, 177
CPC G01V 8/10; G01V 8/12; G01V 8/14; G01V 8/16; G01V 8/18; G01V 8/20; G01V 8/22; G01V 8/24; G01V 8/26; G01J 1/02; G01J 1/0271; G01J 1/18; H03K 17/9629; H03K 17/9631; H03K 17/9636; H03K 17/9638; H03K 2017/9634
See application file for complete search history.

(56) **References Cited**

U.S. PATENT DOCUMENTS

D333,629 S * 3/1993 Johnson D10/78
D485,774 S * 1/2004 Hwang D10/106.6

7,084,387 B2 * 8/2006 Higuchi G01V 8/20 250/221
7,122,782 B2 * 10/2006 Sakaguchi G01V 8/20 250/221
7,227,120 B2 * 6/2007 Shimokawa G01V 8/20 250/214 R
D557,219 S * 12/2007 Detering D13/165
7,348,536 B2 * 3/2008 Bockel G01V 8/20 250/221
D595,164 S * 6/2009 Greger D10/65
7,550,708 B2 * 6/2009 Deguchi G01J 1/02 250/221
7,759,626 B2 * 7/2010 Kikuchi F16P 3/144 250/214 AL
D651,104 S * 12/2011 Mori D10/70
8,786,436 B2 * 7/2014 Kozawa G01V 8/20 250/221
8,878,687 B2 * 11/2014 Shiraishi G01V 8/20 340/693.6
8,947,652 B2 * 2/2015 Ohmae G01B 11/00 356/213
8,963,746 B2 * 2/2015 Chu H03K 17/9631 250/221
9,063,243 B2 * 6/2015 Kurata G01V 8/20

* cited by examiner

Primary Examiner — Antoine D Davis

(74) *Attorney, Agent, or Firm* — Harness, Dickey & Pierce, P.L.C.

(57) **CLAIM**

The ornamental design for an indicator light for photoelectric sensor, as shown and described.

DESCRIPTION

FIG. 1 is a front perspective view of an indicator light for photoelectric sensor;
FIG. 2 is a rear perspective view thereof;
FIG. 3 is a front elevational view thereof;
FIG. 4 is a rear elevational view thereof;
FIG. 5 is a left side view thereof;
FIG. 6 is a right side view thereof;
FIG. 7 is a top plan view thereof; and,
FIG. 8 is a bottom plan view thereof.
The broken lines depict environmental subject matter only and form no part of the claimed design.
The oblique short lines in FIGS. 1-7 are intended to illustrate that the surface is translucent.

1 Claim, 4 Drawing Sheets

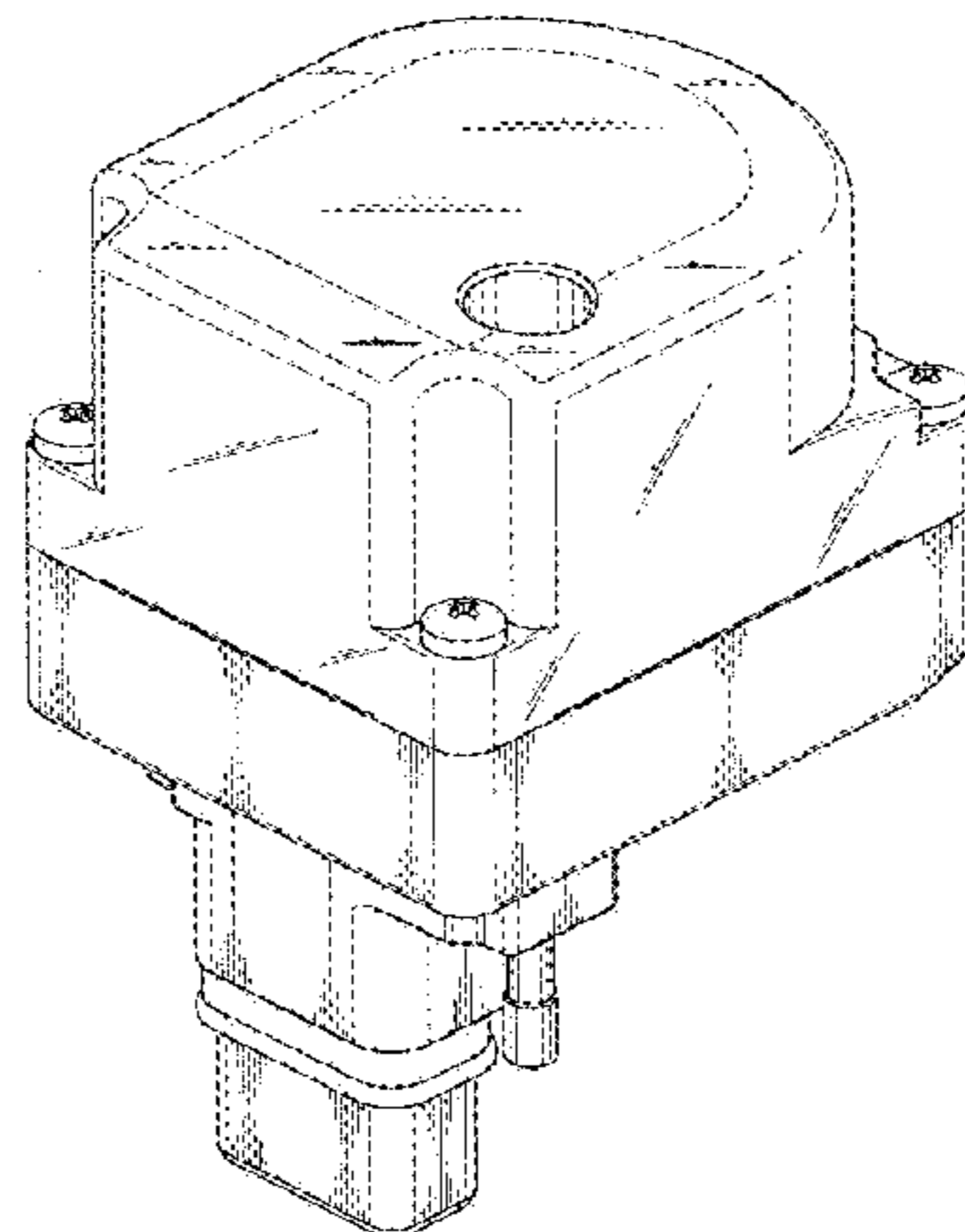
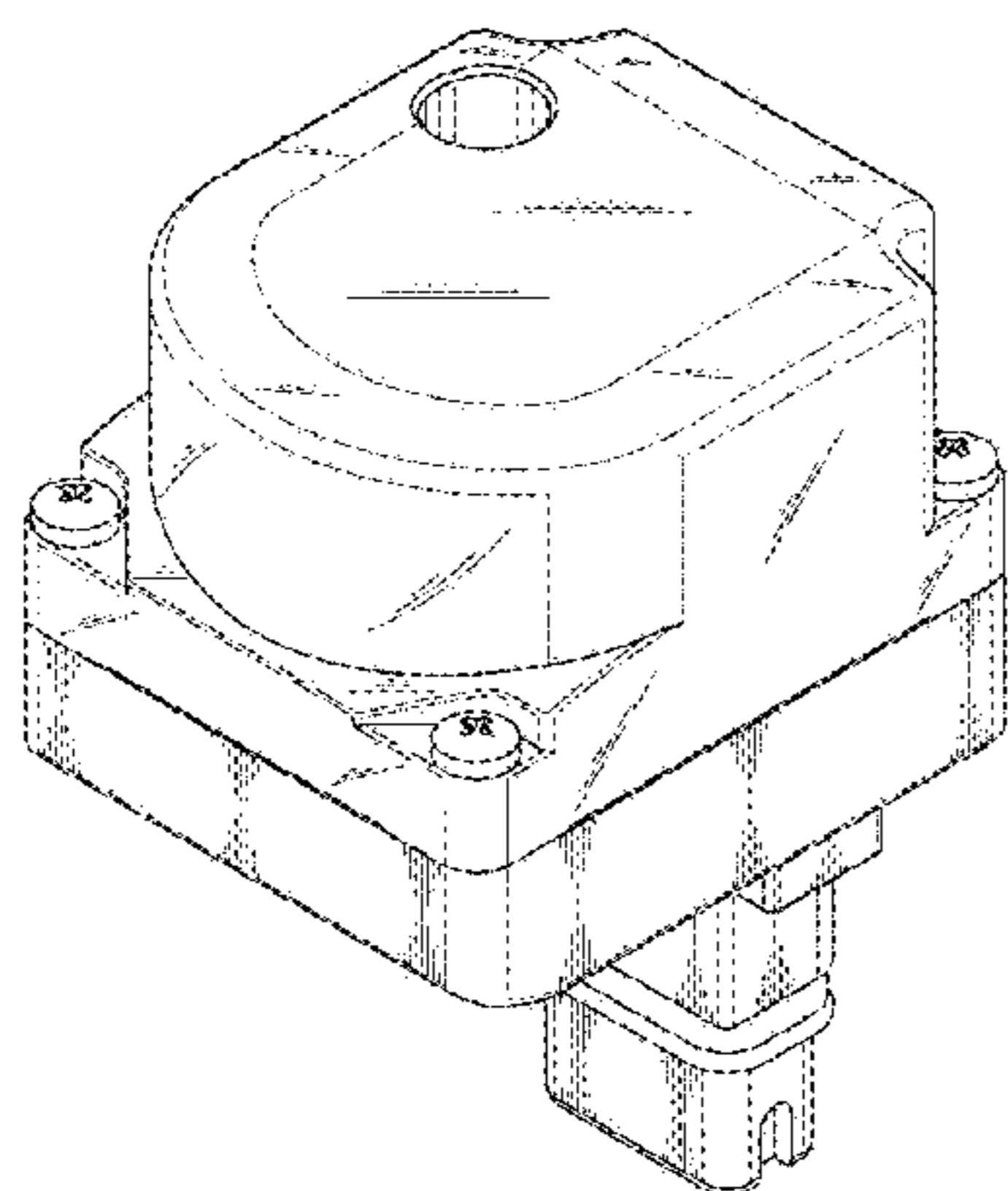


Fig. 1

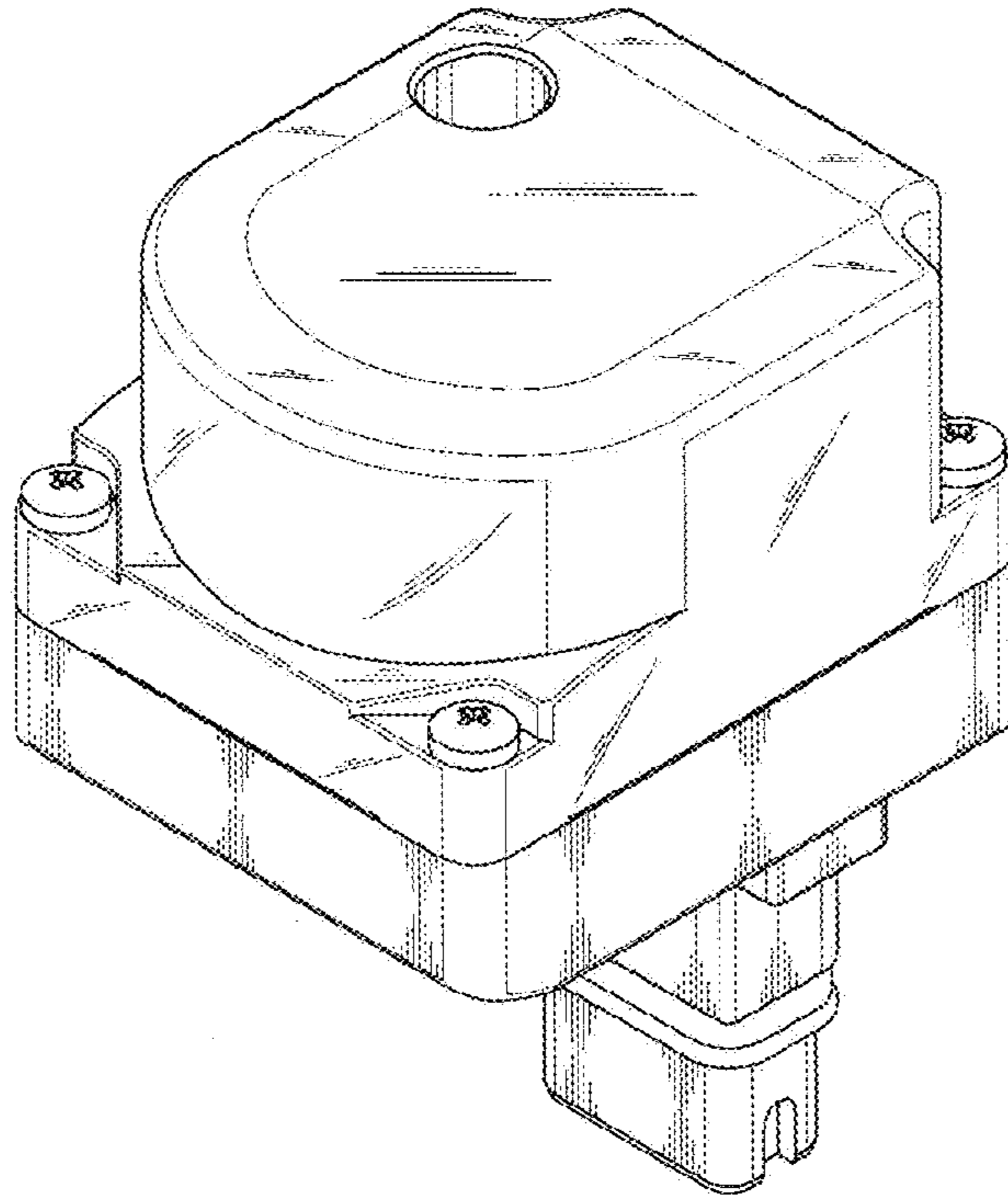


Fig. 2

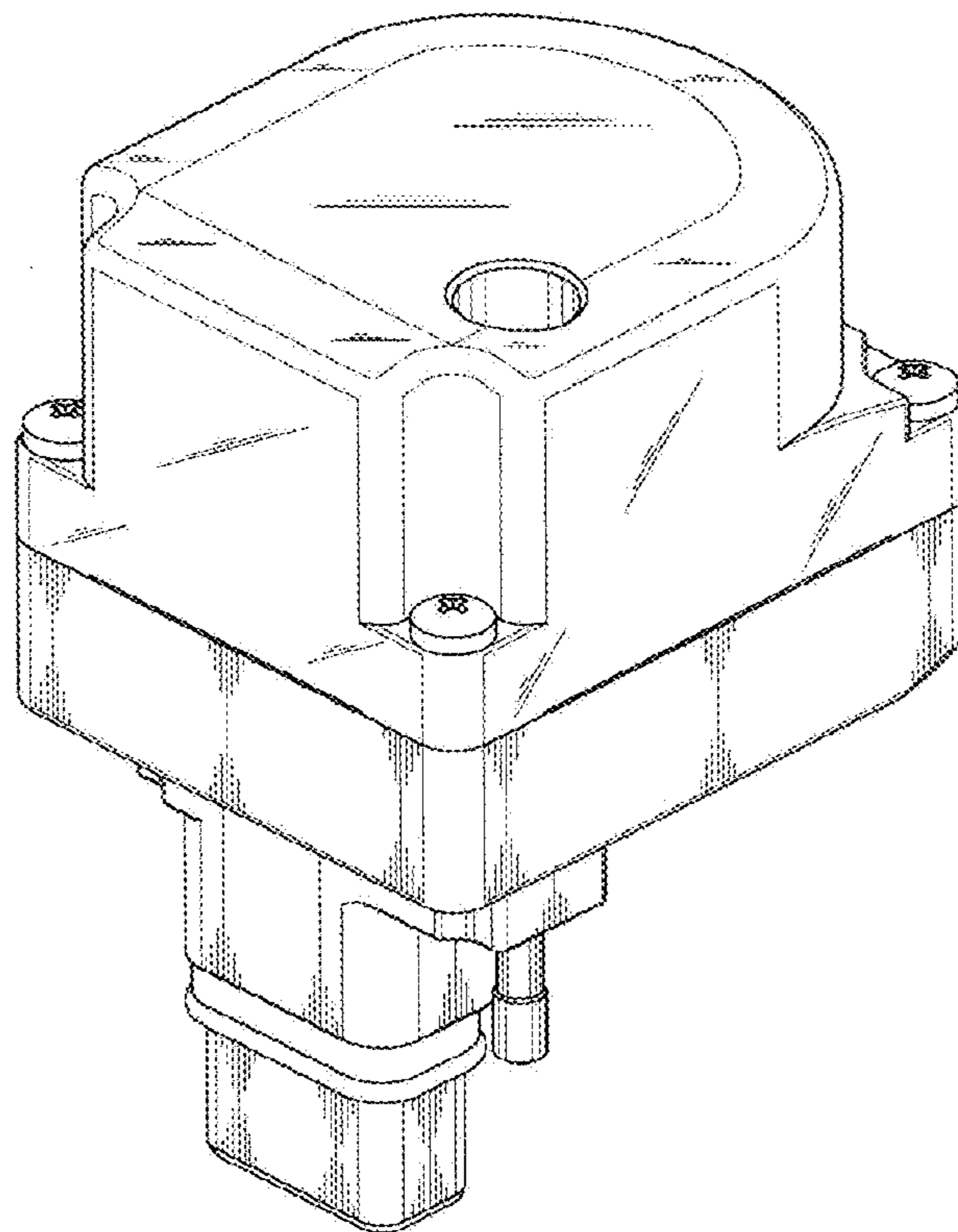


Fig. 3

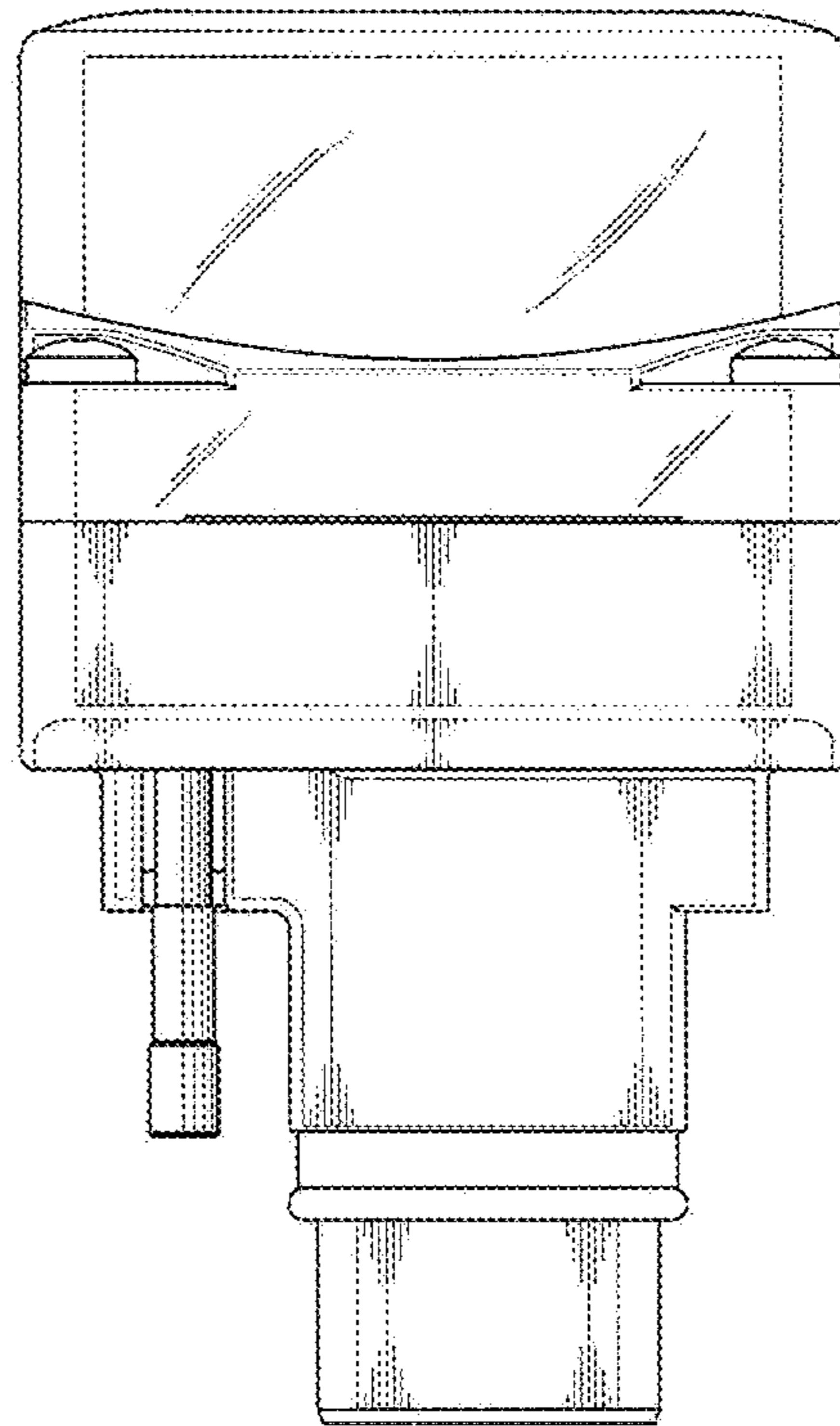


Fig. 4

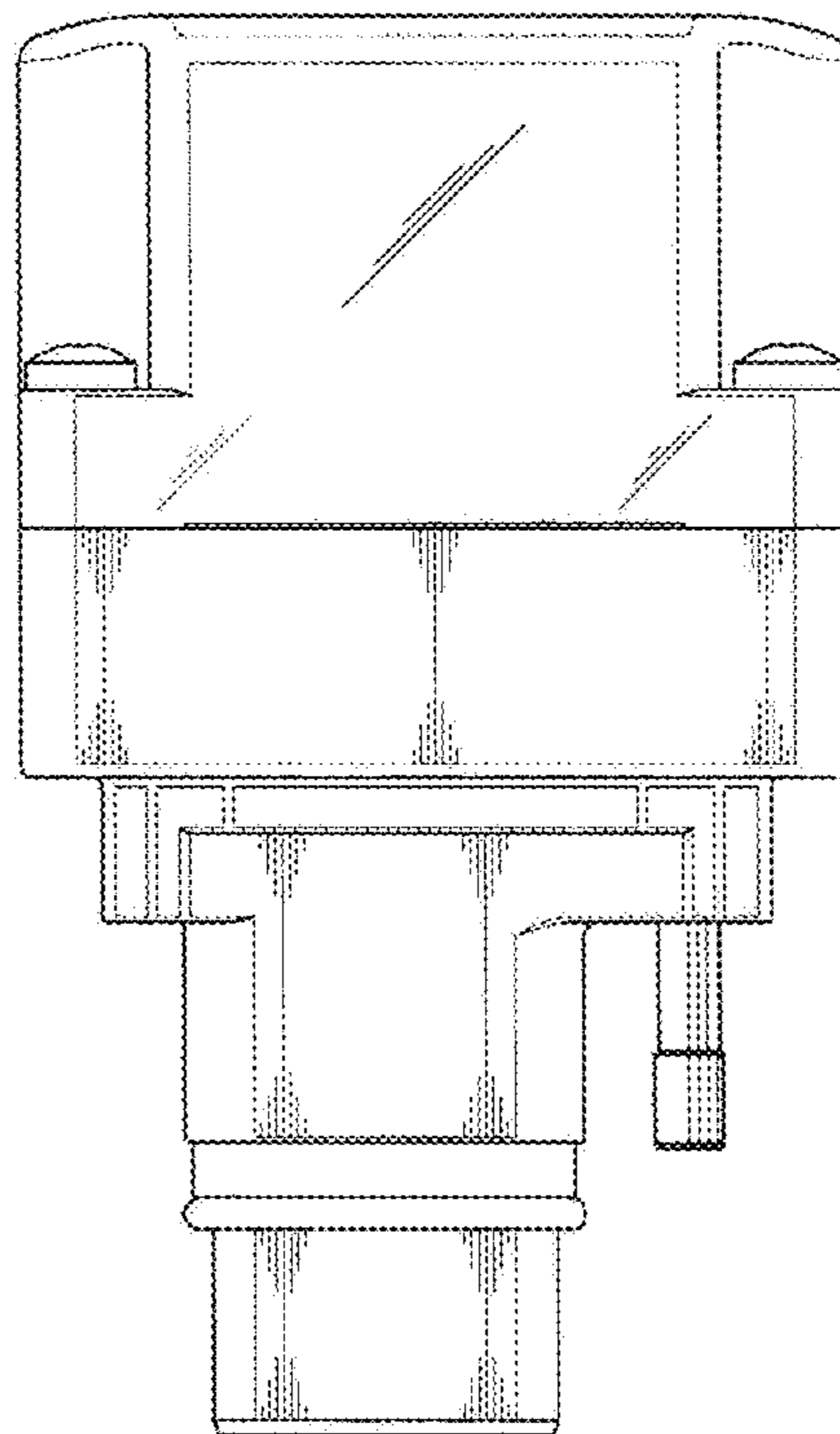


Fig. 5

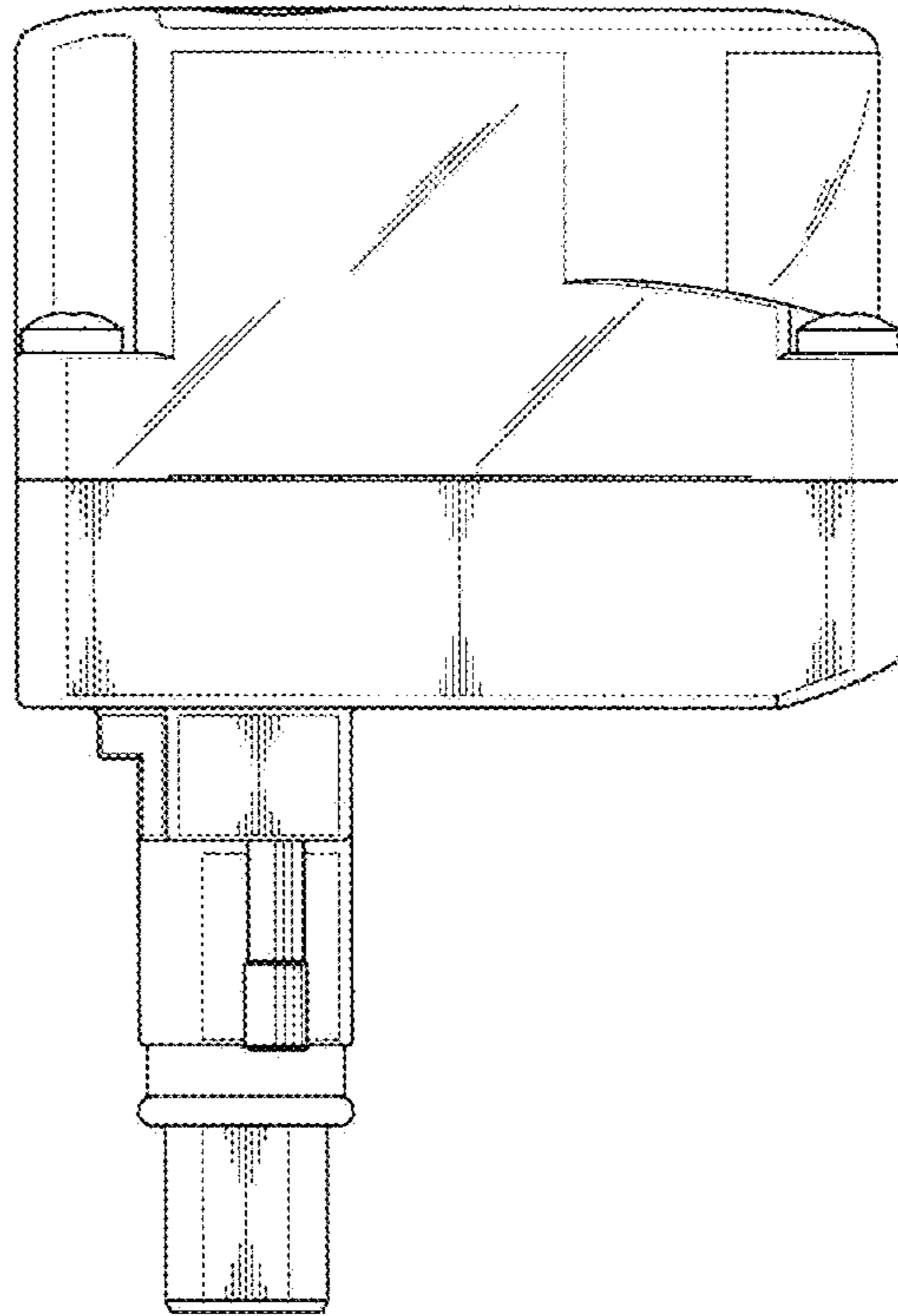


Fig. 6

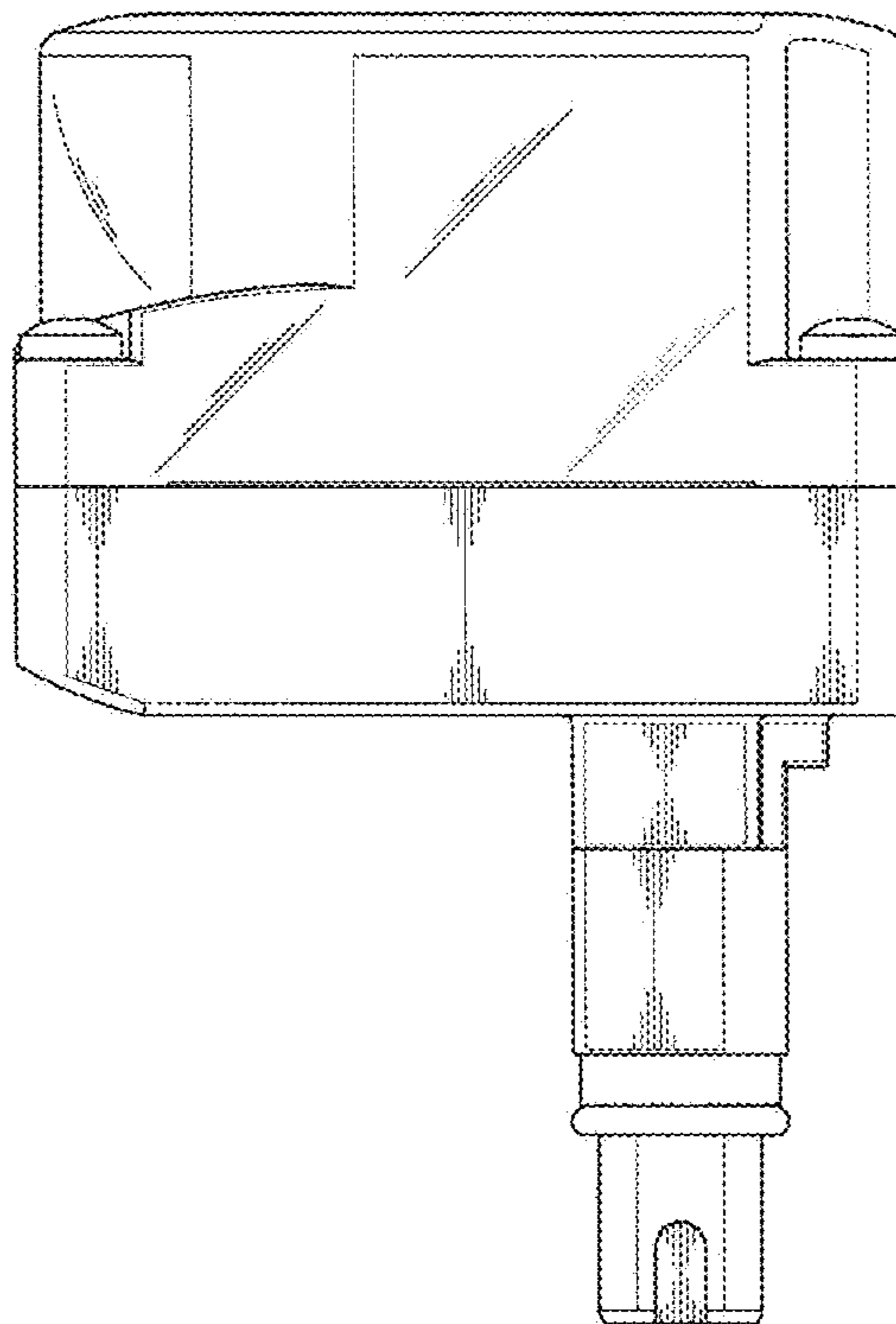


Fig. 7

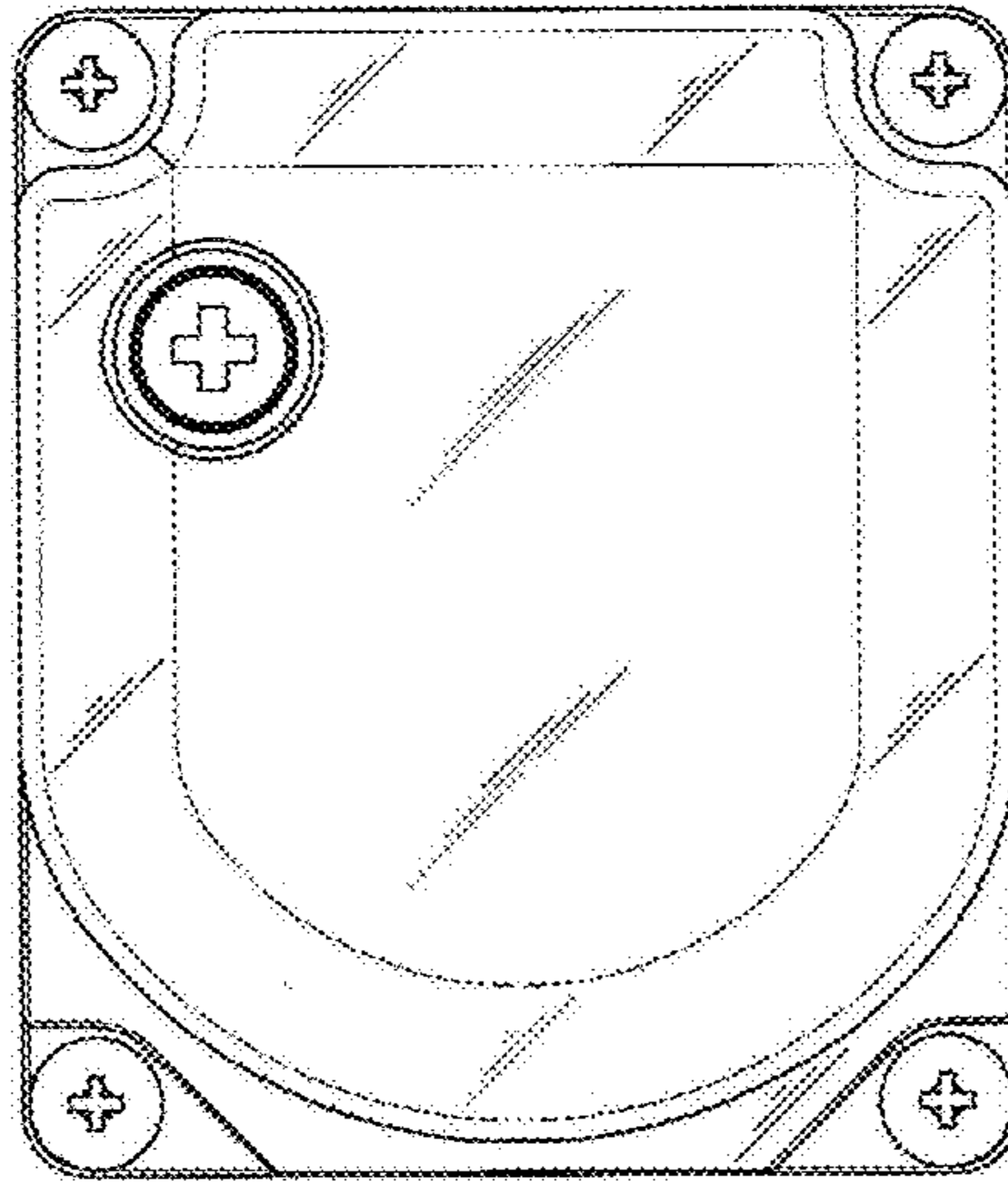


Fig. 8

