

US00D753519S

(12) **United States Design Patent**
Takenaka et al.

(10) **Patent No.:** **US D753,519 S**
(45) **Date of Patent:** **** Apr. 12, 2016**

- (54) **PHOTOELECTRIC SENSOR**
- (71) Applicant: **OMRON Corporation**, Kyoto-shi, Kyoto (JP)
- (72) Inventors: **Hidemitsu Takenaka**, Otsu (JP); **Koyuru Nakano**, Nara (JP); **Nobuchika Takiguchi**, Moriyama (JP); **Kazunori Osako**, Otsu (JP)
- (73) Assignee: **OMRON CORPORATION**, Kyoto (JP)
- (**) Term: **14 Years**
- (21) Appl. No.: **29/515,839**
- (22) Filed: **Jan. 27, 2015**

(30) **Foreign Application Priority Data**

Aug. 8, 2014 (JP) 2014-017412

(51) **LOC (10) Cl.** **10-04**

(52) **U.S. Cl.**
USPC **D10/70**; D10/106.1; D13/165

(58) **Field of Classification Search**
USPC D10/65, 70, 106.1; D13/158, 165, 177
CPC G01V 8/10; G01V 8/12; G01V 8/14; G01V 8/16; G01V 8/18; G01V 8/20; G01V 8/22; G01V 8/24; G01V 8/26; G01J 1/02; G01J 1/0271; G01J 1/18; H03K 17/9629; H03K 17/9631; H03K 17/9636; H03K 17/9638; H03K 2017/9634
See application file for complete search history.

(56) **References Cited**

U.S. PATENT DOCUMENTS

- D333,629 S * 3/1993 Johnson D10/78
- D485,774 S * 1/2004 Hwang D10/106.6
- 7,084,387 B2 * 8/2006 Higuchi G01V 8/20
250/221
- 7,122,782 B2 * 10/2006 Sakaguchi G01V 8/20
250/221
- 7,227,120 B2 * 6/2007 Shimokawa G01V 8/20
250/214 R
- D557,219 S * 12/2007 Detering D13/165
- 7,348,536 B2 * 3/2008 Bockel G01V 8/20
250/221

- D595,164 S * 6/2009 Greger D10/65
- 7,550,708 B2 * 6/2009 Deguchi G01J 1/02
250/221
- 7,759,626 B2 * 7/2010 Kikuchi F16P 3/144
250/214 AL
- D651,104 S * 12/2011 Mori D10/70
- 8,786,436 B2 * 7/2014 Kozawa G01V 8/20
250/221
- 8,878,687 B2 * 11/2014 Shiraishi G01V 8/20
340/693.6
- 8,947,652 B2 * 2/2015 Ohmae G01B 11/00
356/213
- 8,963,746 B2 * 2/2015 Chu H03K 17/9631
250/221
- 9,063,243 B2 * 6/2015 Kurata G01V 8/20

* cited by examiner

Primary Examiner — Antoine D Davis

(74) *Attorney, Agent, or Firm* — Harness, Dickey & Pierce, P.L.C.

(57) **CLAIM**

The ornamental design for a photoelectric sensor, as shown and described.

DESCRIPTION

FIG. 1 is a front perspective view of a photoelectric sensor; FIG. 2 is a rear perspective view thereof; FIG. 3 is a front elevational view thereof; FIG. 4 is a rear elevational view thereof; FIG. 5 is a right side view thereof, the undisclosed left side view being a mirror image thereof; FIG. 6 is a top plan view thereof; FIG. 7 is a bottom plan view thereof; FIG. 8 is a front perspective view thereof in an opened position; and, FIG. 9 is a front elevational view thereof in the opened position.

The broken lines depict environmental subject matter only and form no part of the claimed design. The oblique short lines in FIGS. 1, 3, 8 and 9 are intended to illustrate that the surface is translucent.

1 Claim, 5 Drawing Sheets

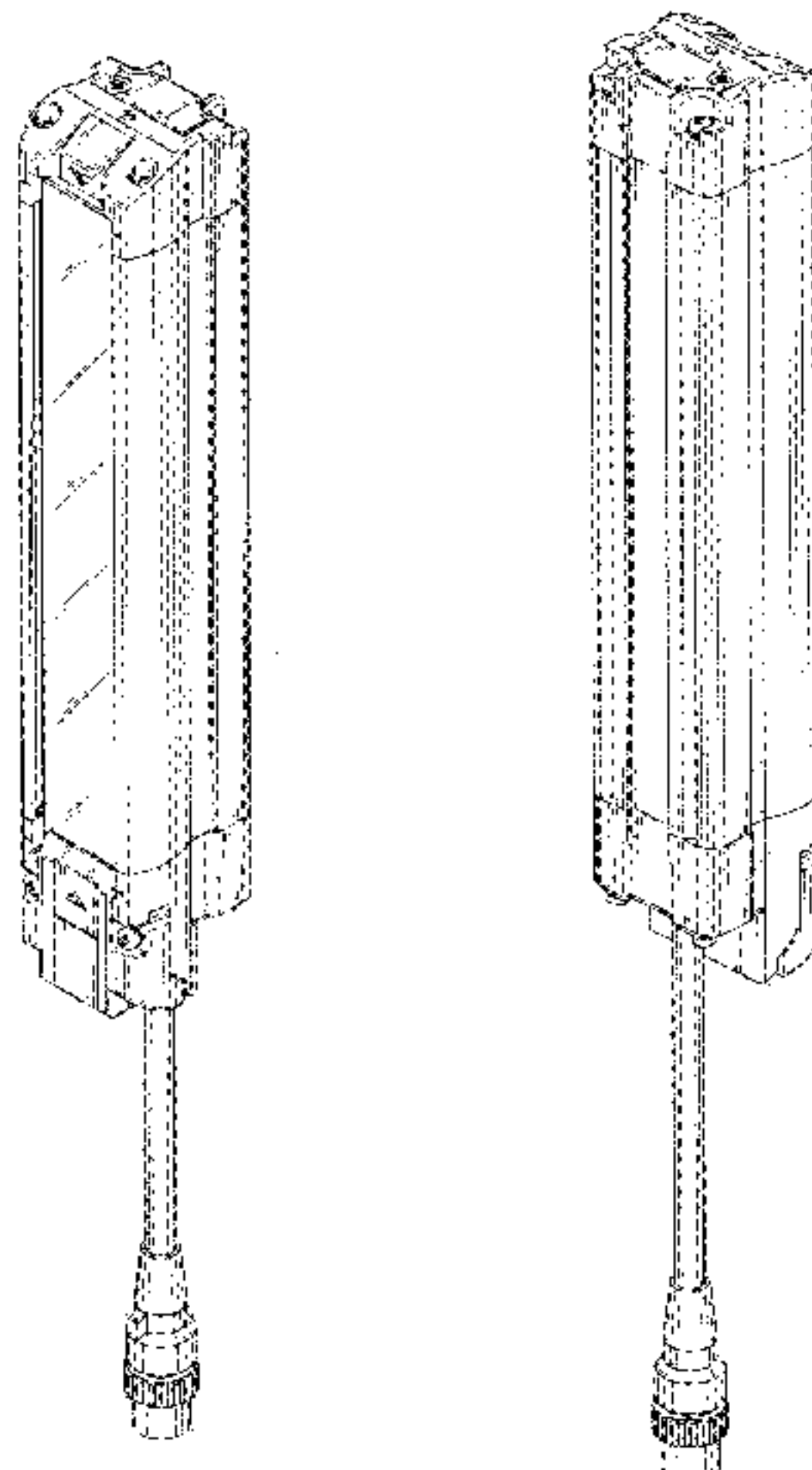


Fig. 1

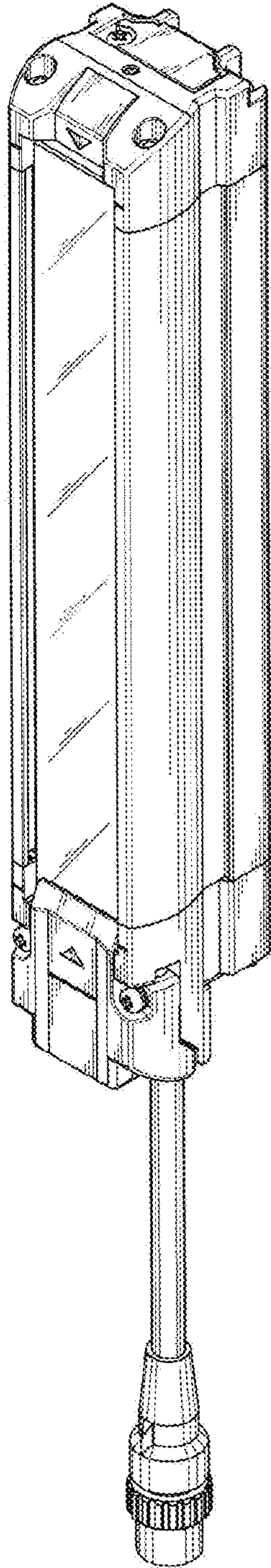


Fig. 2

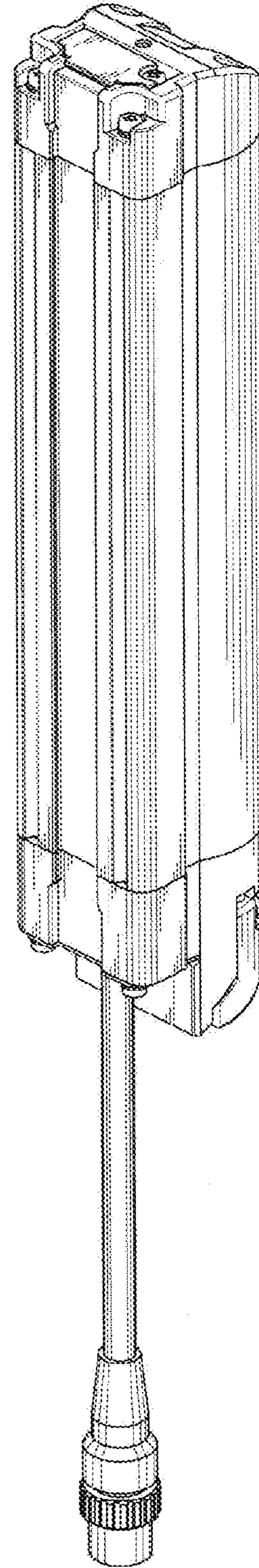


Fig. 3

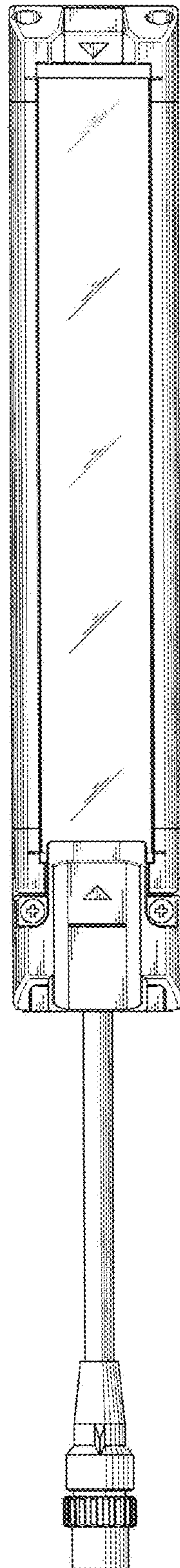


Fig. 4

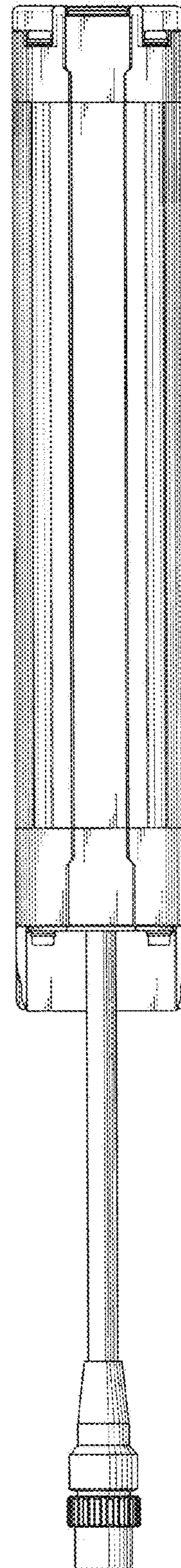


Fig. 5

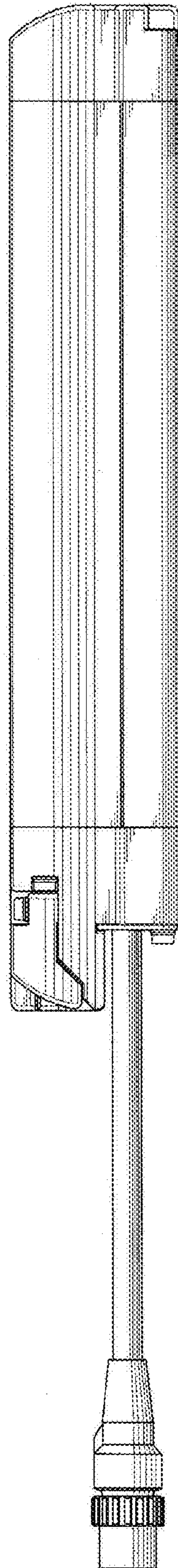


Fig. 6

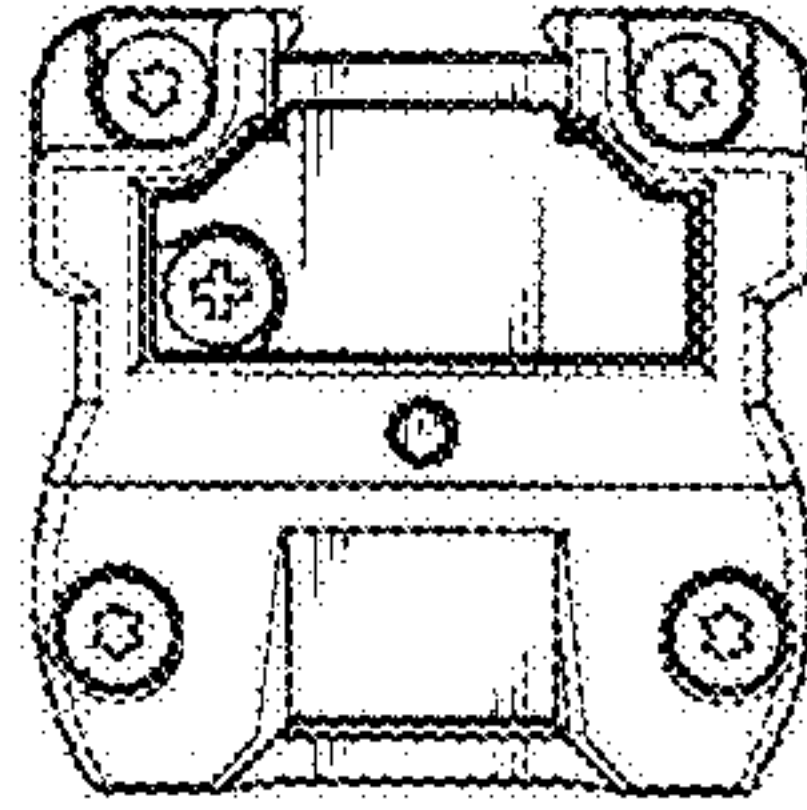


Fig. 7

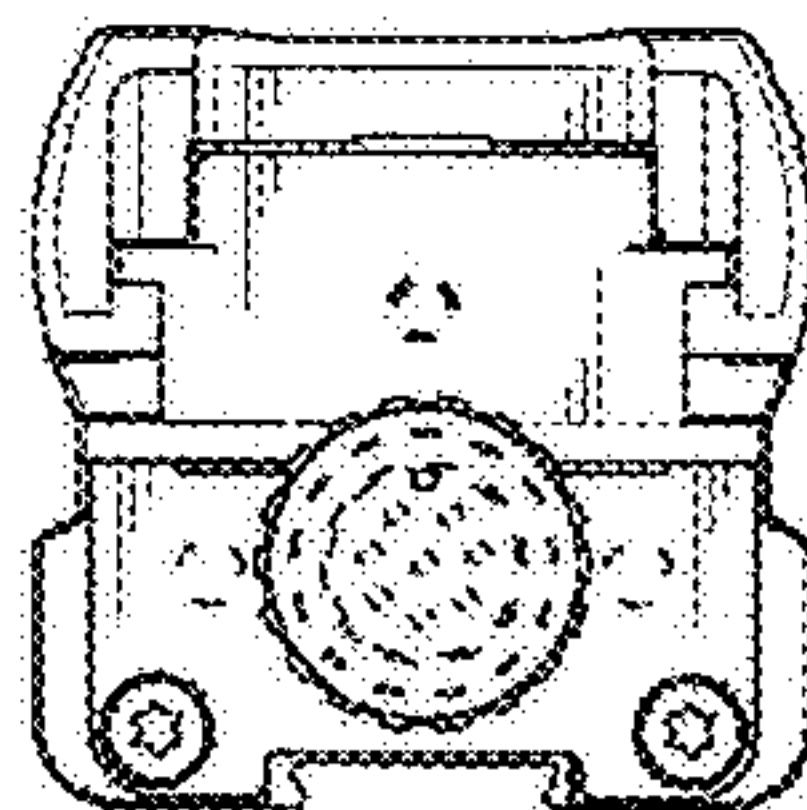


Fig. 8

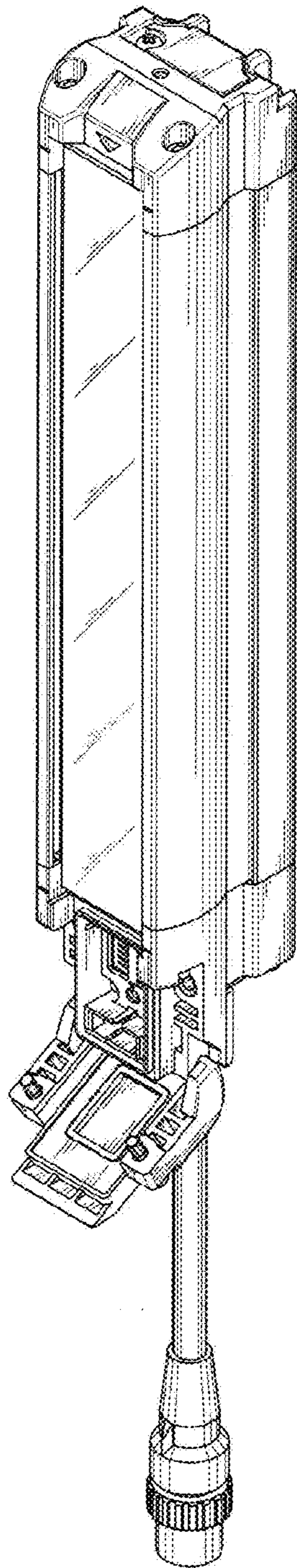


Fig. 9

