



US00D753518S

(12) **United States Design Patent**
Vardi

(10) **Patent No.:** **US D753,518 S**

(45) **Date of Patent:** **** Apr. 12, 2016**

(54) **PRECIOUS STONE SIZE REFERENCE STICK**

(71) Applicant: **Steven Vardi, Inc.**, New York, NY (US)

(72) Inventor: **Steven Vardi**, New York, NY (US)

(73) Assignee: **STEVEN VARDI, INC.**, New York, NY (US)

(**) Term: **14 Years**

(21) Appl. No.: **29/494,636**

(22) Filed: **Jun. 23, 2014**

(51) **LOC (10) Cl.** **10-04**

(52) **U.S. Cl.**
USPC **D10/64; D10/65**

(58) **Field of Classification Search**
USPC D10/64, 65; 33/544.4; 63/12
CPC G01B 5/025; A44C 7/00; A44C 27/00;
A44C 27/001; A44C 27/002; A44C 27/003;
A44C 27/005; A44C 27/006; A44C 27/007;
A44C 27/008

See application file for complete search history.

(56) **References Cited**

U.S. PATENT DOCUMENTS

D341,544 S * 11/1993 Zaslavsky D10/62
7,181,858 B2 * 2/2007 Haug G01B 5/025
33/514.1

* cited by examiner

Primary Examiner — Antoine D Davis

(74) *Attorney, Agent, or Firm* — Tarter Krinsky & Drogin LLP

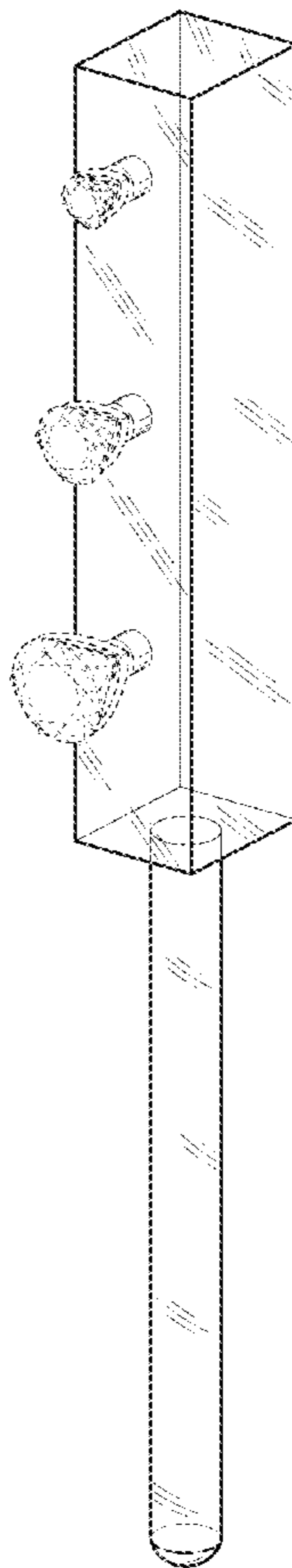
(57) **CLAIM**

The ornamental design for a precious stone size reference stick, as shown and described.

DESCRIPTION

FIG. 1 is a perspective view of a first embodiment of a precious stone size reference stick;
FIG. 2 is a front view thereof;
FIG. 3 is a rear view thereof;
FIG. 4 is a first side view thereof;
FIG. 5 is a second side view thereof;
FIG. 6 is a top view thereof; and,
FIG. 7 is a bottom view thereof.
The broken lines shown in the drawings are for illustrative purposes only and form no part of the claimed design.

1 Claim, 2 Drawing Sheets



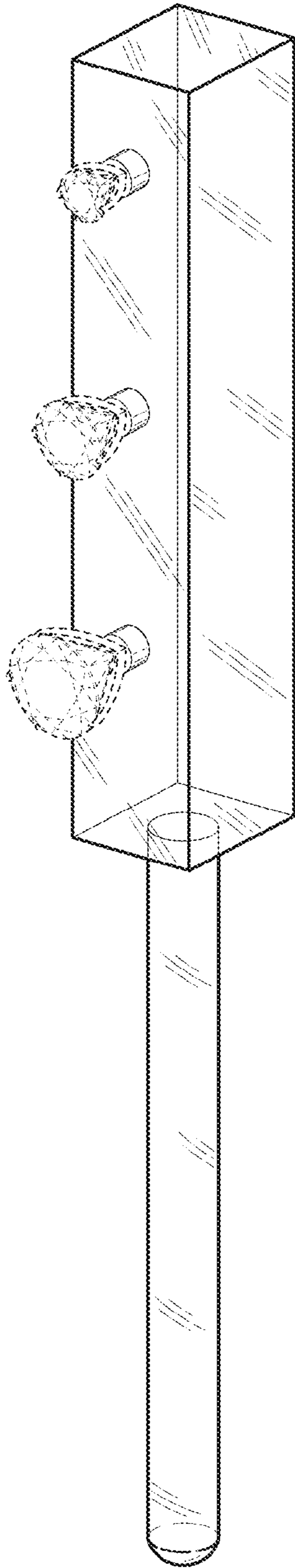


FIG. 1

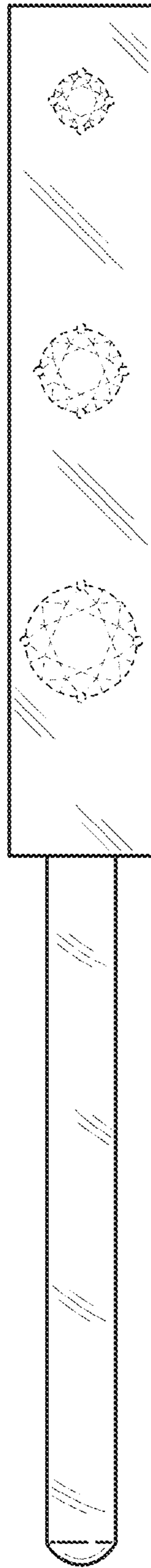


FIG. 2

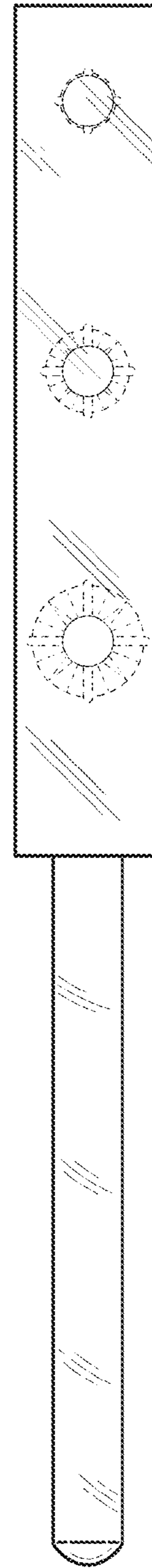


FIG. 3

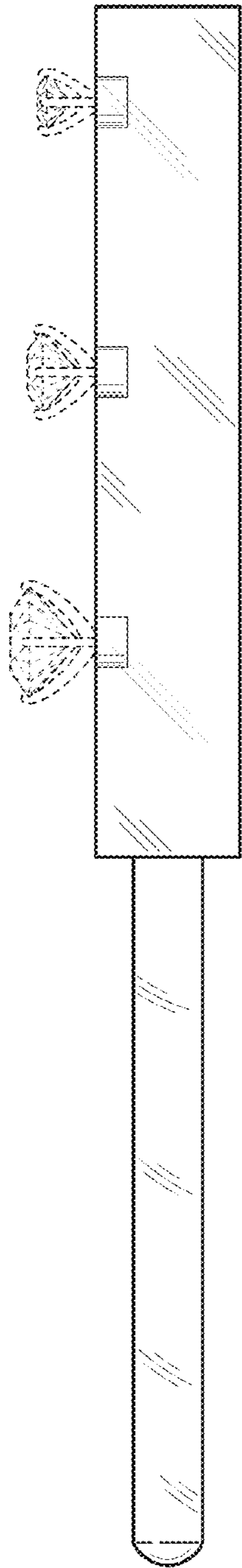


FIG. 4

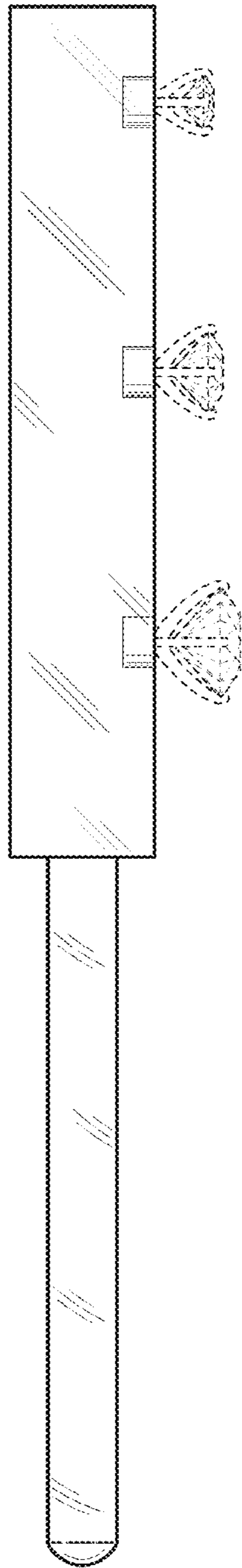


FIG. 5

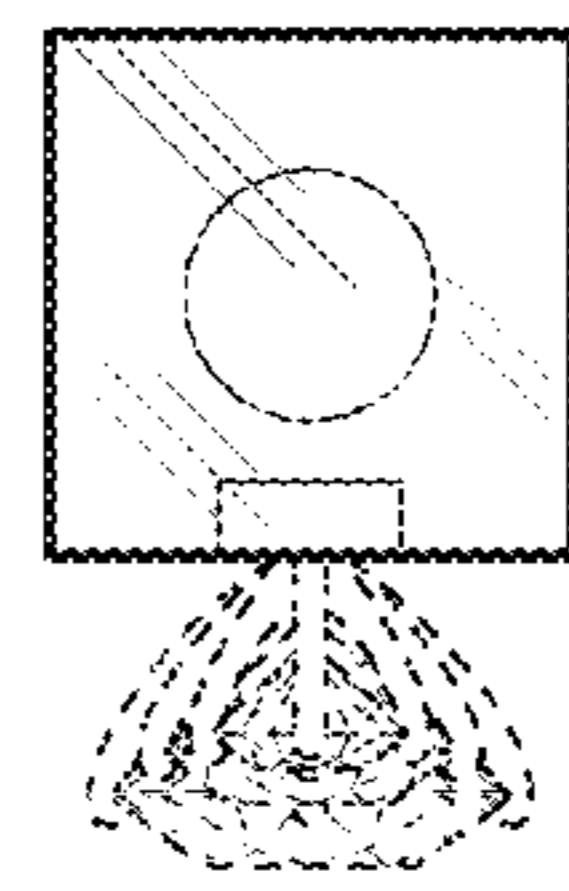


FIG. 6

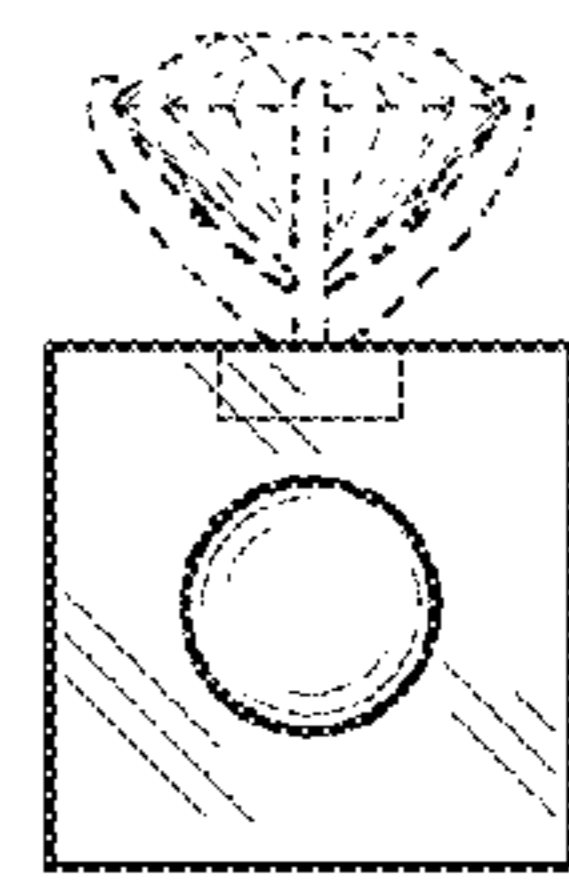


FIG. 7