



US00D753516S

(12) **United States Design Patent**
Le Gall

(10) **Patent No.:** **US D753,516 S**
(45) **Date of Patent:** **** Apr. 12, 2016**

(54) **DOSIMETRIC HELMET**

(71) Applicant: **INSTITUT DE RADIOPROTECTION
ET DE SURETE NUCLEAIRE,**
Fontenay-aux-Roses (FR)

(72) Inventor: **Mathieu Le Gall, Bailly (FR)**

(73) Assignee: **INSTITUT DE RADIOPROTECTION
ET DE SURETE NUCLEAIRE,**
Fontenay-aux-Roses (FR)

(**) Term: **14 Years**

(21) Appl. No.: **29/498,637**

(22) Filed: **Aug. 6, 2014**

(30) **Foreign Application Priority Data**

Feb. 6, 2014 (EM) 001402184-0001

(51) **LOC (10) Cl.** **10-04**

(52) **U.S. Cl.**
USPC **D10/47; D24/186; D24/158**

(58) **Field of Classification Search**
USPC **D24/158-161, 185, 186, 187, 107;
D10/46, 47**

CPC **G01T 1/00; G01T 1/02; G01T 1/15;
G01T 1/026; G01T 1/24**

See application file for complete search history.

(56) **References Cited**

U.S. PATENT DOCUMENTS

D287,828	S *	1/1987	Pollock	D10/47
6,614,025	B2 *	9/2003	Thomson	G01T 11/026 250/370.01
D526,063	S *	8/2006	Widener	D24/186
D533,472	S *	12/2006	Widener	D10/47
D669,373	S *	10/2012	Genet-Jegard	D10/47
2012/0018652	A1 *	1/2012	Yoder	G01T 1/115 250/484.2

* cited by examiner

Primary Examiner — Anhdao Doan

(74) *Attorney, Agent, or Firm* — Millen, White, Zelano & Branigan, P.C.

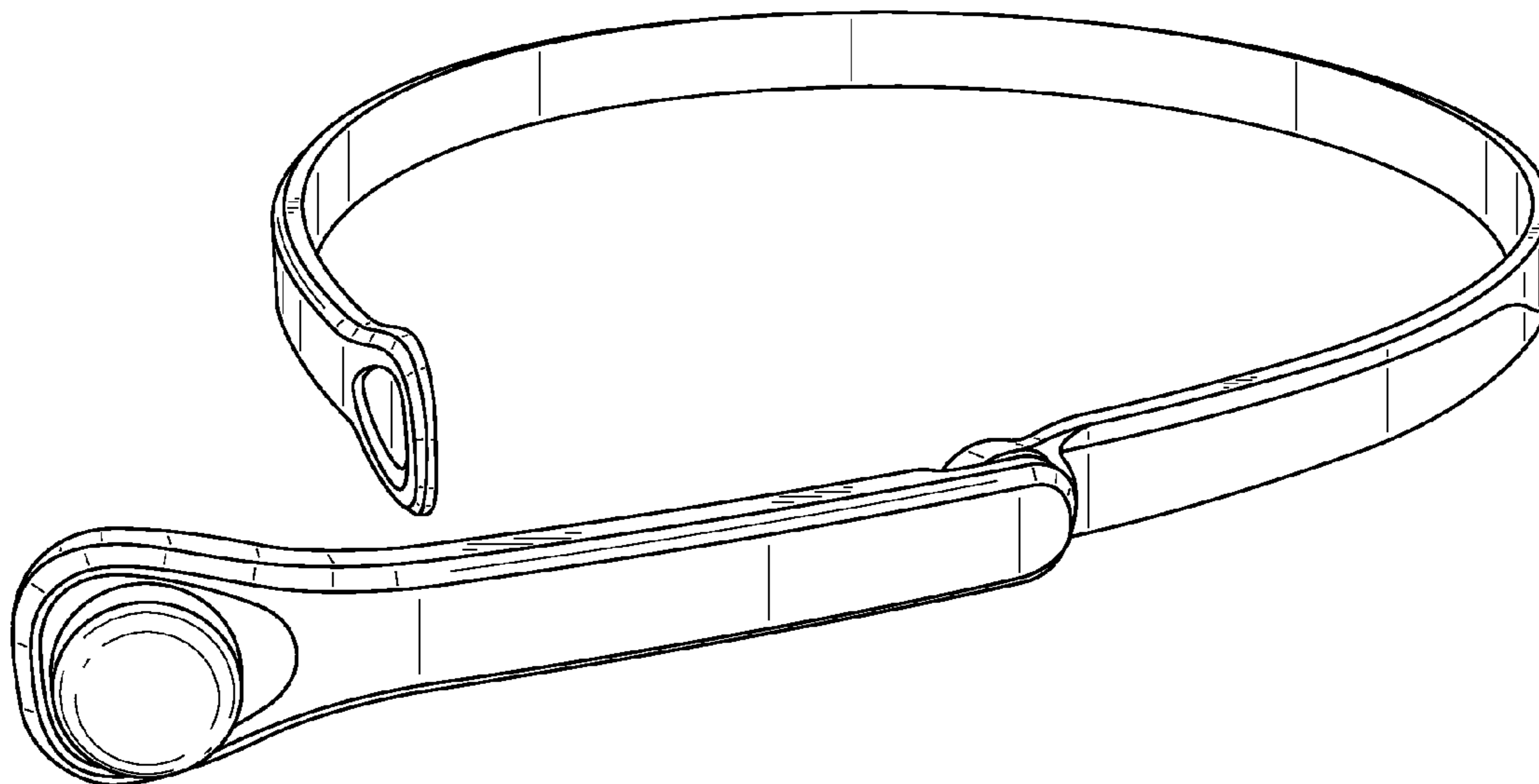
(57) **CLAIM**

The ornamental design for a dosimetric helmet, as shown and described.

DESCRIPTION

FIG. 1 is a front view of an embodiment of the dosimetric helmet with a removable arm attached;
FIG. 2 is a front view of the dosimetric helmet with the removable arm detached;
FIG. 3 is a right side view of the dosimetric helmet with a removable arm attached;
FIG. 4 is a right side view of the dosimetric helmet with the removable arm detached;
FIG. 5 is a top view of the dosimetric helmet with a removable arm attached; and,
FIG. 6 is a top view of the dosimetric helmet with the removable arm detached.

1 Claim, 6 Drawing Sheets



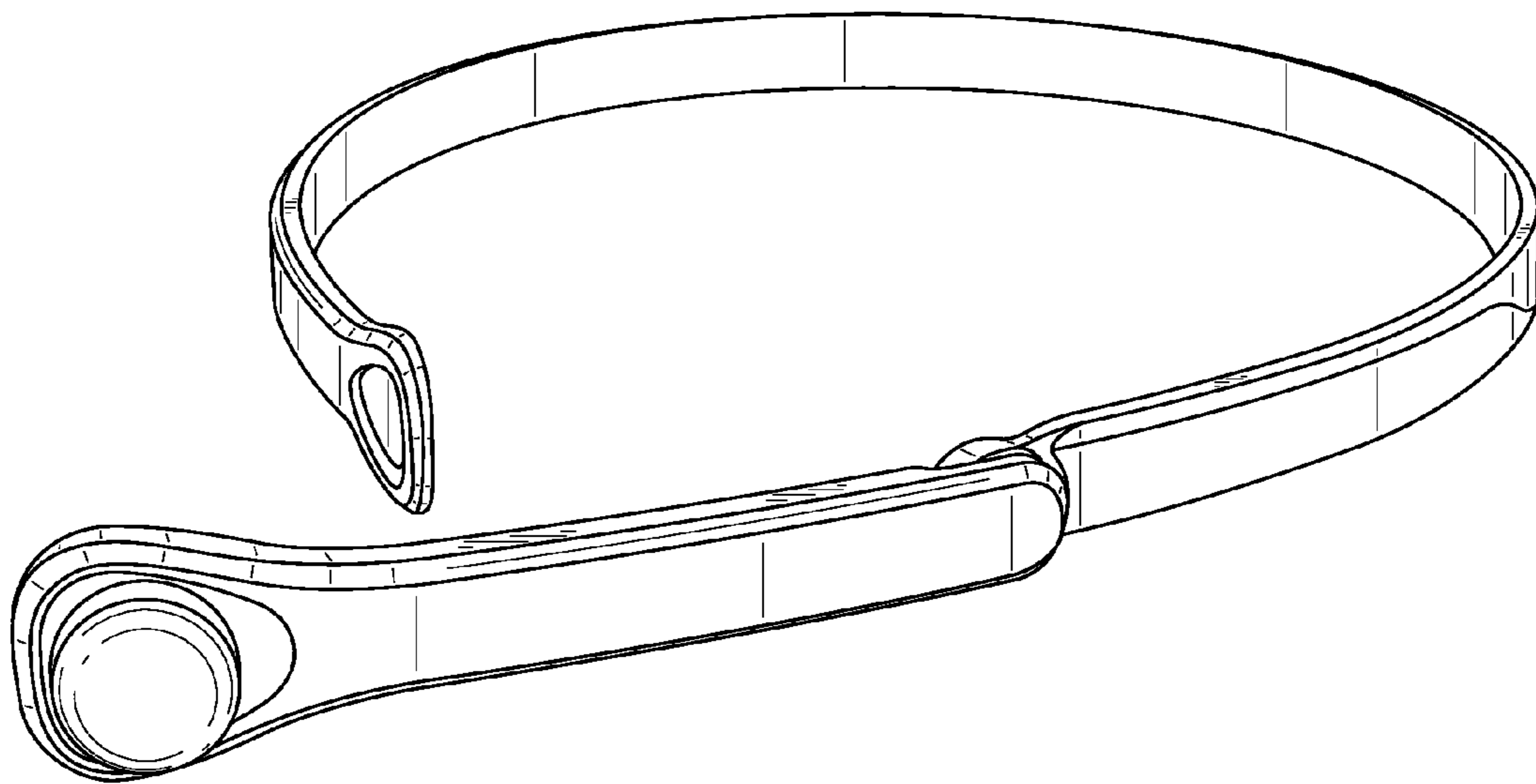


FIG. 1

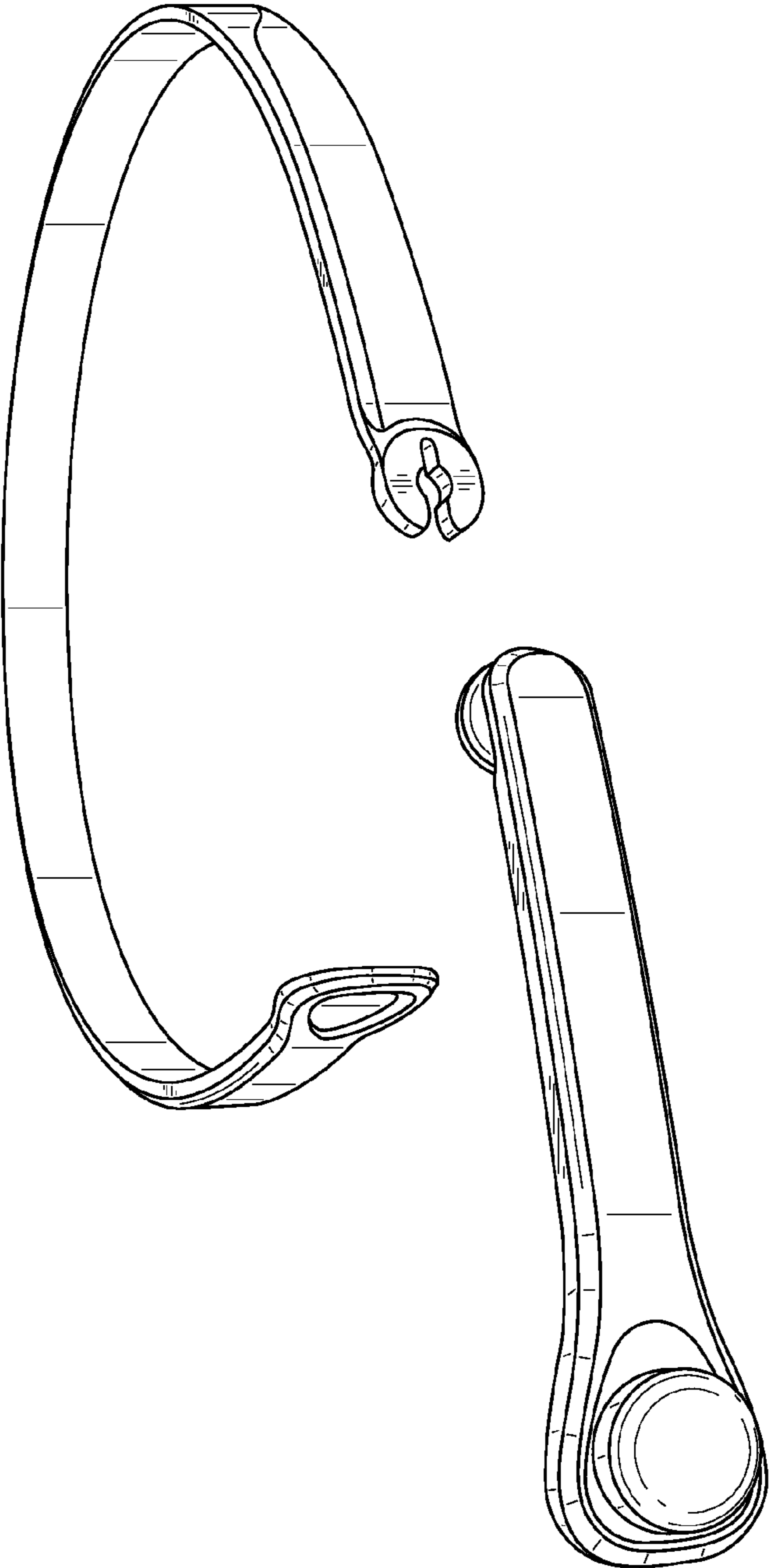


FIG.2

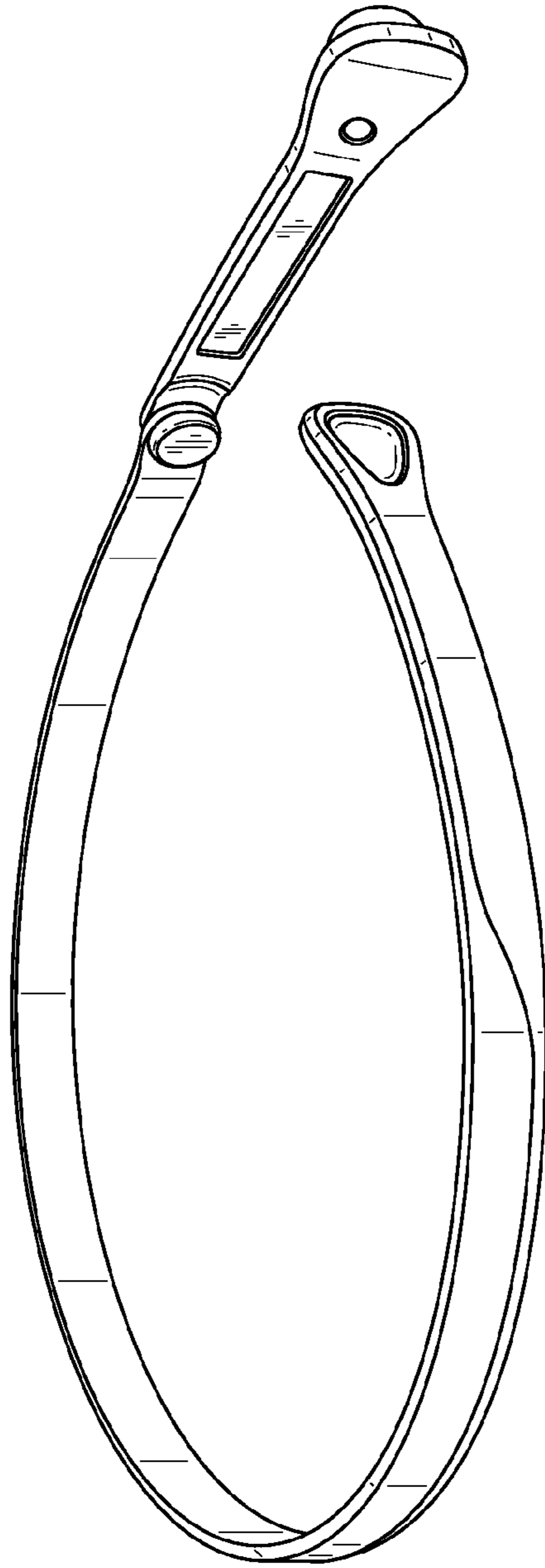


FIG.3

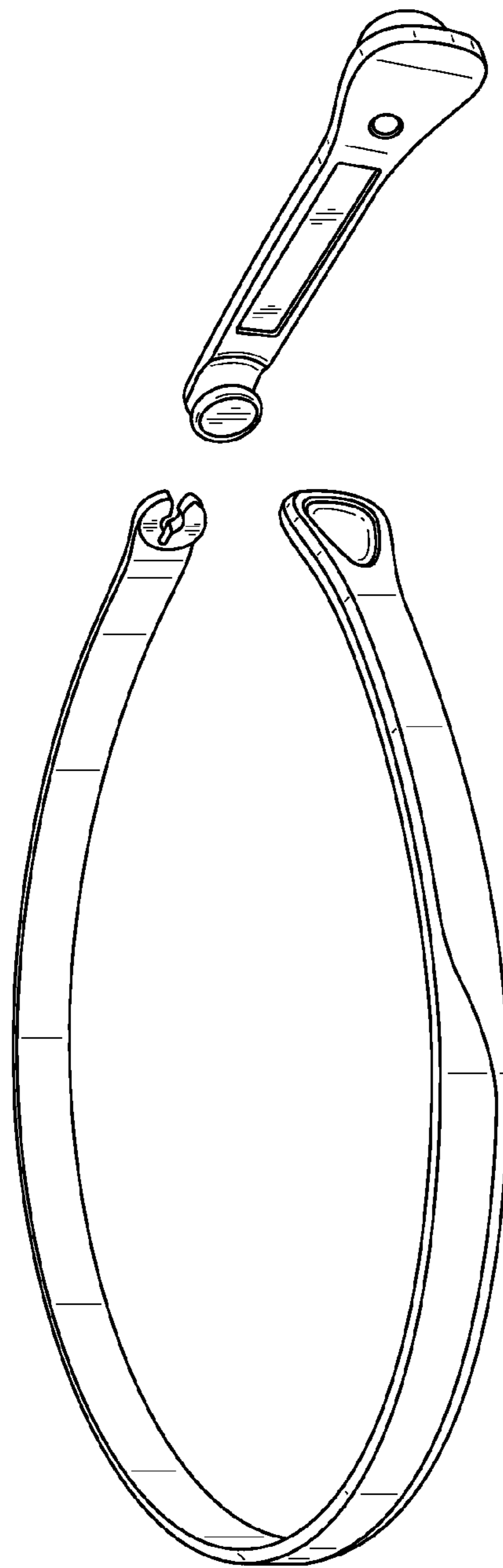


FIG.4

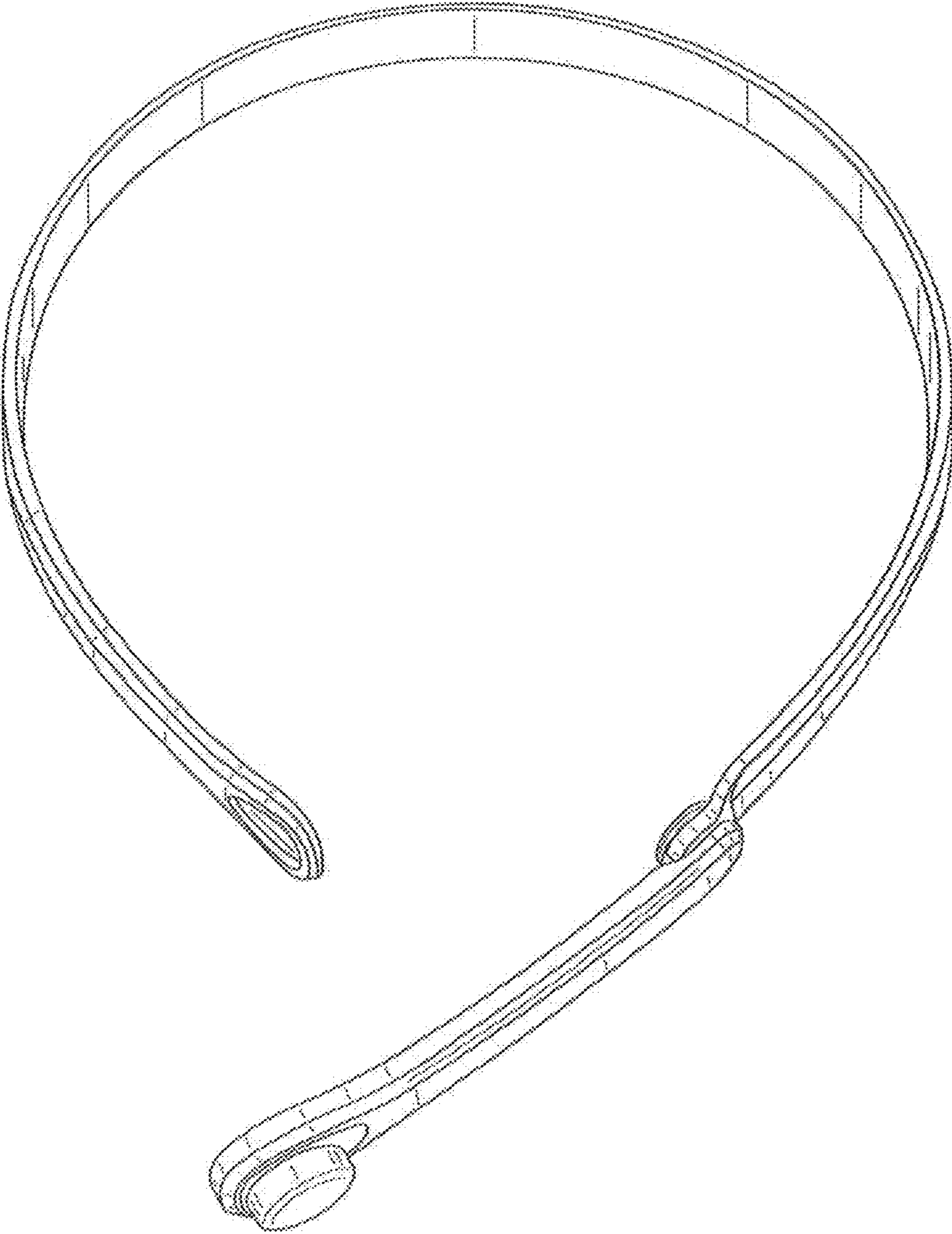


FIG.5

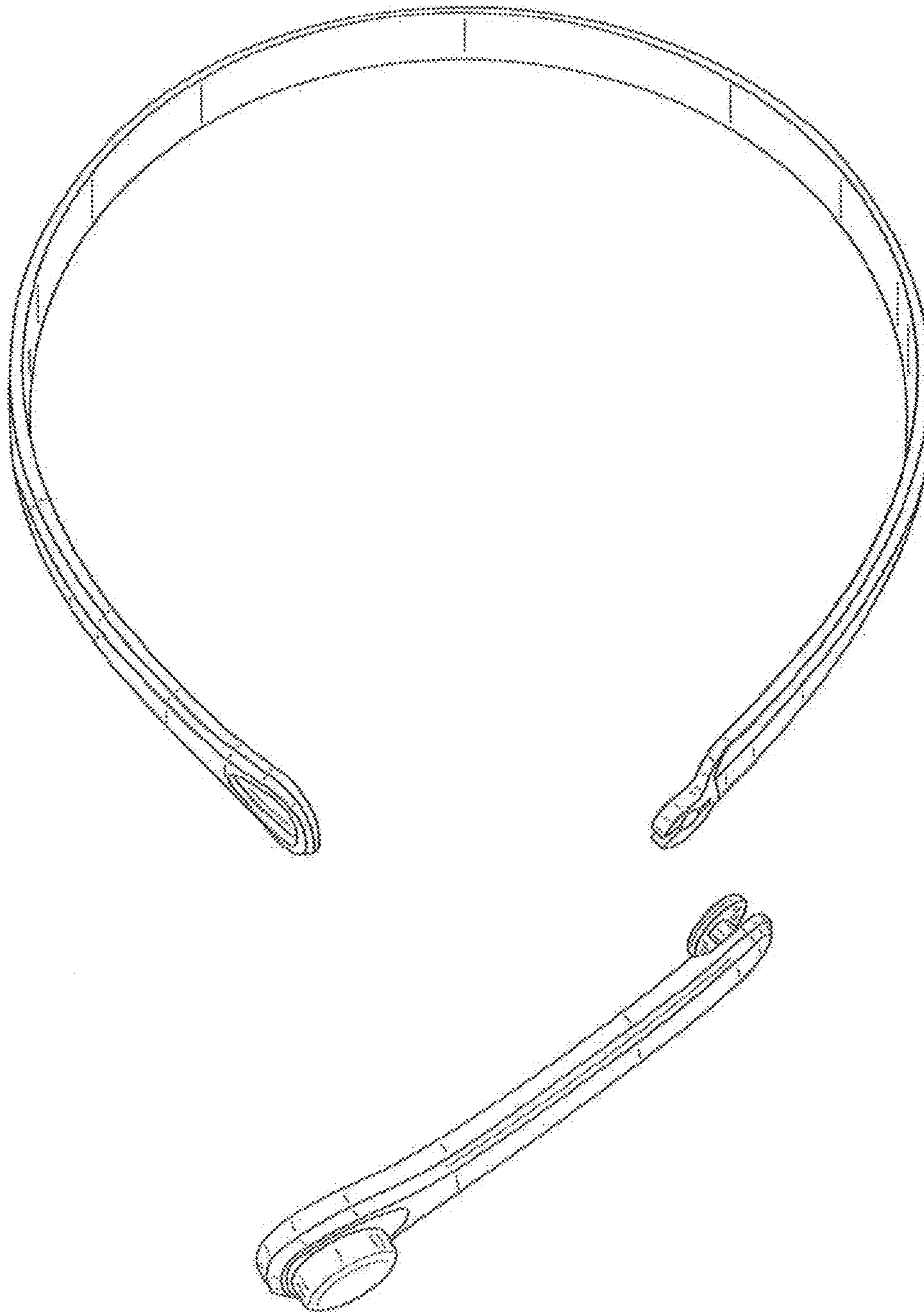


FIG.6