



US00D753515S

(12) **United States Design Patent**  
**Logue**

(10) **Patent No.:** **US D753,515 S**  
(45) **Date of Patent:** **\*\* Apr. 12, 2016**

(54) **MEASURING CAP**

(71) Applicant: **LOGUE & CO. PTY, AS TRUSTEE FOR A.T. & L.M. LOGUE FAMILY TRUST**, Yowie Bay (AU)

(72) Inventor: **Anthony Thomas Logue**, Yowie Bay (AU)

(73) Assignee: **LOGUE & CO. PTY, AS TRUSTEES FOR A.T. & L.M. LOGUE FAMILY TRUST**, Yowie Bay (AU)

(\*\*) Term: **14 Years**

(21) Appl. No.: **29/485,976**

(22) Filed: **Mar. 25, 2014**

(30) **Foreign Application Priority Data**

Sep. 26, 2013 (AU) ..... 14999/2013  
Oct. 23, 2013 (AU) ..... 15449/2013

(51) **LOC (10) Cl.** ..... **10-04**

(52) **U.S. Cl.**  
USPC ..... **D10/46.2**

(58) **Field of Classification Search**

USPC ..... D10/46.2, 46, 46.3, 52, 60, 66, 103;  
D7/589, 300, 665, 387, 397, 302, 303,  
D7/316, 510, 312, 317; D9/439, 440, 447,  
D9/452-454; D24/197, 224; 220/665;  
222/566, 562, 158, 205; 141/381;  
73/426-429; 422/908, 910, 912, 527,  
422/556, 547; 215/17, 277, 214, 18, 21, 25,  
215/45  
CPC ..... B65D 39/00; B65D 41/16; B65D 41/58;  
B65D 47/06; B65D 47/068

See application file for complete search history.

(56) **References Cited**

**U.S. PATENT DOCUMENTS**

D301,007 S \* 5/1989 Laski ..... D7/378  
5,377,879 A \* 1/1995 Isaacs ..... A61J 7/0023  
222/192

(Continued)

*Primary Examiner* — Eric Goodman  
*Assistant Examiner* — Clese Moore, Jr.

(74) *Attorney, Agent, or Firm* — Sughrue Mion, PLLC

(57) **CLAIM**

The ornamental design for a measuring cap, as shown and described.

**DESCRIPTION**

FIG. 1 is a front perspective view of a first exemplary embodiment of my design;

FIG. 2 is a front view thereof;

FIG. 3 is rear view thereof;

FIG. 4 is right side view thereof;

FIG. 5 is left side view thereof;

FIG. 6 is top view thereof;

FIG. 7 is bottom view thereof;

FIG. 8 is a front perspective view of a second exemplary embodiment of my design;

FIG. 9 is a front view thereof;

FIG. 10 is rear view thereof;

FIG. 11 is right side view thereof;

FIG. 12 is left side view thereof;

FIG. 13 is top view thereof; and

FIG. 14 is bottom view thereof.

FIG. 15 is a front perspective view of a third exemplary embodiment of my design;

FIG. 16 is a front view thereof;

FIG. 17 is rear view thereof;

FIG. 18 is right side view thereof;

FIG. 19 is left side view thereof;

FIG. 20 is top view thereof;

FIG. 21 is bottom view thereof;

FIG. 22 is a front perspective view of a fourth exemplary embodiment of my design;

FIG. 23 is a front view thereof;

FIG. 24 is rear view thereof;

FIG. 25 is right side view thereof;

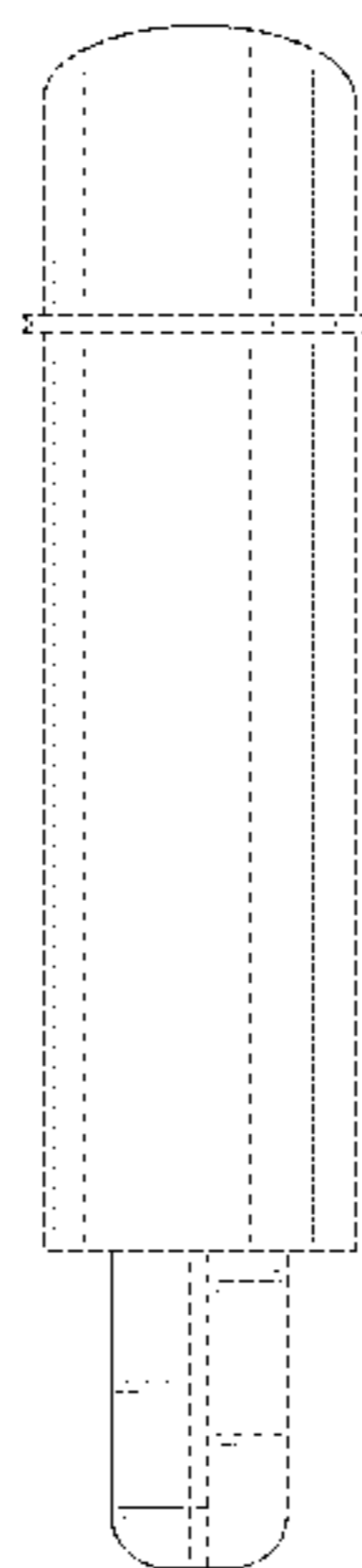
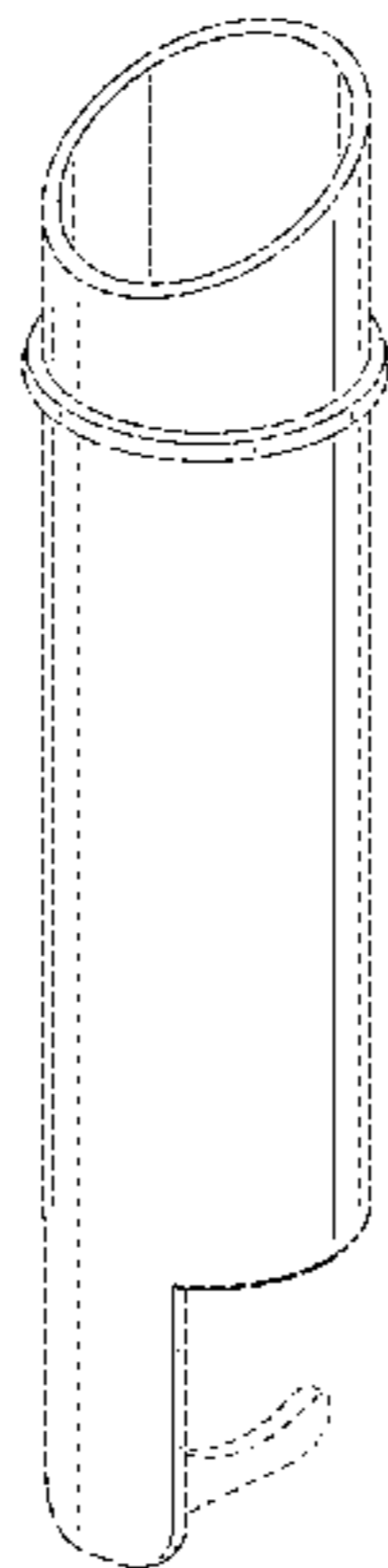
FIG. 26 is a left side view thereof.

FIG. 27 is top view thereof; and,

FIG. 28 is bottom view thereof.

The broken lines shown in the drawings represent portions of the measuring cap which form no part of the claimed design.

**1 Claim, 16 Drawing Sheets**



(56)

**References Cited**

U.S. PATENT DOCUMENTS

D360,580 S *	7/1995	Bomareto	.....	D9/447	D661,939 S *	6/2012	Kern	.....	D7/316
D366,840 S *	2/1996	Schagerstrom	.....	D10/46.2	D670,578 S *	11/2012	Perry	.....	D10/46.2
D368,856 S *	4/1996	Peay	.....	D9/447	D678,791 S *	3/2013	Ford	.....	D10/103
D418,417 S *	1/2000	Hollinger	.....	D9/440	D683,184 S *	5/2013	Lin	.....	D7/316
D421,908 S *	3/2000	Abrams	.....	D9/440	D690,596 S *	10/2013	Logue	.....	D9/447
D534,818 S *	1/2007	Schoen	.....	D10/46	D695,416 S *	12/2013	Saliaris	.....	D24/224
D579,259 S *	10/2008	Venier	.....	D7/316	D707,502 S *	6/2014	Alavian	.....	D7/665
D647,210 S *	10/2011	Wilkinson	.....	D24/224	D720,241 S *	12/2014	Logue	.....	D10/46.2
D654,384 S *	2/2012	McDonald	.....	D10/66	D720,631 S *	1/2015	Logue	.....	D10/46.2
					D728,297 S *	5/2015	Melzer	.....	D7/300.1
					D729,592 S *	5/2015	Alavian	.....	D7/665
					D735,514 S *	8/2015	Cheung	.....	D7/300

\* cited by examiner

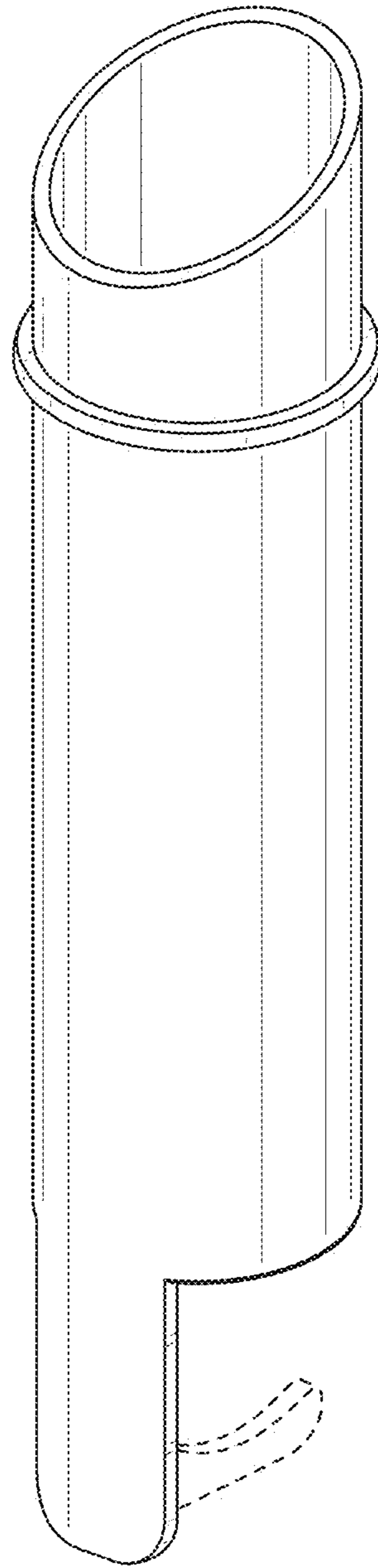


FIG. 1

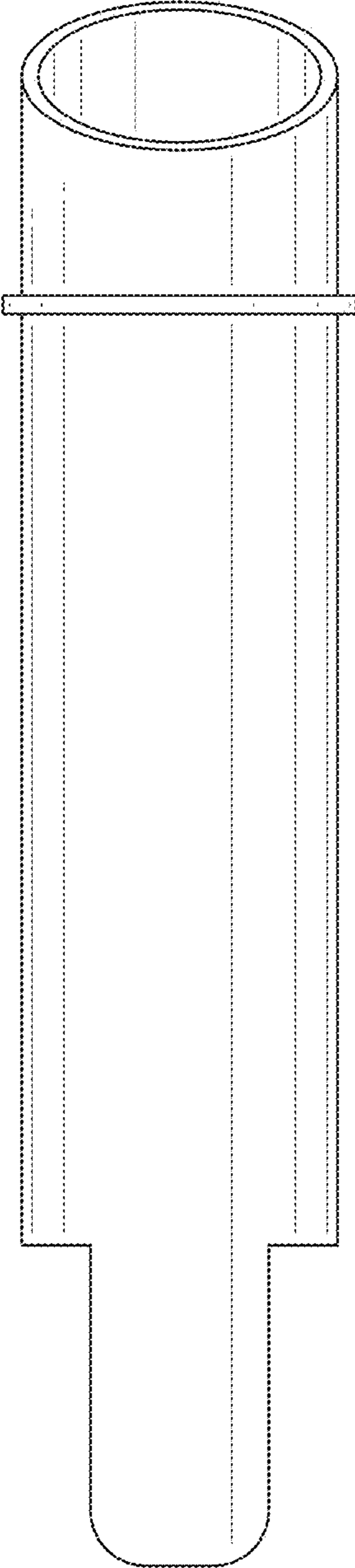


FIG. 2

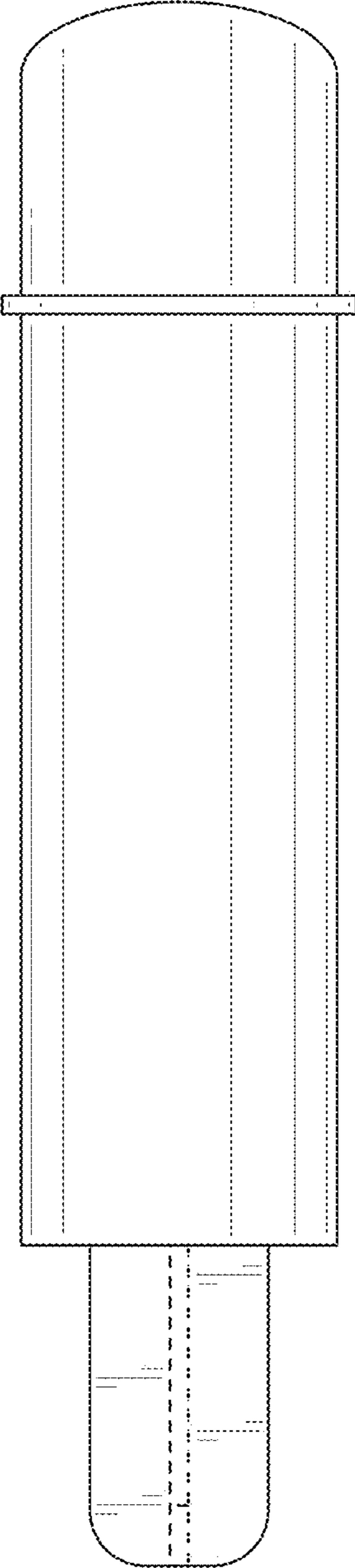


FIG. 3

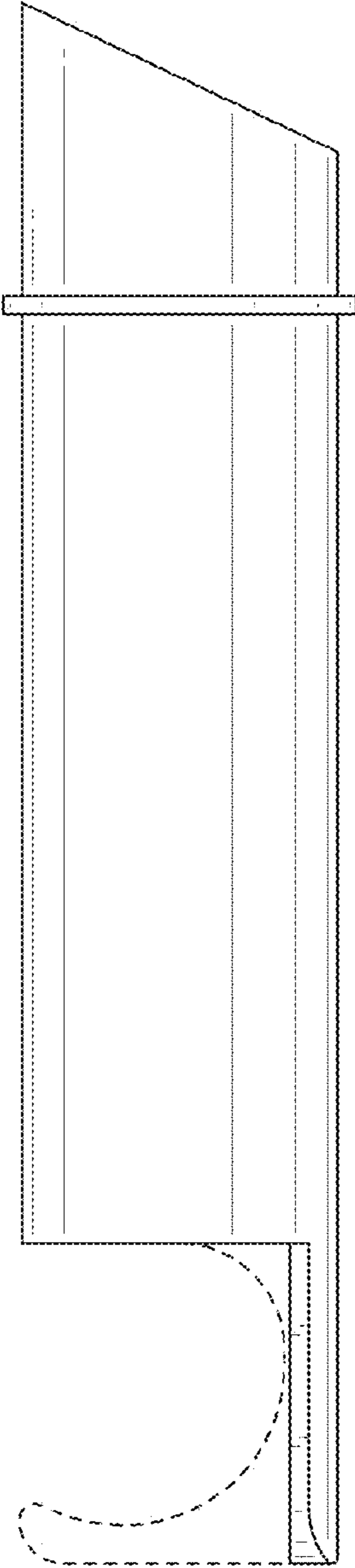


FIG. 4

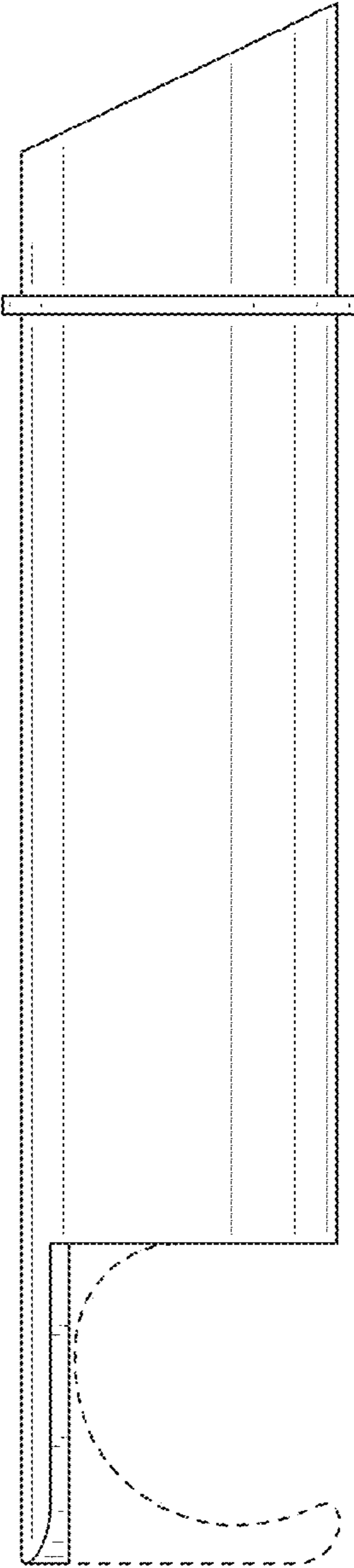


FIG. 5

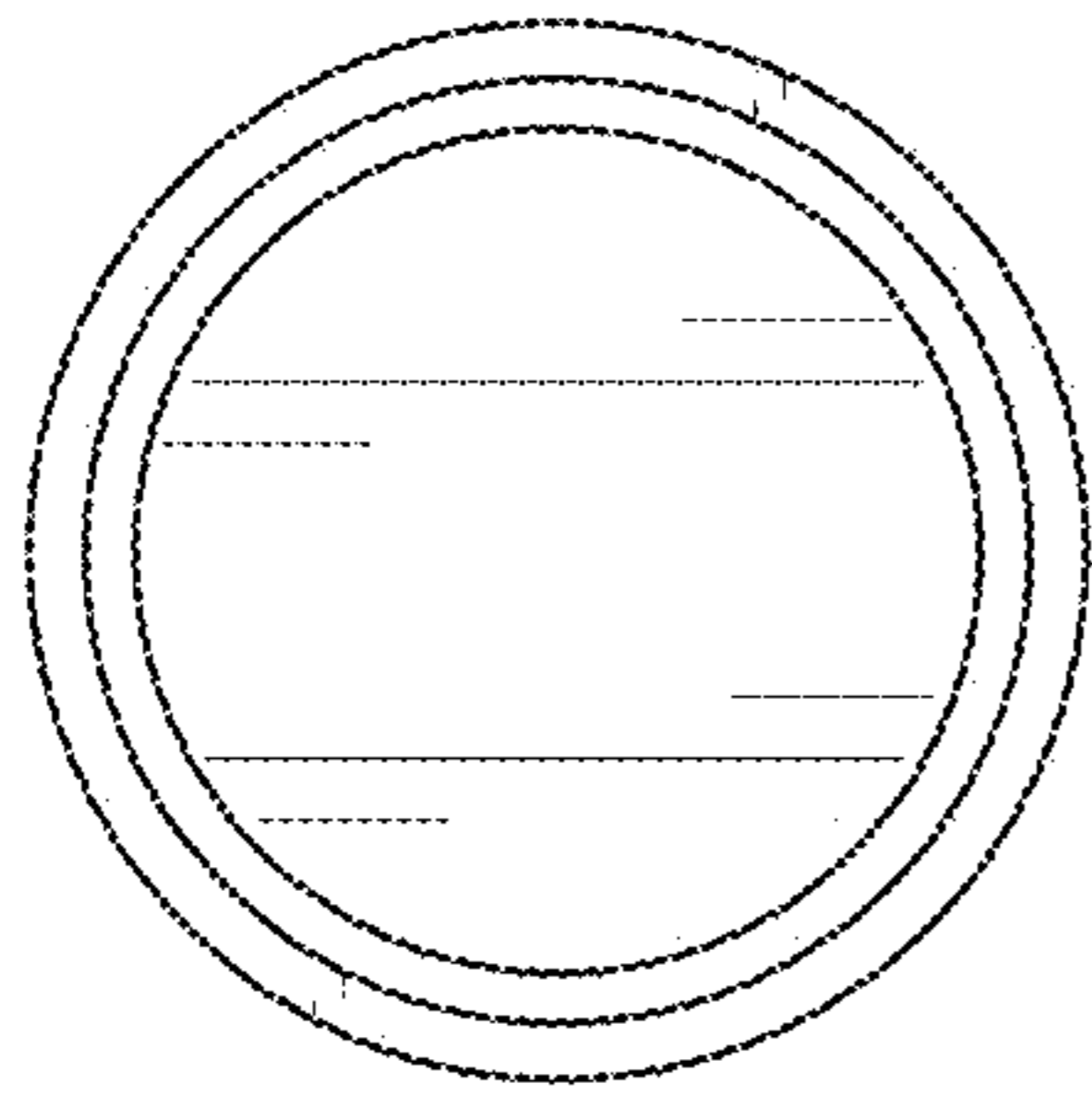


FIG. 6

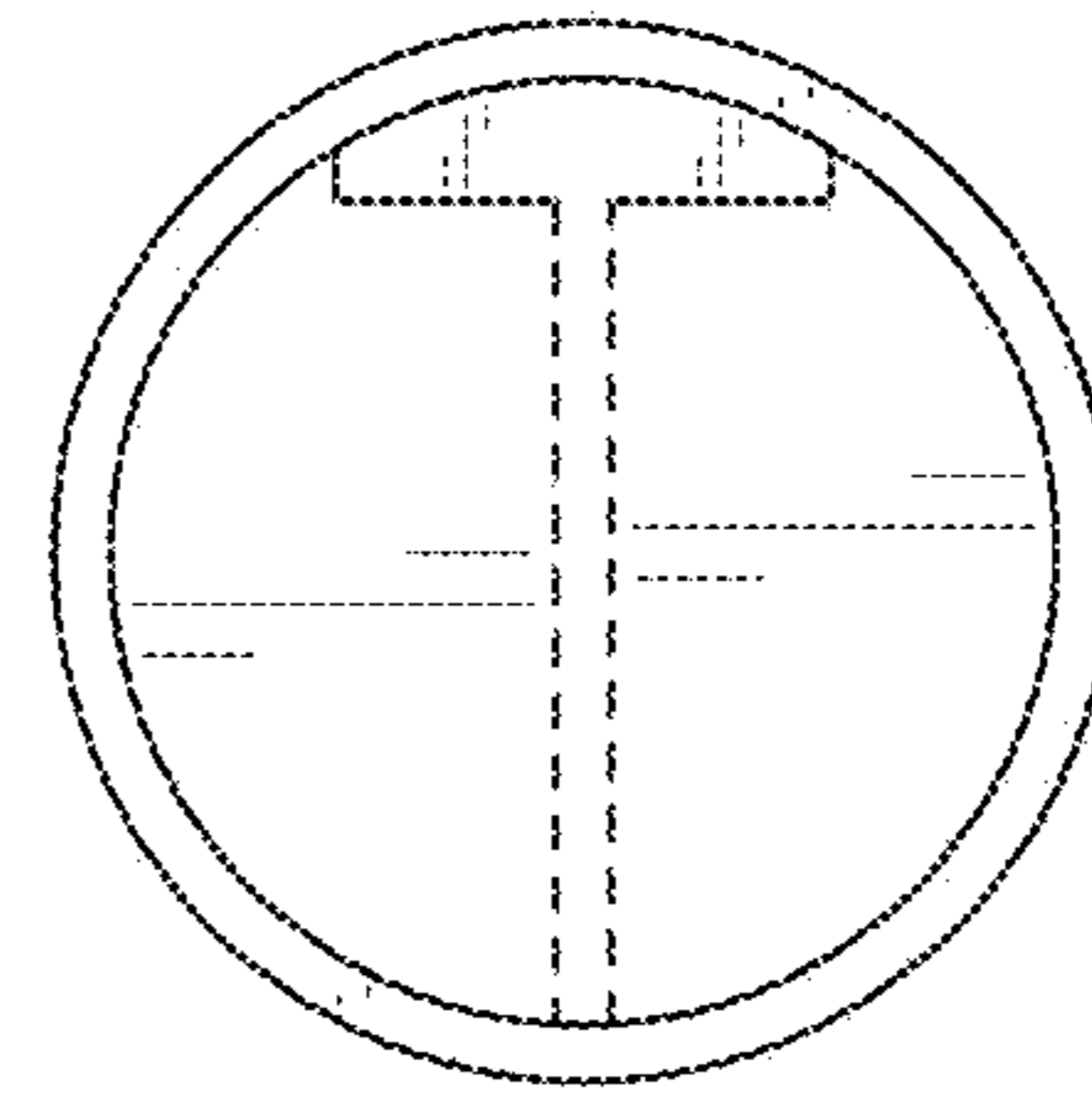


FIG. 7

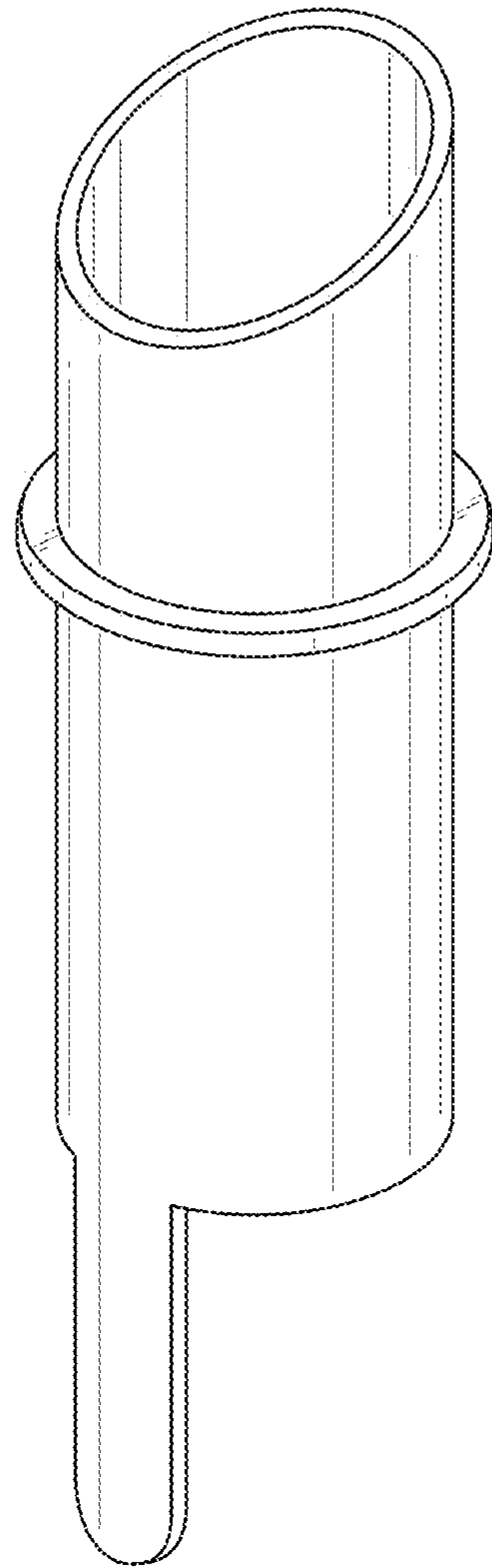


FIG. 8



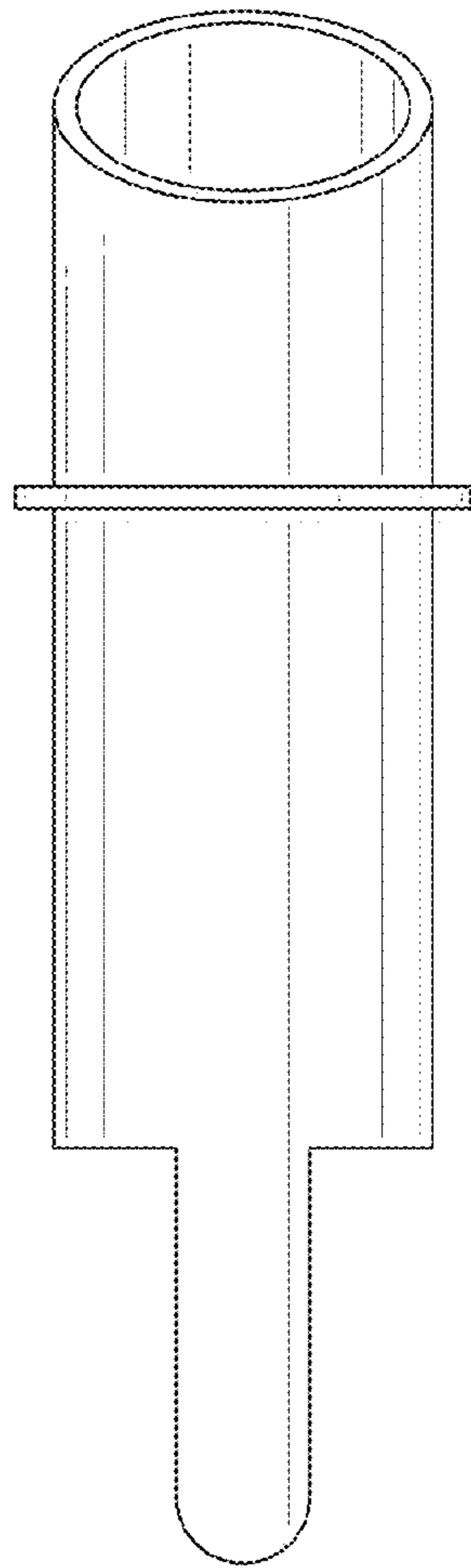


FIG. 9

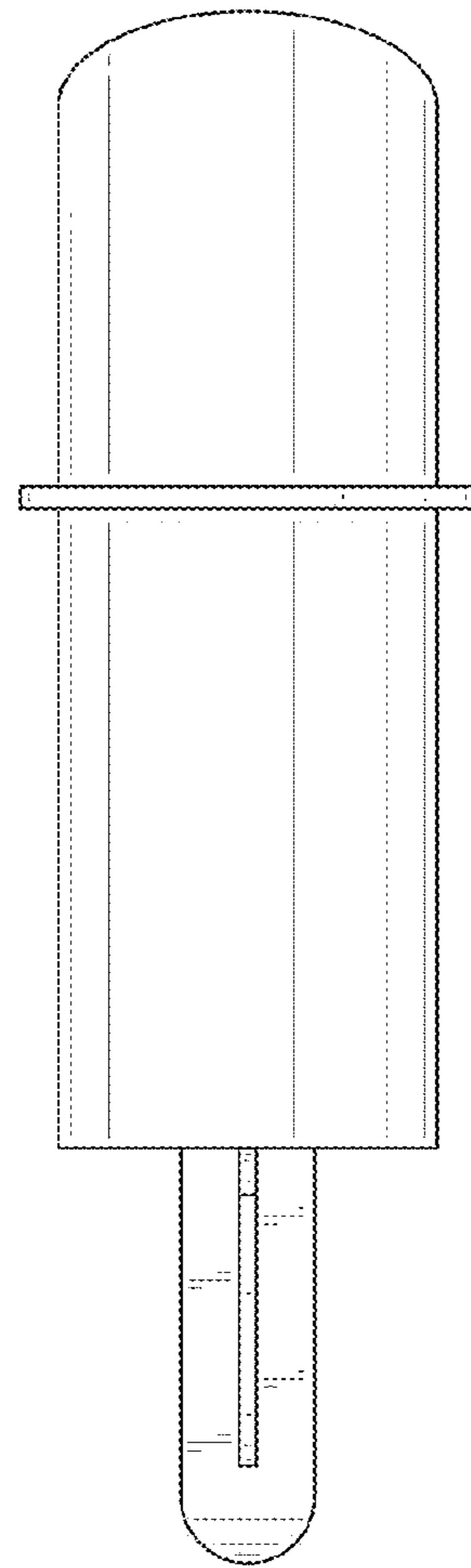


FIG. 10



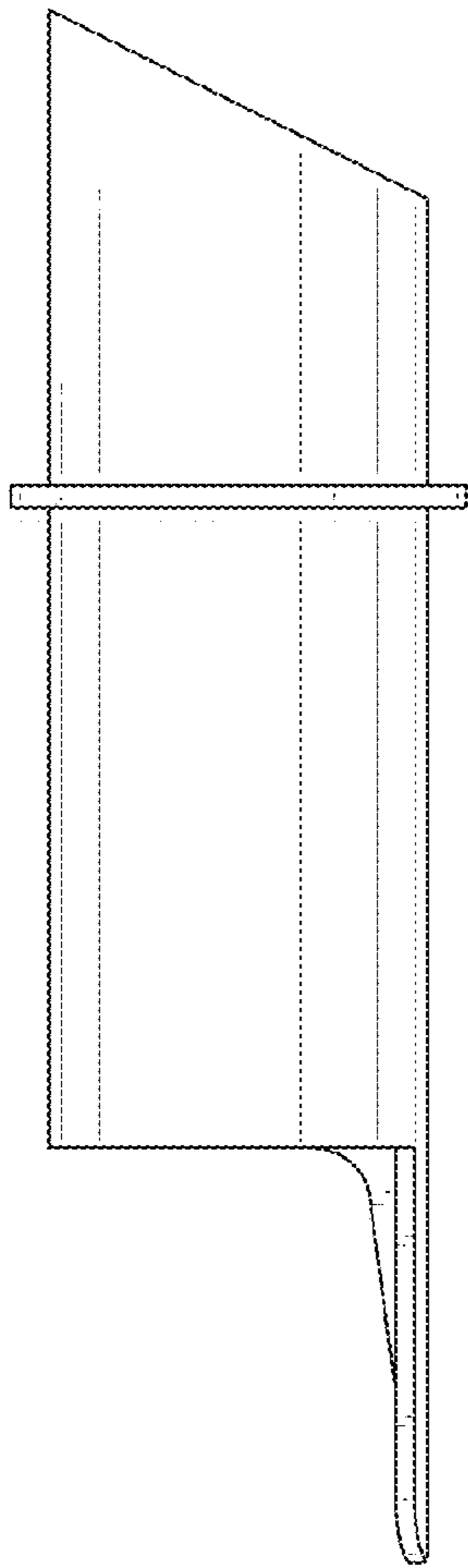


FIG. 11

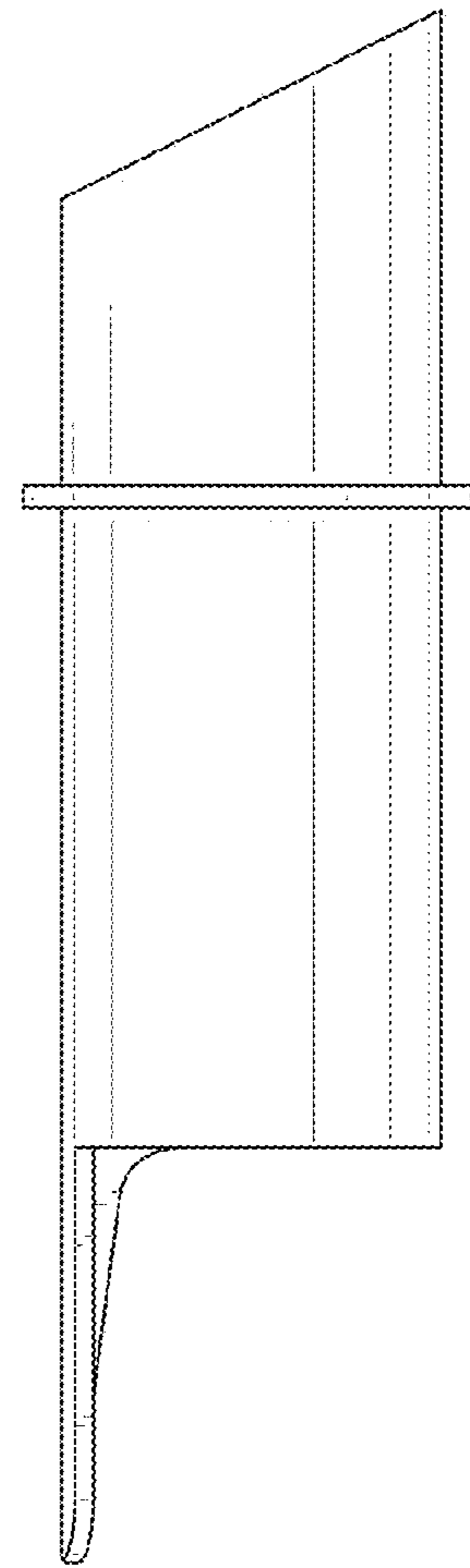


FIG. 12

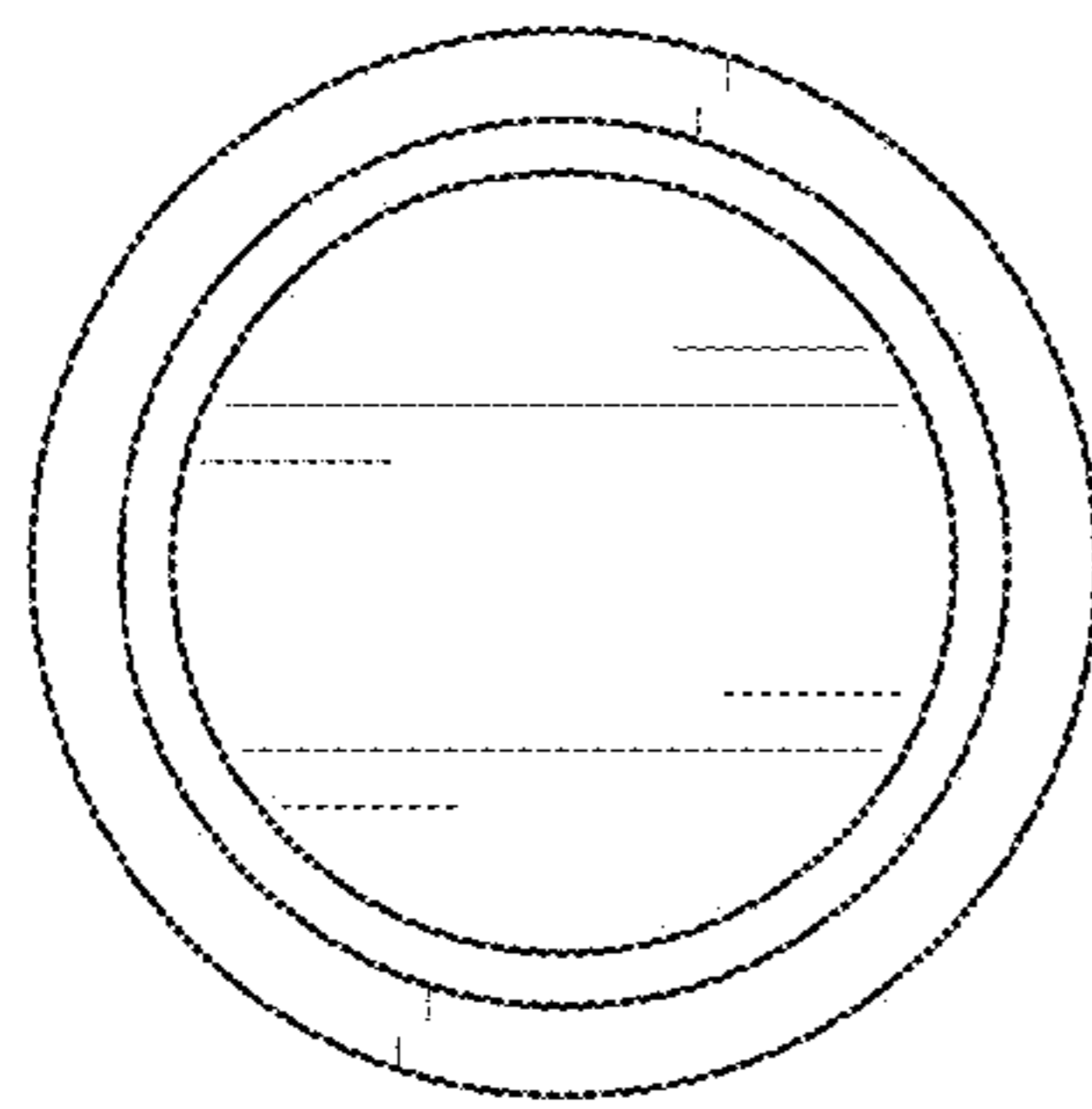


FIG. 13

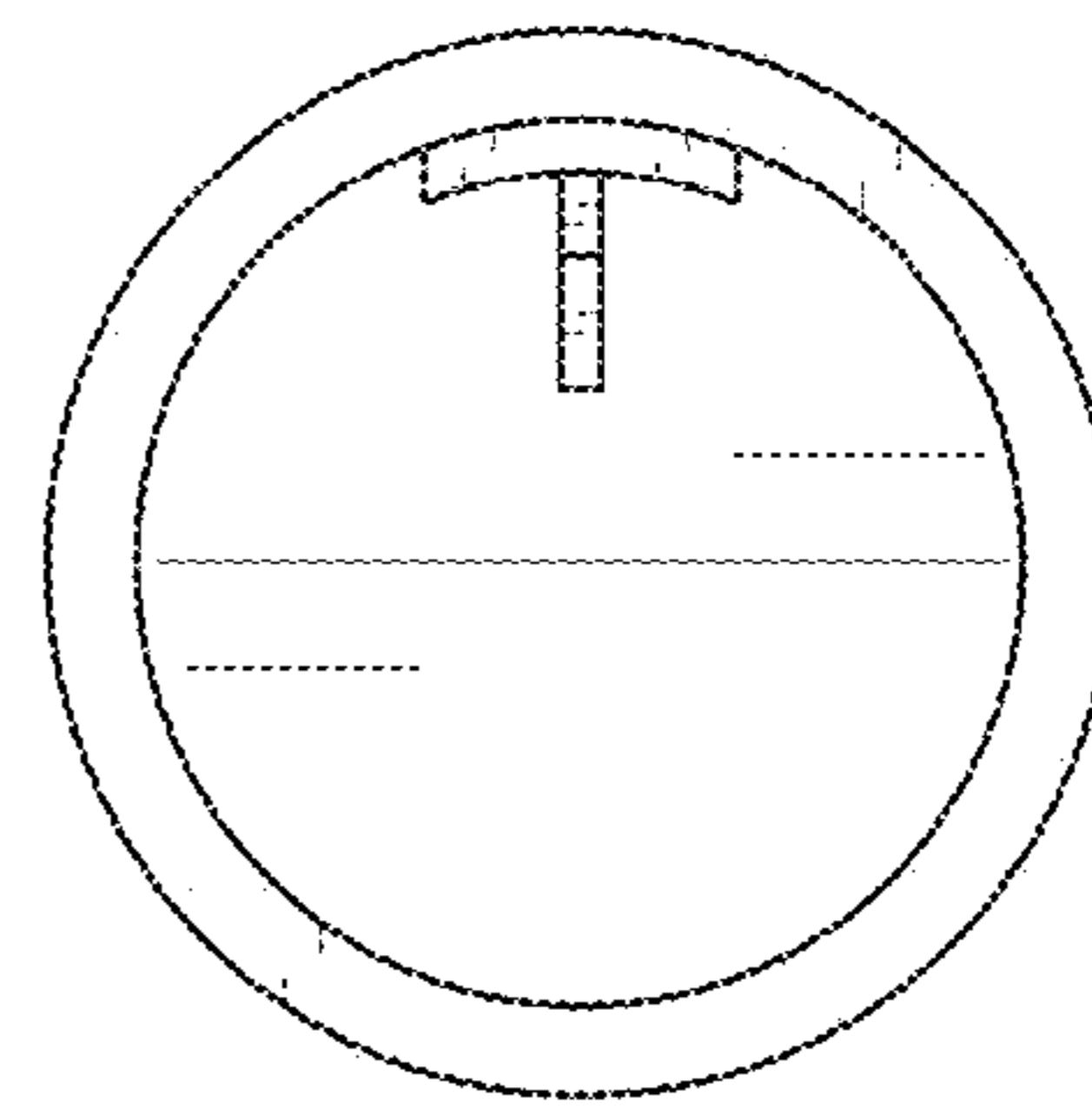


FIG. 14

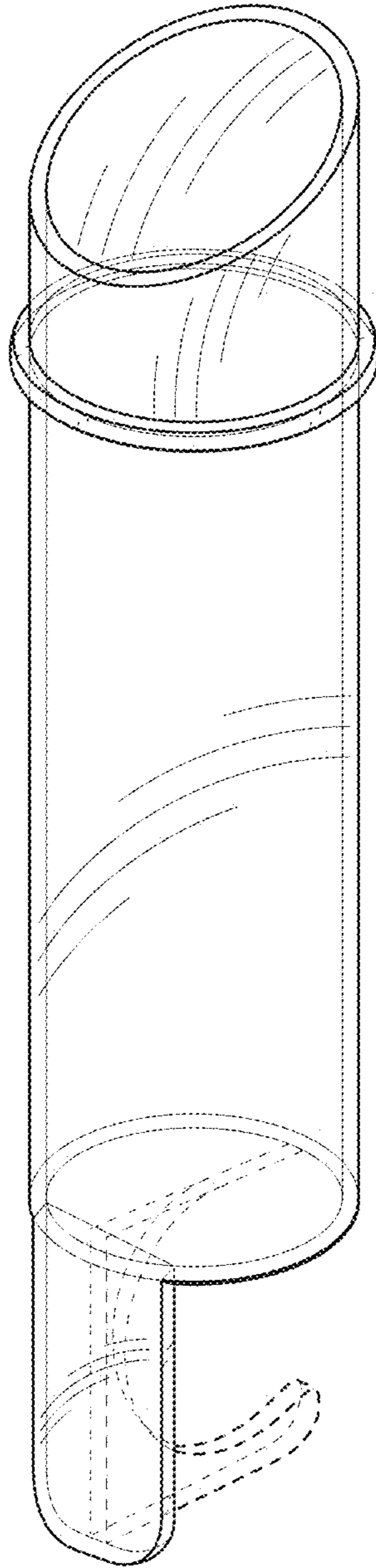


FIG. 15

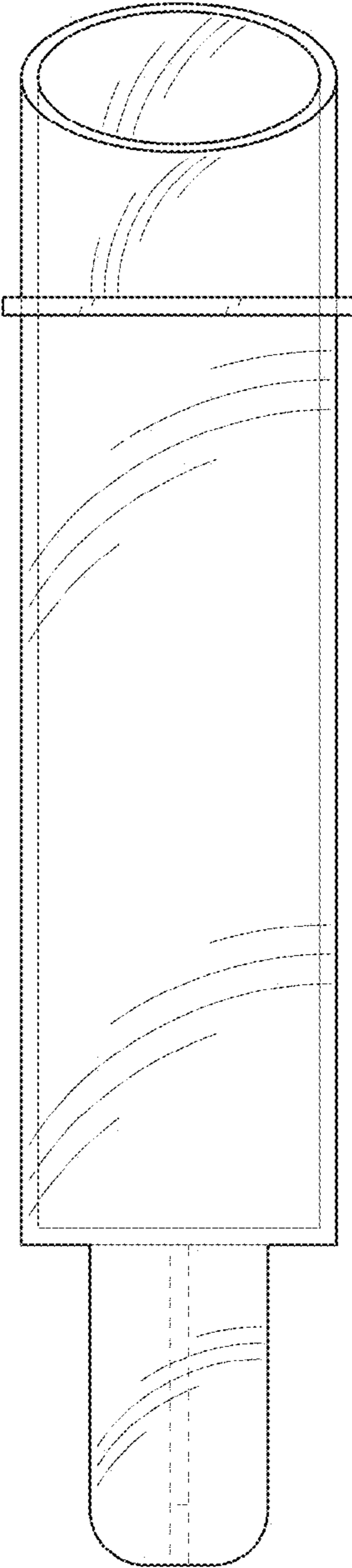


FIG. 16

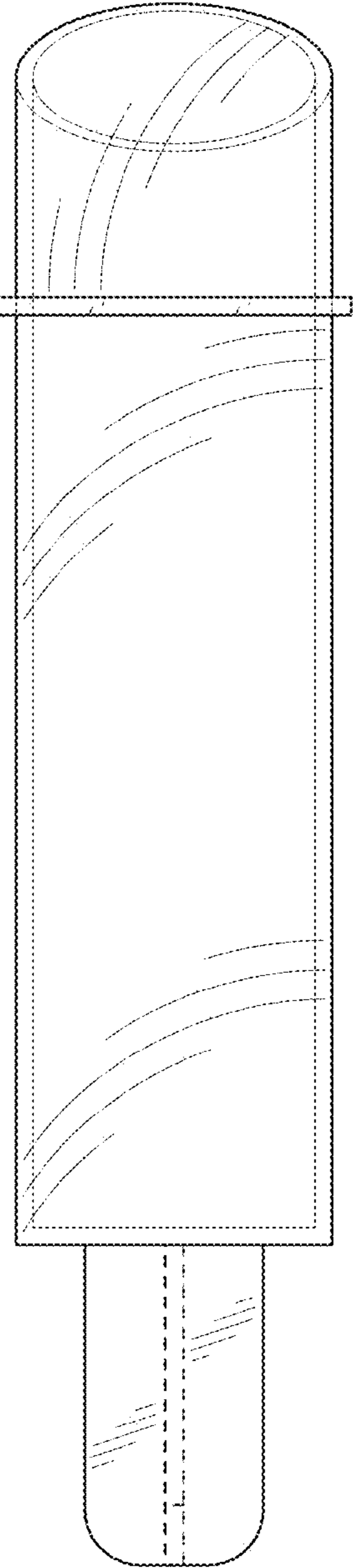


FIG. 17

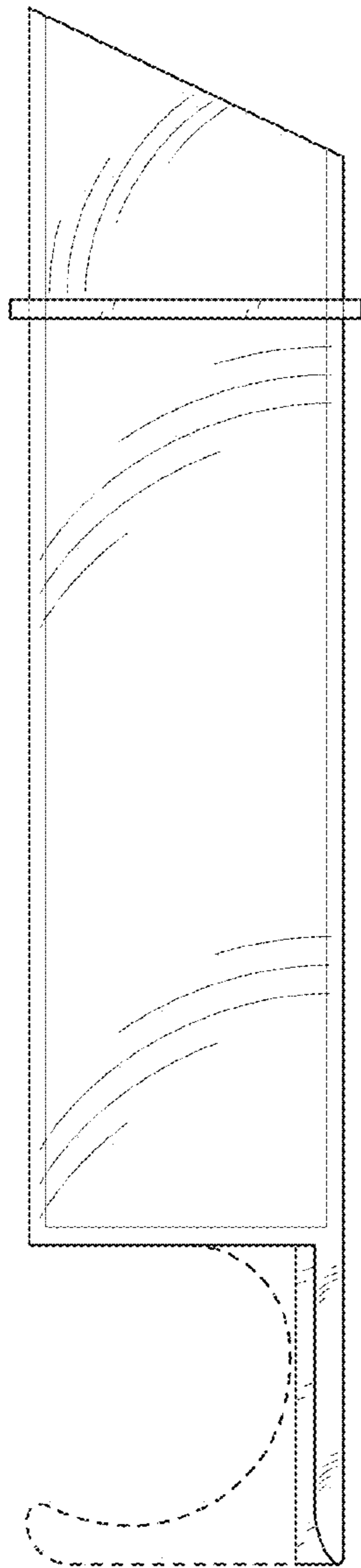


FIG. 18

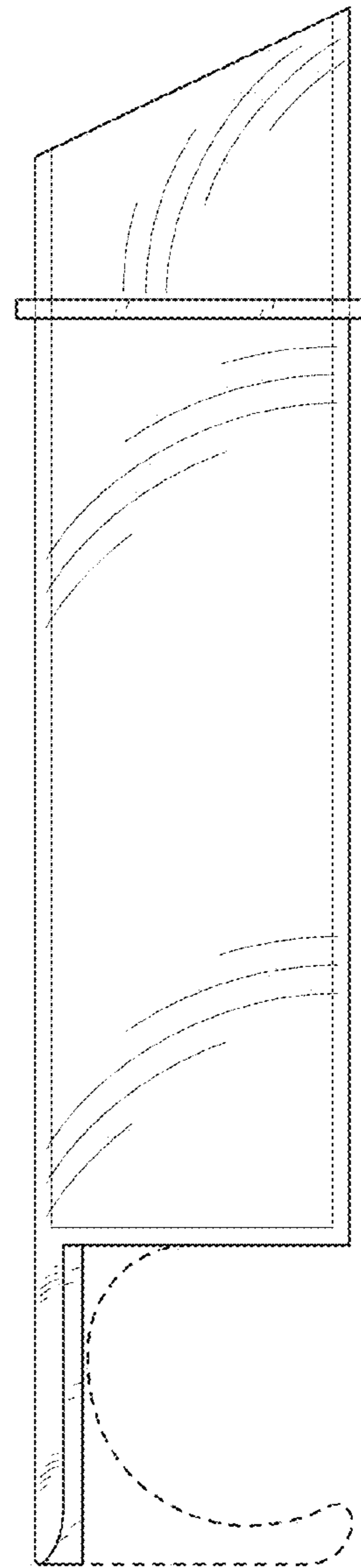


FIG. 19

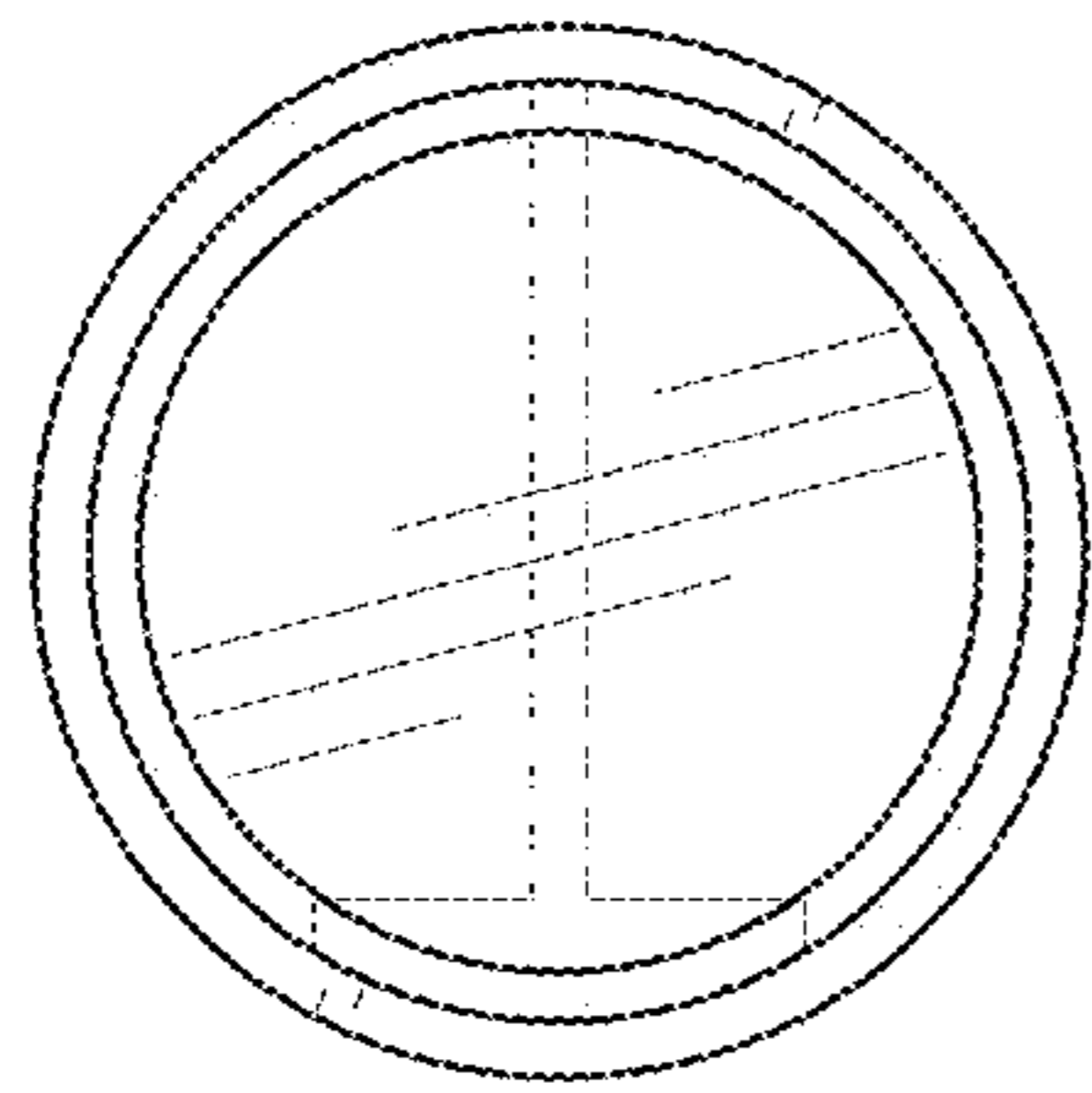


FIG. 20

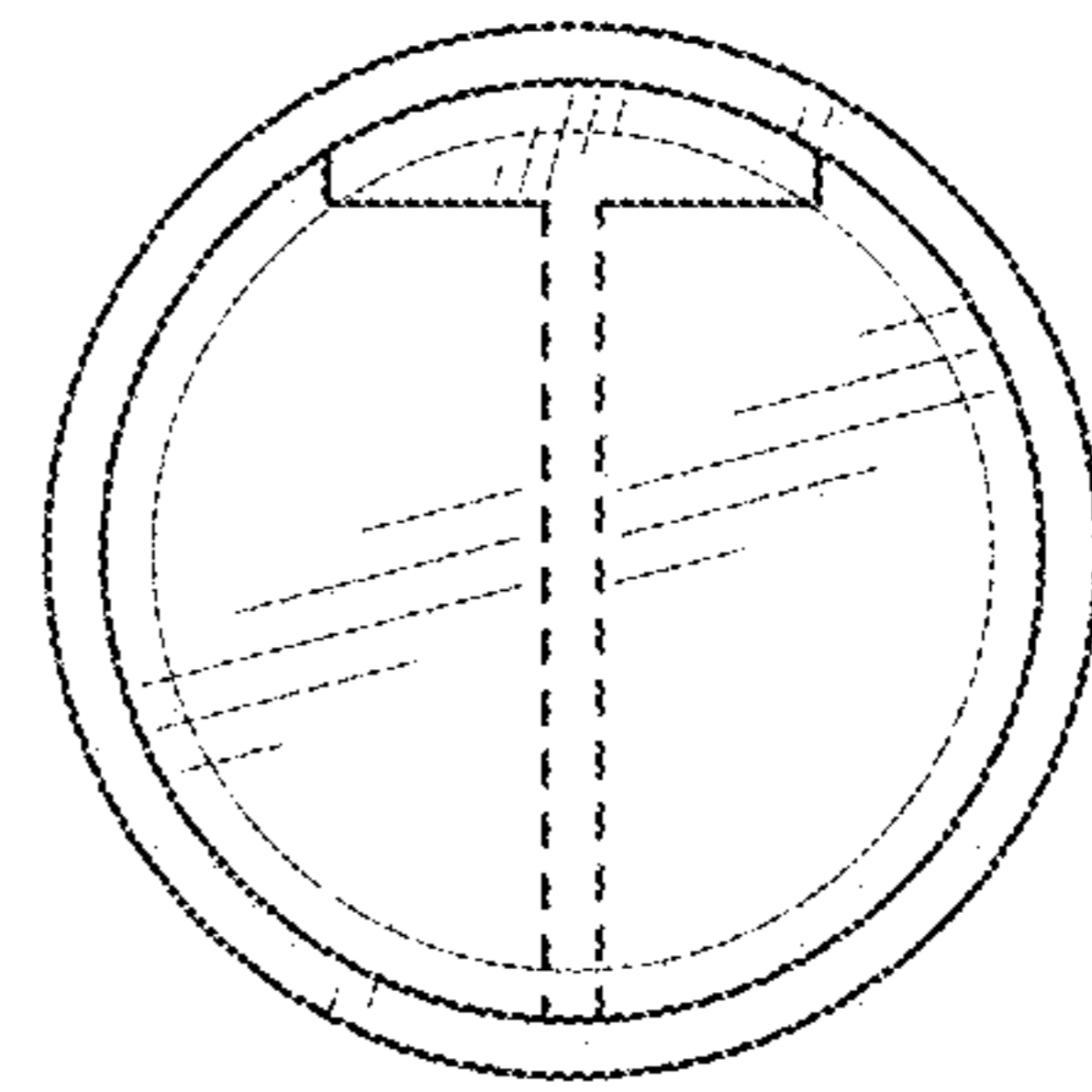


FIG. 21

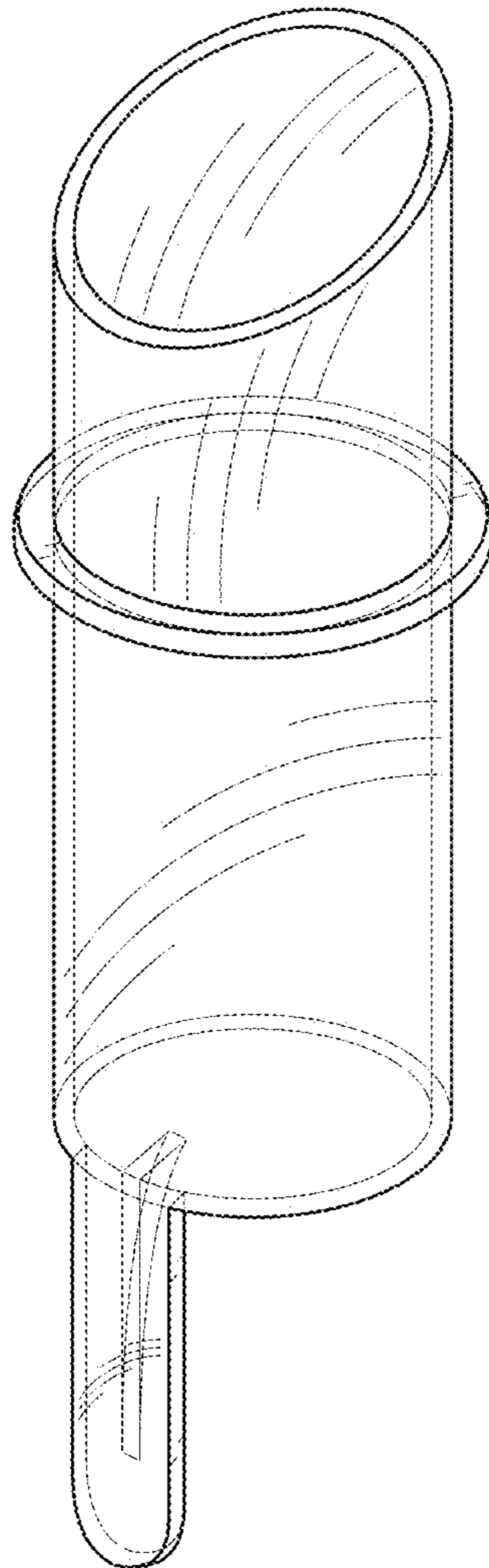


FIG. 22



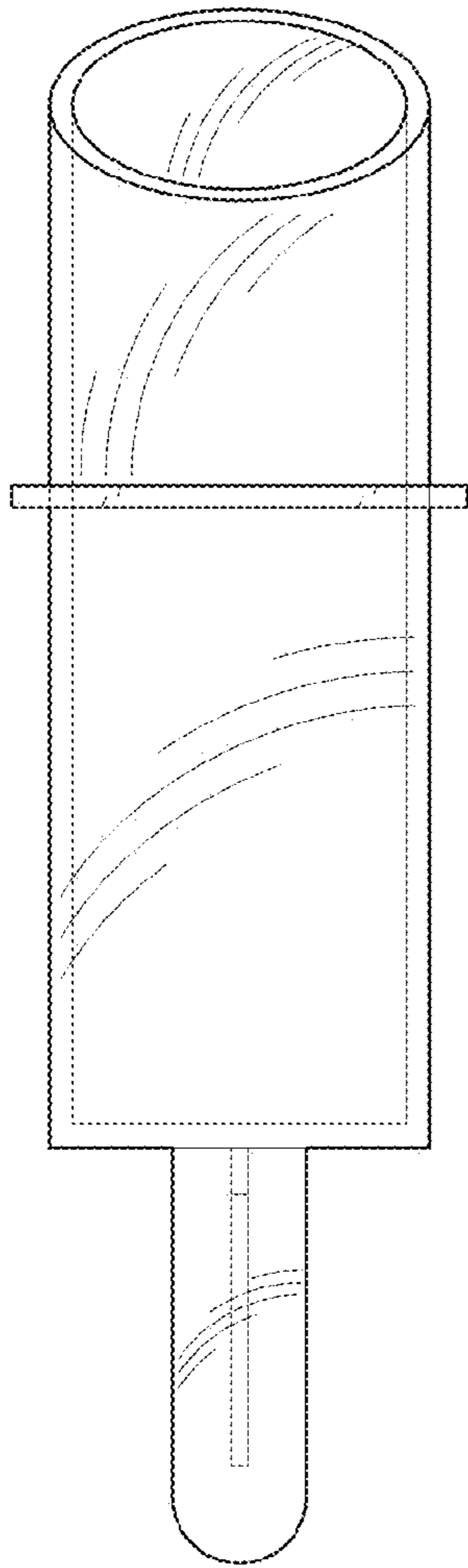


FIG. 23

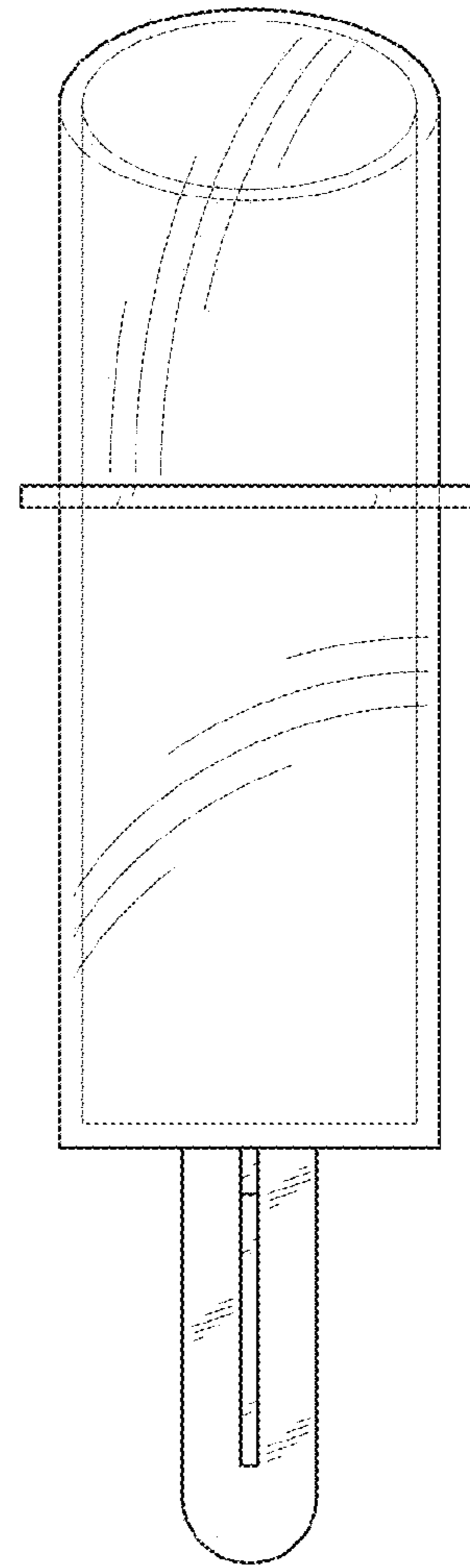


FIG. 24

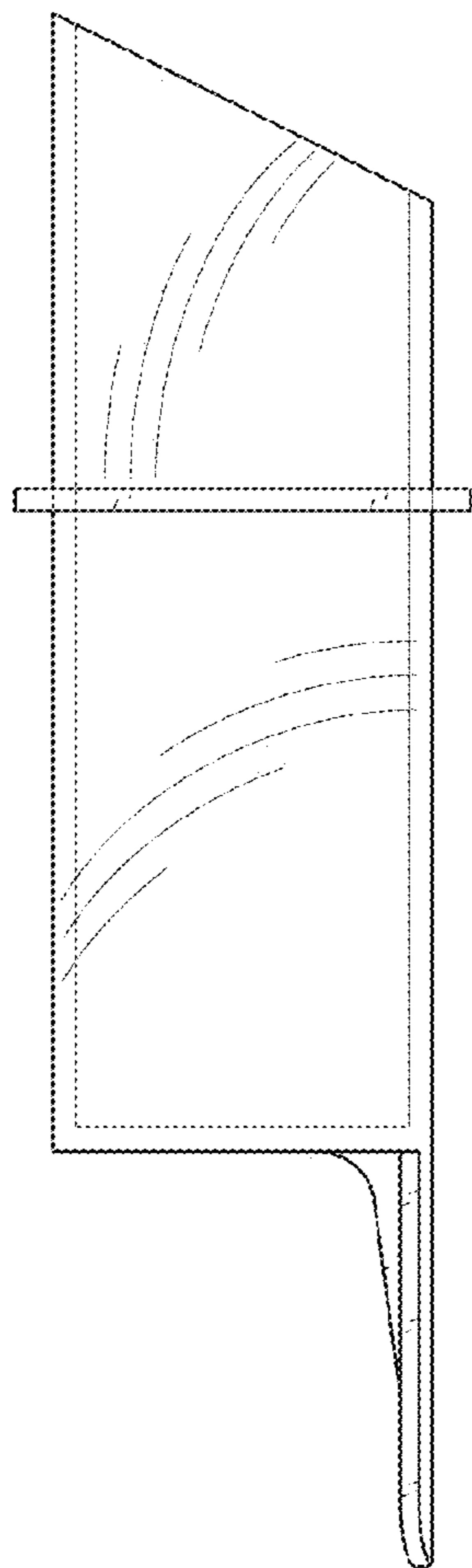


FIG. 25

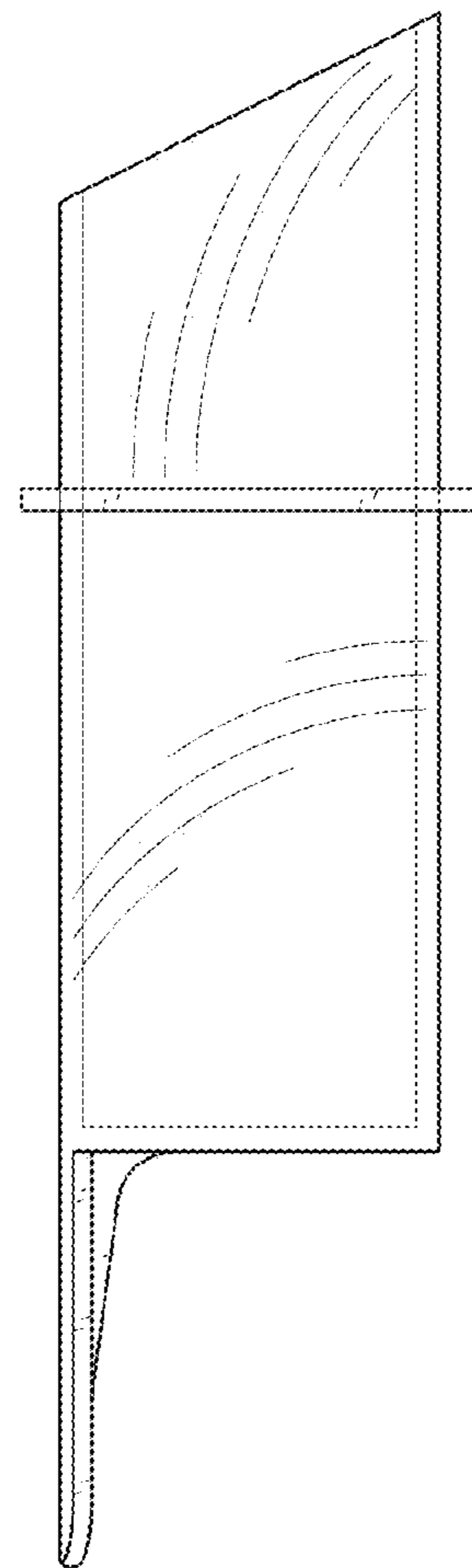


FIG. 26

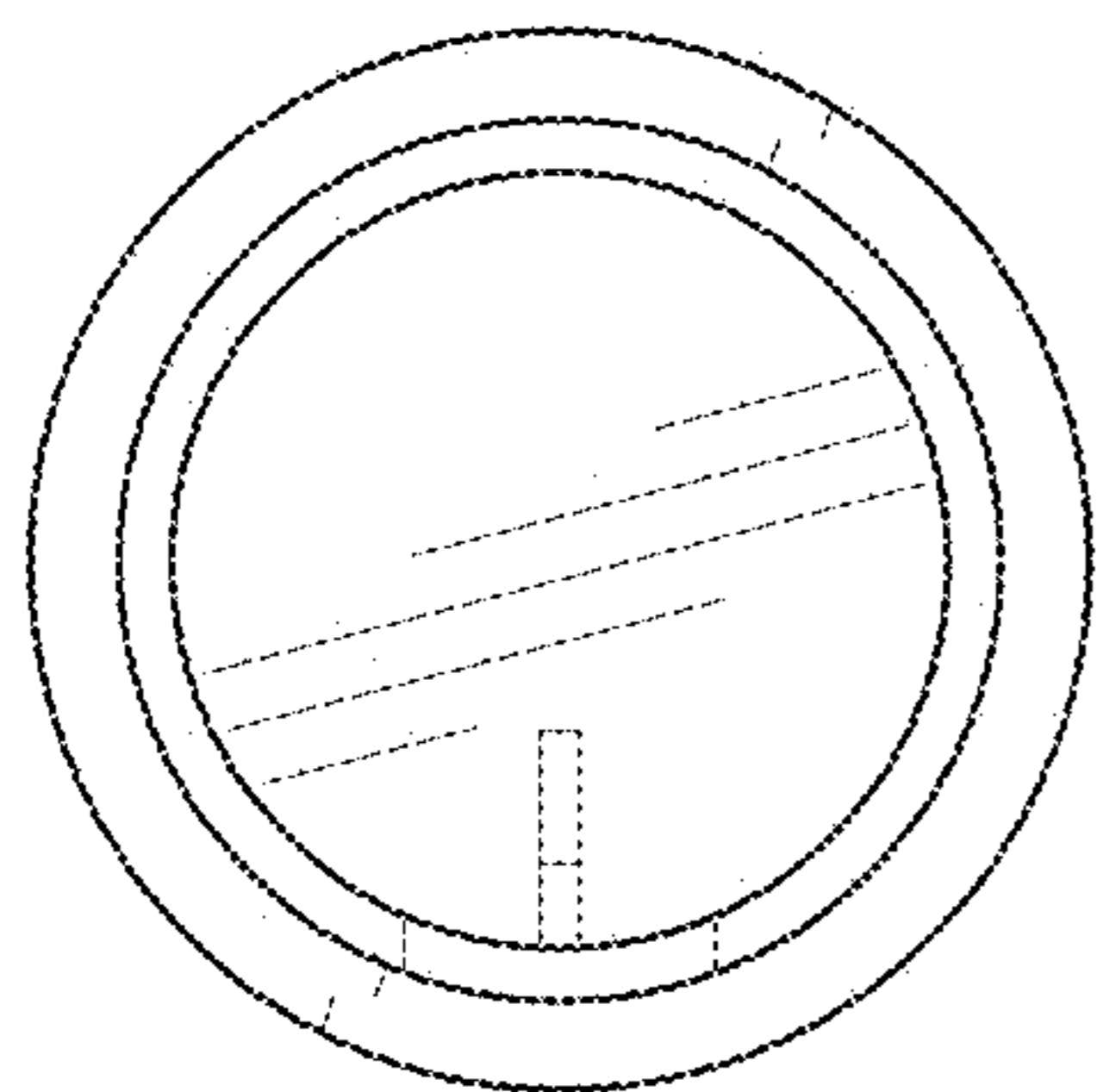


FIG. 27

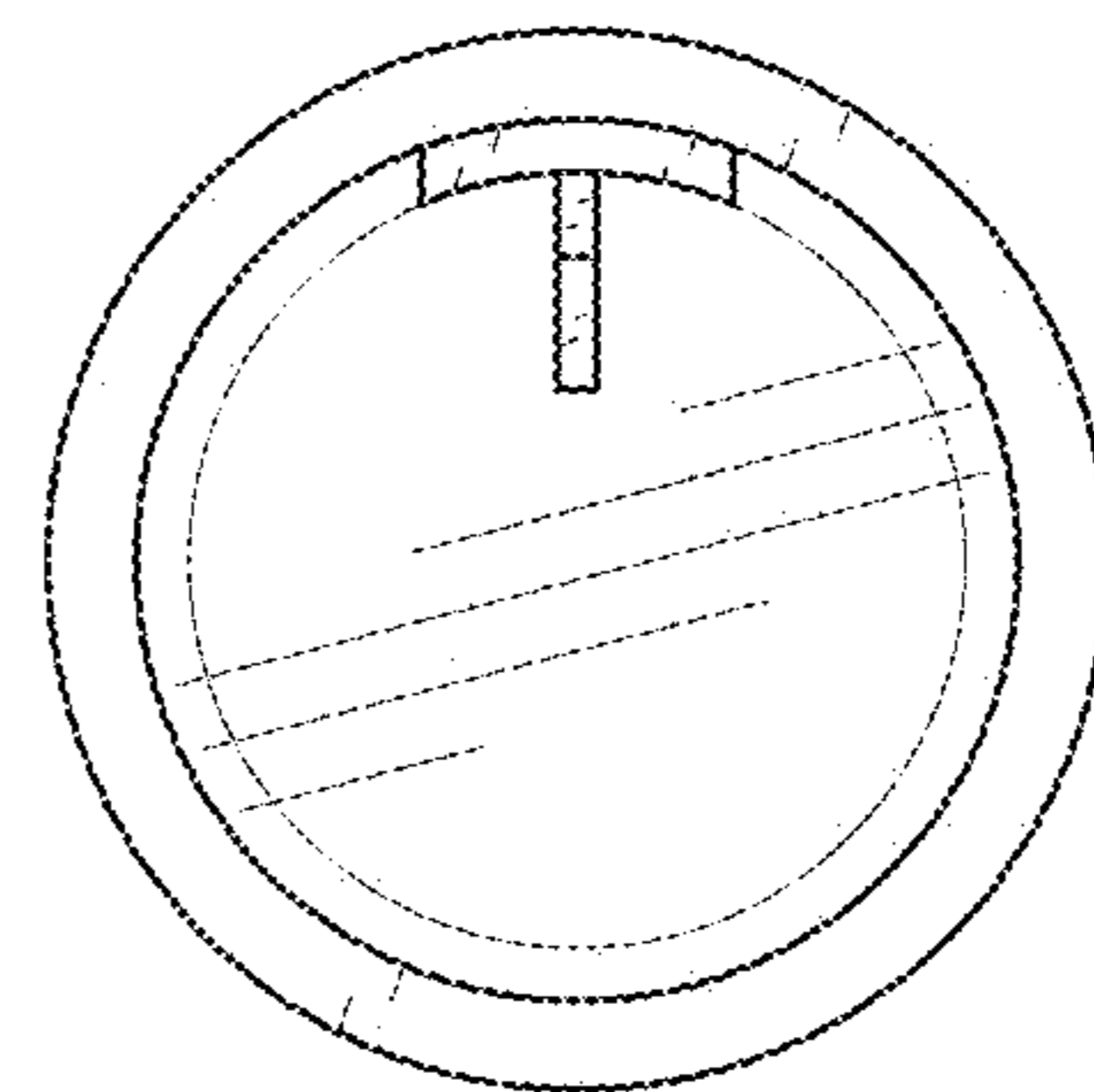


FIG. 28