



US00D753514S

(12) **United States Design Patent**
Deurloo et al.

(10) **Patent No.:** **US D753,514 S**
(45) **Date of Patent:** **** Apr. 12, 2016**

- (54) **MOUSE KITCHEN TIMER**
- (71) Applicant: **Kikkerland Design, Inc.**, New York, NY (US)
- (72) Inventors: **Martijn Deurloo**, Rotterdam (NL);
Suzanne Chang, New, NY (US)
- (73) Assignee: **Kikkerland Design, Inc.**, New York, NY (US)
- (**) Term: **14 Years**

D301,905	S	*	6/1989	Havelock	D21/656
4,912,586	A	*	3/1990	Herron	G04B 19/21 368/223
D544,929	S	*	6/2007	Crane	D21/592
D568,554	S	*	5/2008	Lamstein	D21/656
D576,056	S	*	9/2008	MacDonald	D10/40
7,465,085	B2	*	12/2008	McDonough	G04F 1/005 368/109
D638,313	S	*	5/2011	Grove	D10/40
D655,632	S	*	3/2012	van der Lande	D10/40
D669,798	S	*	10/2012	van der Lande	D10/40
D740,139	S	*	10/2015	Li	D10/40
2005/0041534	A1	*	2/2005	McCarthy	G04F 3/08 368/109

- (21) Appl. No.: **29/523,598**
- (22) Filed: **Apr. 10, 2015**
- (51) **LOC (10) Cl.** **10-03**
- (52) **U.S. Cl.**
USPC **D10/40; D21/656**
- (58) **Field of Classification Search**
USPC D10/40, 30-39, 1-29, 122-132;
D21/656
CPC G04F 3/00; G04F 3/02; G04F 3/022;
G04F 1/005; G04F 8/00; G04F 10/00; G04B
19/00; G04B 19/21; G04B 19/22; G04B
45/00; G04B 45/0069
See application file for complete search history.

* cited by examiner

Primary Examiner — Martie K Holtje
(74) *Attorney, Agent, or Firm* — Charles H. Jew

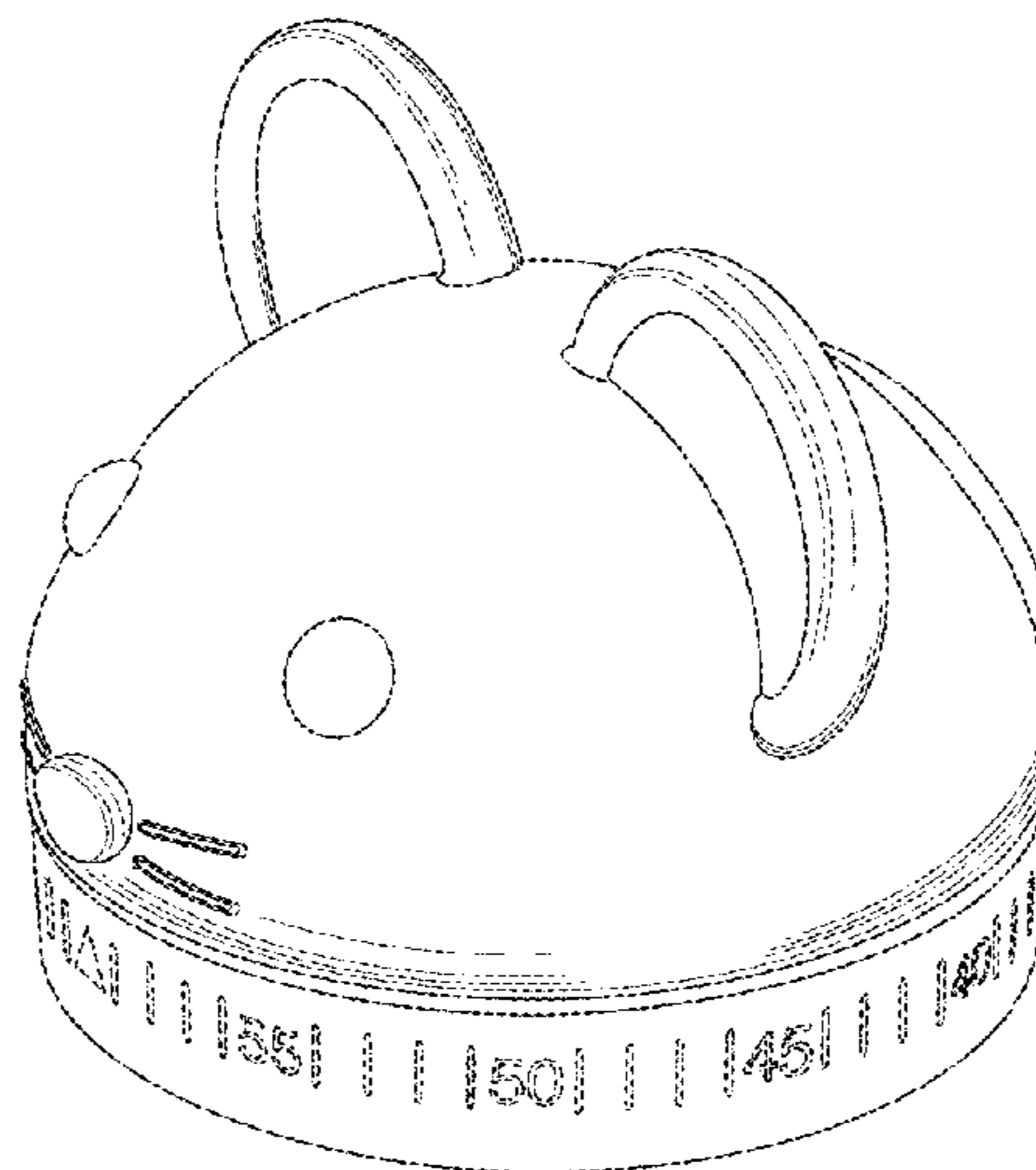
(57) **CLAIM**
The ornamental design for a mouse kitchen timer, as shown and described.

DESCRIPTION

FIG. 1 is a front view of the mouse kitchen timer showing our design;
FIG. 2 is a rear view thereof;
FIG. 3 is a right side view thereof;
FIG. 4 is a left side view thereof;
FIG. 5 is a top plan view thereof;
FIG. 6 is a bottom plan view thereof; and,
FIG. 7 is a top, right front perspective view thereof.
The minute and numeral designations depicted by broken lines in FIGS. 1 through 4 and 7 have been shown for the purpose of illustrating features that form no part of the claimed design.

- (56) **References Cited**
U.S. PATENT DOCUMENTS
3,827,232 A * 8/1974 Bassett G04F 3/022
368/100
D245,232 S * 8/1977 Quirin D10/40
D245,320 S * 8/1977 Mox D10/40
D245,582 S * 8/1977 Mox D10/40
D251,058 S * 2/1979 Danz D10/40
D276,705 S * 12/1984 Oliveri D10/40

1 Claim, 2 Drawing Sheets



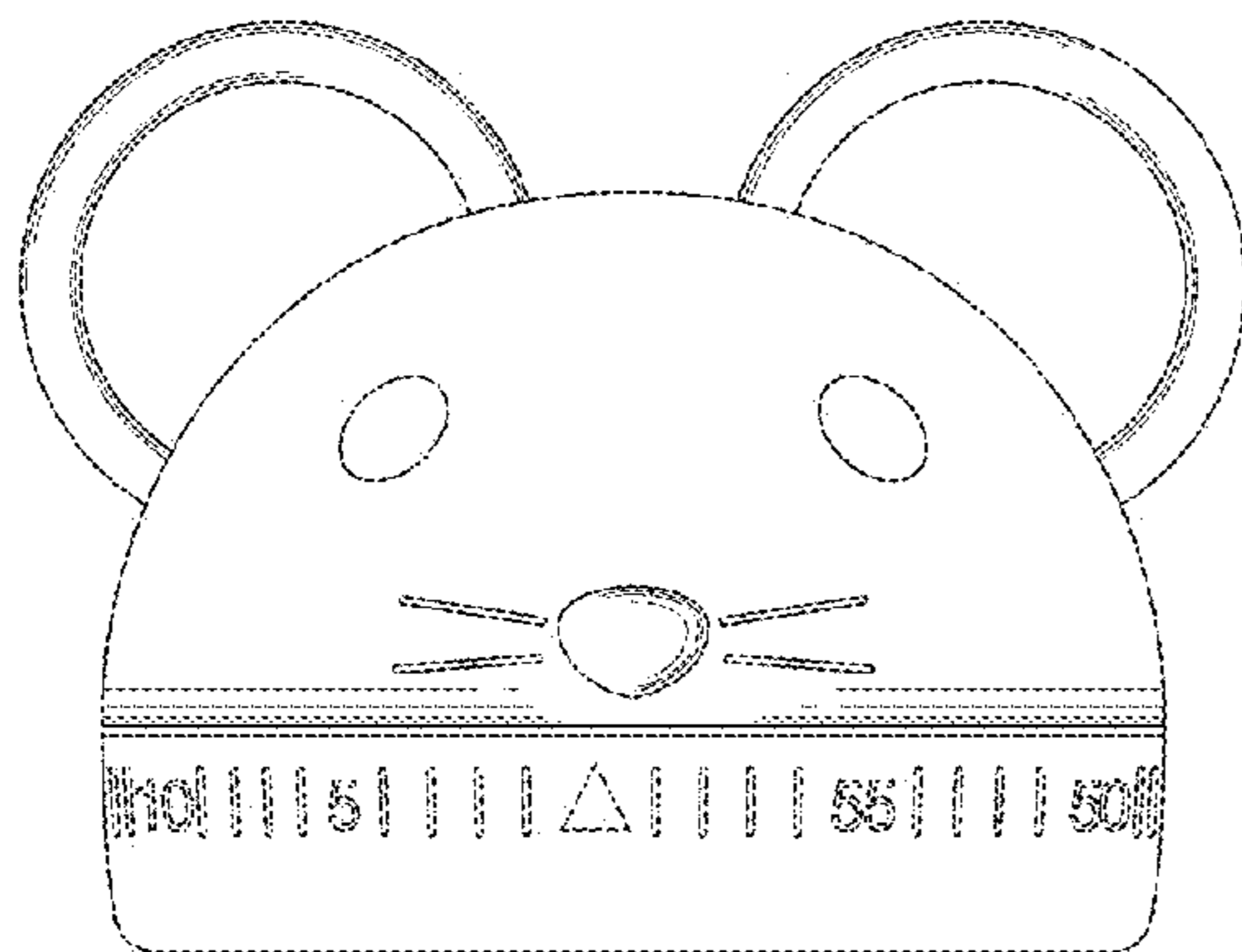


FIG. 1

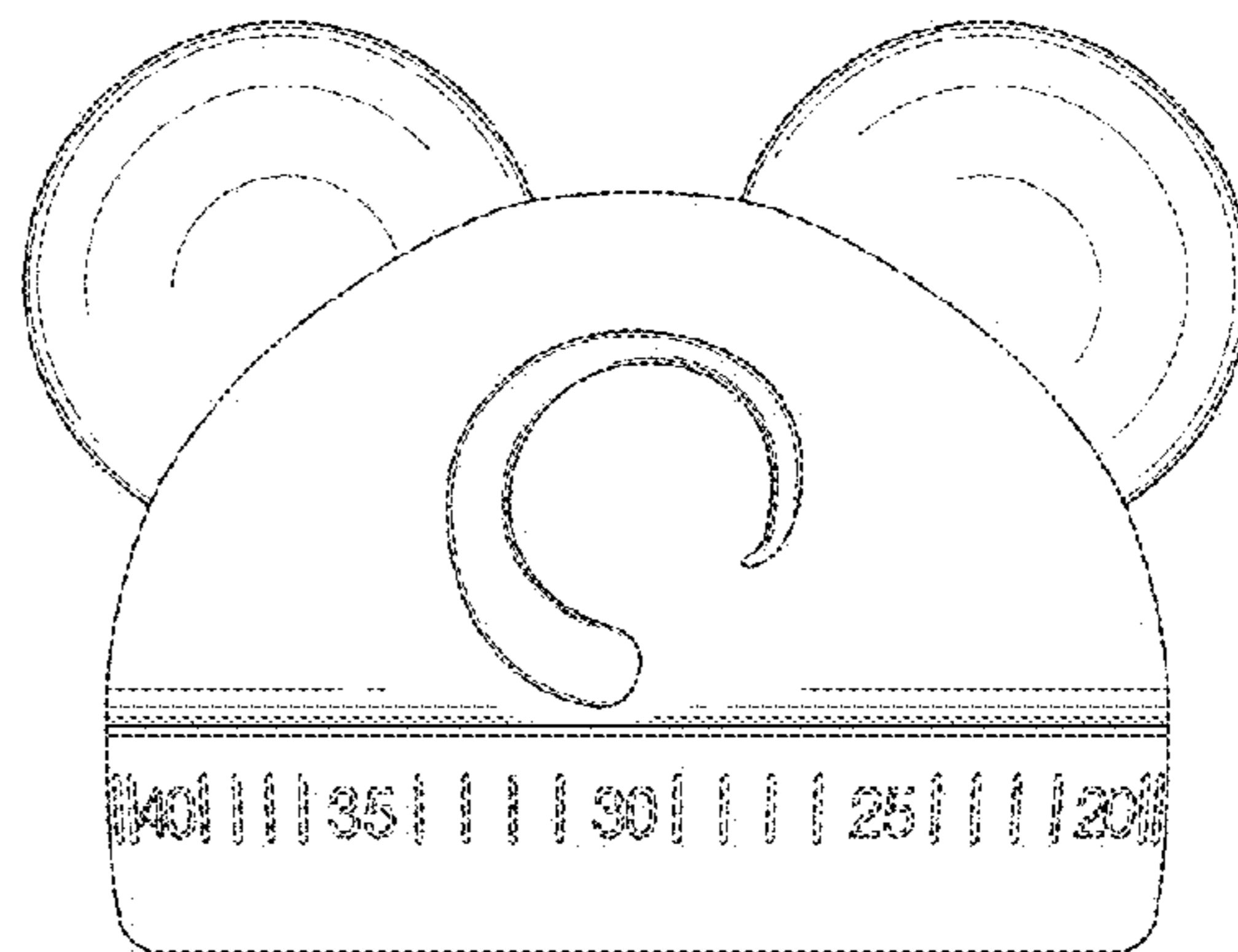


FIG. 2

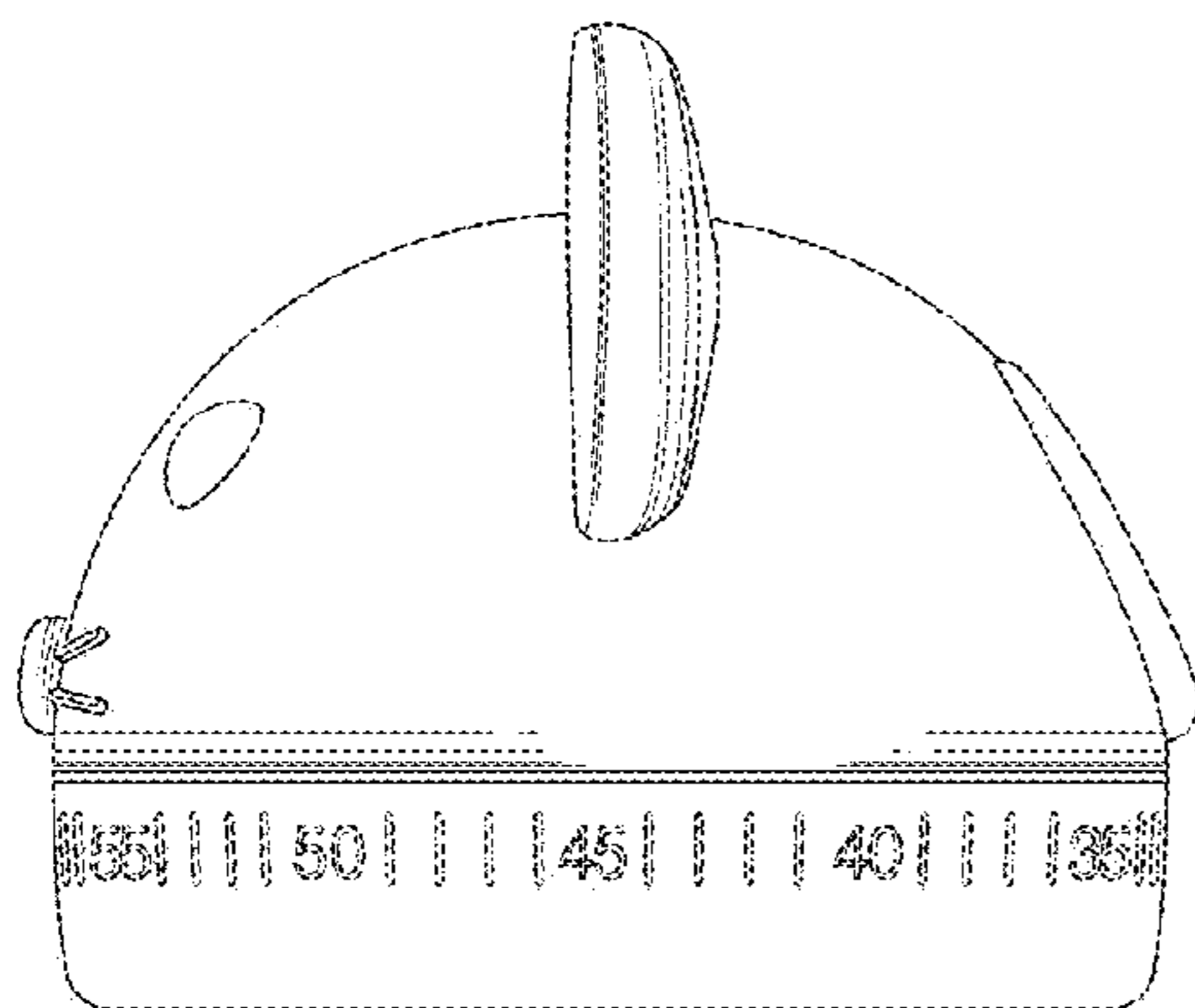


FIG. 3

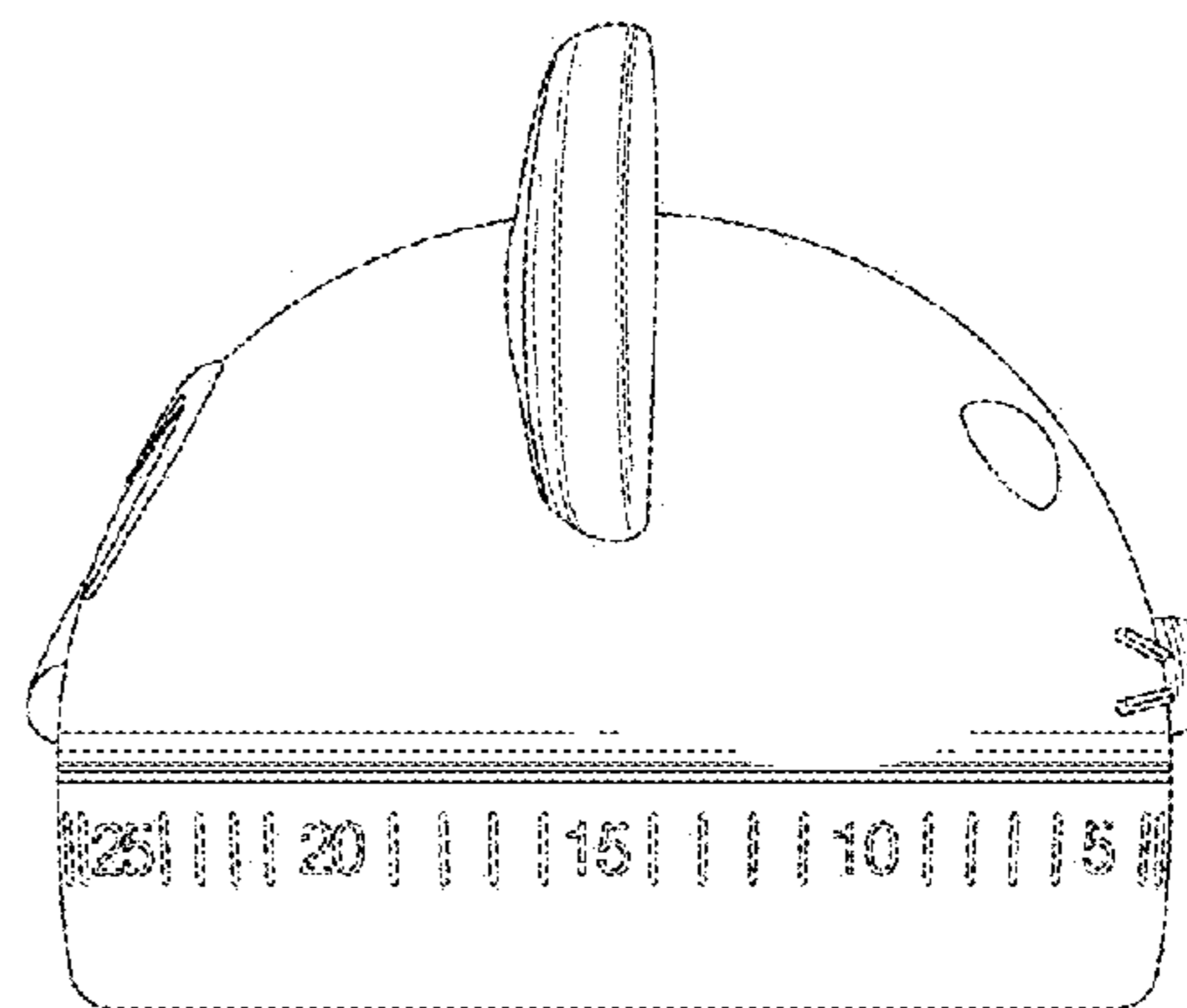


FIG. 4

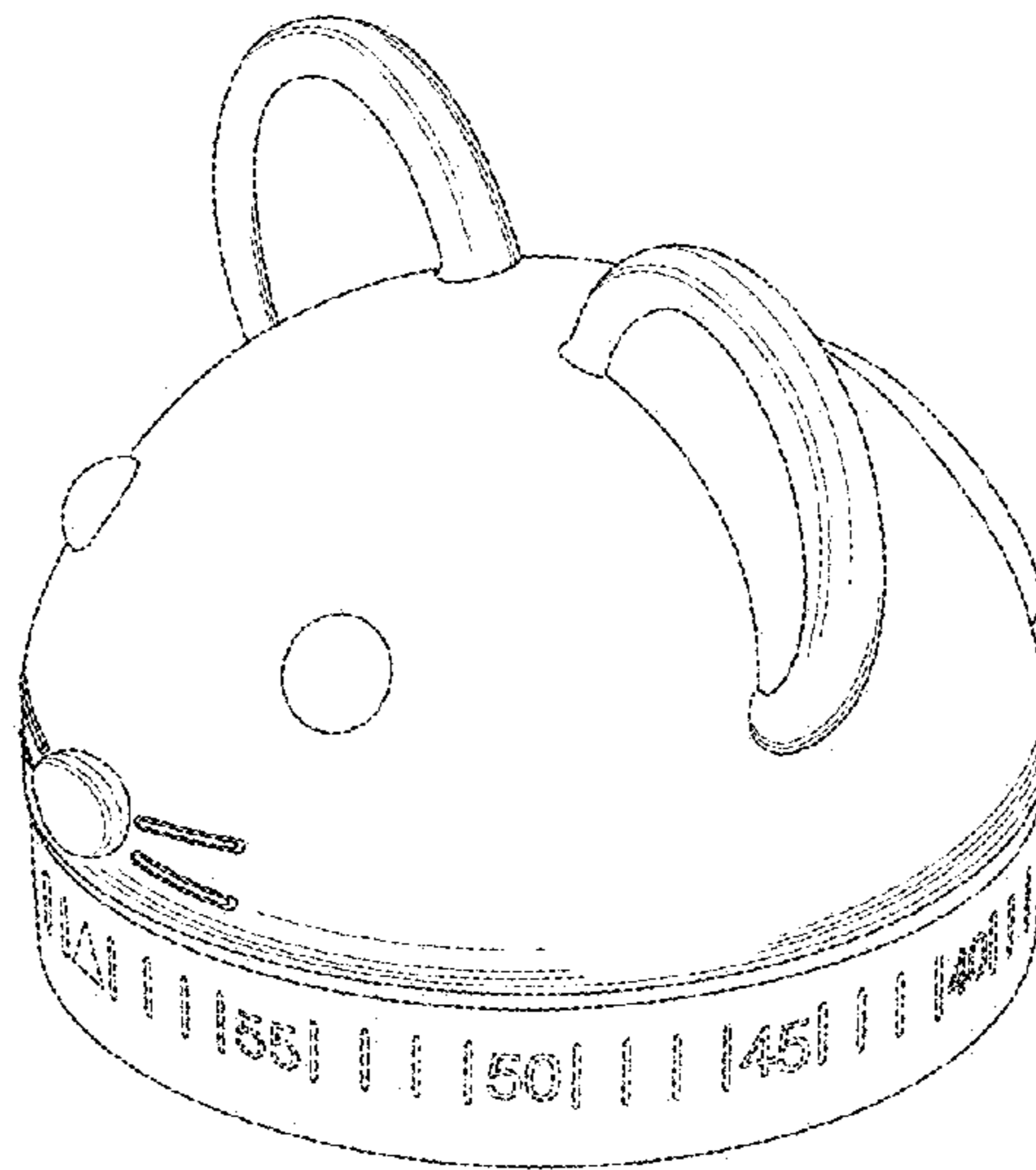
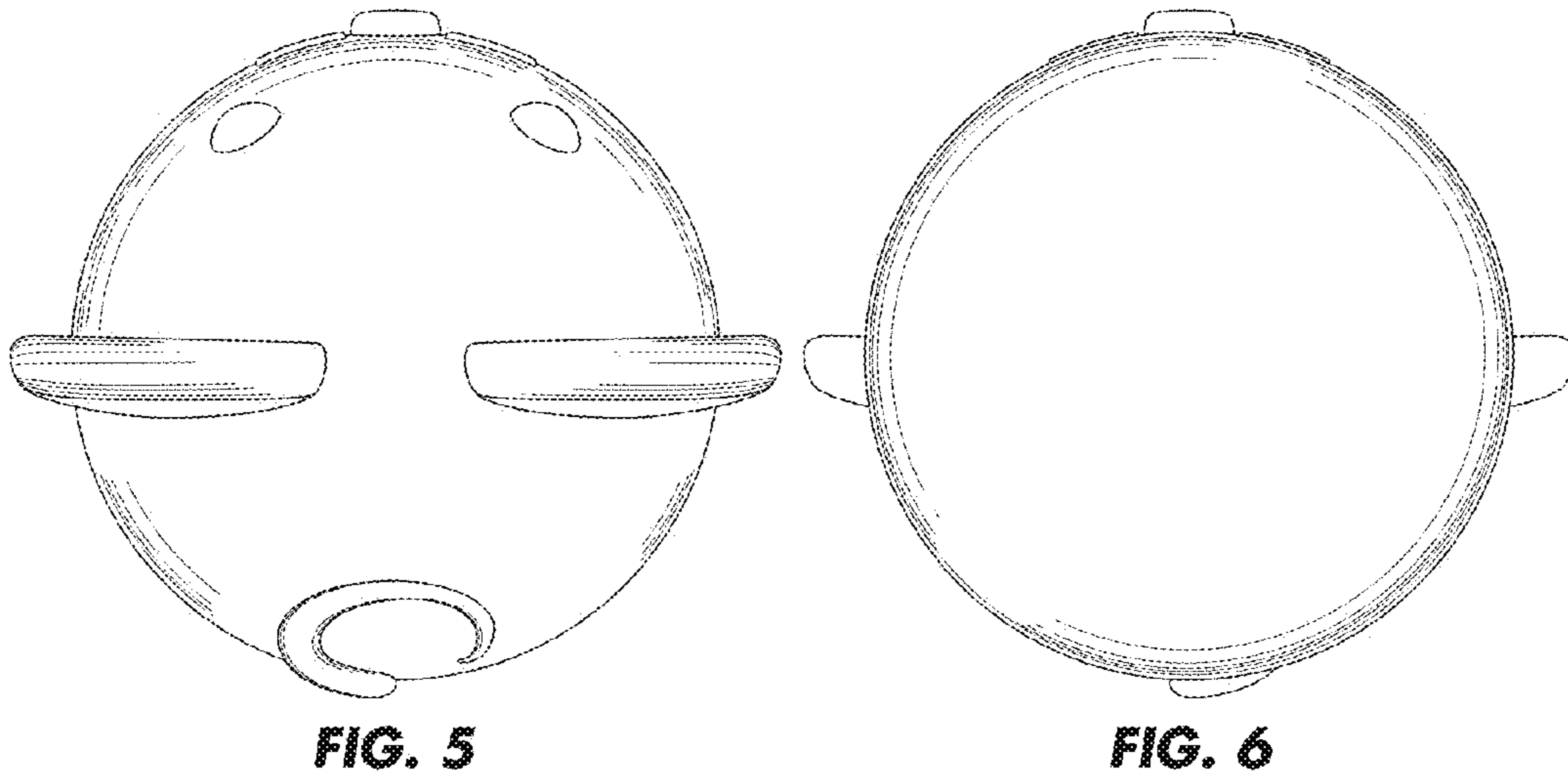


FIG. 7