



US00D753512S

(12) **United States Design Patent**
Mille

(10) **Patent No.:** **US D753,512 S**
(45) **Date of Patent:** **** Apr. 12, 2016**

(54) **WATCH**

(71) Applicant: **Turlen Holding SA**, Soyhières (CH)

(72) Inventor: **Richard Mille**, Moulins (FR)

(73) Assignee: **TURLEN HOLDINGS SA**, Soyhieres (CH)

(**) Term: **14 Years**

(21) Appl. No.: **29/520,004**

(22) Filed: **Mar. 10, 2015**

(30) **Foreign Application Priority Data**

Nov. 6, 2014 (WO) 850489701

(51) **LOC (10) Cl.** **10-02**

(52) **U.S. Cl.**
USPC **D10/39**; D10/30; D10/125

(58) **Field of Classification Search**
USPC D10/30-39, 1-29, 122-132
CPC G04B 15/00; G04B 17/00; G04B 17/005;
G04B 17/285; G04B 37/00; G04B 37/0008;
G04B 37/0058; G04B 37/0083; G04B
37/1486; G04B 45/00; G04B 45/0038; G04B
45/0069; G04B 45/0076; G04B 45/02
See application file for complete search history.

(56) **References Cited**

U.S. PATENT DOCUMENTS

1,905,682 A * 4/1933 Carlson G04B 37/1486
368/281
D197,183 S * 12/1963 McLeod D10/22
3,293,846 A * 12/1966 Heinz G04B 37/0083
368/10
3,685,282 A * 8/1972 Kock G04B 29/00
368/131

D240,407 S * 7/1976 Szalek D10/126
4,376,996 A * 3/1983 Wuthrich G04C 17/005
368/220
D456,274 S * 4/2002 Mille D10/30
D606,888 S * 12/2009 Mille D10/38
7,794,137 B2 * 9/2010 Golay G04B 17/285
368/127
D650,708 S * 12/2011 Laucella D10/39
D658,514 S * 5/2012 Mille D10/39
D658,516 S * 5/2012 Mille D10/39
D663,220 S * 7/2012 Mouclier D10/1
D664,047 S * 7/2012 Mille D10/39
D667,317 S * 9/2012 Jamin D10/39
D679,199 S * 4/2013 Mille D10/39
D692,323 S * 10/2013 Mille D10/39
D709,784 S * 7/2014 Stegmann D10/126
D712,770 S * 9/2014 Stegmann D10/126
2008/0013409 A1 * 1/2008 Bland G04B 45/0038
368/223

* cited by examiner

Primary Examiner — Martie K Holtje

(74) *Attorney, Agent, or Firm* — Donald J. Ranft; Kristen A. Mogavero; Collen IP

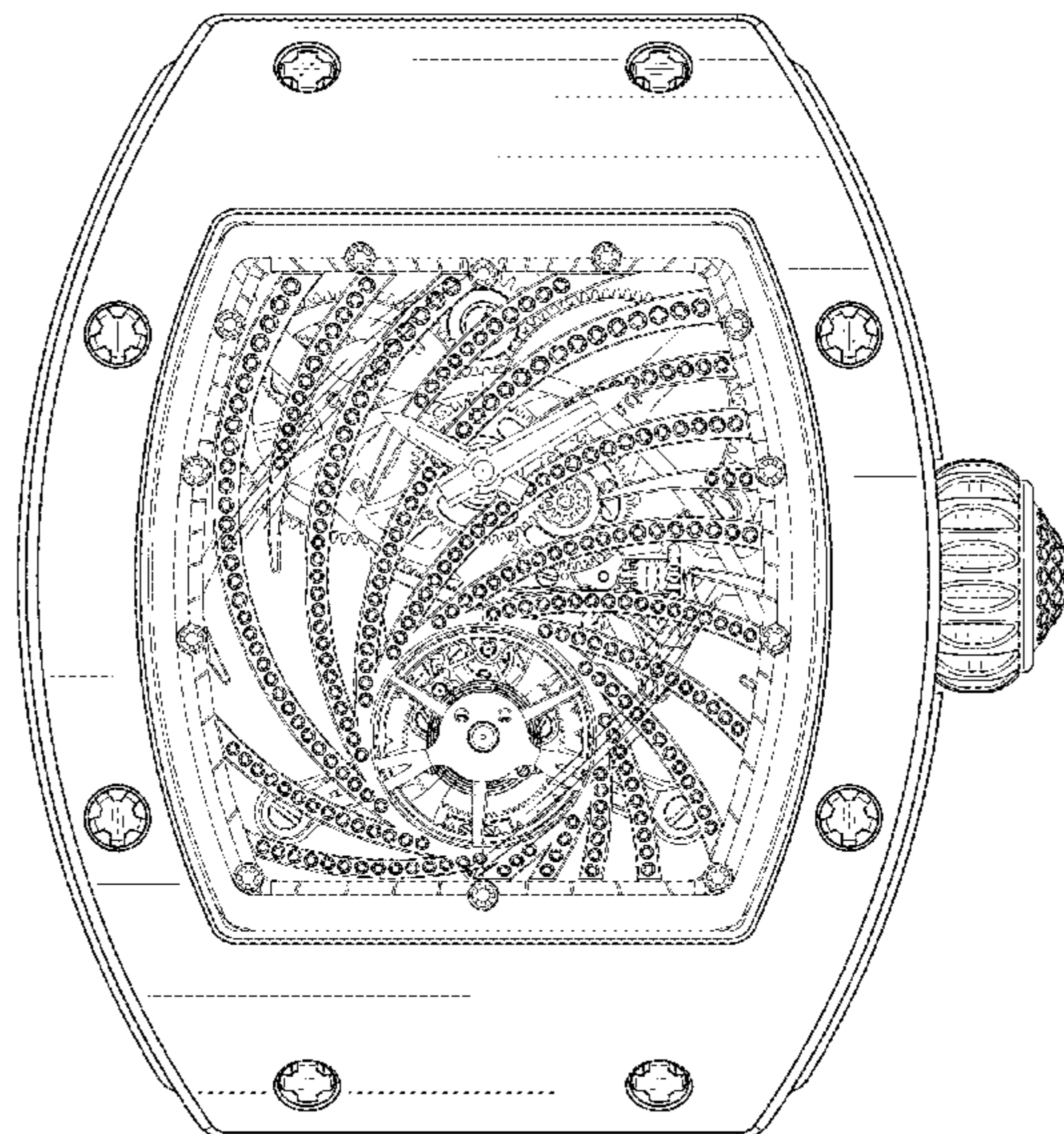
(57) **CLAIM**

The ornamental design for a watch, as shown.

DESCRIPTION

FIG. 1 is a front right perspective view of a watch showing my new design;
FIG. 2 is a rear left perspective view thereof;
FIG. 3 is a front view thereof;
FIG. 4 is a rear view thereof;
FIG. 5 is a left side view thereof;
FIG. 6 is a right side view thereof;
FIG. 7 is a top view thereof;
FIG. 8 is a bottom view thereof;
FIG. 9 is a front left perspective view thereof; and,
FIG. 10 is a rear right perspective view thereof.

1 Claim, 8 Drawing Sheets



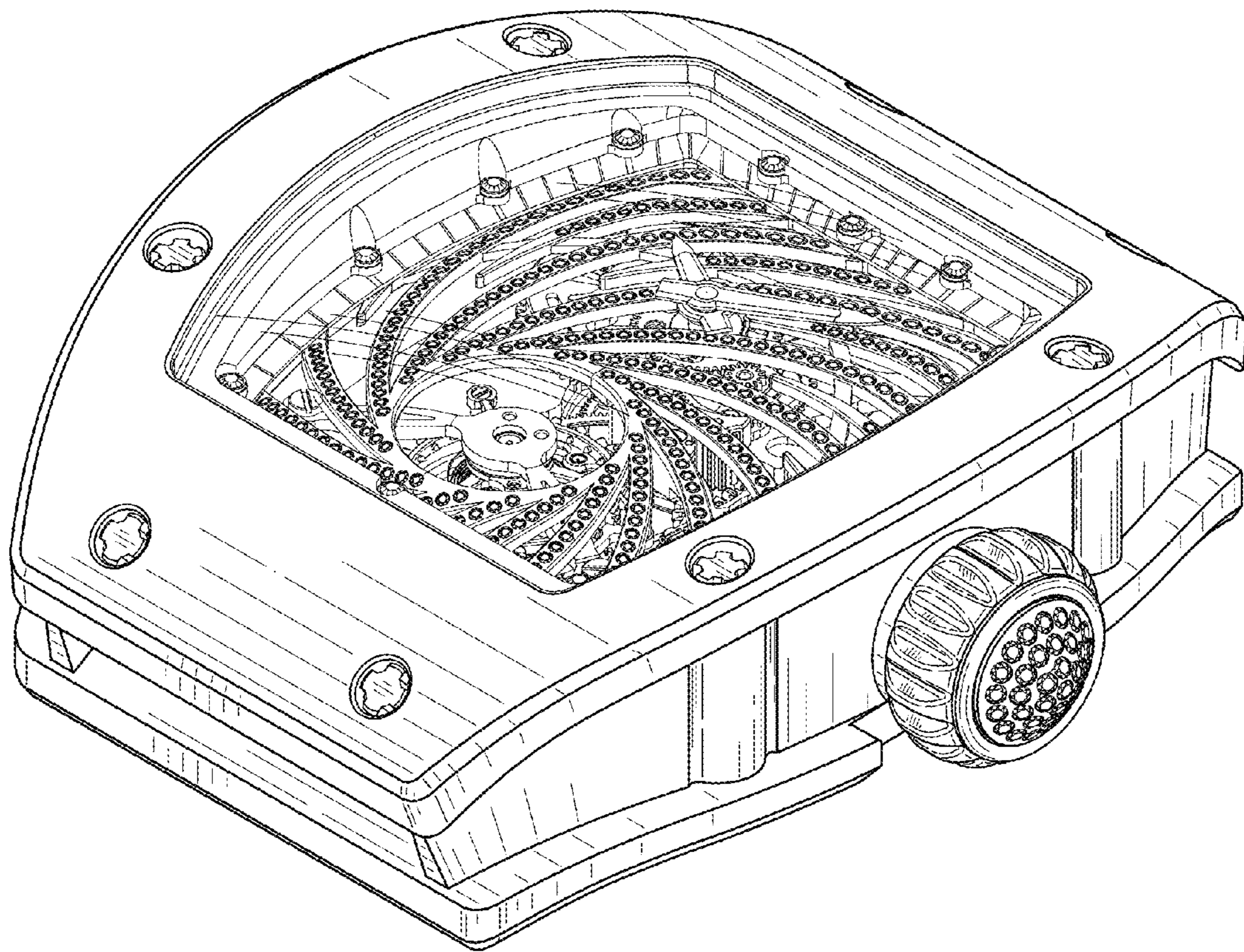


FIG. 1

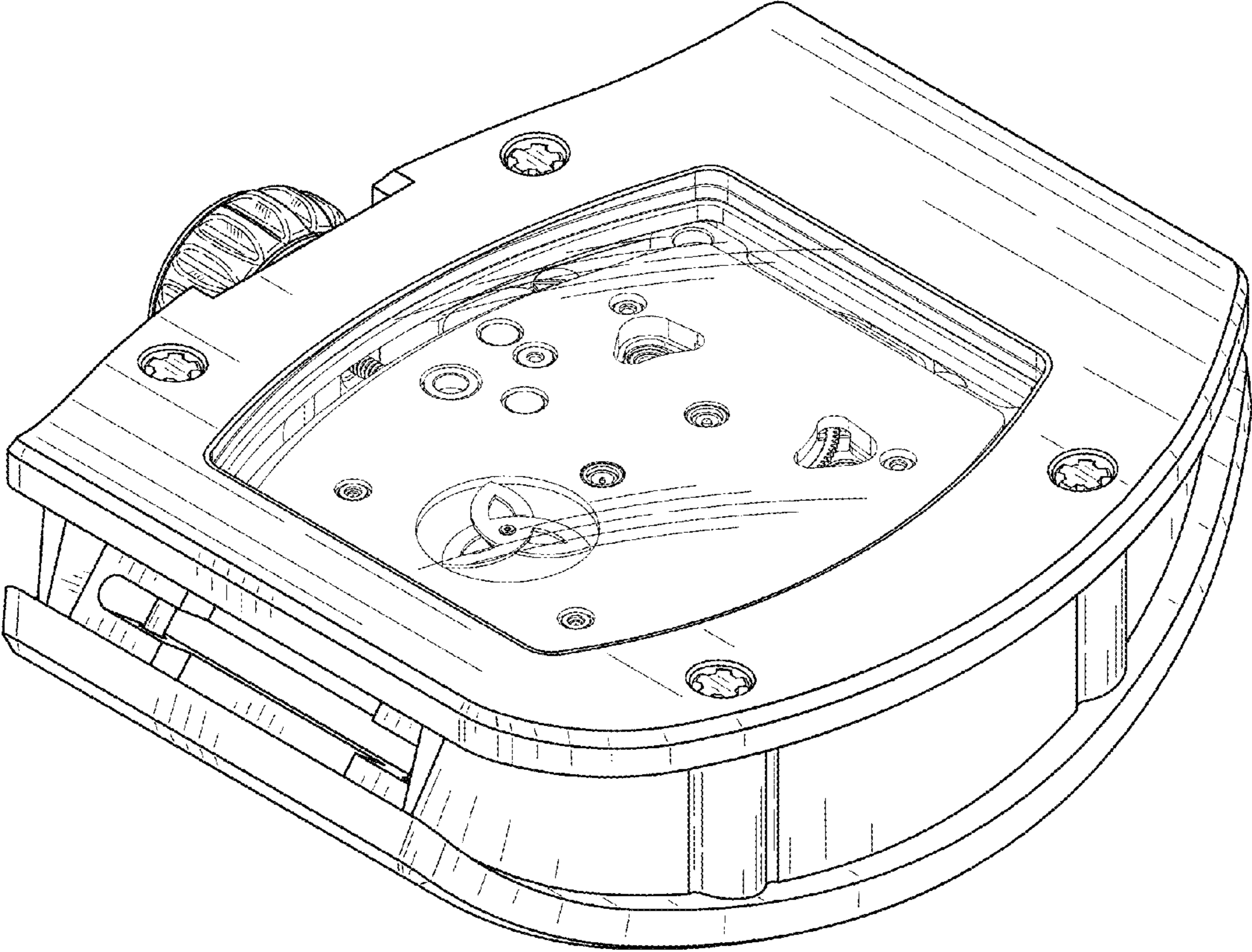


FIG. 2

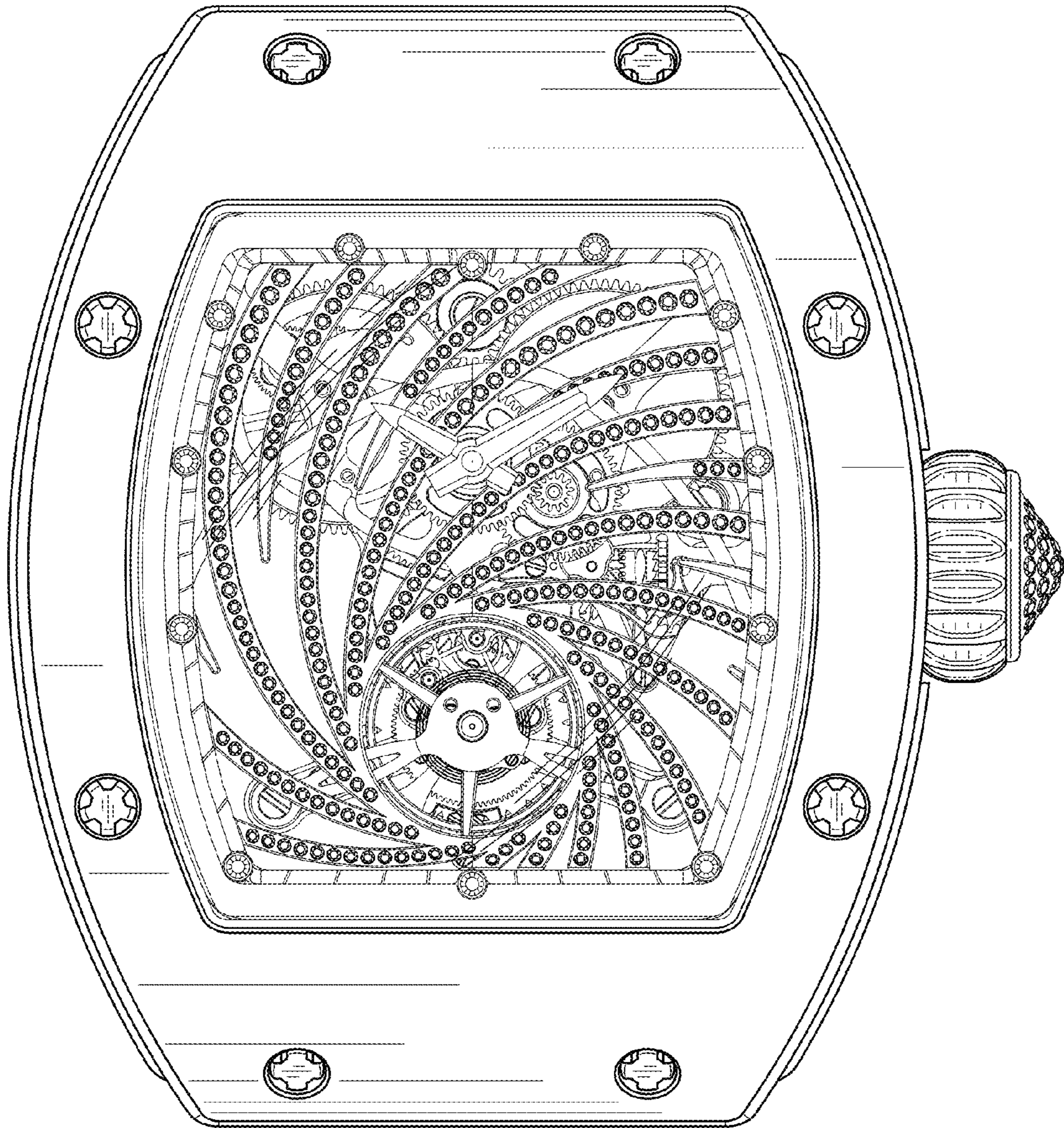


FIG. 3

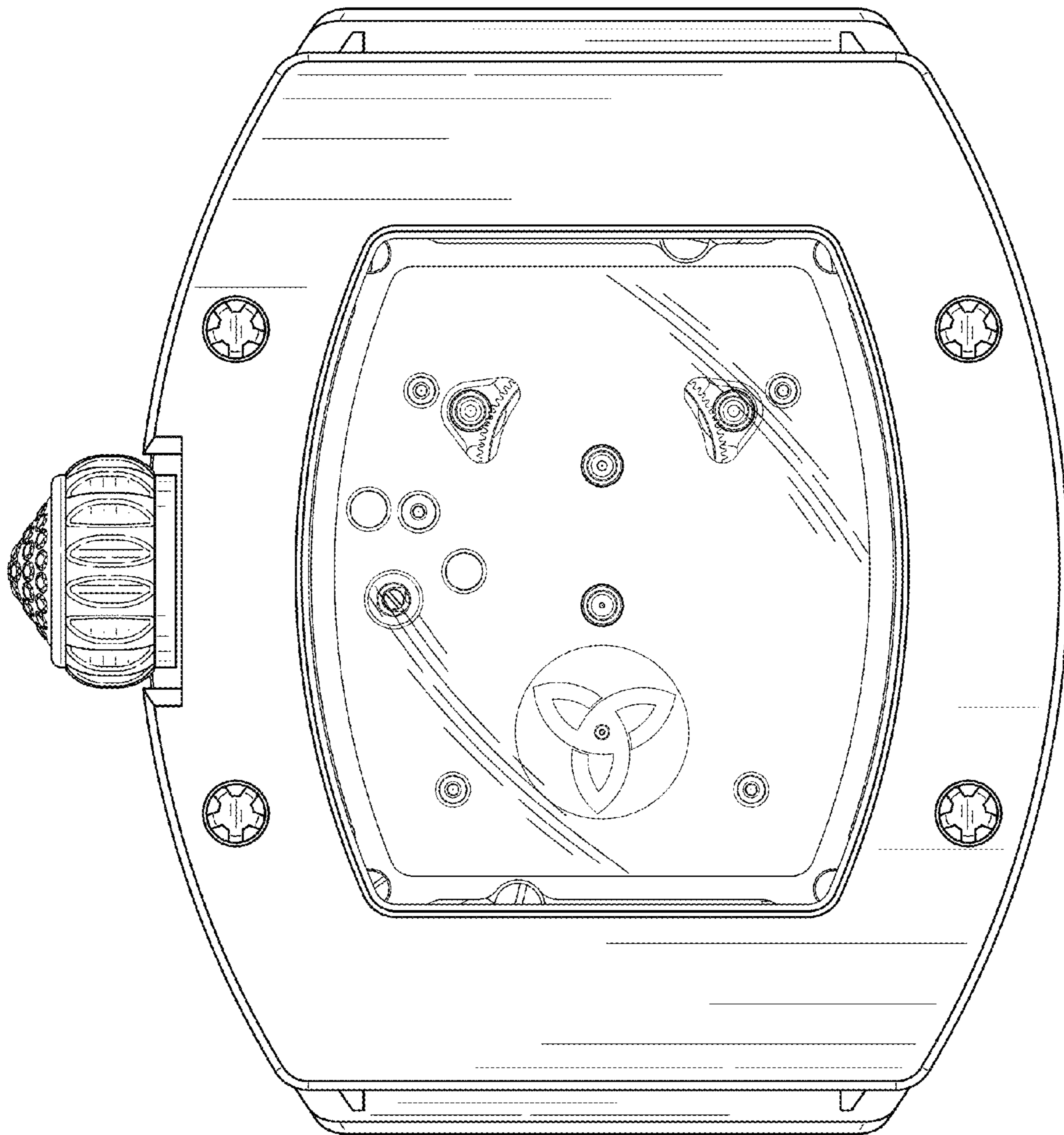


FIG. 4

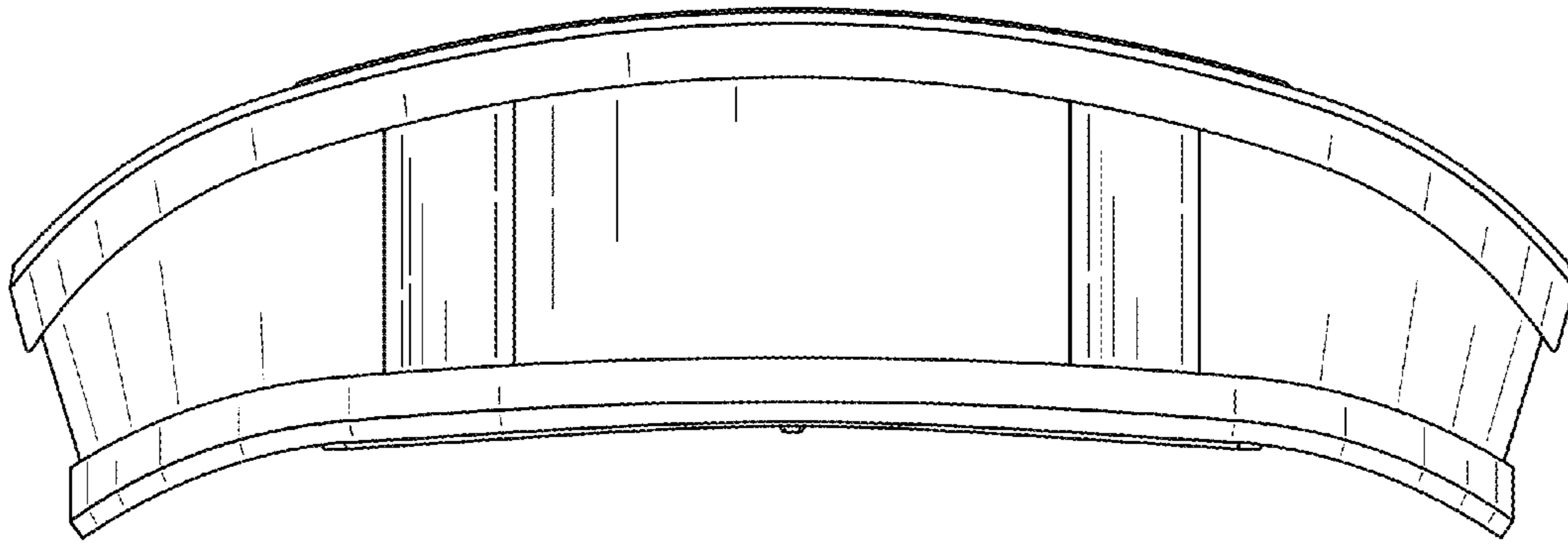


FIG. 5

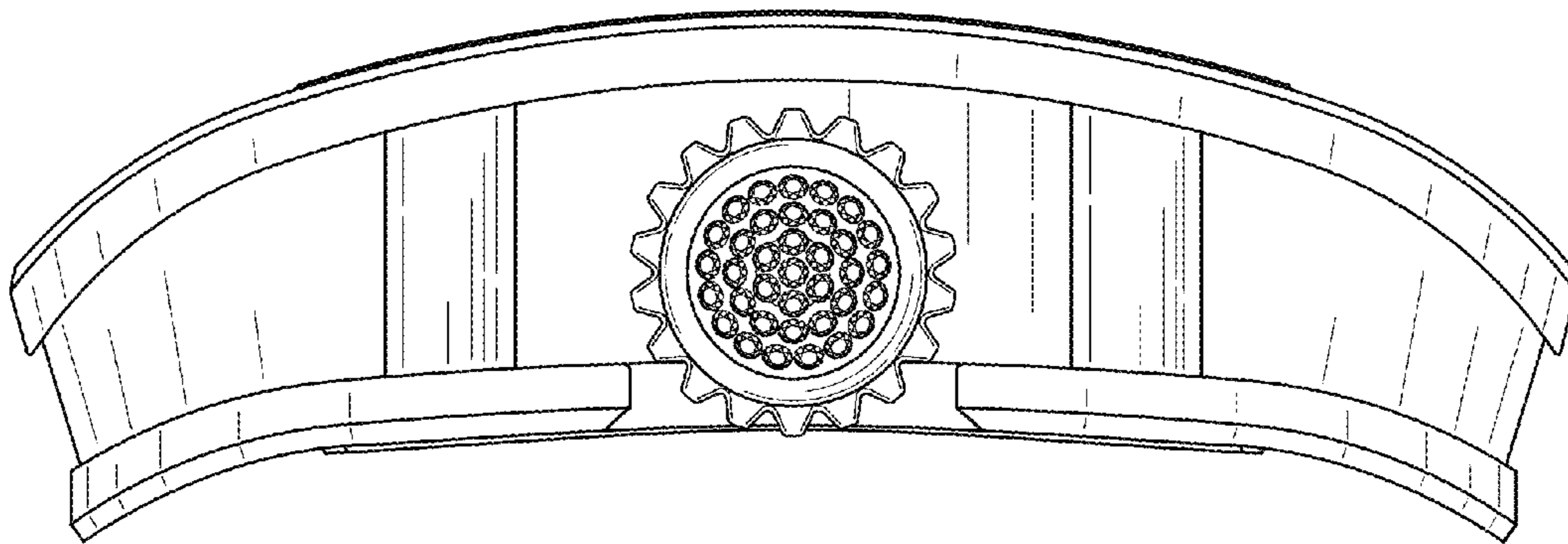


FIG. 6

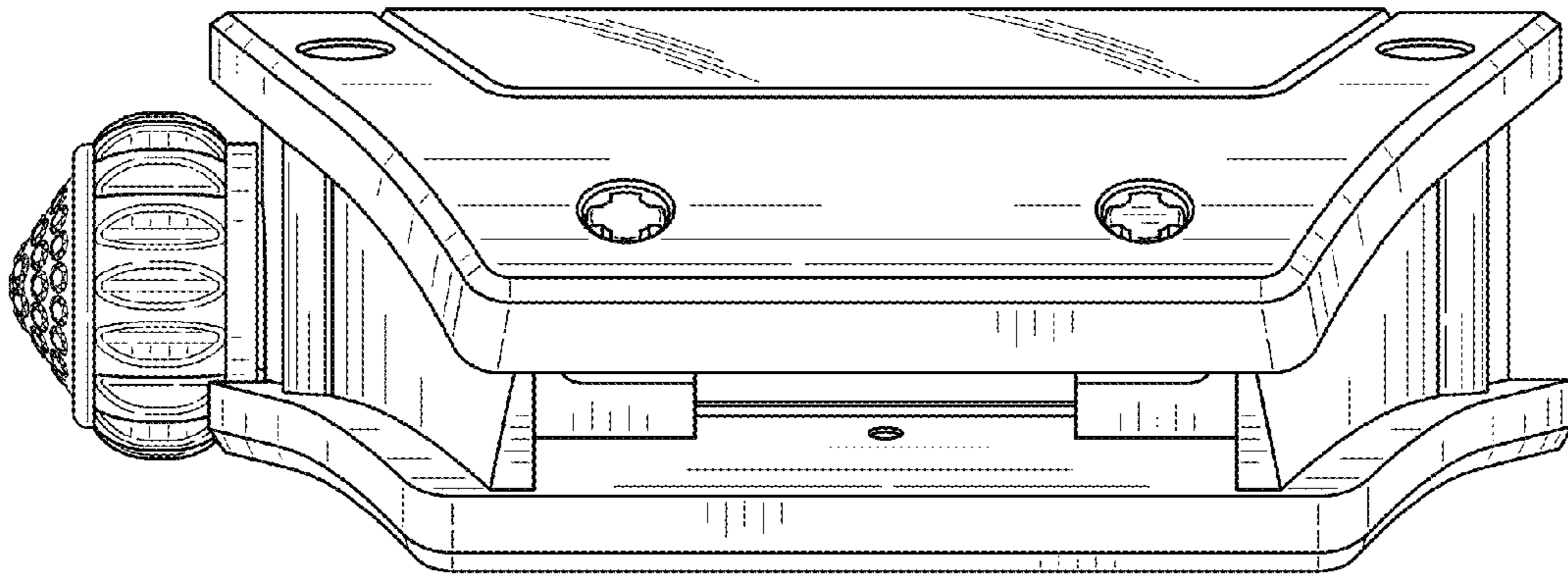


FIG. 7

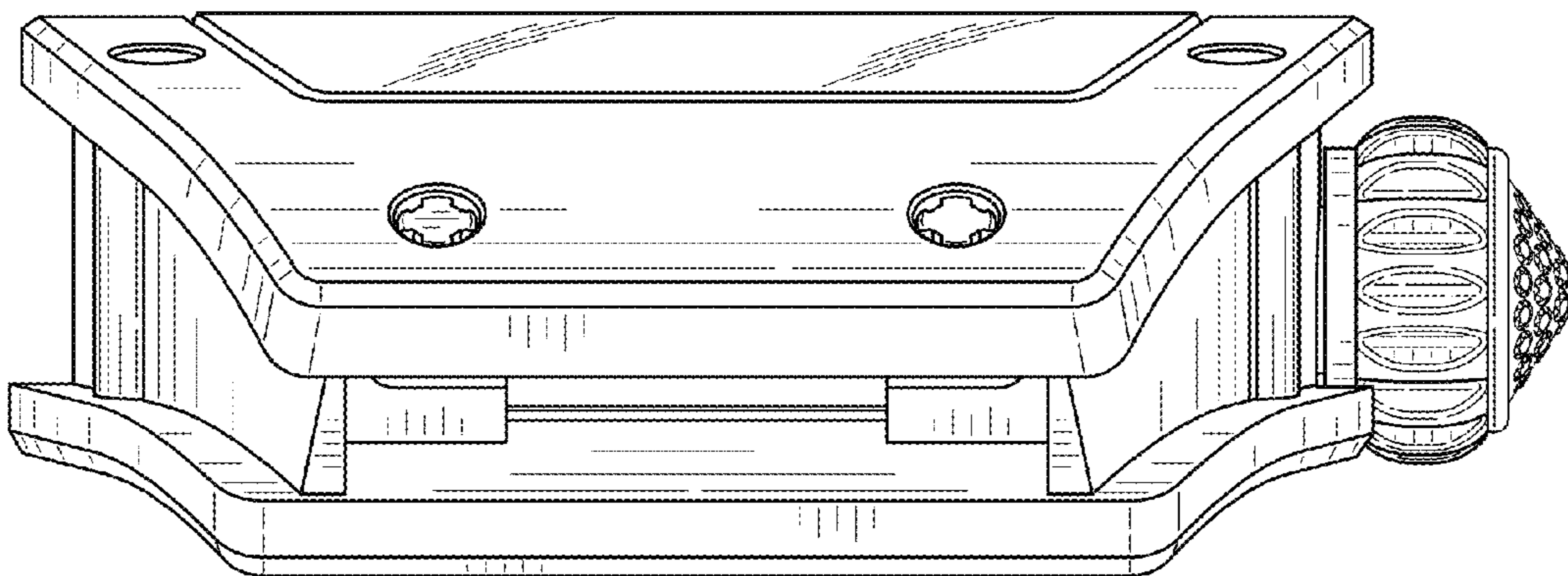


FIG. 8

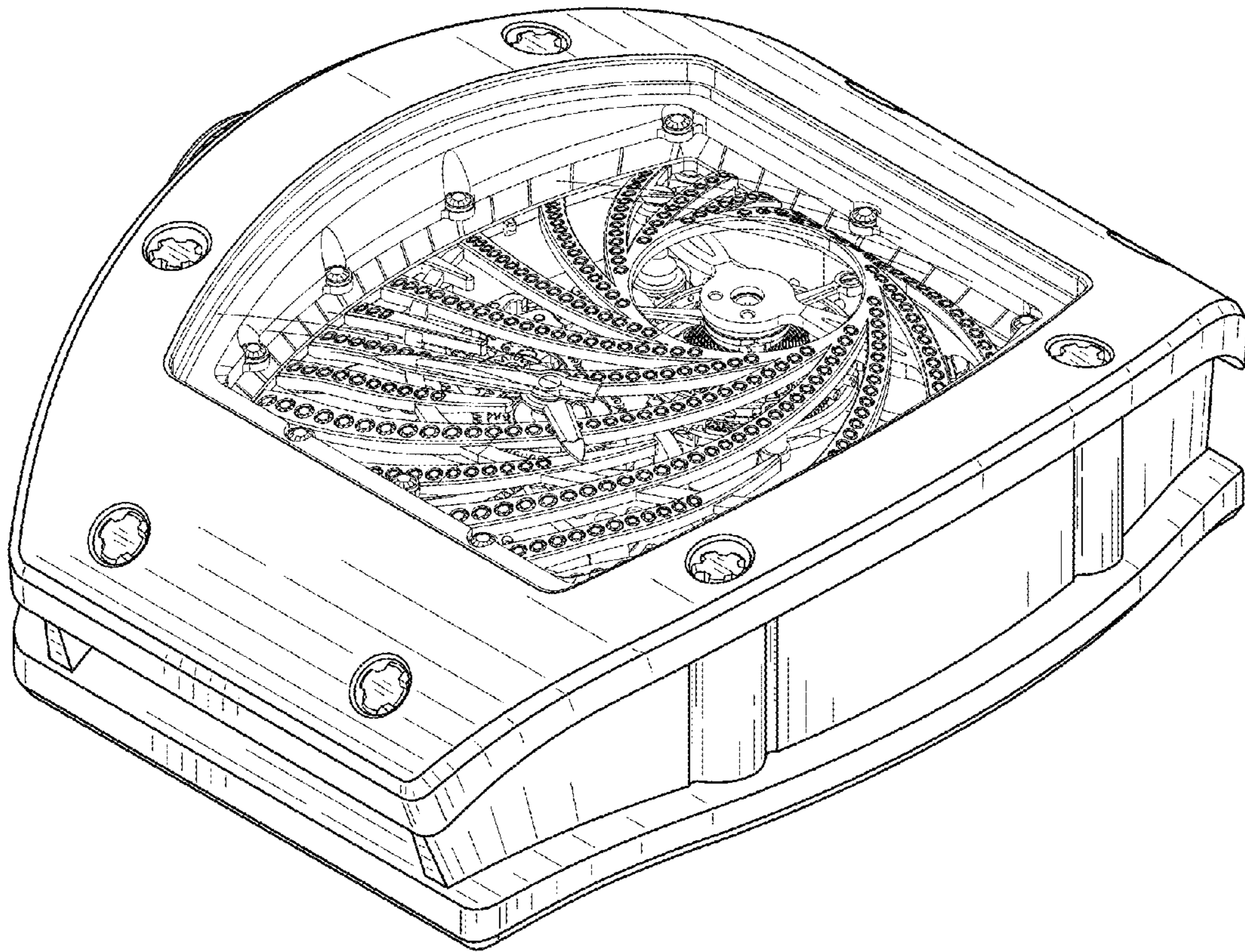


FIG. 9

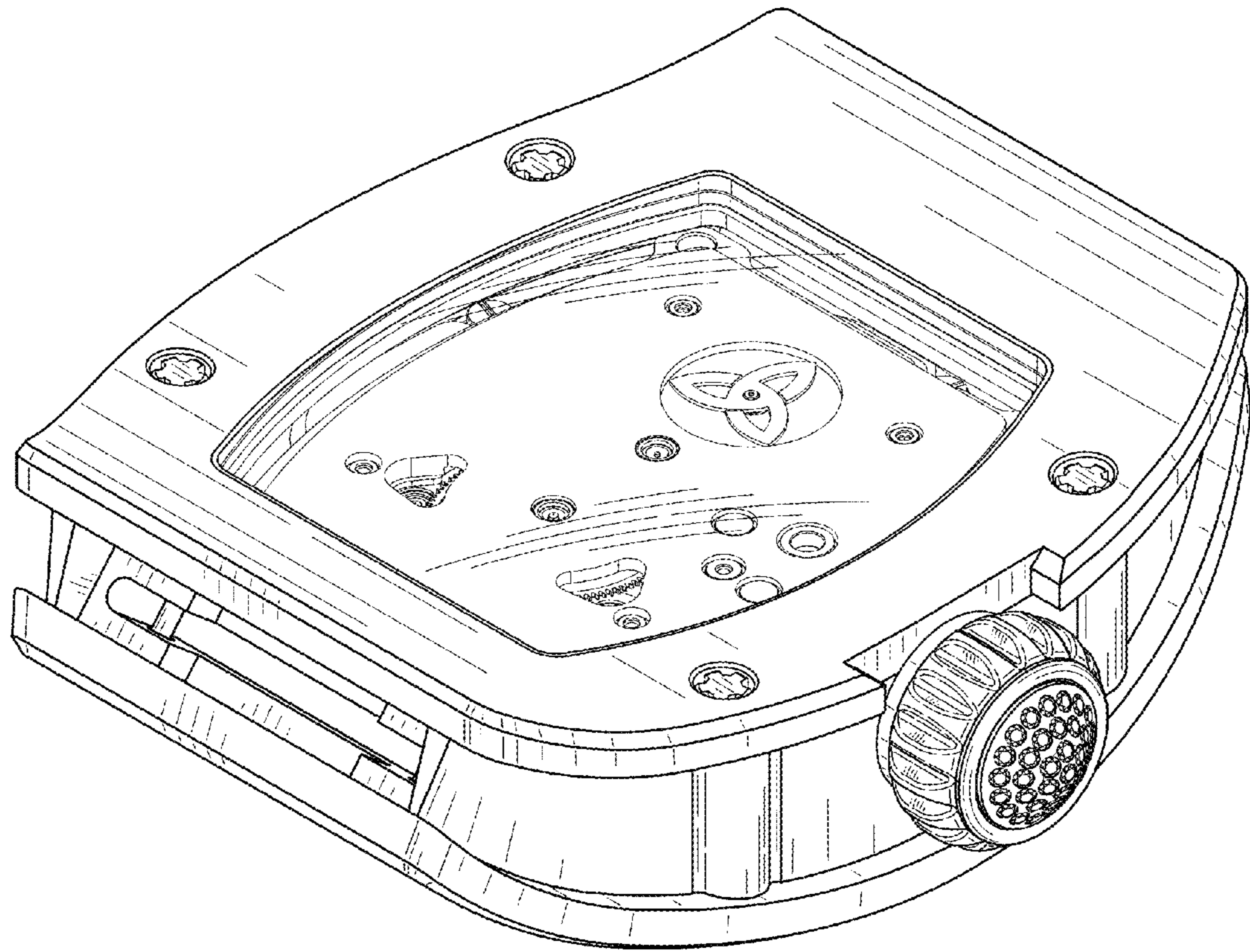


FIG. 10