



US00D753510S

(12) **United States Design Patent**
Puttorngul et al.

(10) **Patent No.:** **US D753,510 S**
(45) **Date of Patent:** **** Apr. 12, 2016**

- (54) **ELECTRONIC WATCH**
- (71) Applicants: **Pichaya Puttorngul**, Bangkok (TH);
Punwess Sukvanich, Nonraburi (TH)
- (72) Inventors: **Pichaya Puttorngul**, Bangkok (TH);
Punwess Sukvanich, Nonraburi (TH)
- (73) Assignee: **ATIZ INNOVATION CO., LTD.**,
Bangkok (TH)
- (**) Term: **14 Years**
- (21) Appl. No.: **29/464,286**
- (22) Filed: **Aug. 15, 2013**
- (51) **LOC (10) Cl.** **10-02**
- (52) **U.S. Cl.**
USPC **D10/30; D10/38; D14/344**
- (58) **Field of Classification Search**
USPC D10/30-39, 1-29, 122-132; D14/138 R,
D14/344
CPC G04B 37/00; G04B 37/0008; G04C 3/00;
G04C 3/001; G04C 3/002; G04G 9/00;
G04G 9/0017; G04G 9/0058; G04G 9/04;
G04G 9/06; G04G 9/107; G04G 17/00;
G04G 17/005; G04G 17/08
See application file for complete search history.

D655,631 S	3/2012	Ruefenacht	
D664,048 S	7/2012	Mille	
D667,126 S *	9/2012	Cho et al.	D24/186
D673,867 S	1/2013	Oliveira	
D674,488 S *	1/2013	McKay et al.	D24/167
D708,534 S *	7/2014	Martin	D10/104.1
2010/0112949 A1 *	5/2010	Kim et al.	455/41.3
2012/0041278 A1 *	2/2012	Sadhu	600/301

OTHER PUBLICATIONS

<http://www.chinatradersonline.com/files3/2011-1/5/led-watch--electronic-watch--fashion-design-watch-17111942801.jpg>.

* cited by examiner

Primary Examiner — Martie K Holtje
(74) *Attorney, Agent, or Firm* — Raj Abhyanker, P.C.

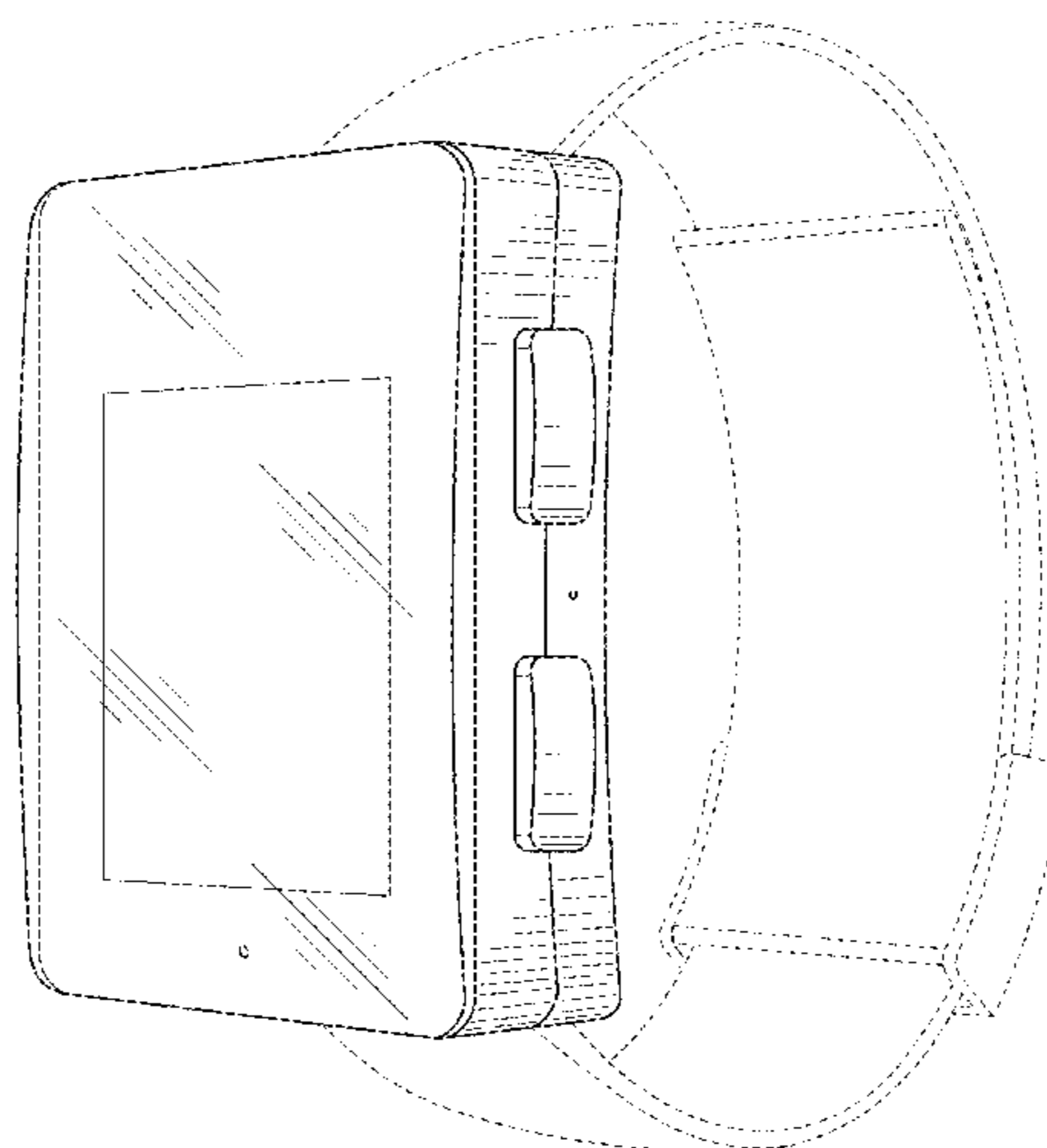
(57) **CLAIM**
The ornamental design for an electronic watch, as shown and described.

DESCRIPTION

FIG. 1 is a left front perspective view of electronic watch showing my new design;
 FIG. 2 is a right front perspective view thereof;
 FIG. 3 is a front elevational view thereof;
 FIG. 4 is a rear elevational view thereof;
 FIG. 5 is a right side elevational view thereof;
 FIG. 6 is a left side elevational view thereof;
 FIG. 7 is a top plan view thereof;
 FIG. 8 is a bottom plan view thereof; and,
 FIG. 9 is a second rear elevational view thereof.
 The structural features depicted by broken lines in FIGS. 5, 6 and 9 have been shown for the purpose of illustrating portions of the electronic watch that form no part of the claimed design.
 The strap element depicted by broken lines in FIGS. 1 through 8 has been shown for the purpose of illustrating environment that forms no part of the claimed design.

1 Claim, 8 Drawing Sheets

- (56) **References Cited**
U.S. PATENT DOCUMENTS
- | | | | |
|----------------|---------|----------------------|---------|
| 2,553,089 A * | 5/1951 | Holder | 368/282 |
| 5,838,643 A * | 11/1998 | Reiner | 368/223 |
| 6,130,861 A * | 10/2000 | Della Felice | 368/276 |
| 6,678,535 B1 * | 1/2004 | Narayanaswami | 455/557 |
| D528,928 S * | 9/2006 | Burton | D10/38 |
| D542,157 S * | 5/2007 | Lafever et al. | D10/32 |
| D577,611 S | 9/2008 | Lalo | |
| 7,708,457 B2 * | 5/2010 | Girardin et al. | 368/287 |
| D628,909 S * | 12/2010 | Giannini | D10/32 |
| D638,723 S * | 5/2011 | Ong | D10/32 |
| D650,706 S | 12/2011 | Zanella et al. | |



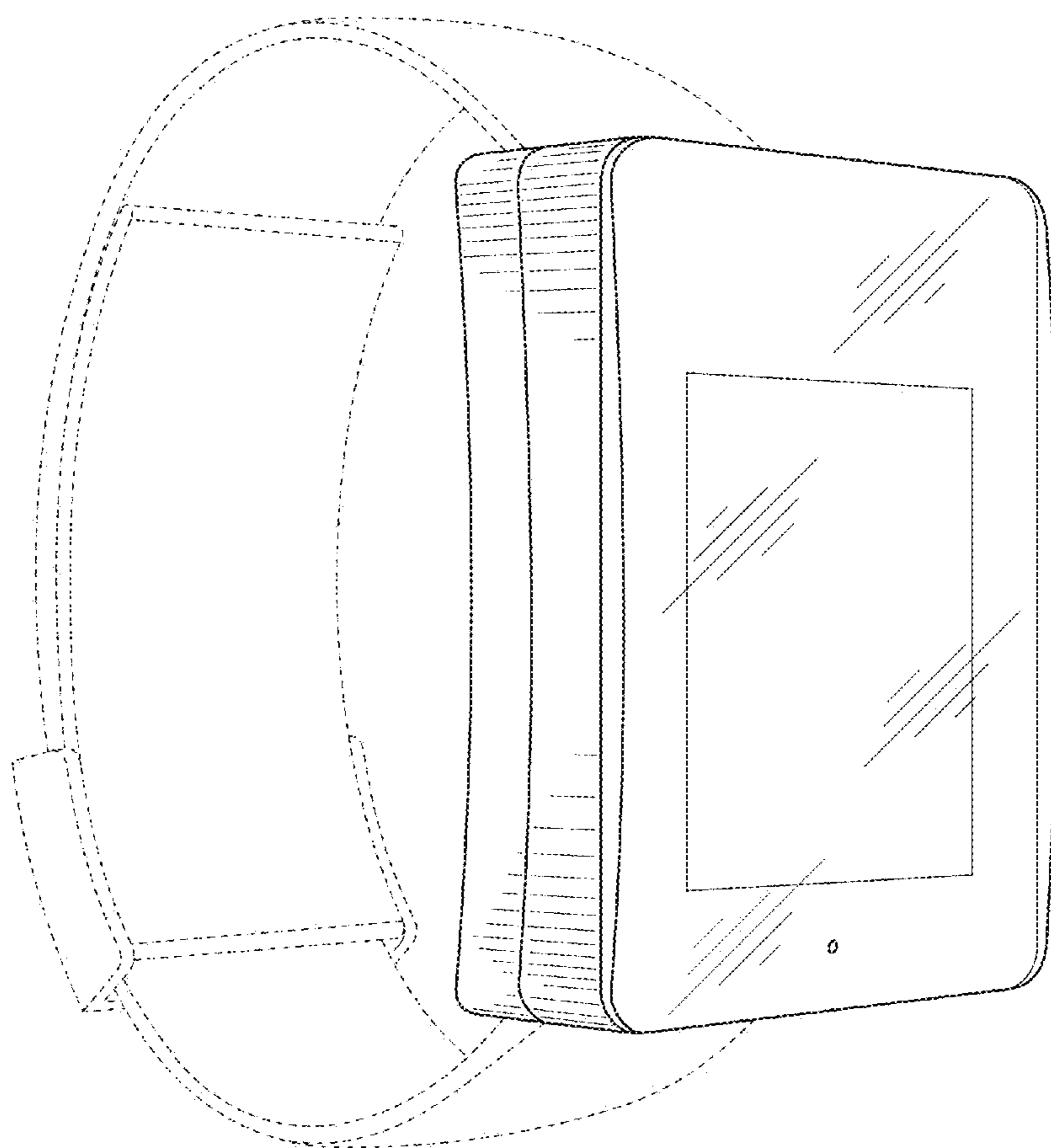


FIG. 1

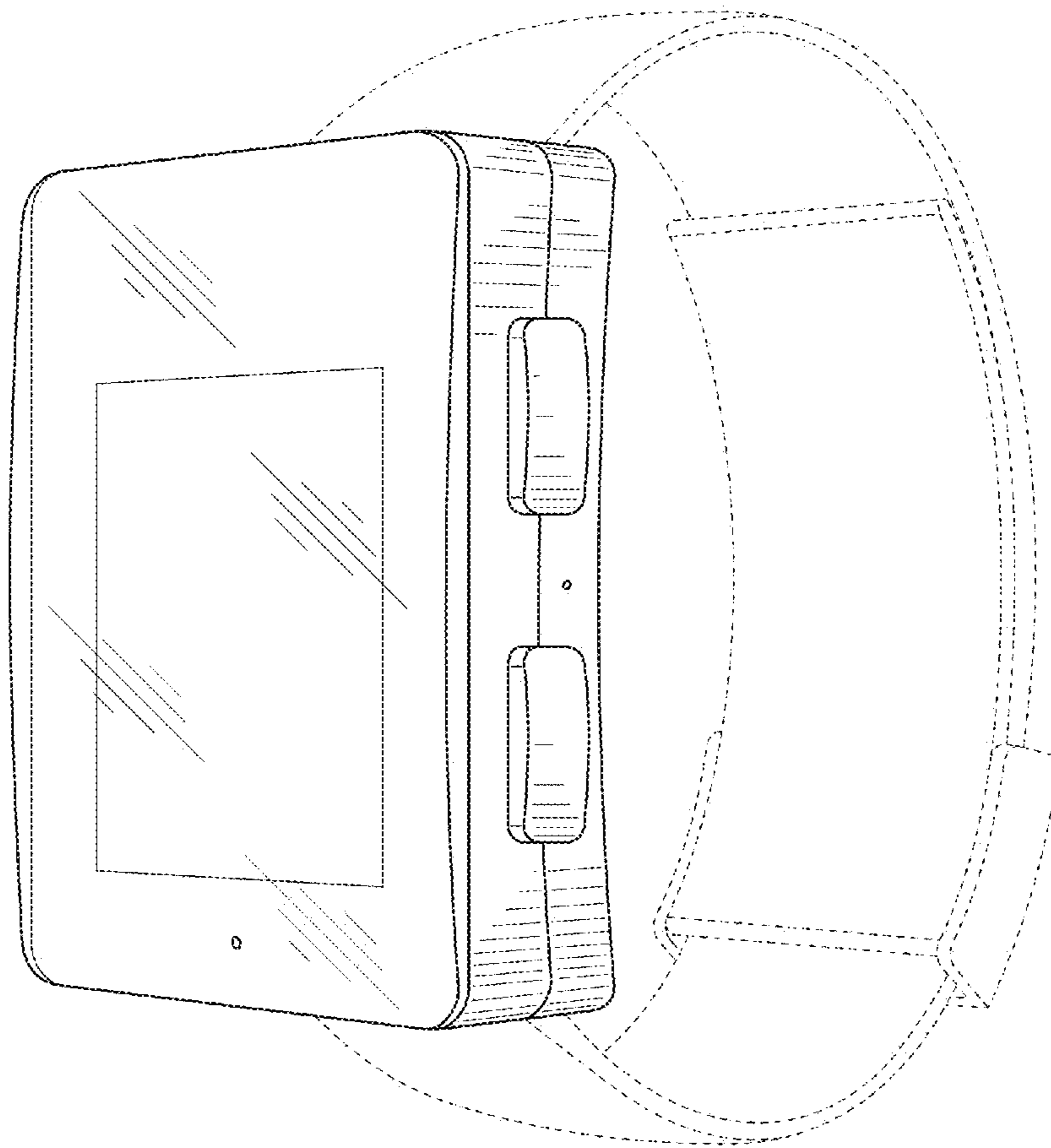


FIG. 2

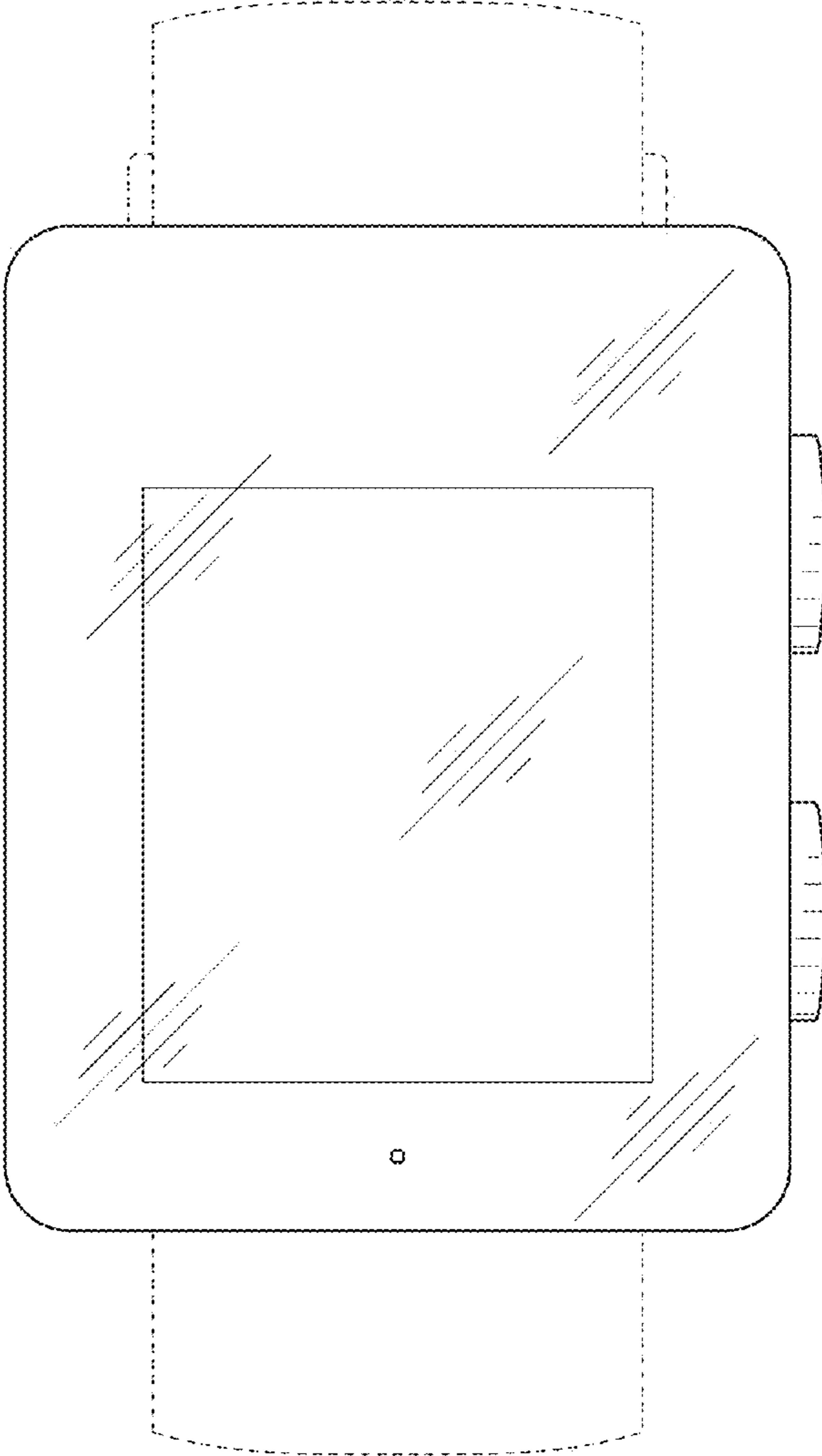


FIG. 3

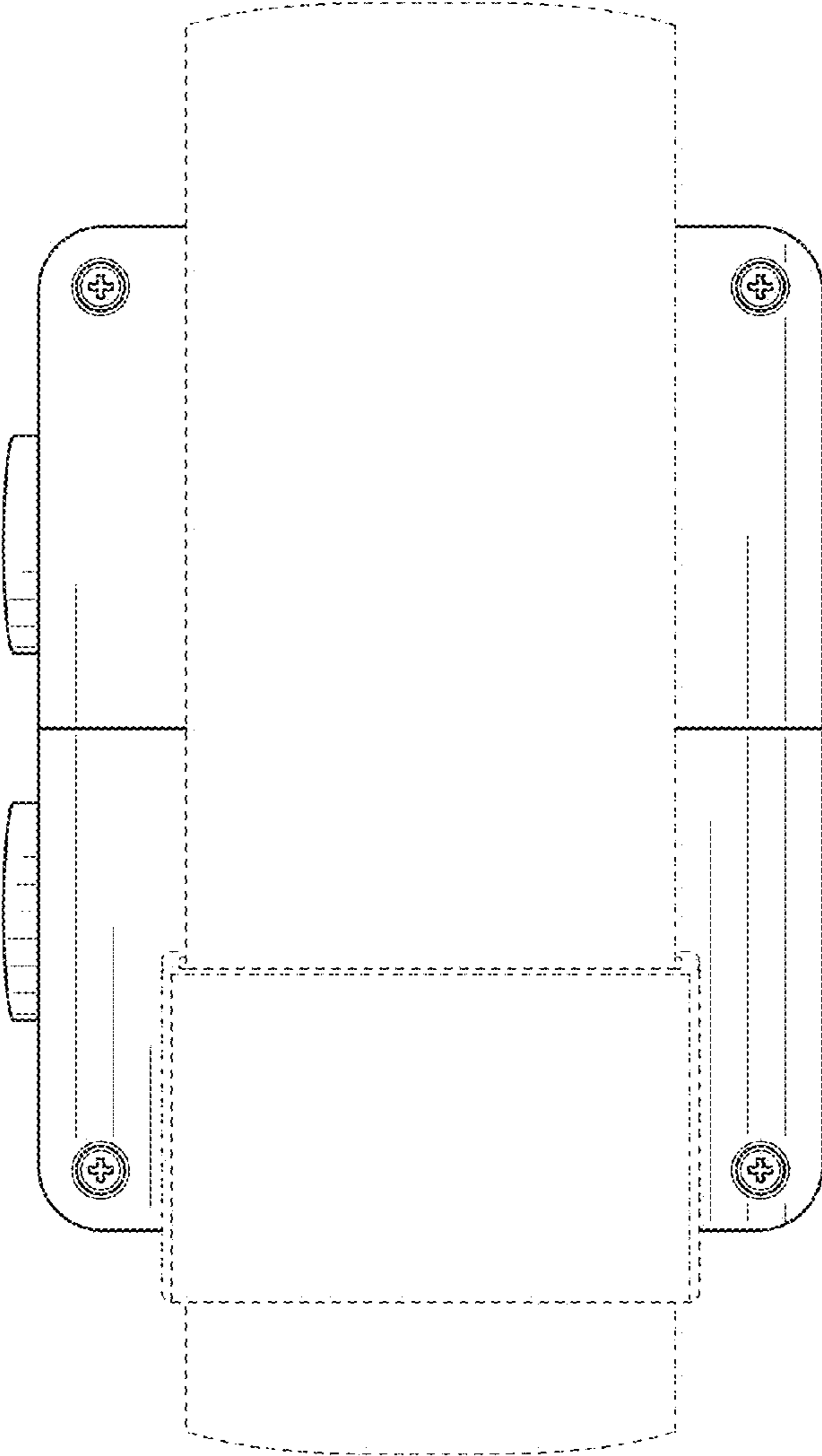


FIG. 4

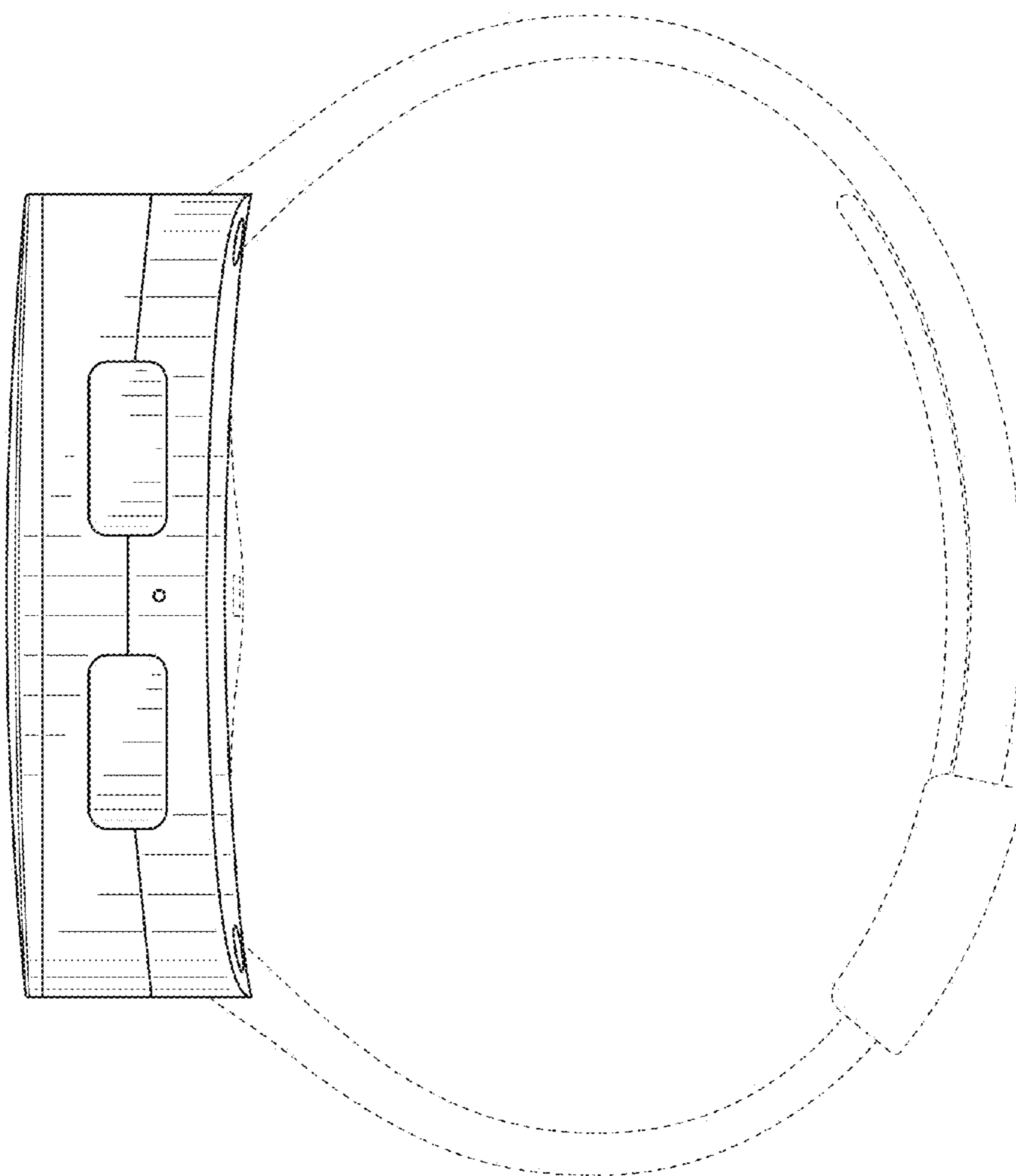


FIG. 5

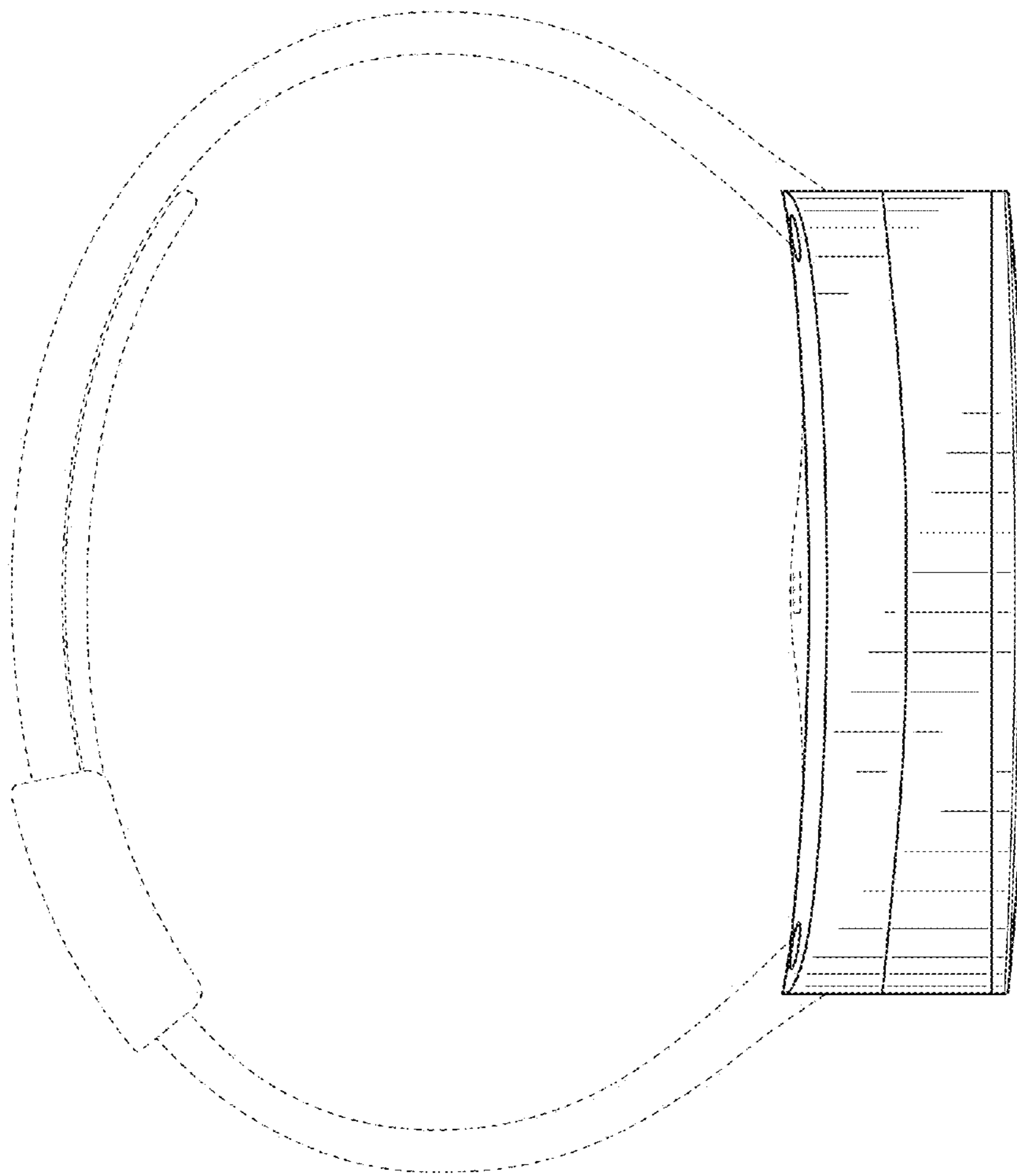


FIG. 6

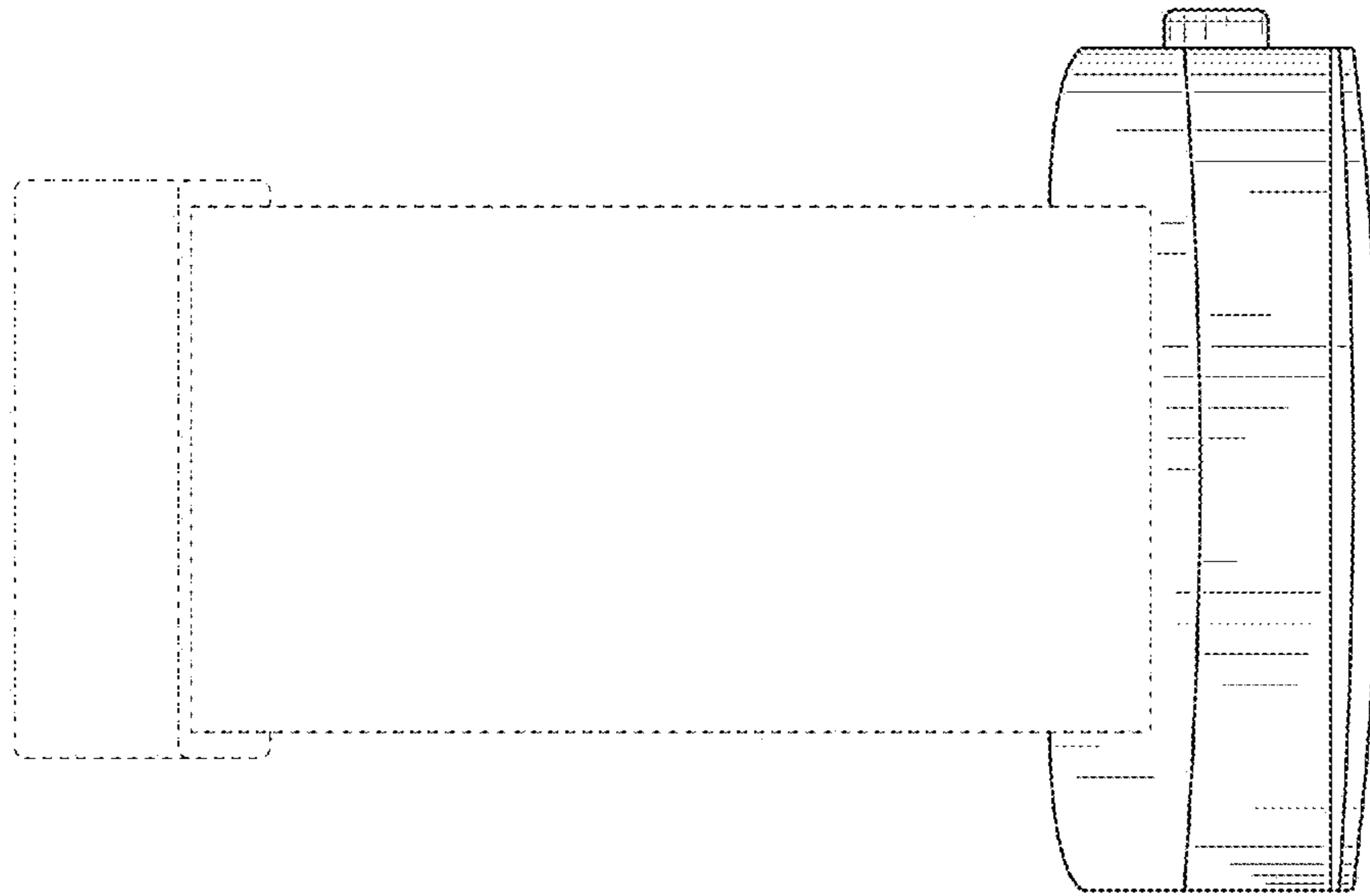


FIG. 7

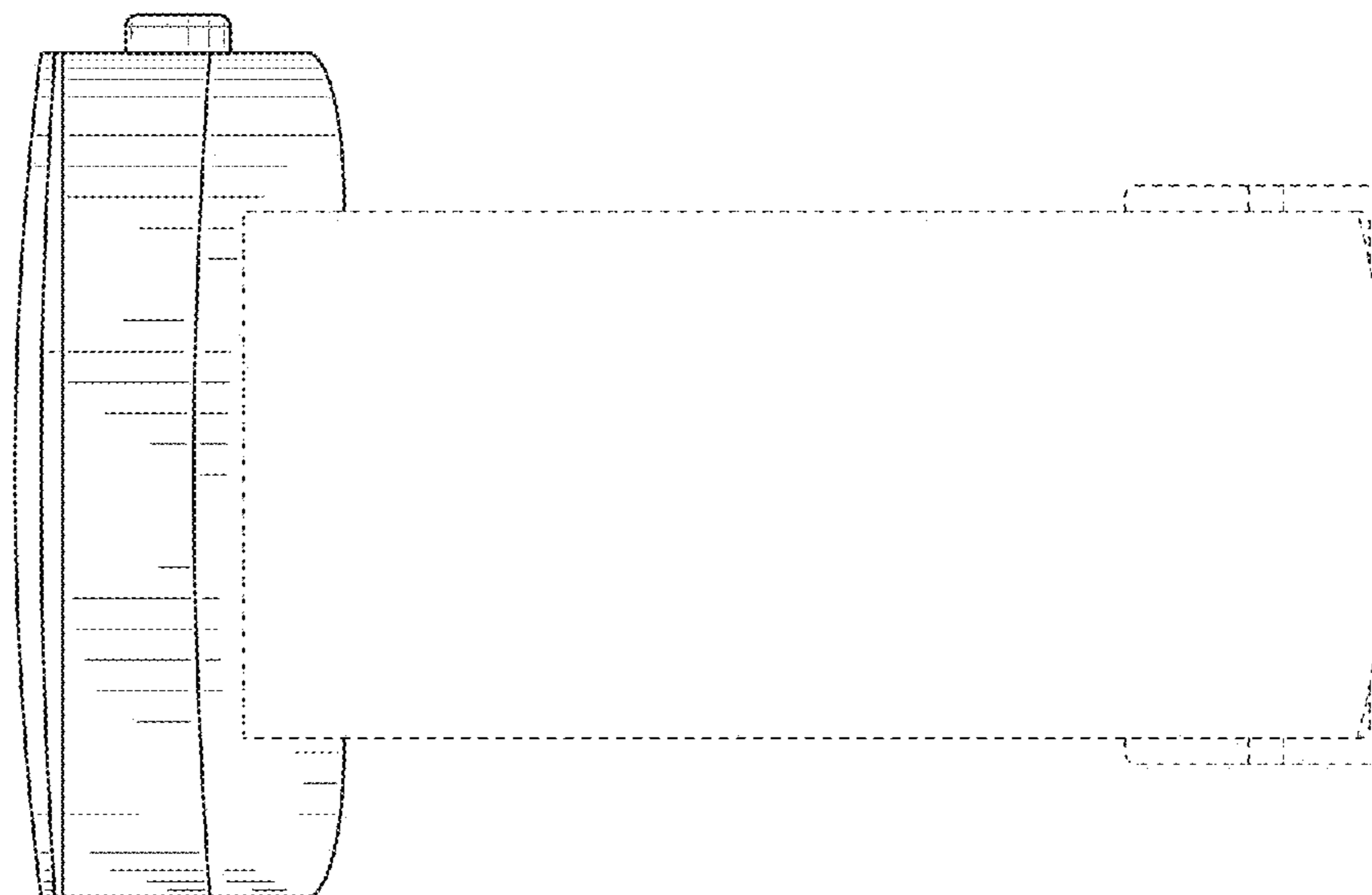


FIG. 8

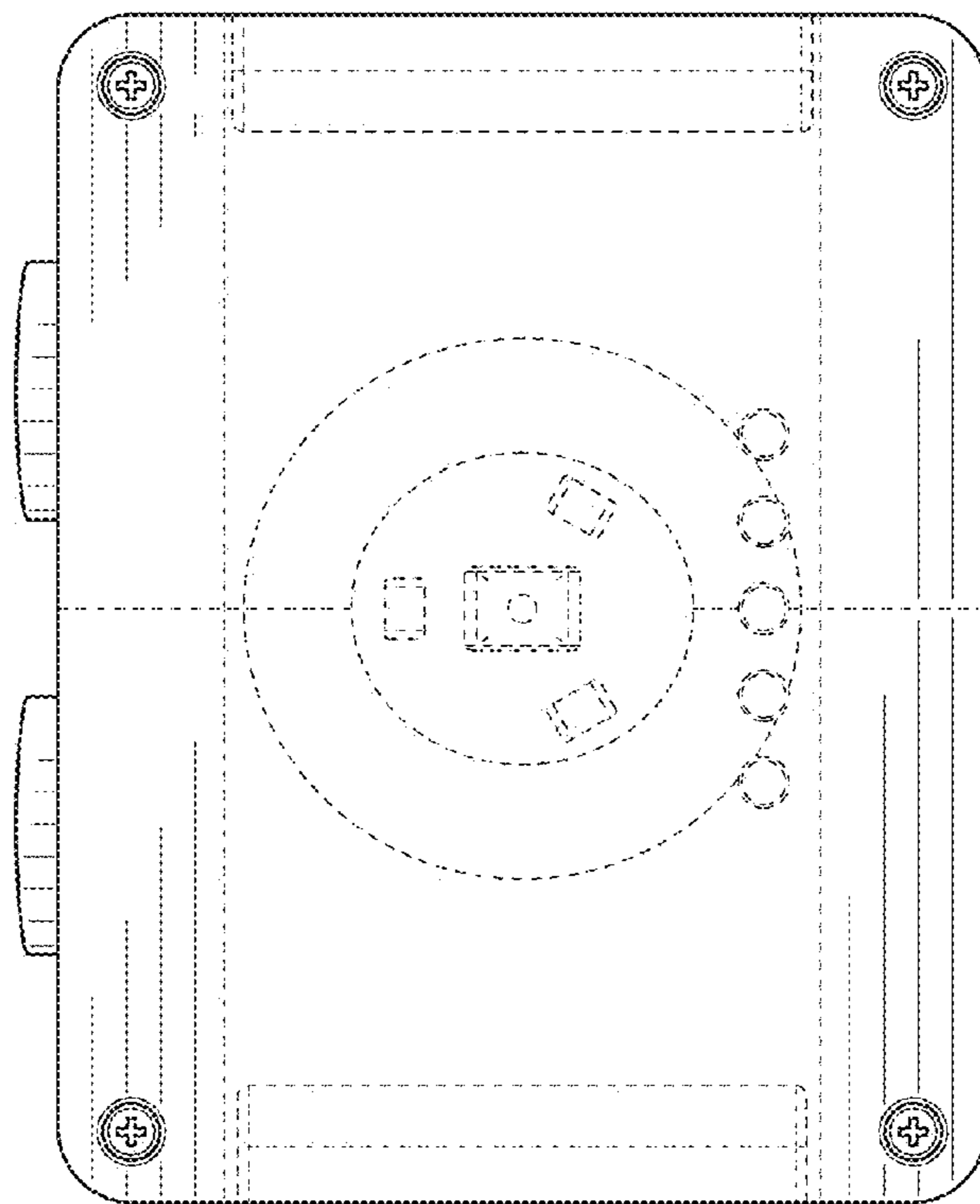


FIG. 9