



US00D753508S

(12) **United States Design Patent**
Kim

(10) **Patent No.:** **US D753,508 S**
(45) **Date of Patent:** **** Apr. 12, 2016**

- (54) **SHIRT AND TIES ARRANGED IN A BOX**
- (71) Applicant: **Peacock Apparel Group, Inc.**, New York, NY (US)
- (72) Inventor: **Cin Kim**, Alpine, NJ (US)
- (73) Assignee: **PEACOCK APPAREL GROUP, INC.**, New York, NY (US)
- (**) Term: **14 Years**
- (21) Appl. No.: **29/461,697**
- (22) Filed: **Jul. 26, 2013**

Related U.S. Application Data

- (62) Division of application No. 29/428,013, filed on Jul. 25, 2012, now Pat. No. Des. 689,372, which is a division of application No. 29/411,258, filed on Jan. 18, 2012, now abandoned, which is a division of application No. 29/326,598, filed on Oct. 21, 2008, now Pat. No. Des. 660,721.

- (51) **LOC (10) Cl.** **09-01**
- (52) **U.S. Cl.**
USPC **D9/721**

- (58) **Field of Classification Search**
USPC D9/414, 415, 418, 423, 430, 432, 433, D9/434, 456, 457, 715, 721, 722, 737; D2/500-502, 600, 602, 605-607, 609, D2/728, 828-830, 840-842, 847, 849, 853, D2/854; 2/66, 77, 102, 115, 128, 144, 145, 2/148, 151, 154; 206/8, 213, 242, 275, 206/278, 279, 281, 282, 283, 289, 292, 293, 206/295, 297, 554, 745, 769, 770, 278.161, 206/299, 736; 229/71, 83, 87.15, 87.06, 229/87.17, 122, 125.08, 136, 203, 240, 275, 229/162.4, 161, 125.015, 125.34, 244, 193, 229/198.2; 116/234
CPC B65D 85/182; B65D 85/18; B65D 5/4204; B65D 2543/00194; B65D 2543/00296; B65D 2543/00694; B65D 2543/00805; B65D 2543/00944; B65D 43/021; B65D 5/02; B65D 5/103; B65D 5/2009; B65D 5/2057; B65D 5/4208; B65D 75/36; B65D 77/003; A41D 25/00

See application file for complete search history.

(56) **References Cited**

U.S. PATENT DOCUMENTS

698,266 A	4/1902	Elliott	
1,189,322 A *	7/1916	Way et al. B65D 75/36 206/278

(Continued)

OTHER PUBLICATIONS

U.S. Appl. No. 12/171,574, filed Jul. 11, 2008, Kim.

(Continued)

Primary Examiner — Dominic Simone

(74) *Attorney, Agent, or Firm* — Leason Ellis LLP

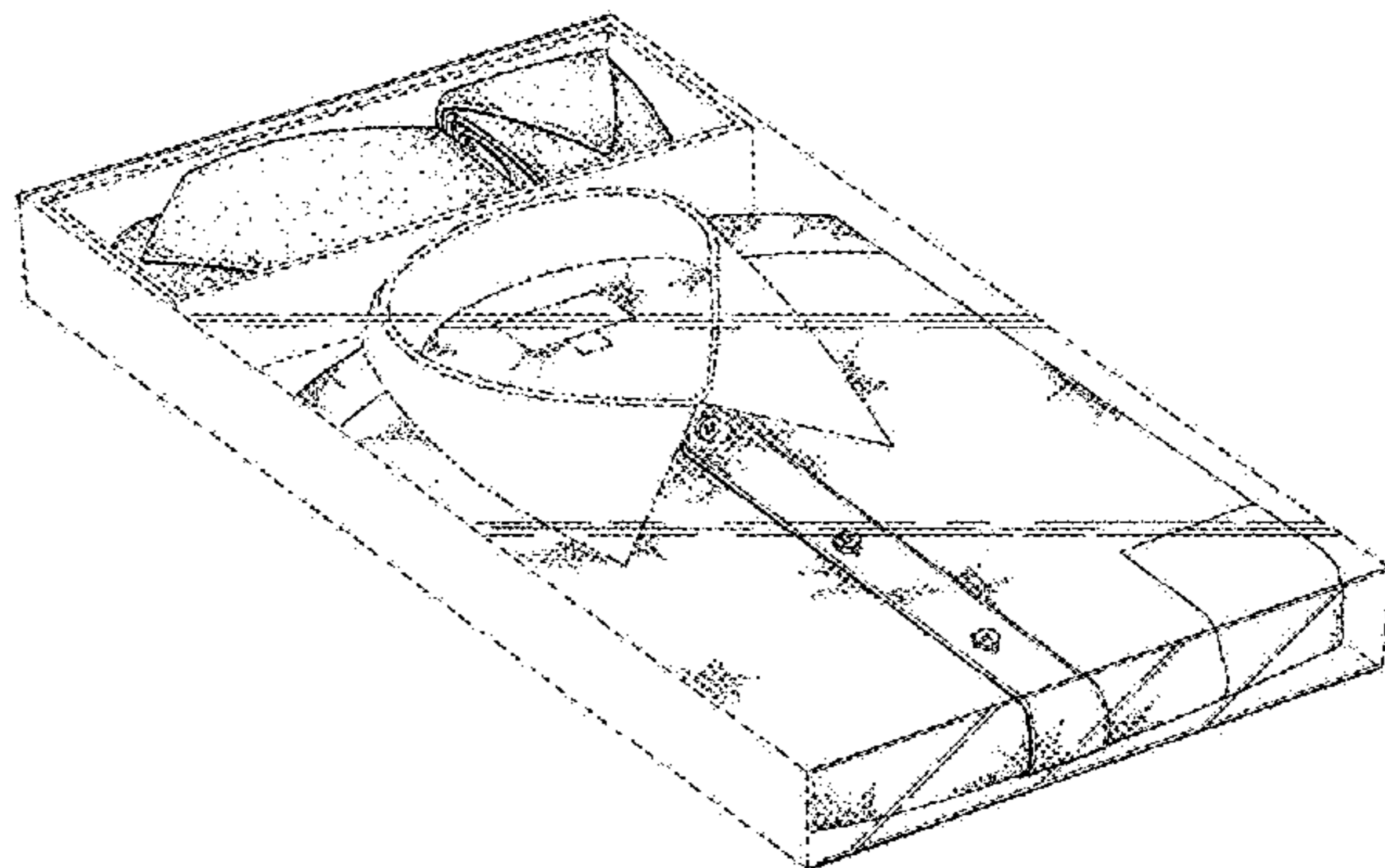
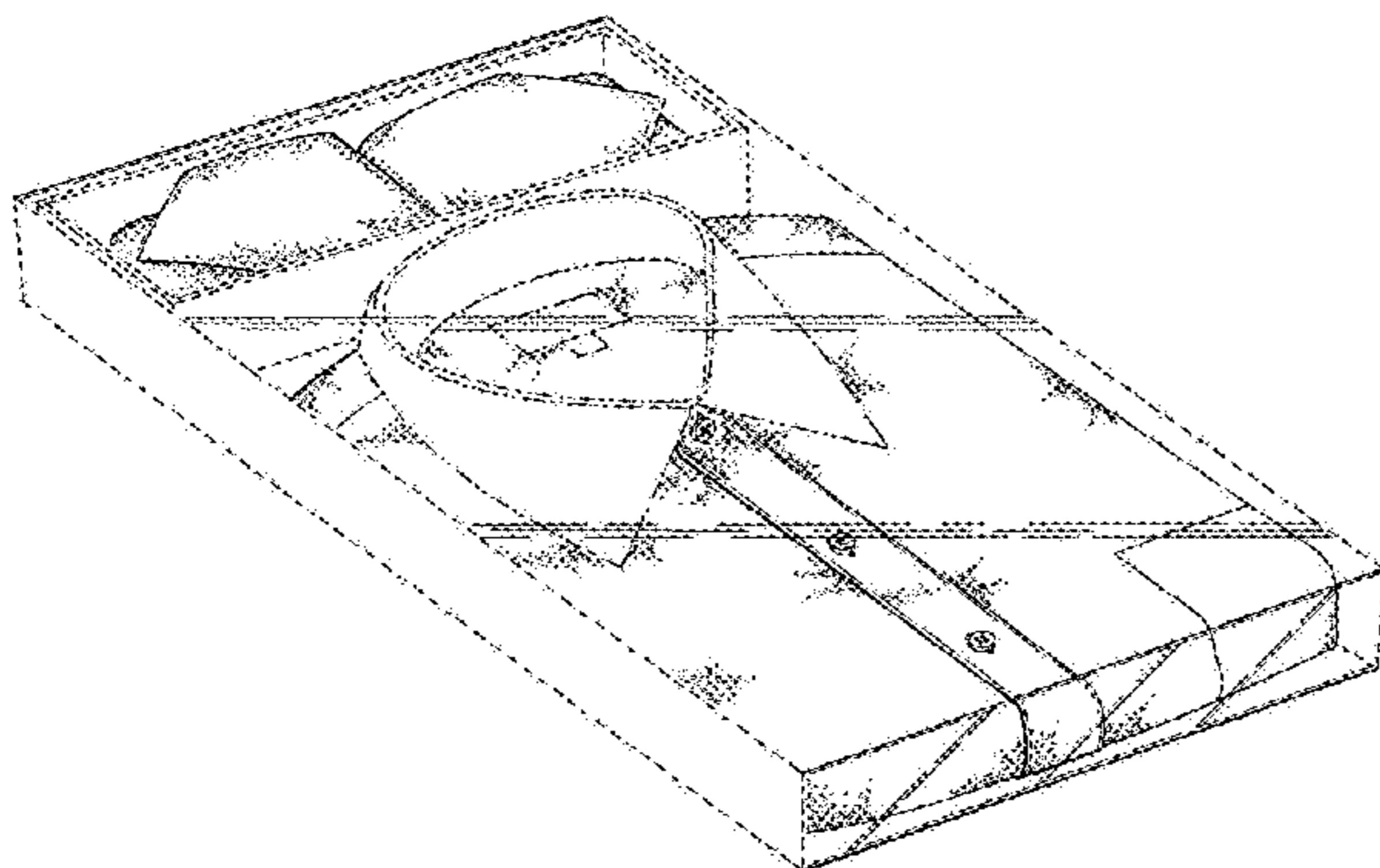
(57) **CLAIM**

The ornamental design for a shirt and ties arranged in a box, as shown and described.

DESCRIPTION

FIG. 1 is a top, front and side perspective view of a shirt and ties arranged in a box showing my new design according to a first arrangement;
 FIG. 2 is a top plan view thereof;
 FIG. 3 is a front elevation view thereof;
 FIG. 4 is a rear elevation view thereof;
 FIG. 5 is a bottom plan view thereof;
 FIG. 6 is a top, front and side perspective view of a shirt and ties arranged in a box showing my new design according to a third arrangement;
 FIG. 7 is a top plan view thereof;
 FIG. 8 is a front elevation view thereof;
 FIG. 9 is a rear elevation view thereof; and
 FIG. 10 is a bottom plan view thereof.
 The broken lines of FIGS. 1-10 are for illustrative purposes only and form no part of the claimed design. All sides not shown form no part of the claimed design.

1 Claim, 6 Drawing Sheets



(56)

References Cited

U.S. PATENT DOCUMENTS

1,862,353 A 6/1932 Allison
 2,063,255 A 12/1936 Madsen et al.
 2,233,207 A 2/1941 Gillam
 3,043,494 A 7/1962 Moore
 3,066,792 A 12/1962 Spilman
 3,346,881 A 10/1967 Mathison
 3,363,264 A 1/1968 Mathison
 3,511,364 A 5/1970 Airdo
 3,670,881 A 6/1972 Dutcher
 4,046,253 A 9/1977 Weaver
 4,173,792 A 11/1979 Intengan
 4,182,224 A 1/1980 Dutcher
 D261,479 S 10/1981 Marks
 4,762,272 A 8/1988 Herrin
 4,856,709 A 8/1989 Axelsson et al.
 4,933,991 A 6/1990 Love
 D337,269 S * 7/1993 Grieco D9/418
 D339,523 S * 9/1993 Bennett D9/418
 D343,356 S 1/1994 Wittman
 D346,960 S 5/1994 Bennett
 5,316,139 A 5/1994 Judd et al.
 D349,181 S 8/1994 Cheng
 5,499,484 A 3/1996 Herrin
 D368,588 S 4/1996 Goralesski et al.
 5,549,243 A 8/1996 Dorier et al.
 5,673,434 A 10/1997 Risk
 D390,339 S 2/1998 Dipietro
 6,041,998 A 3/2000 Goldberg et al.
 6,142,365 A 11/2000 Breitbach
 6,460,189 B1 10/2002 Welch
 D492,595 S 7/2004 Chang
 7,096,509 B2 8/2006 Kim
 7,114,220 B2 10/2006 Kim
 D546,674 S 7/2007 Limber
 D553,495 S 10/2007 Vandecasteele et al.
 7,310,857 B2 12/2007 Kim
 D565,965 S * 4/2008 Kim D9/721

D565,966 S * 4/2008 Kim D9/721
 D574,722 S * 8/2008 Kim D9/721
 D574,723 S * 8/2008 Kim D9/721
 D574,724 S * 8/2008 Kim D9/721
 D574,725 S * 8/2008 Kim D9/721
 D574,726 S * 8/2008 Kim D9/721
 D574,727 S * 8/2008 Kim D9/721
 D574,728 S * 8/2008 Kim D9/721
 D574,729 S * 8/2008 Kim D9/721
 D574,730 S * 8/2008 Kim D9/721
 D589,364 S * 3/2009 Kim D9/721
 D589,365 S * 3/2009 Kim D9/721
 D589,366 S * 3/2009 Kim D9/721
 D589,367 S * 3/2009 Kim D9/721
 D590,724 S * 4/2009 Kim D9/721
 D593,872 S * 6/2009 Kim D9/721
 D593,873 S * 6/2009 Kim D9/721
 D595,151 S * 6/2009 Kim D9/721
 D606,883 S * 12/2009 Kim D9/721
 D608,657 S * 1/2010 Kim D9/721
 D626,430 S * 11/2010 Kim D9/721
 2007/0062846 A1 3/2007 Kim

OTHER PUBLICATIONS

U.S. Appl. No. 29/318,152, filed May 14, 2008, Kim.
 U.S. Appl. No. 29/318,279, filed May 16, 2008, Kim.
 U.S. Appl. No. 29/318,283, filed May 16, 2008, Kim.
 U.S. Appl. No. 29/320,041, filed Jun. 19, 2008, Kim.
 U.S. Appl. No. 29/322,262, filed Jul. 31, 2008, Kim.
 U.S. Appl. No. 29/322,265, filed Jul. 31, 2008, Kim.
 U.S. Appl. No. 29/322,584, filed Aug. 7, 2008, Kim.
 U.S. Appl. No. 29/322,588, filed Aug. 7, 2008, Kim.
 U.S. Appl. No. 29/322,589, filed Aug. 7, 2008, Kim.
 U.S. Appl. No. 29/326,116, filed Oct. 13, 2008, Kim.
 U.S. Appl. No. 29/326,117, filed Oct. 13, 2008, Kim.
 U.S. Appl. No. 29/325,195, filed Sep. 26, 2008, Kim.
 U.S. Appl. No. 29/325,199, filed Sep. 26, 2008, Kim.

* cited by examiner

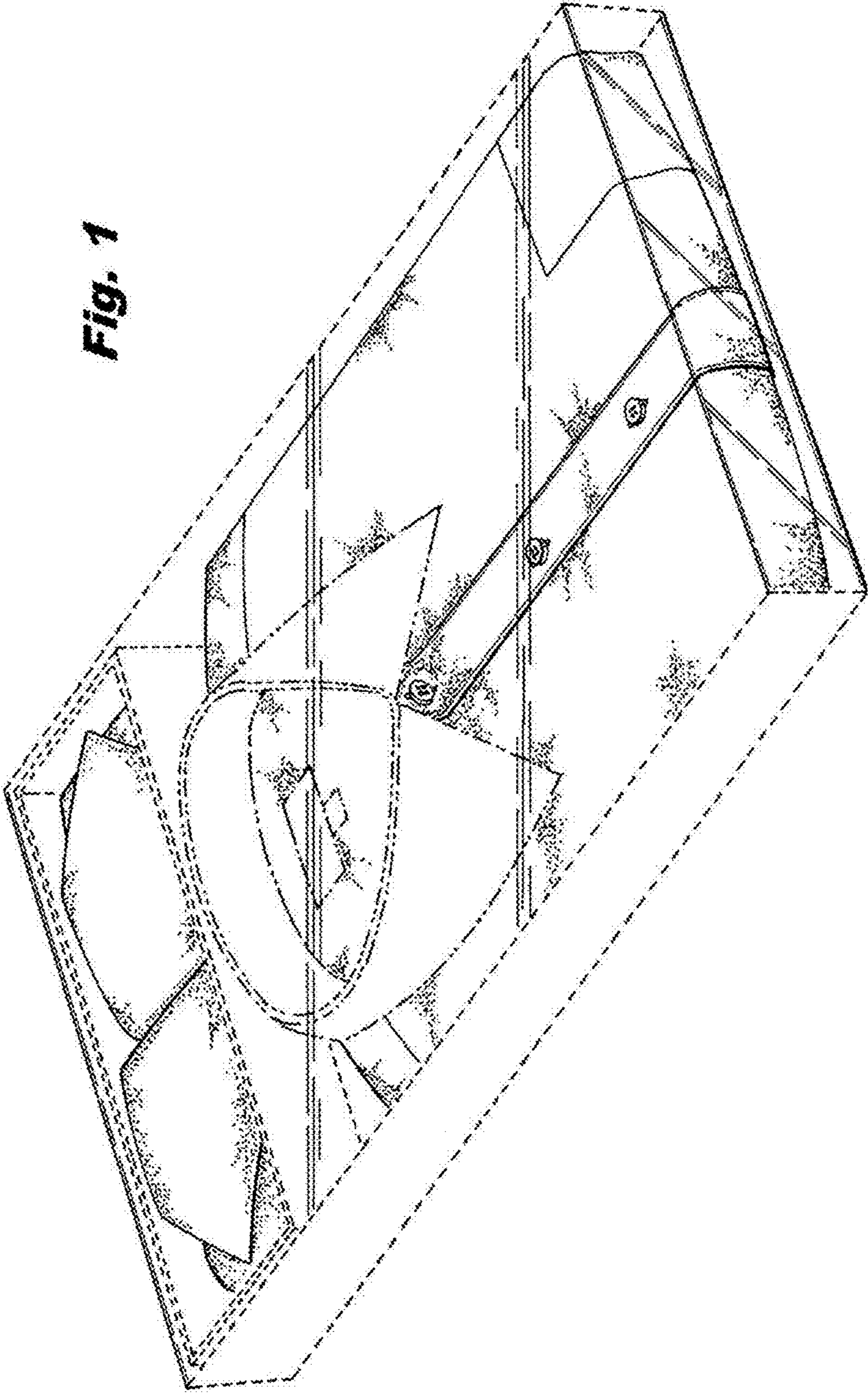


Fig. 1

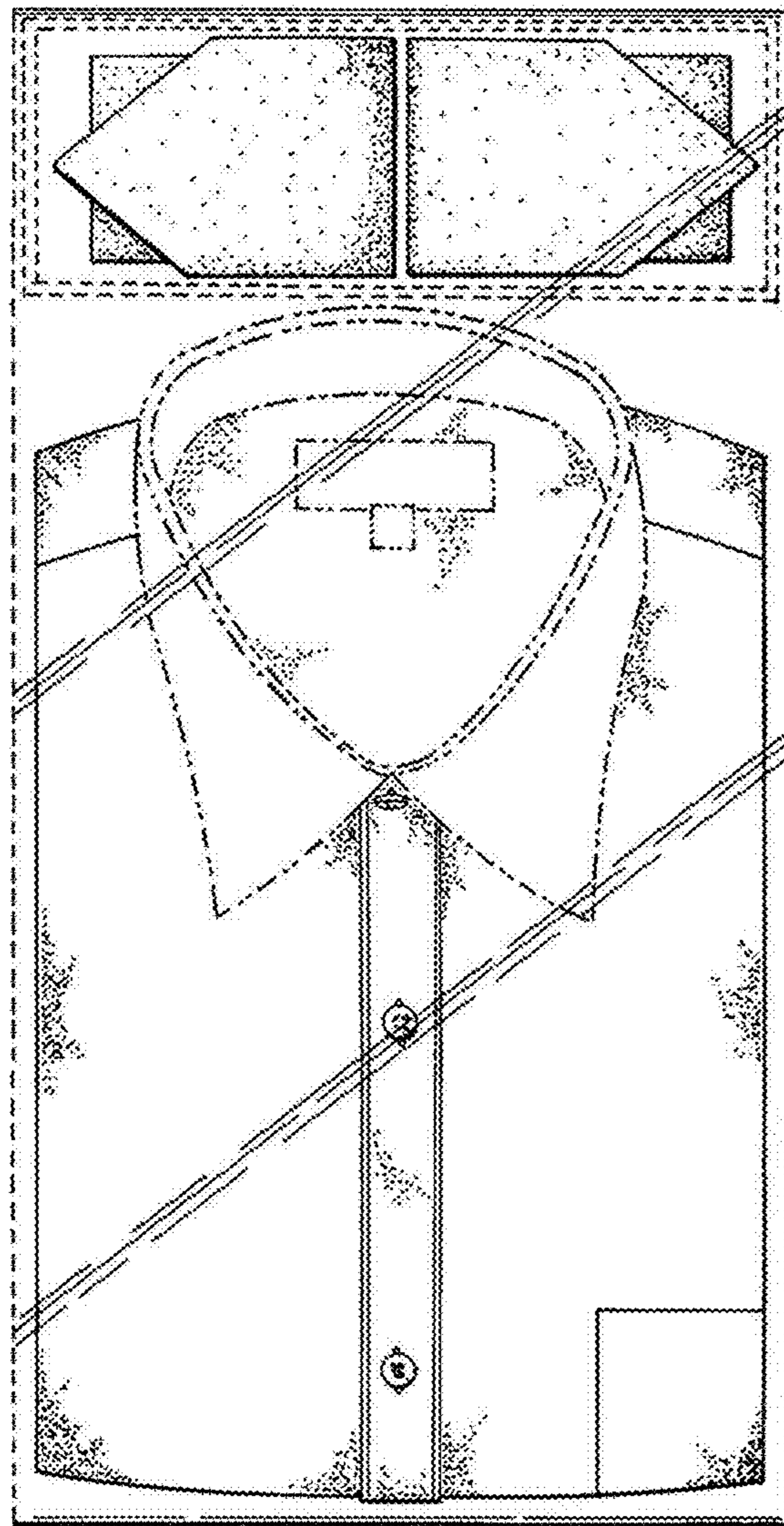


Fig. 2

Fig. 3



Fig. 4

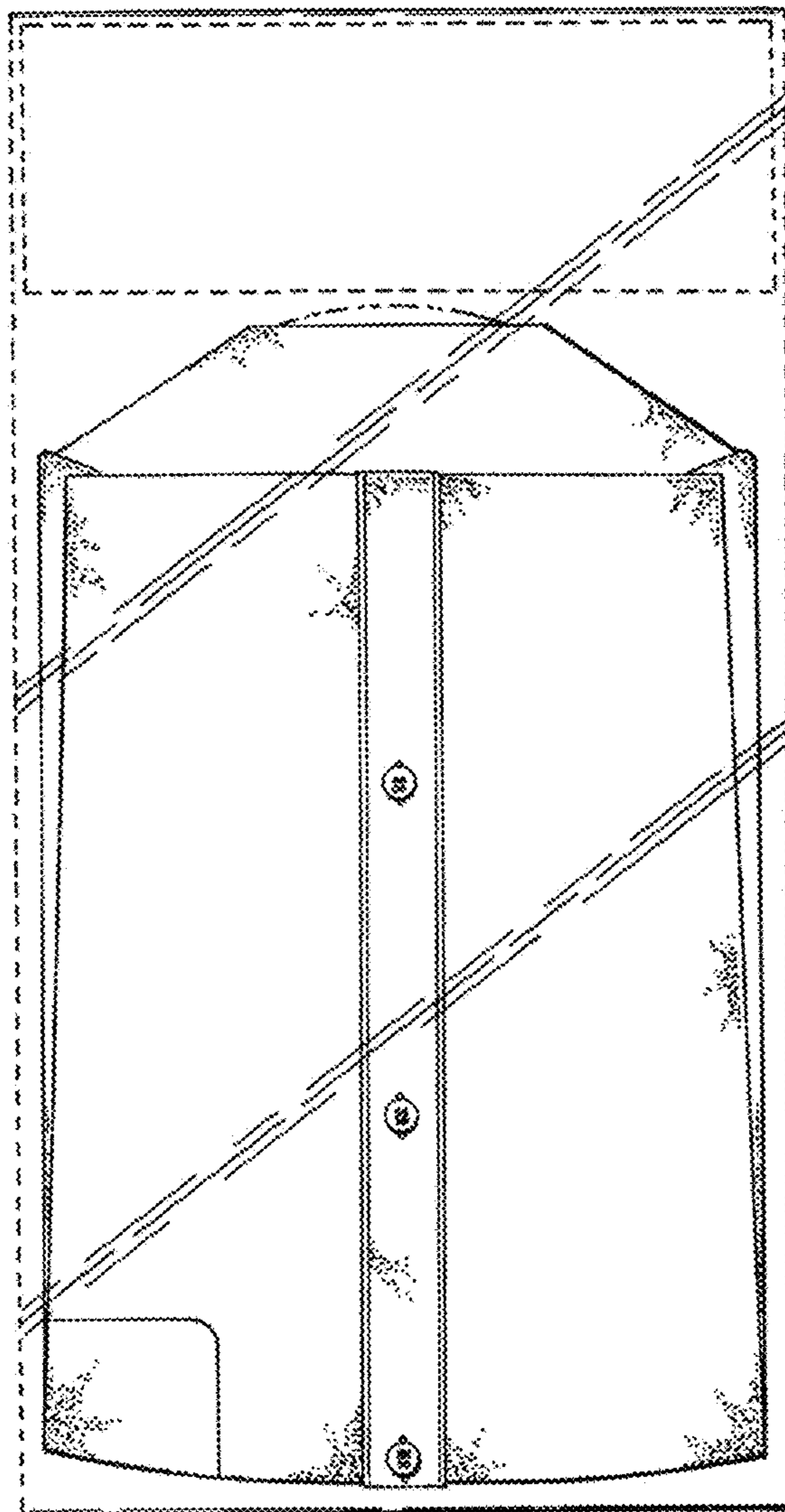
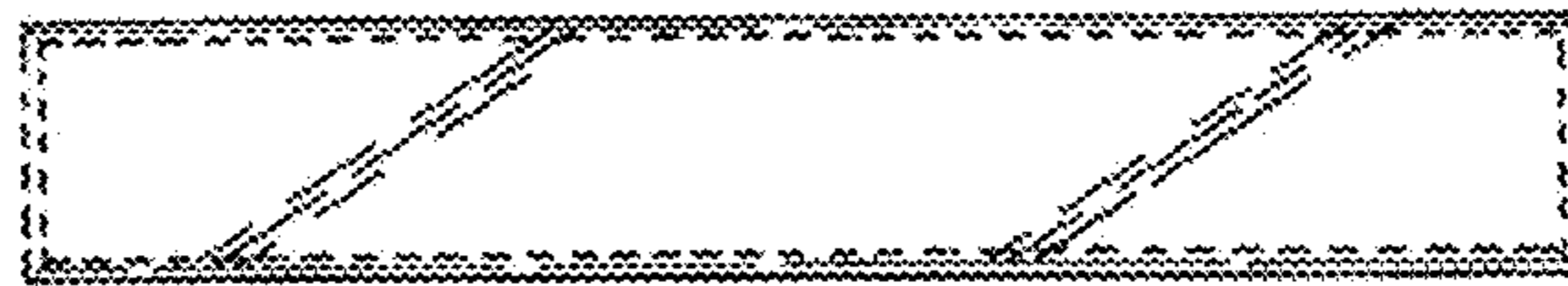
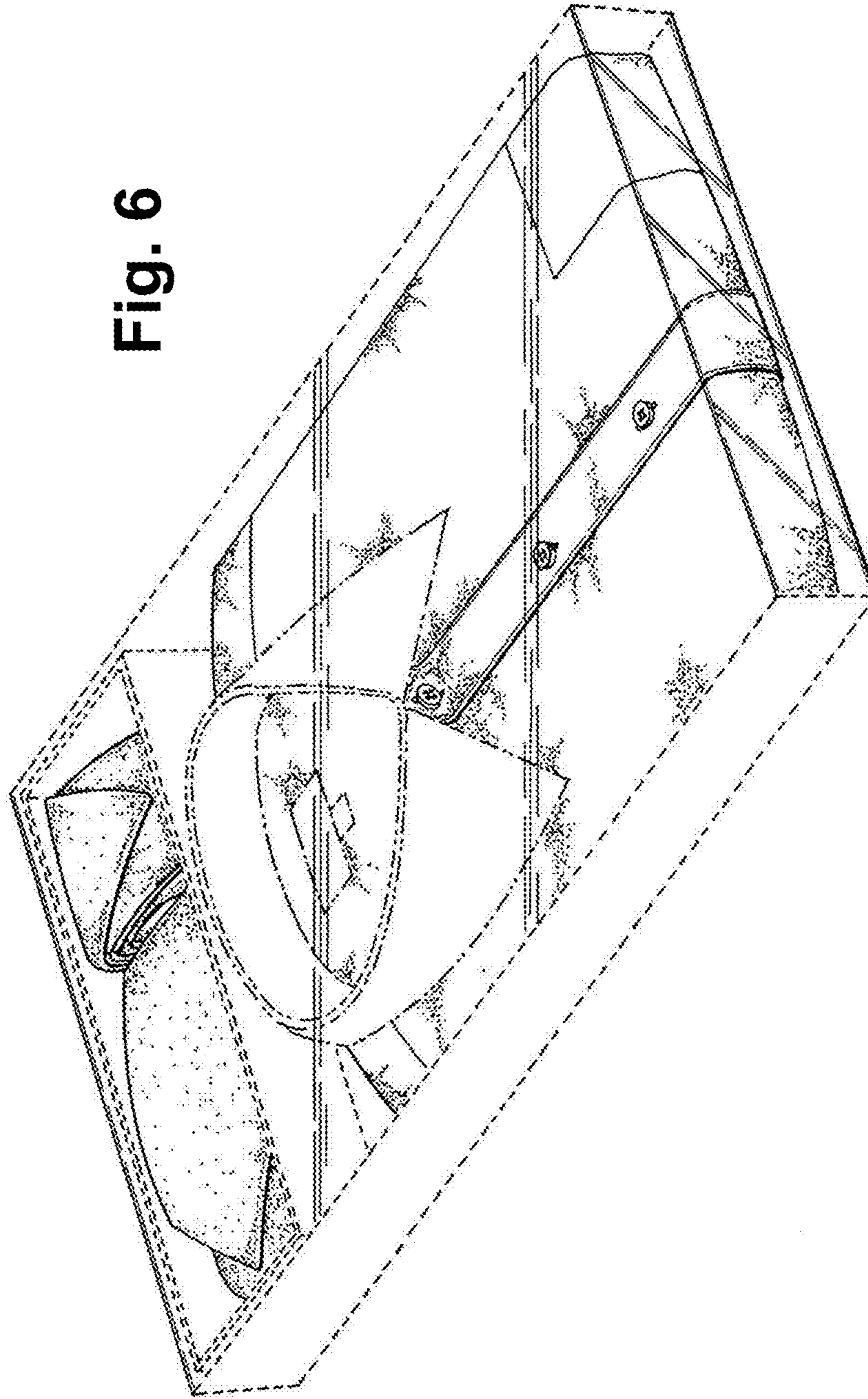


Fig. 5

Fig. 6



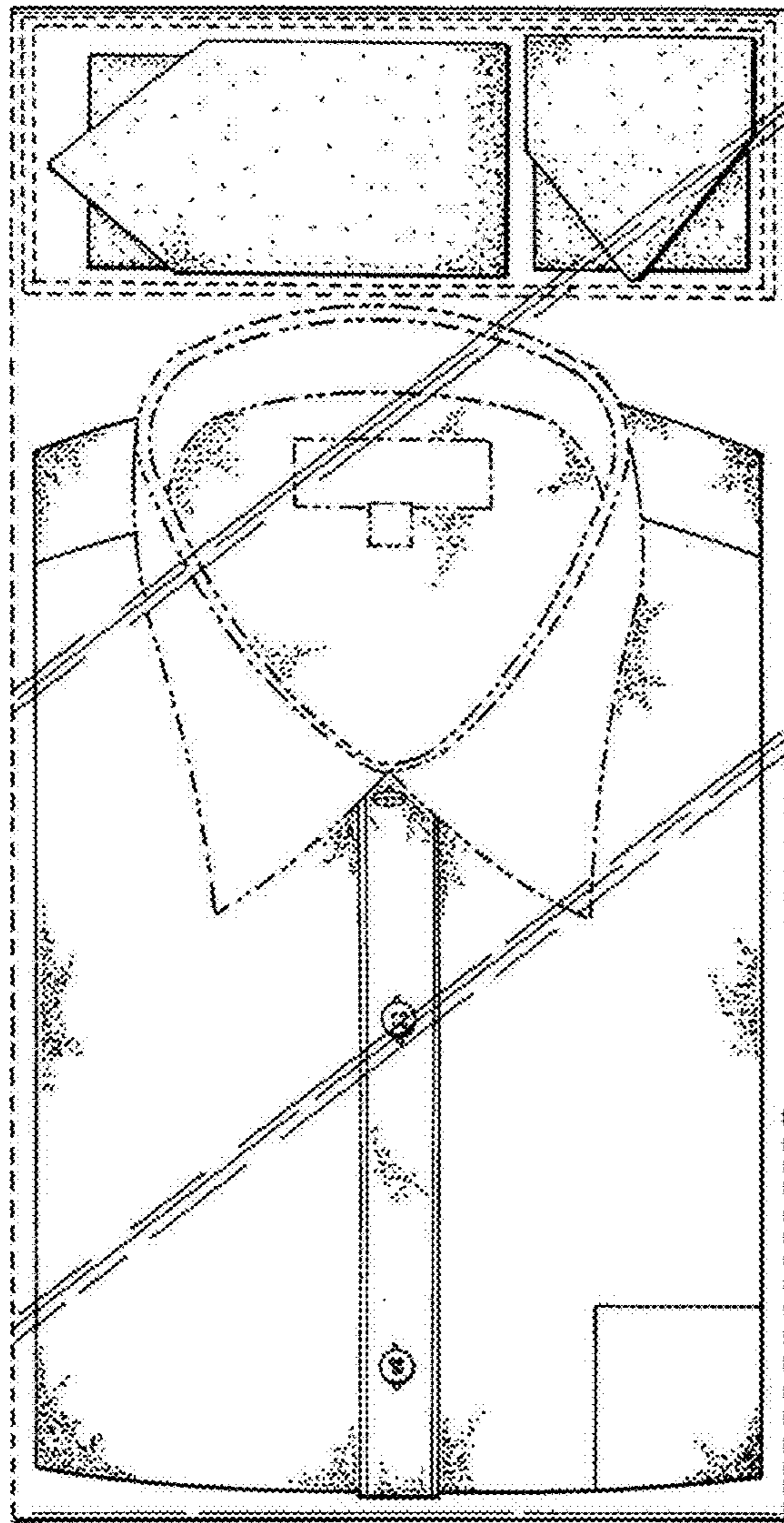


Fig. 7

Fig. 8



Fig. 9

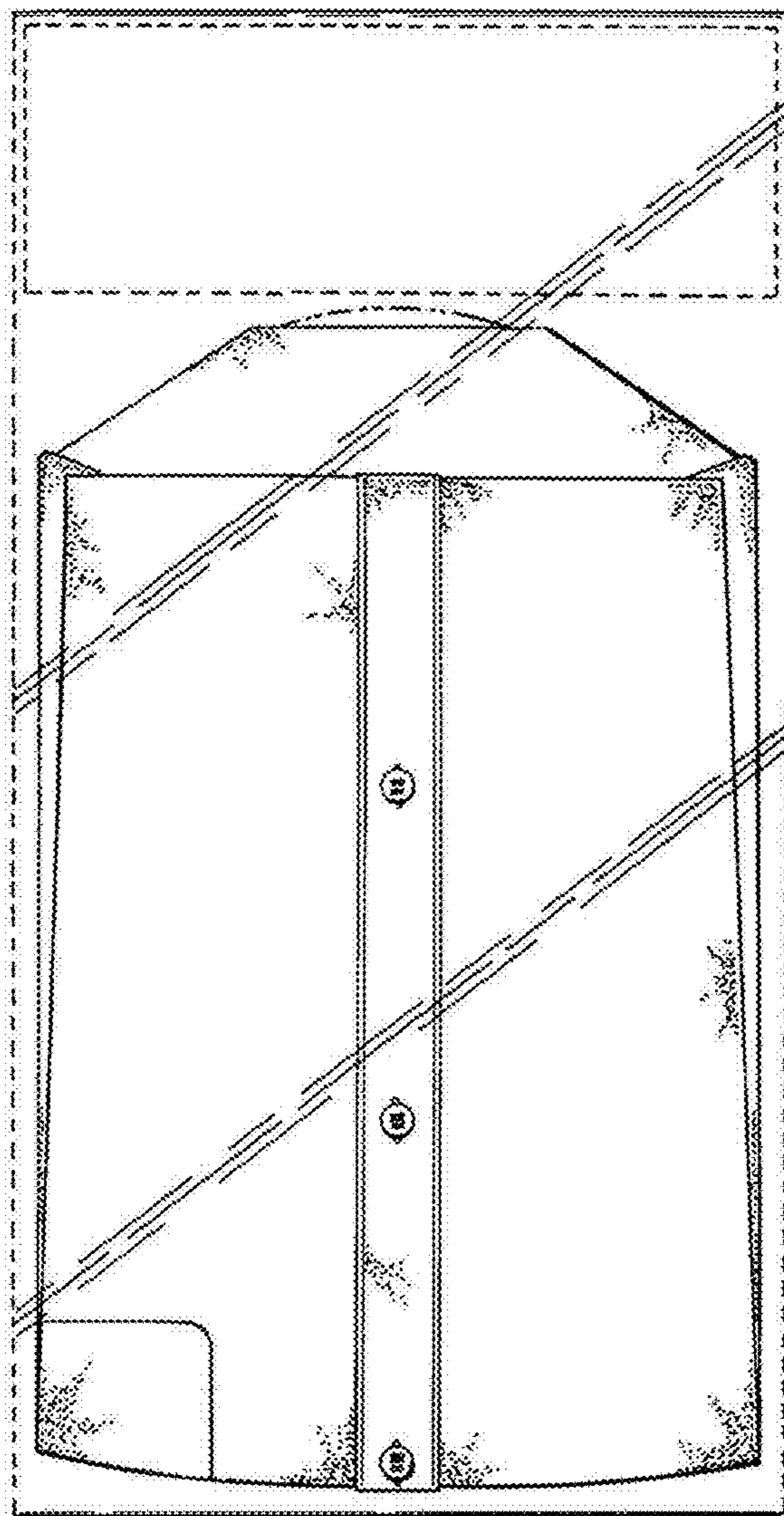


Fig. 10