

US00D753504S

(12) **United States Design Patent**
Miller et al.

(10) **Patent No.:** **US D753,504 S**
(45) **Date of Patent:** **** Apr. 12, 2016**

(54) **CONTAINER**

(71) Applicant: **Plastipak Packaging, Inc.**, Plymouth, MI (US)

(72) Inventors: **James J. Miller**, Barberton, OH (US);
Gary Ferguson, Tallmadge, OH (US)

(73) Assignee: **Plastipak Packaging, Inc.**, Plymouth, MI (US)

(**) Term: **14 Years**

(21) Appl. No.: **29/446,378**

(22) Filed: **Feb. 22, 2013**

(51) **LOC (10) Cl.** **09-01**

(52) **U.S. Cl.**
USPC **D9/565**; D9/516; D9/574; D9/569;
D9/570; D9/571

(58) **Field of Classification Search**
USPC D9/541, 552, 560, 565, 570;
D7/509-511, 590-600, 601-612;
D23/211.1-211.2, 225, 336; D24/121,
D24/124, 197, 224; D3/202; 215/381-385;
220/660, 662, 665, 669-673
CPC A61J 1/03; A61J 1/05; B65D 1/02;
B65D 1/0223; B65D 1/08; B65D 1/10;
A47G 19/22; A47G 19/2205; A47G 19/2266
See application file for complete search history.

(56) **References Cited**

U.S. PATENT DOCUMENTS

D178,258 S * 7/1956 North D9/541
4,308,955 A * 1/1982 Schieser et al. 206/509
D398,539 S * 9/1998 Guislain D9/564
D491,071 S * 6/2004 Degeyter et al. D9/565
D506,142 S * 6/2005 Gauthier D9/560

D538,672 S * 3/2007 Eaton et al. D9/543
D587,126 S * 2/2009 DeSico et al. D9/541
D598,772 S * 8/2009 Yourist et al. D9/541
D599,213 S * 9/2009 DeSico et al. D9/565
D631,753 S * 2/2011 Russell et al. D9/560
D632,182 S * 2/2011 Russell et al. D9/560
D633,391 S * 3/2011 Caldwell et al. D9/516
D637,494 S * 5/2011 Coley et al. D9/516
D653,550 S * 2/2012 Hunter D9/542
D655,176 S * 3/2012 Kraft et al. D9/541
D670,175 S * 11/2012 Philip et al. D9/569
D670,562 S * 11/2012 Lembke D9/516
D682,700 S * 5/2013 White et al. D9/538
2007/0039918 A1* 2/2007 Lane et al. 215/381
2011/0049085 A1* 3/2011 Lembke 215/382

* cited by examiner

Primary Examiner — Thomas Johannes

Assistant Examiner — Catherine Posthauer

(74) *Attorney, Agent, or Firm* — Mario A. Tabone; Plastipak Packaging, Inc.

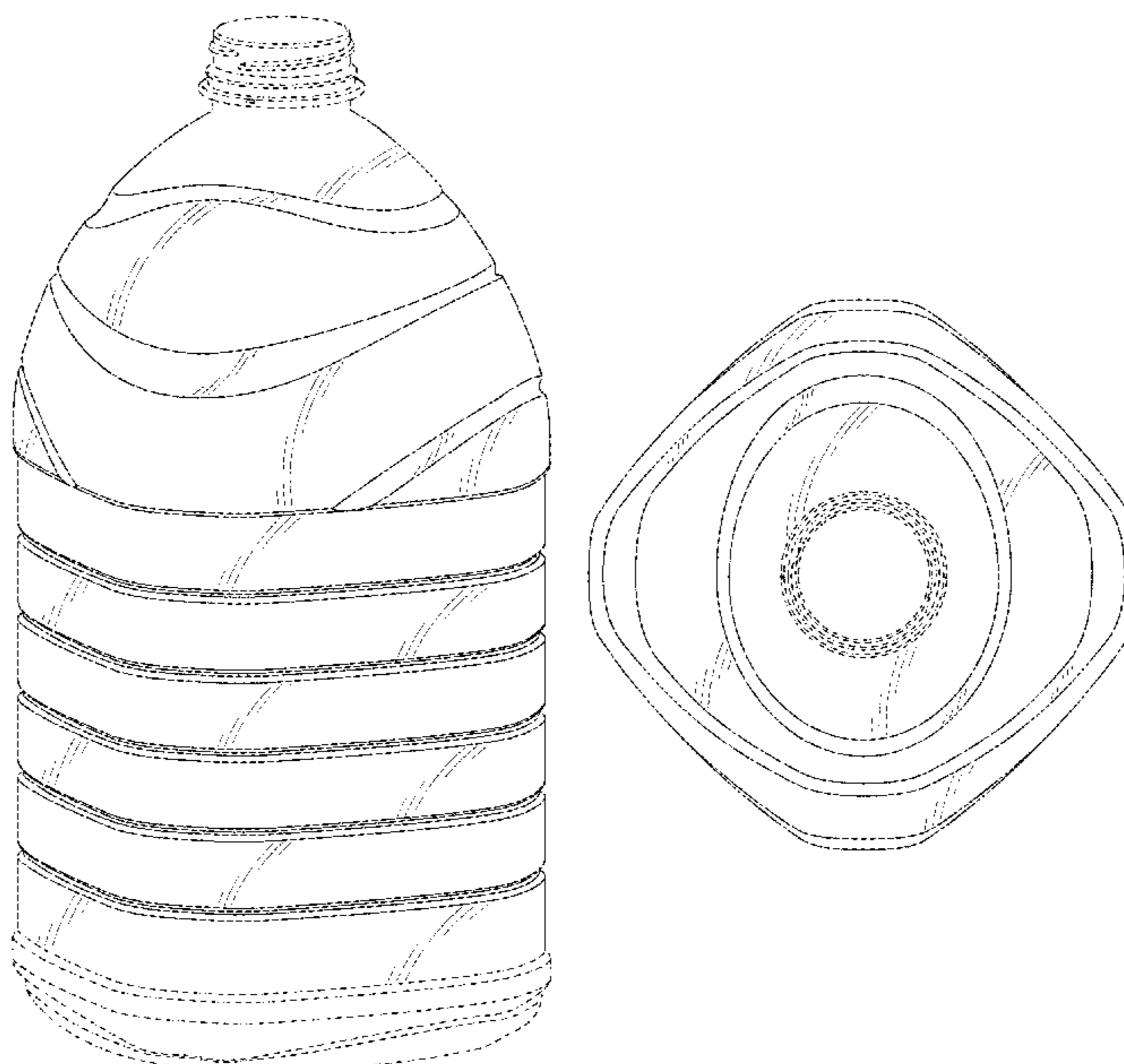
(57) **CLAIM**

The ornamental design for a container, as shown and described.

DESCRIPTION

FIG. 1 is a top, front, left perspective view of a container showing the claimed design;
FIG. 2 is a front elevational view of FIG. 1;
FIG. 3 is a rear elevational view of FIG. 1;
FIG. 4 is a left side elevational view of FIG. 1;
FIG. 5 is a right side elevational view of FIG. 1;
FIG. 6 is a top plan view of FIG. 1; and,
FIG. 7 is a bottom plan view of FIG. 1.
The broken lines are shown for the purpose of illustrating portions of the container that form no part of the claimed design.

1 Claim, 7 Drawing Sheets



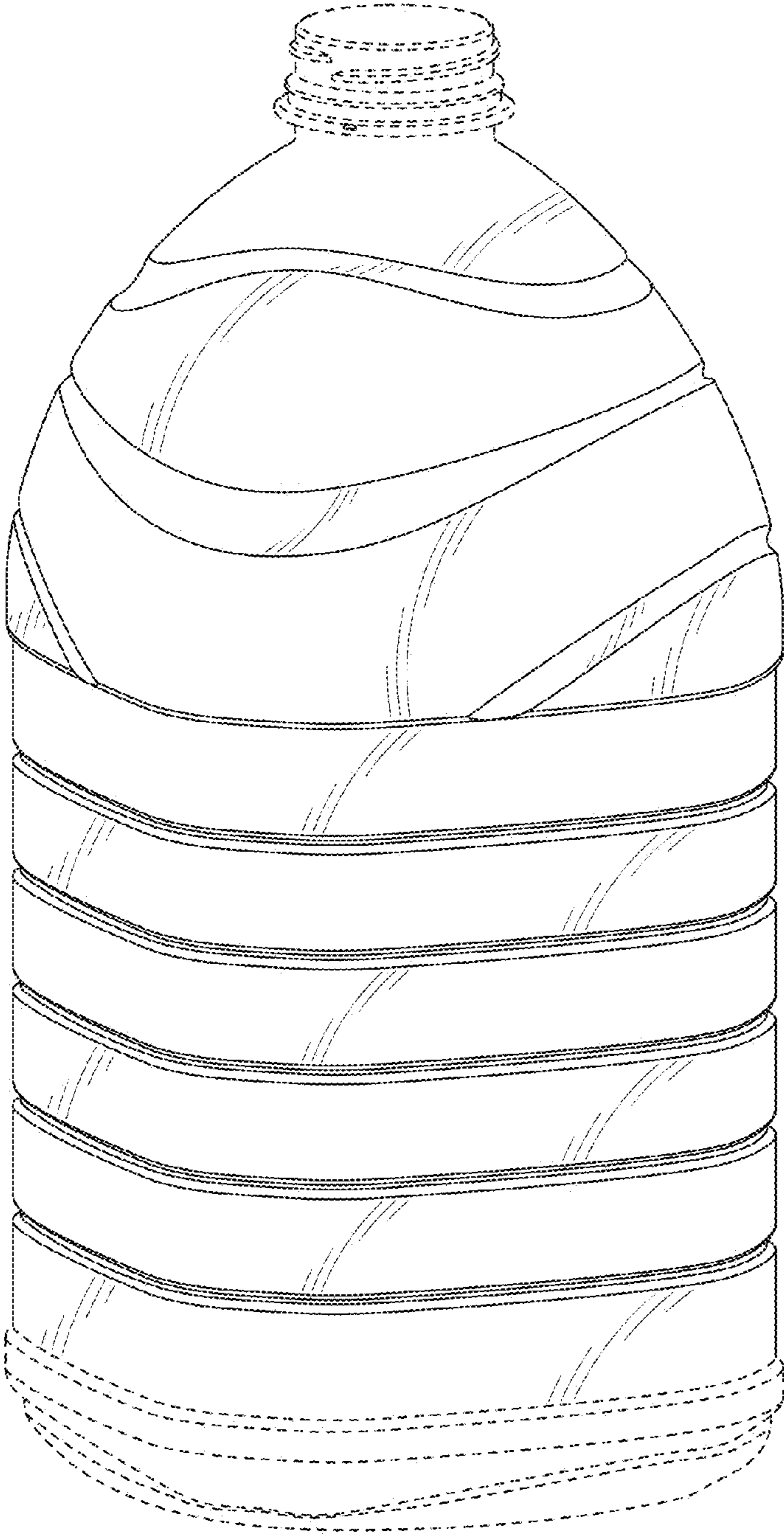


FIG. 1

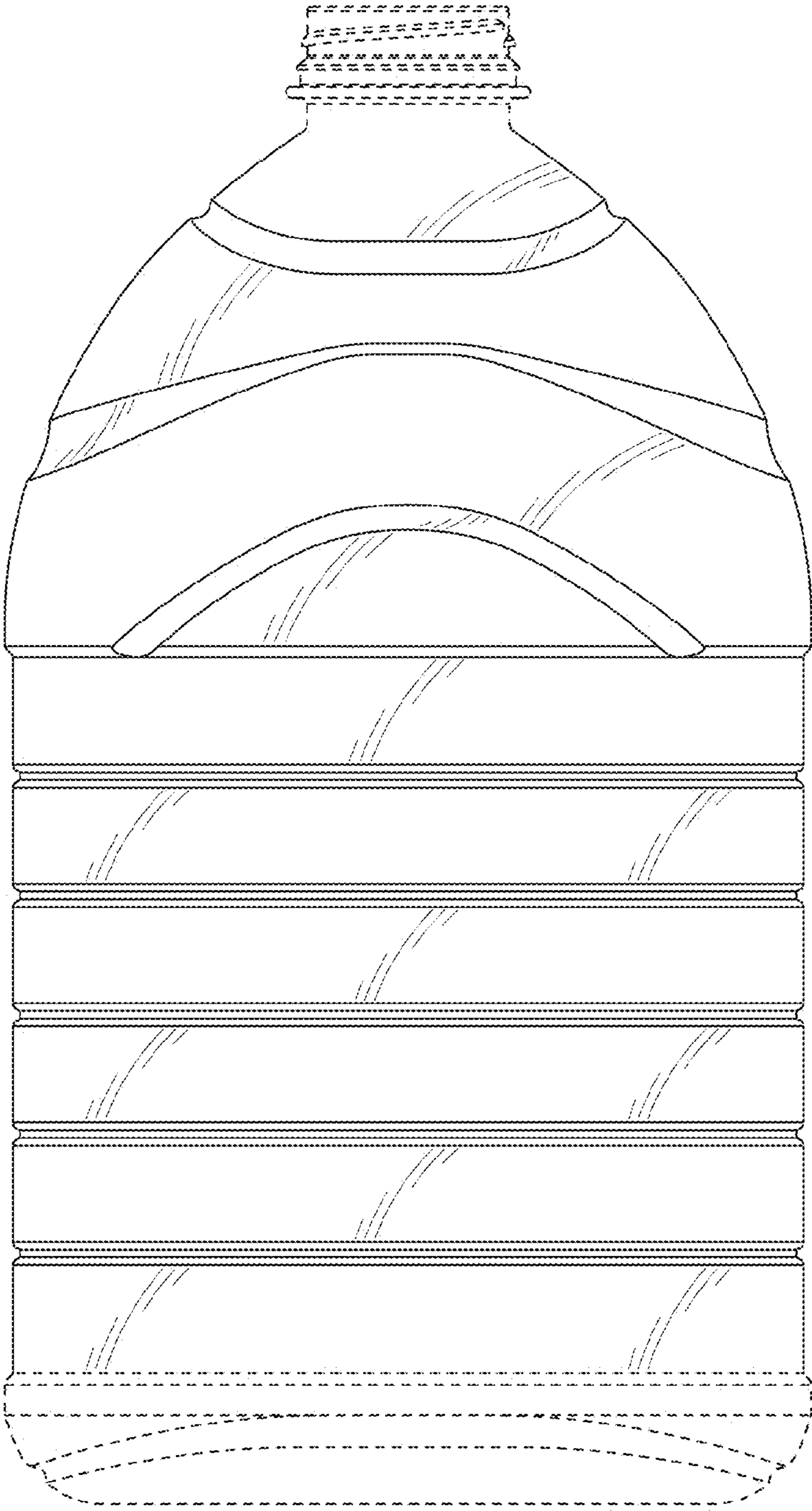


FIG. 2

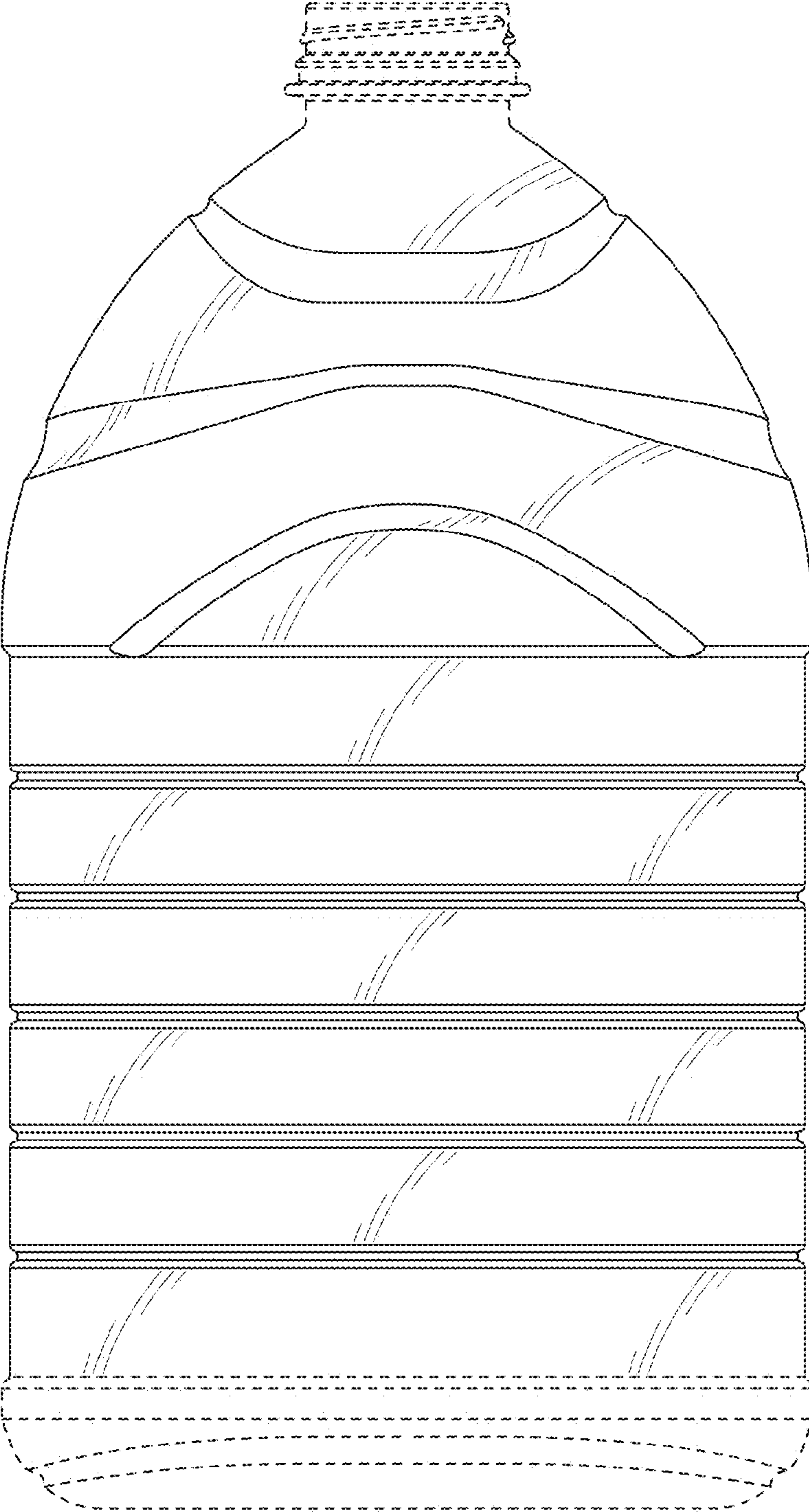


FIG. 3

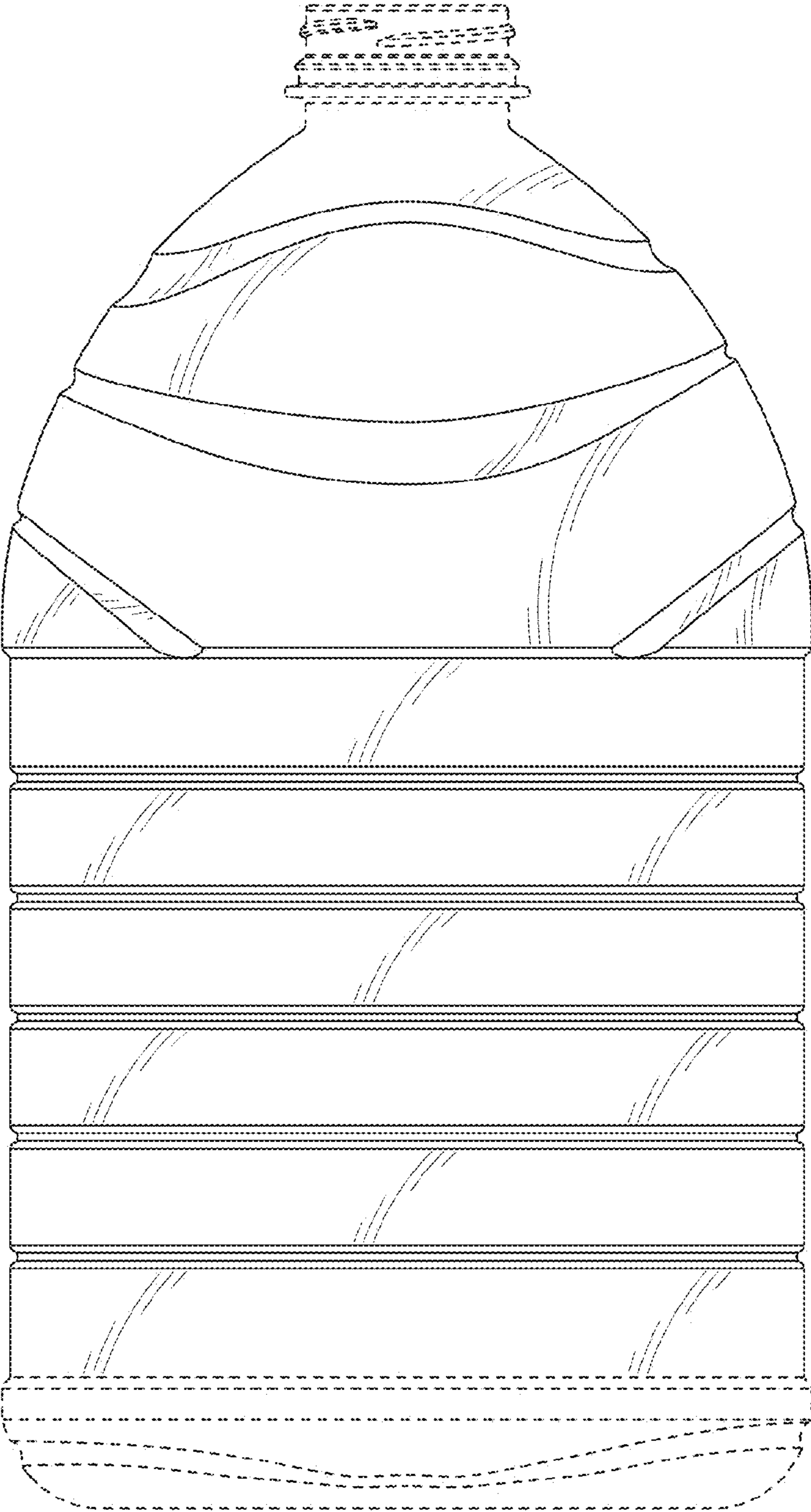


FIG. 4

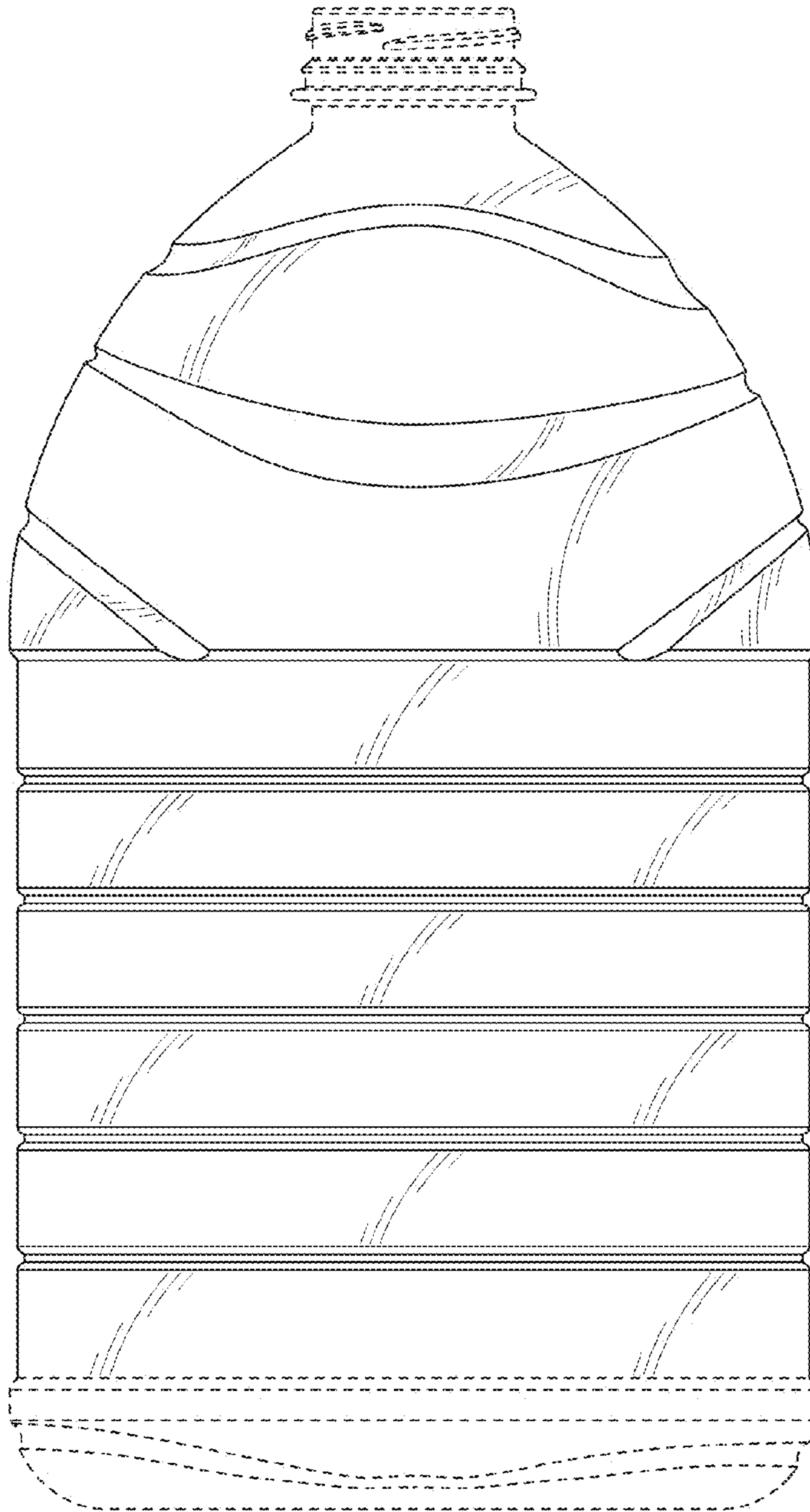


FIG. 5

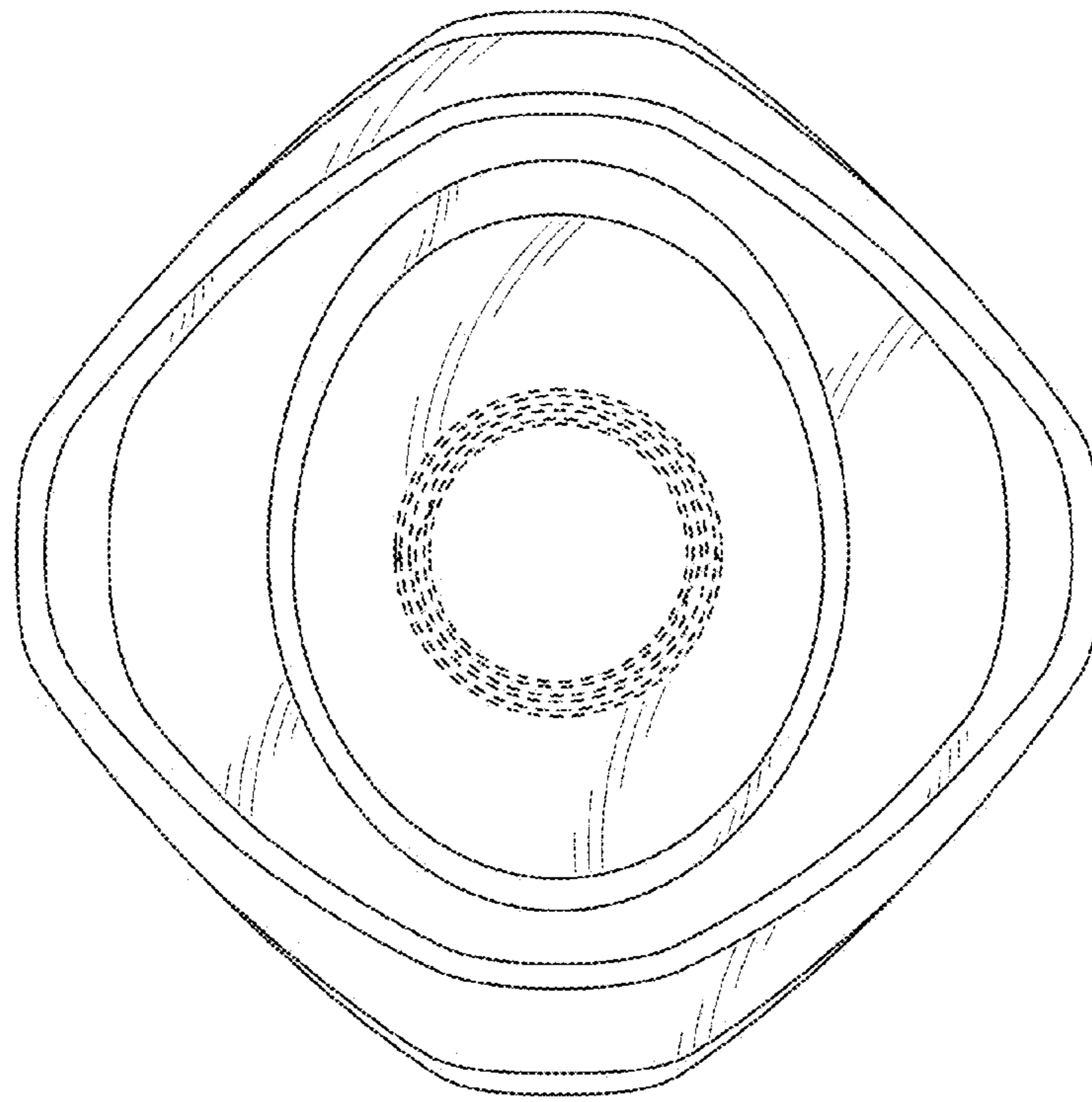


FIG. 6

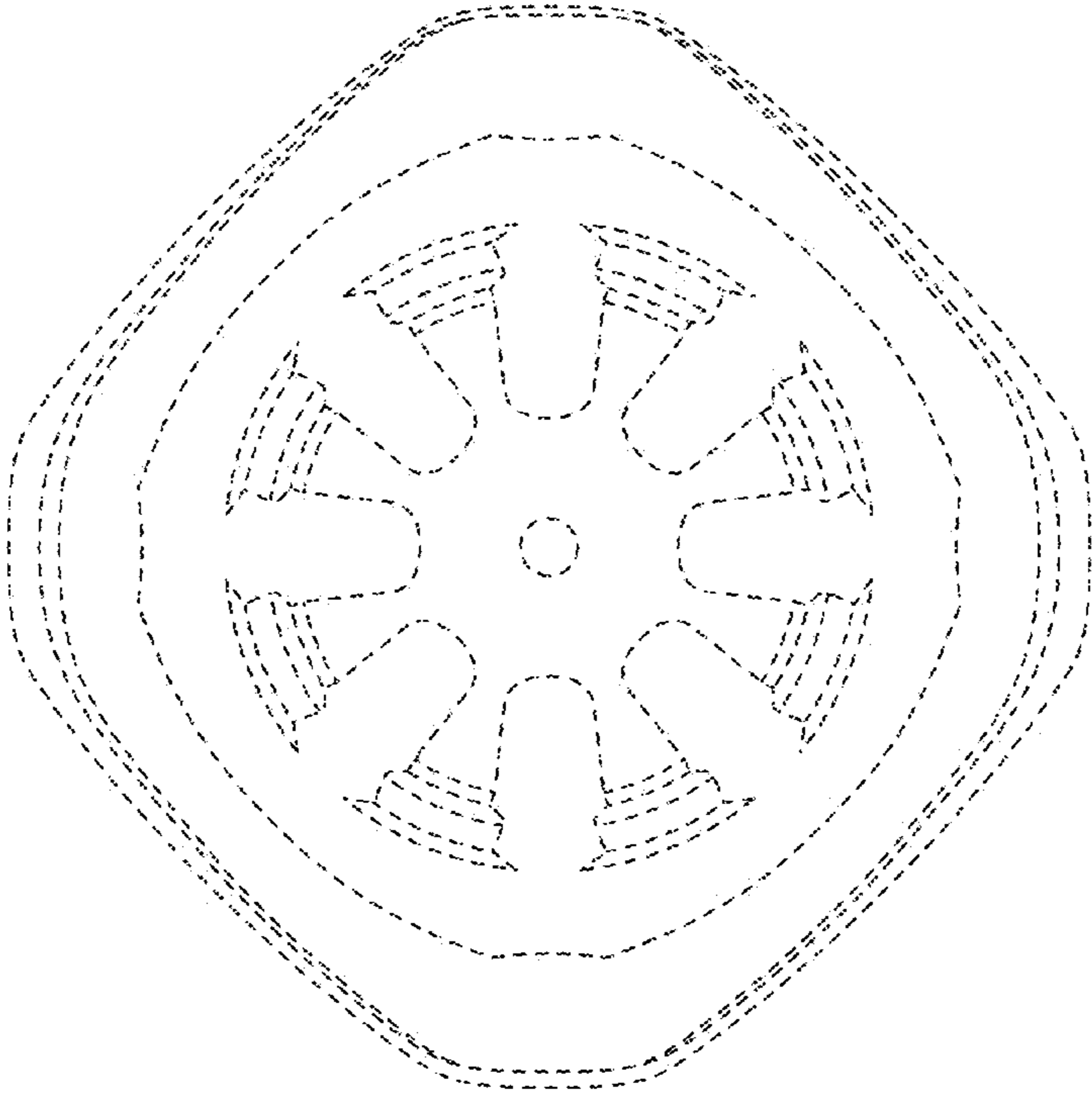


FIG. 7