



US00D753501S

(12) **United States Design Patent**  
**Komai et al.**

(10) **Patent No.:** **US D753,501 S**  
(45) **Date of Patent:** **\*\* Apr. 12, 2016**

(54) **PERFUME BOTTLE**

(56) **References Cited**

(71) Applicants: **Mao Komai**, Tokyo (JP); **Benoit Pierre Emery**, Paris (FR); **Damian O’Sullivan**, Rotterdam (NL)

(72) Inventors: **Mao Komai**, Tokyo (JP); **Benoit Pierre Emery**, Paris (FR); **Damian O’Sullivan**, Rotterdam (NL)

(73) Assignee: **SHISEIDO CO., LTD.**, Tokyo (JP)

(\*\*) Term: **14 Years**

(21) Appl. No.: **29/463,225**

(22) Filed: **Sep. 13, 2013**

(30) **Foreign Application Priority Data**

May 31, 2013 (JP) ..... 2013-012104

(51) **LOC (10) Cl.** ..... **09-01**

(52) **U.S. Cl.**

USPC ..... **D9/552**; D9/454; D9/545; D9/558

(58) **Field of Classification Search**

USPC ..... D9/434–435, 439, 444–445, 454, 500, D9/503, 505, 516, 544–546, 548, 549, 552, D9/558, 682, 686, 688–692, 715, 719; D7/300, 300.1, 316, 598; D28/91.1

CPC ..... B65D 1/00; B65D 1/02; B65D 1/0223; B65D 23/00; B65D 83/00; B65D 83/14; B65D 83/20; B65D 83/38; B65D 2501/00; B65D 2501/0009; B05B 11/0037

See application file for complete search history.

U.S. PATENT DOCUMENTS

D207,189 S *	3/1967	Thomson .....	D9/558
D209,244 S *	11/1967	Koenigsberg .....	D9/548
4,197,954 A *	4/1980	Oltman et al. ....	215/373
D397,518 S *	8/1998	Kudo .....	D28/91
D432,017 S *	10/2000	Alvarado .....	D9/529
D434,646 S *	12/2000	Gidlund et al. ....	D9/503
D448,247 S *	9/2001	Hong .....	D7/591
D491,691 S *	6/2004	Braaten et al. ....	D28/76
D524,161 S *	7/2006	Sauer et al. ....	D9/529
D531,041 S *	10/2006	Sauer et al. ....	D9/529
D541,158 S *	4/2007	Herrmann .....	D9/505
D573,035 S *	7/2008	Dean .....	D9/690
D595,577 S *	7/2009	Uneno .....	D9/504
D633,389 S *	3/2011	Jorgensen .....	D9/503
D685,646 S *	7/2013	DeMarco .....	D9/558
D686,506 S *	7/2013	Mendes et al. ....	D9/691
D707,127 S *	6/2014	DeMarco .....	D9/539
D709,761 S *	7/2014	Sanders .....	D9/445

\* cited by examiner

*Primary Examiner* — Dana L Meyrow

(74) *Attorney, Agent, or Firm* — Manabu Kanesaka

(57) **CLAIM**

The ornamental design for a perfume bottle, as shown and described.

**DESCRIPTION**

FIG. 1 is a perspective view of a perfume bottle showing our new design;

FIG. 2 is a front view thereof;

FIG. 3 is a rear view thereof;

FIG. 4 is a left side view thereof;

FIG. 5 is a right side view thereof;

FIG. 6 is a top view thereof; and,

FIG. 7 is a top view thereof.

The broken lines depict portions of the perfume bottle that form no part of claimed design.

**1 Claim, 6 Drawing Sheets**

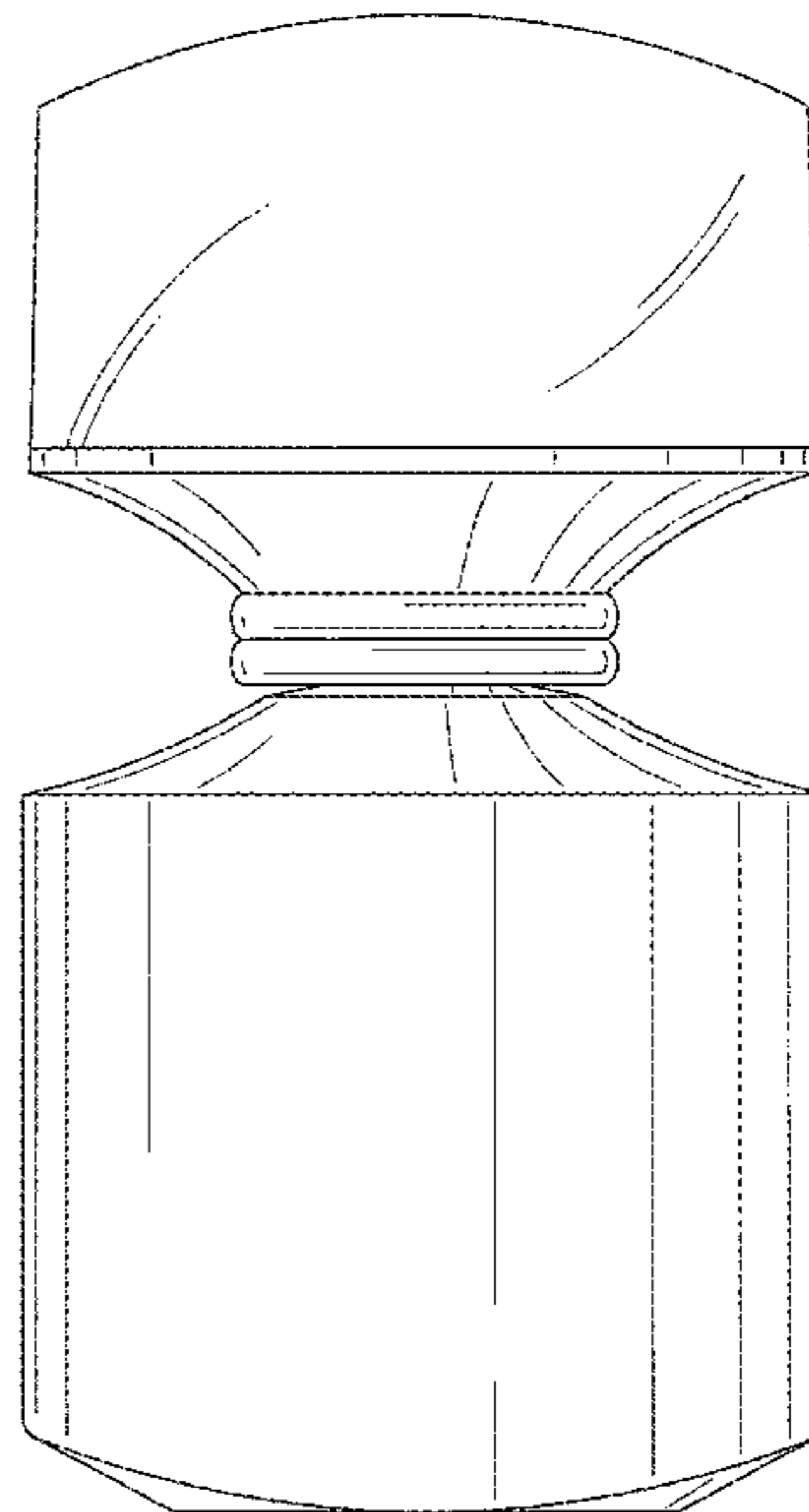
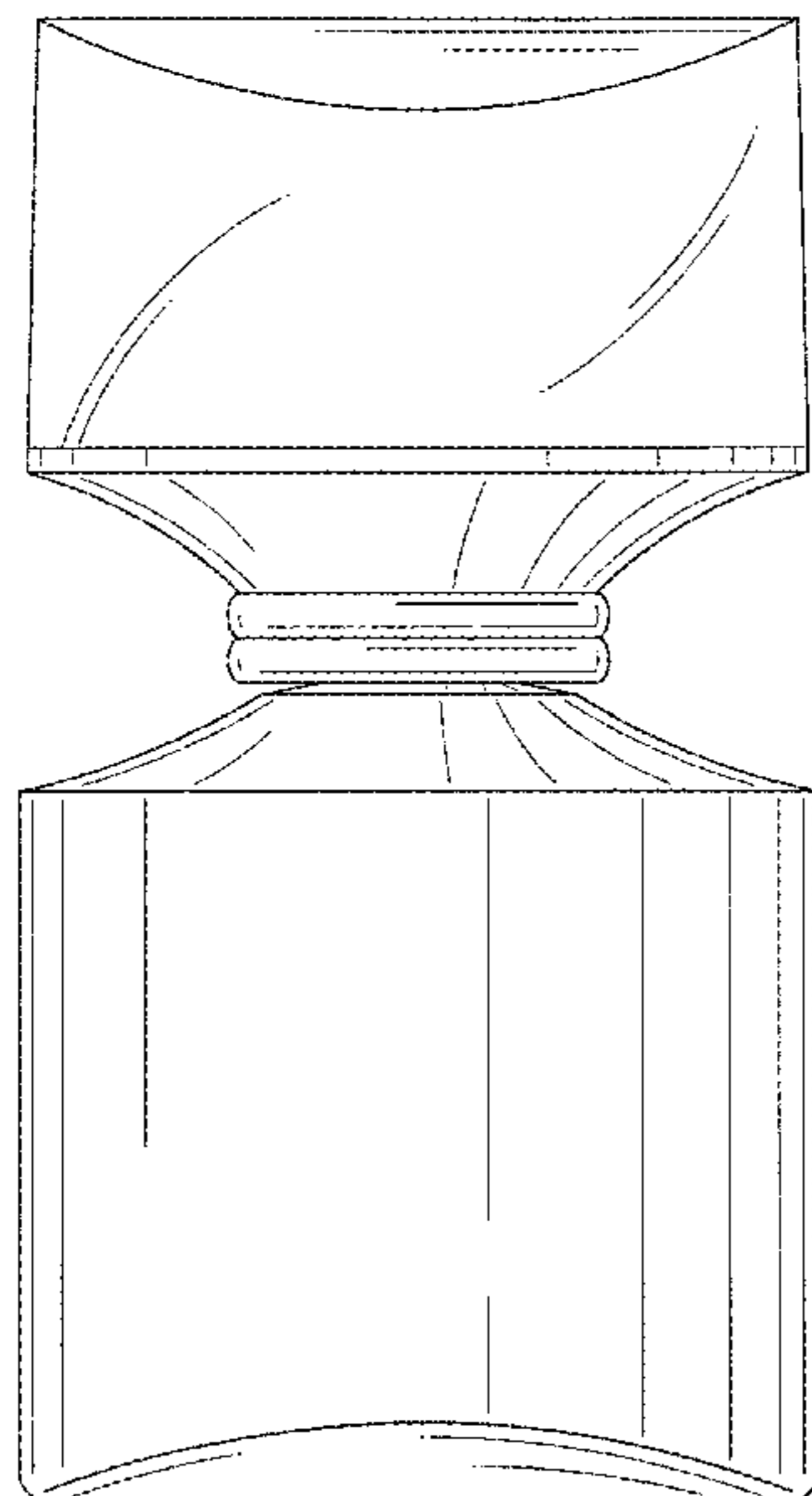


Fig. 1

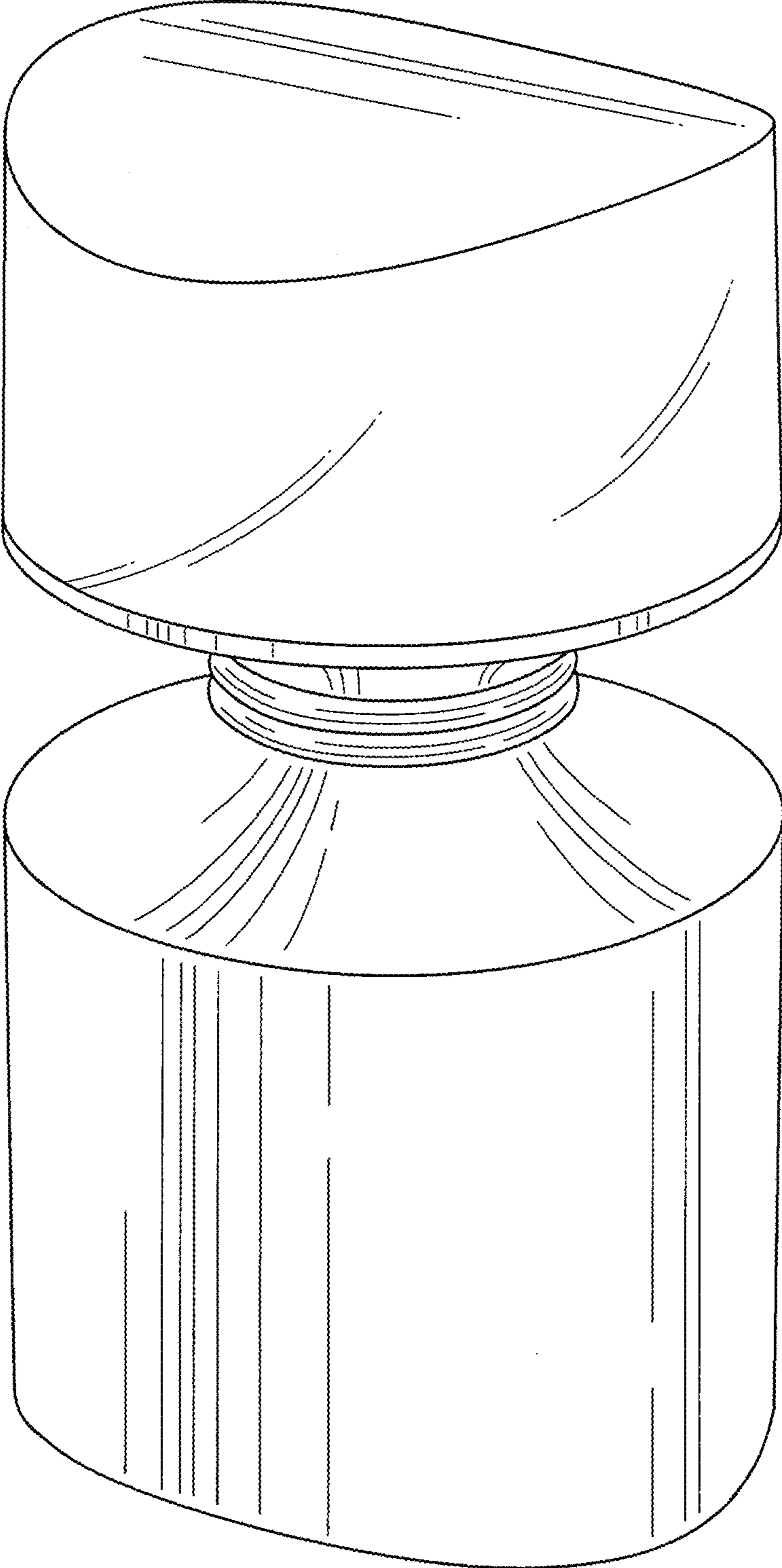


Fig. 2

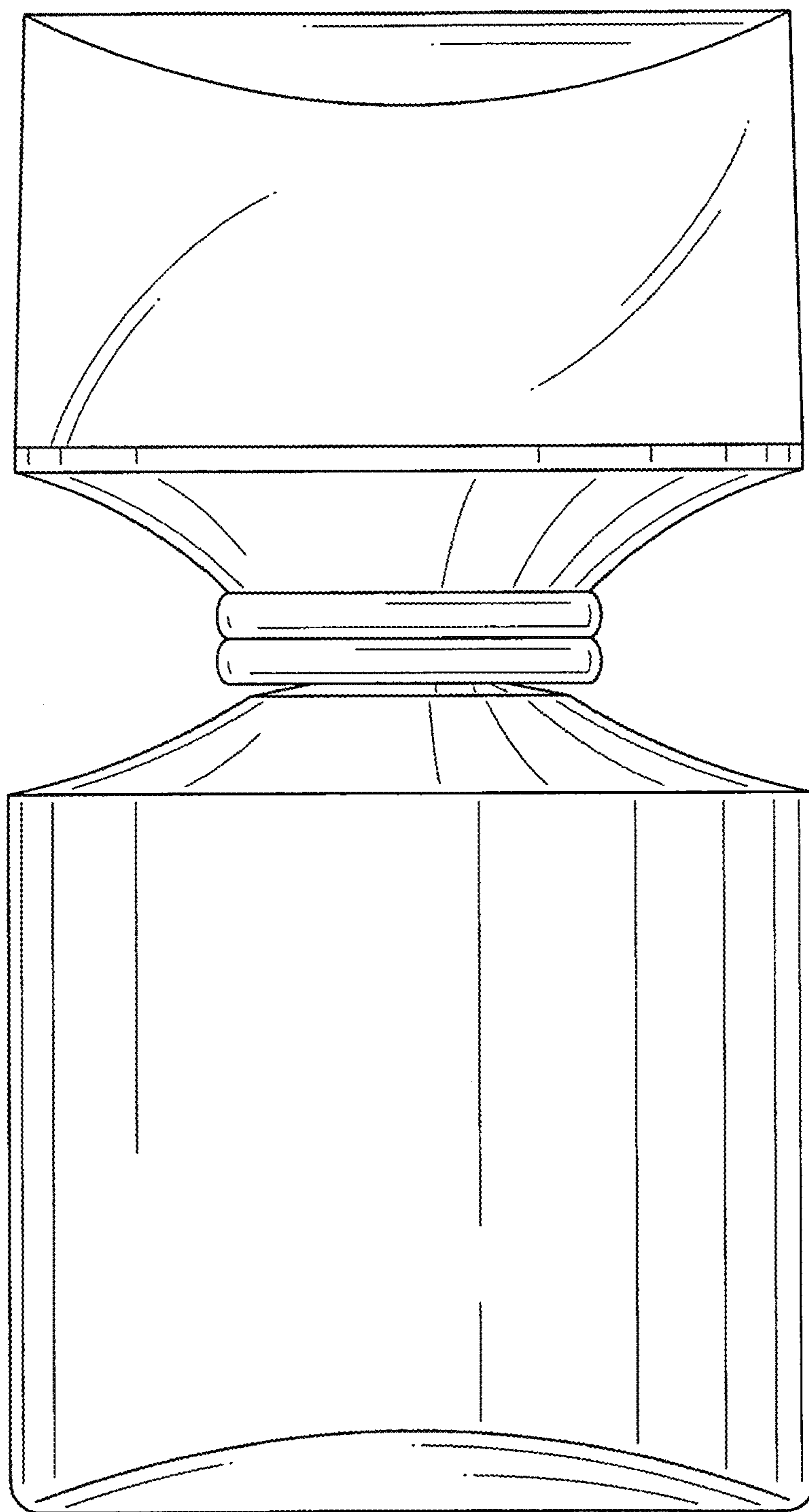


Fig. 3

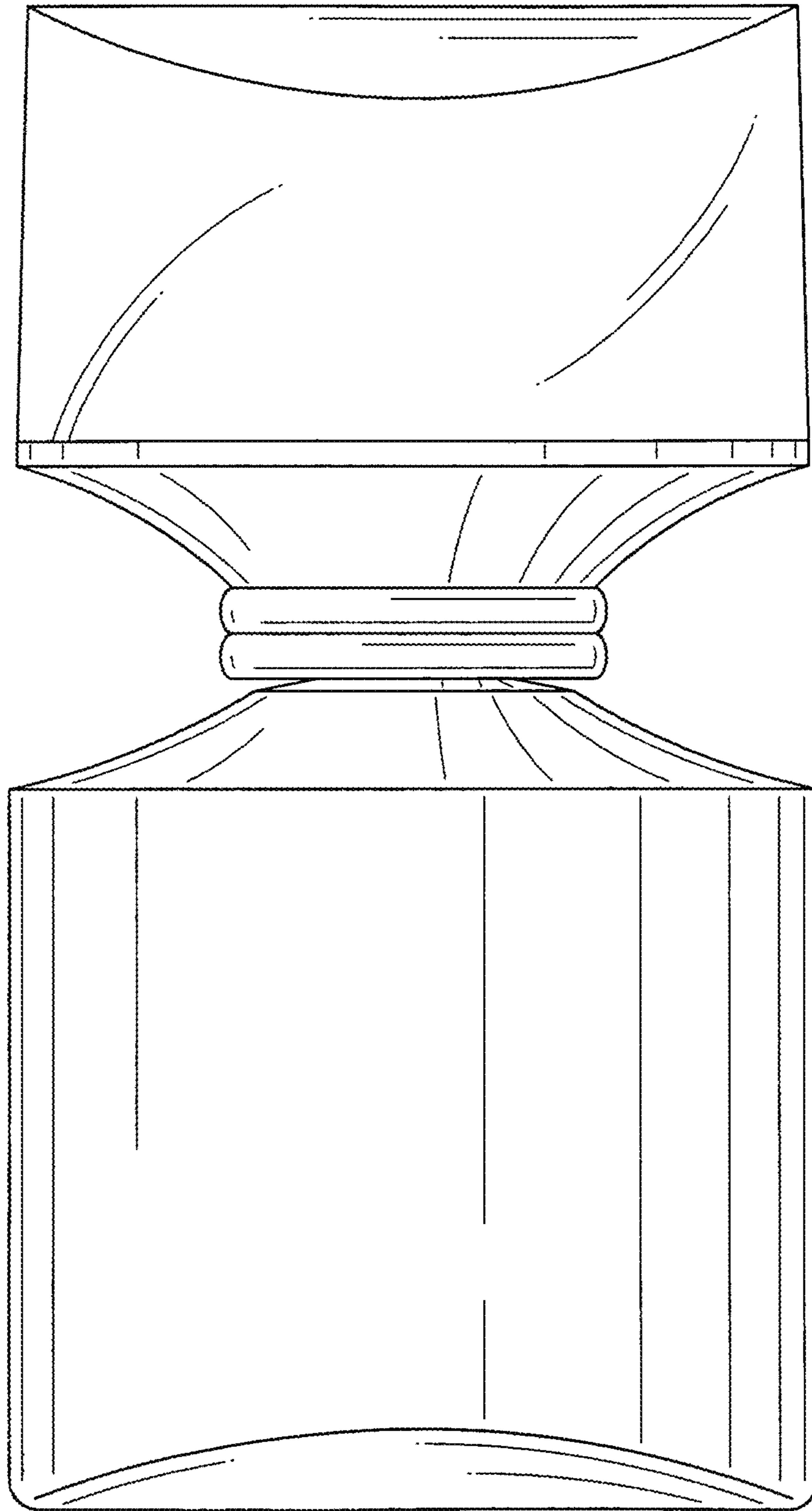


Fig. 4

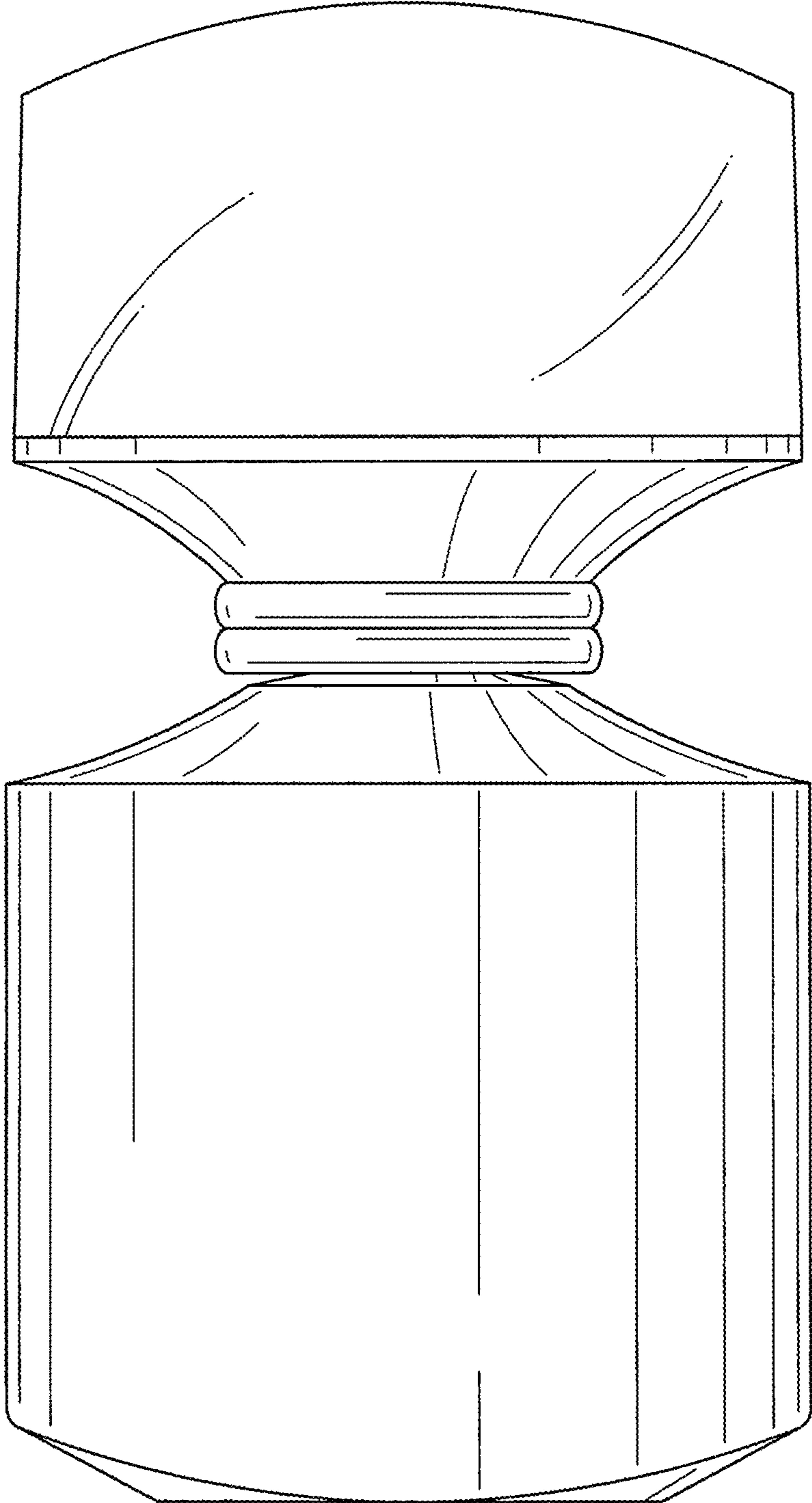


Fig. 5

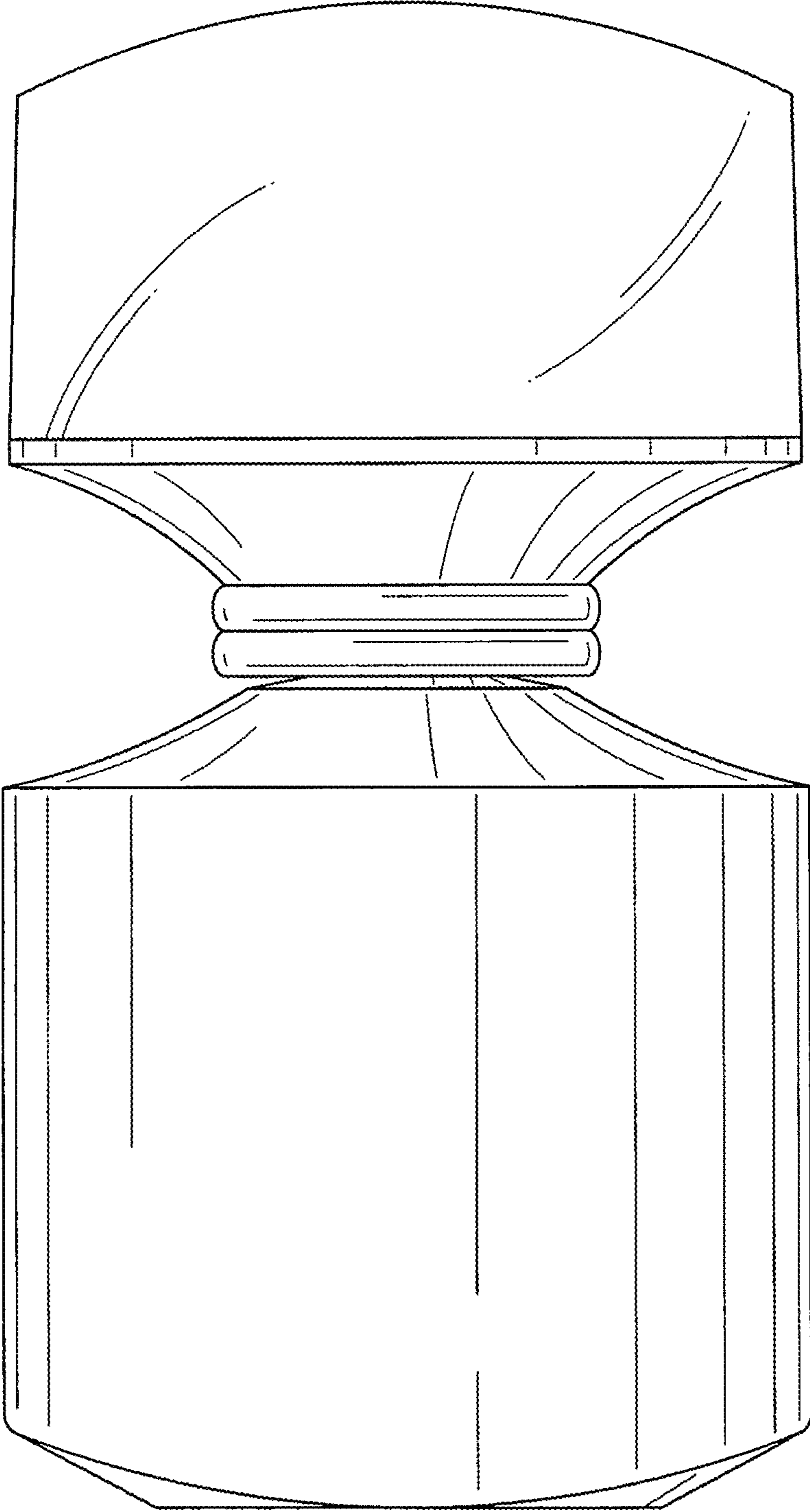


Fig. 6

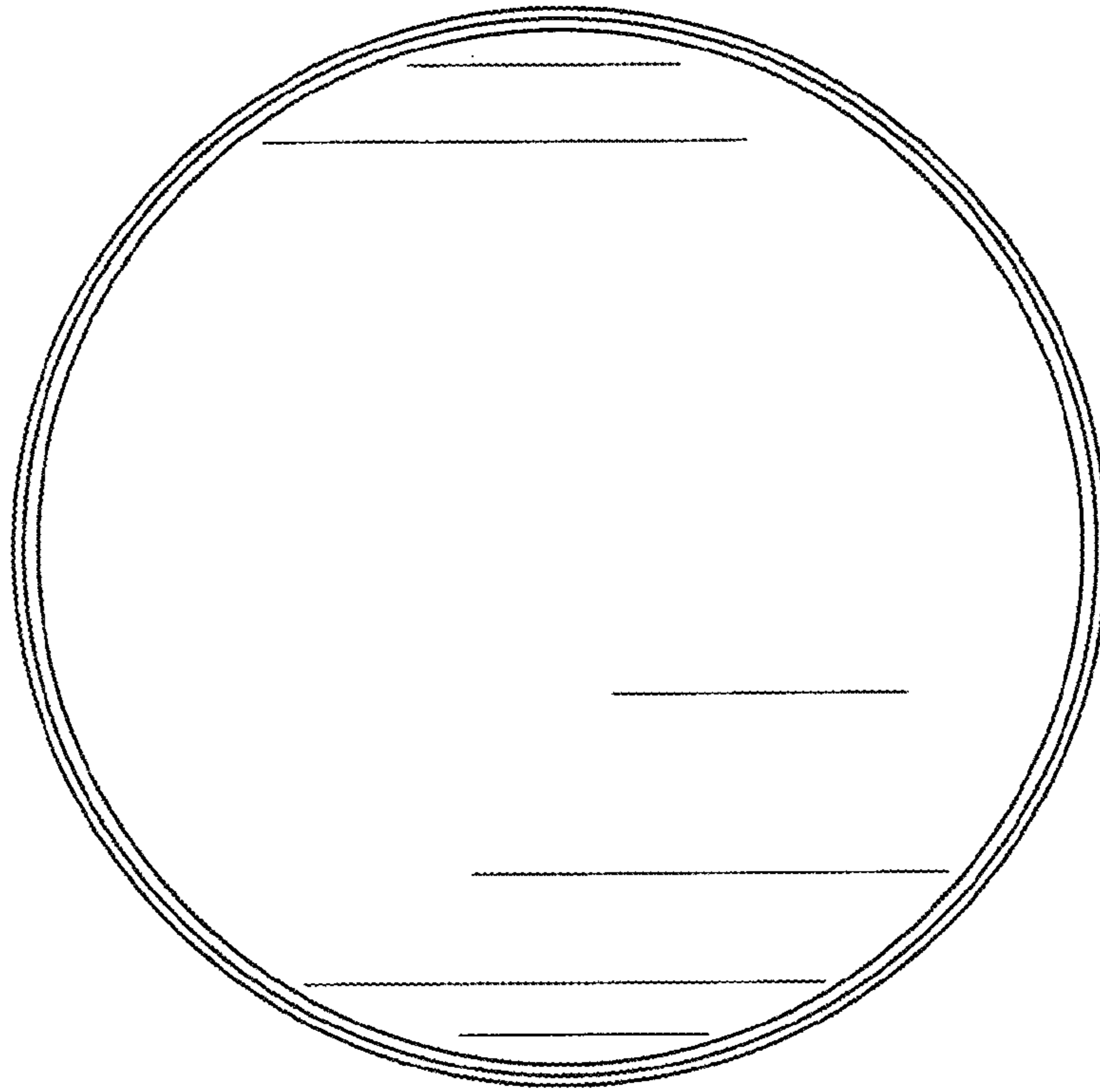


Fig. 7

