



US00D753500S

(12) **United States Design Patent**
Chertoff

(10) **Patent No.:** **US D753,500 S**
(45) **Date of Patent:** **** Apr. 12, 2016**

(54) **FRAGRANCE BOTTLE**
(71) Applicant: **ELC Management LLC**, Melville, NY
(US)

D580,769 S * 11/2008 Lloyd D9/435
D633,806 S * 3/2011 Lecoule D9/451
D678,073 S * 3/2013 Oge-Nichols D9/542
D680,872 S * 4/2013 Uribe D9/565
D684,865 S 6/2013 Petronio
D689,774 S 9/2013 Ford et al.
D691,890 S 10/2013 Ford et al.

(72) Inventor: **Jesse A. Chertoff**, Tenafly, NJ (US)
(73) Assignee: **ELC MANAGEMENT LLC**, Melville,
NY (US)

FOREIGN PATENT DOCUMENTS

(**) Term: **14 Years**

CN 302017712 8/2012
CN 302444473 5/2013
JP D1473600 7/2013
JP D1483536 11/2013

(21) Appl. No.: **29/490,925**

(Continued)

(22) Filed: **May 15, 2014**

OTHER PUBLICATIONS

(51) **LOC (10) Cl.** **09-01**

Narciso Rodriguez for Her EDT Delicate Perfume, announced Aug. 2012, [online], site visited Sep. 29, 2015. Available from Internet, <URL: <http://www.eaumg.net>>.*

(52) **U.S. Cl.**
USPC **D9/546**

(58) **Field of Classification Search**
USPC D7/300, 300.1, 598; D9/434-435, 439,
D9/516, 544, 546, 559, 560, 572-574, 682,
D9/686, 694; D28/91.1; 215/381-385;
220/660, 662, 665, 669-673
CPC B65D 1/00; B65D 1/02; B65D 1/0223;
B65D 23/00; B65D 83/00; B65D 83/14;
B65D 83/20; B65D 83/38; B65D 2501/00;
B65D 2501/0009; B65D 2501/0081; B05B
11/0037

Primary Examiner — Derrick Holland
Assistant Examiner — Janice Lim
(74) *Attorney, Agent, or Firm* — Cynthia R. Miller

See application file for complete search history.

(57) **CLAIM**
The ornamental design for a fragrance bottle, as shown and described.

(56) **References Cited**

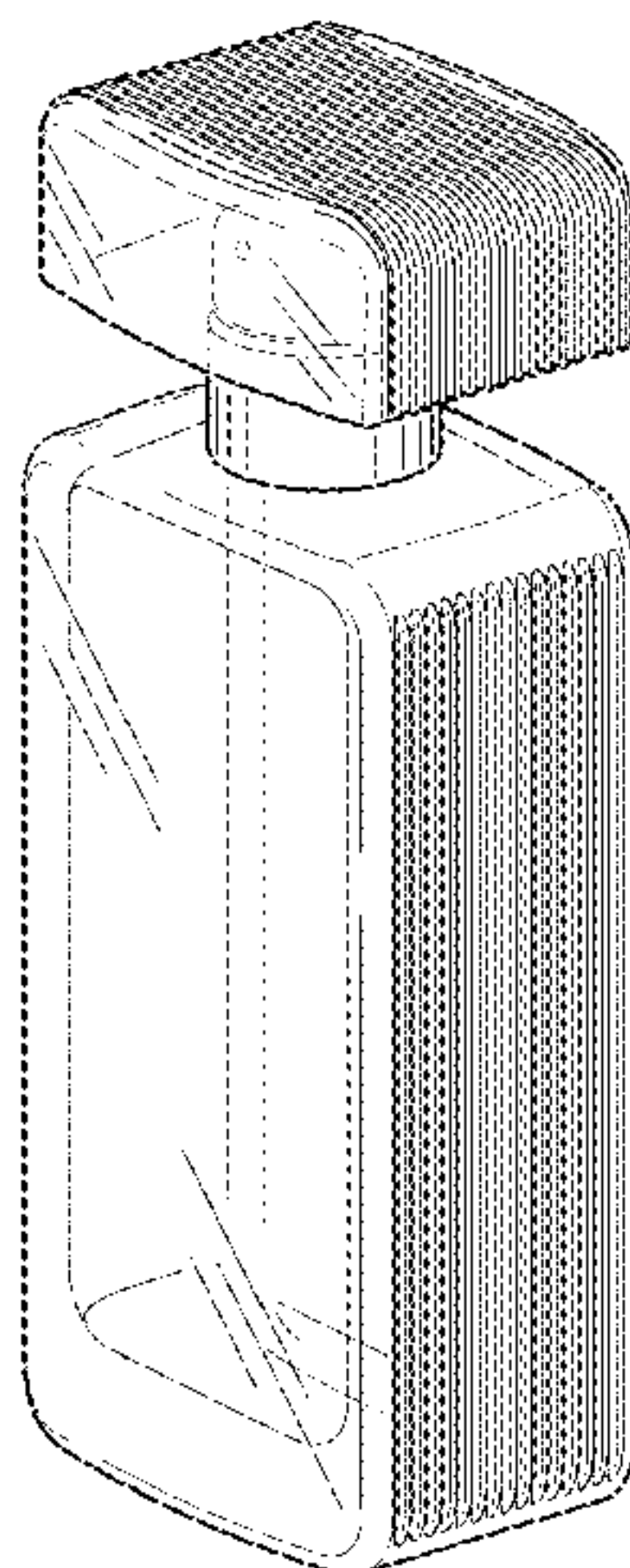
DESCRIPTION

U.S. PATENT DOCUMENTS

D90,558 S * 8/1933 Tricard D9/546
D121,286 S 7/1940 Robert
D143,657 S * 1/1946 Graham D9/544
D203,360 S * 12/1965 Becker D9/529
D235,735 S 7/1975 Dinand
D308,023 S 5/1990 Dinand
D310,330 S 9/1990 Cassini
D519,844 S 5/2006 Mansau
D531,911 S * 11/2006 Lloyd D9/546
D542,144 S 5/2007 Herrmann
D577,600 S 9/2008 Kim et al.

FIG. 1 is a top, front and right side perspective view of a fragrance bottle, showing my new design;
FIG. 2 is a front elevation view thereof, and the rear elevation view being a mirror image thereof;
FIG. 3 is a right side elevation view thereof, and the left side elevation view being a mirror image thereof;
FIG. 4 is a top plan view thereof; and,
FIG. 5 is a bottom plan view thereof.
The broken line showing of an aperture in FIGS. 1 and 2, and the broken line portions of FIG. 5 are included to show unclaimed subject matter only and form no part of the claimed design.

1 Claim, 2 Drawing Sheets



(56)

References Cited

FOREIGN PATENT DOCUMENTS

RU	00059491	7/2006
RU	00059823	8/2006
WO	D49570-001	12/1999

RU 00056265 2/2005

* cited by examiner

FIG. 1

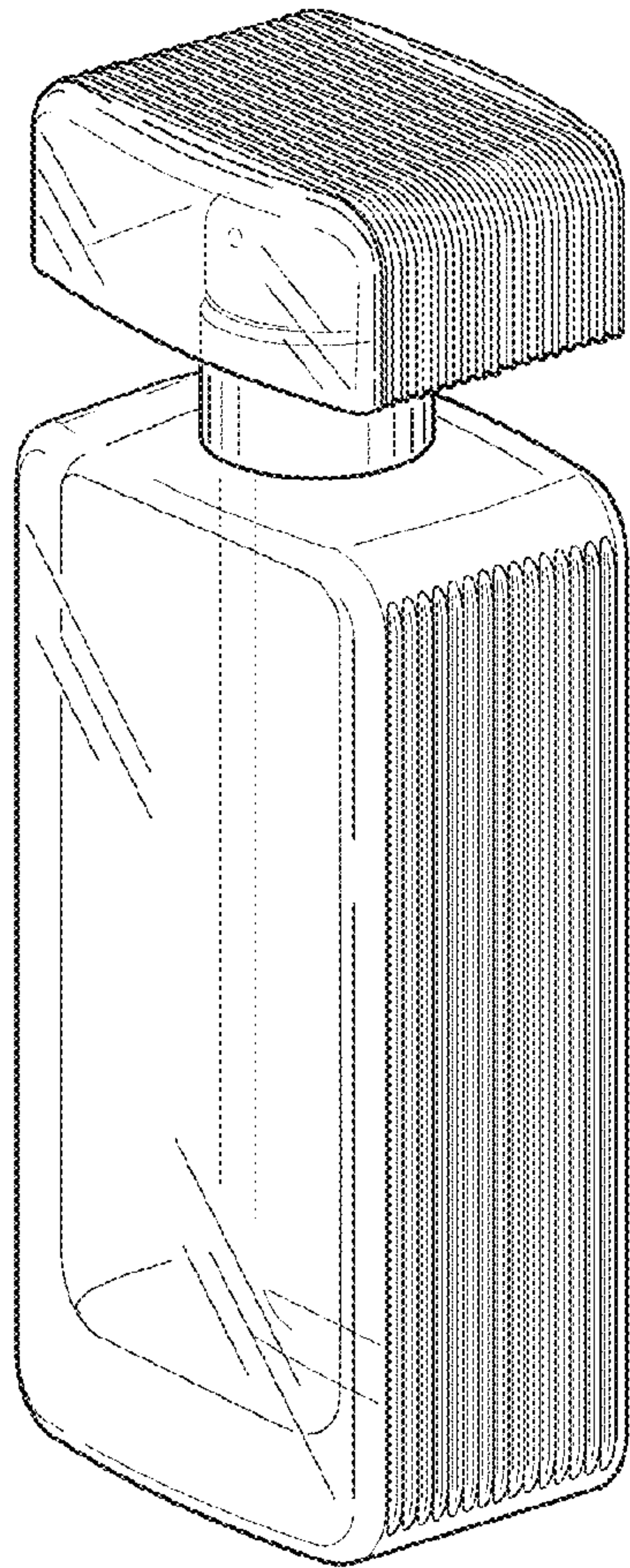


FIG. 2

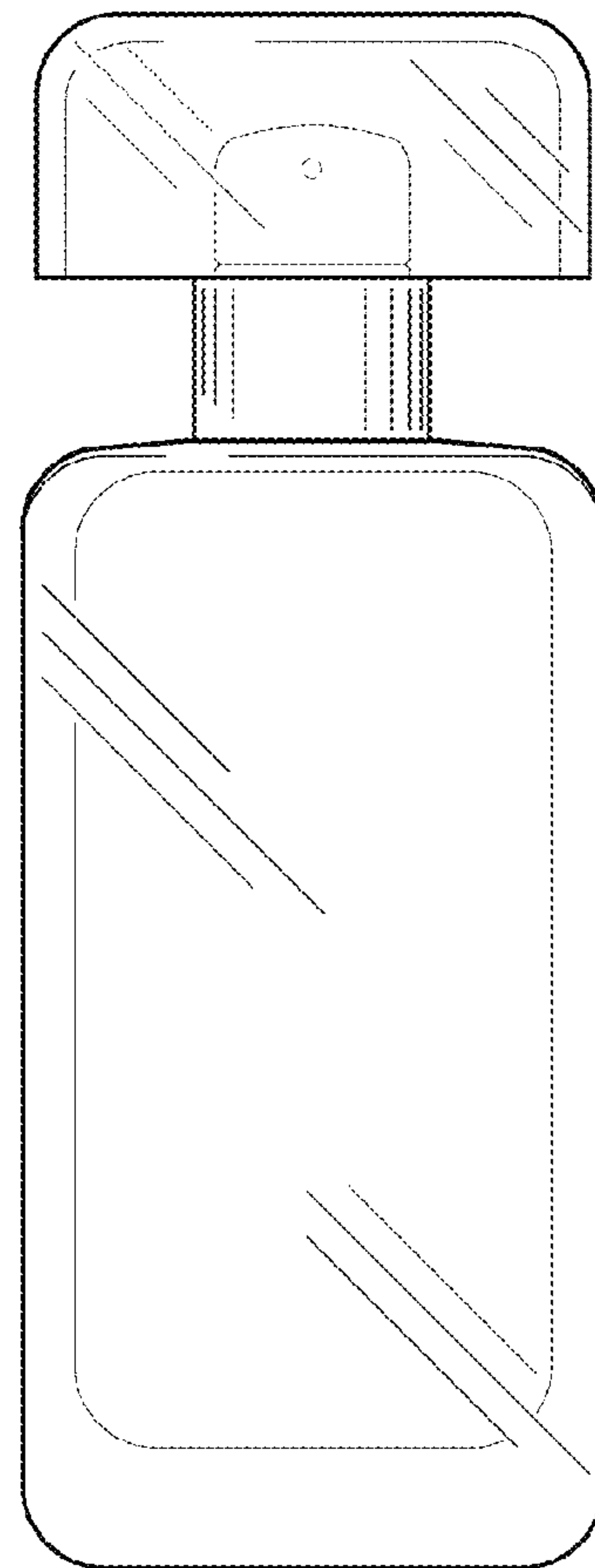


FIG. 3

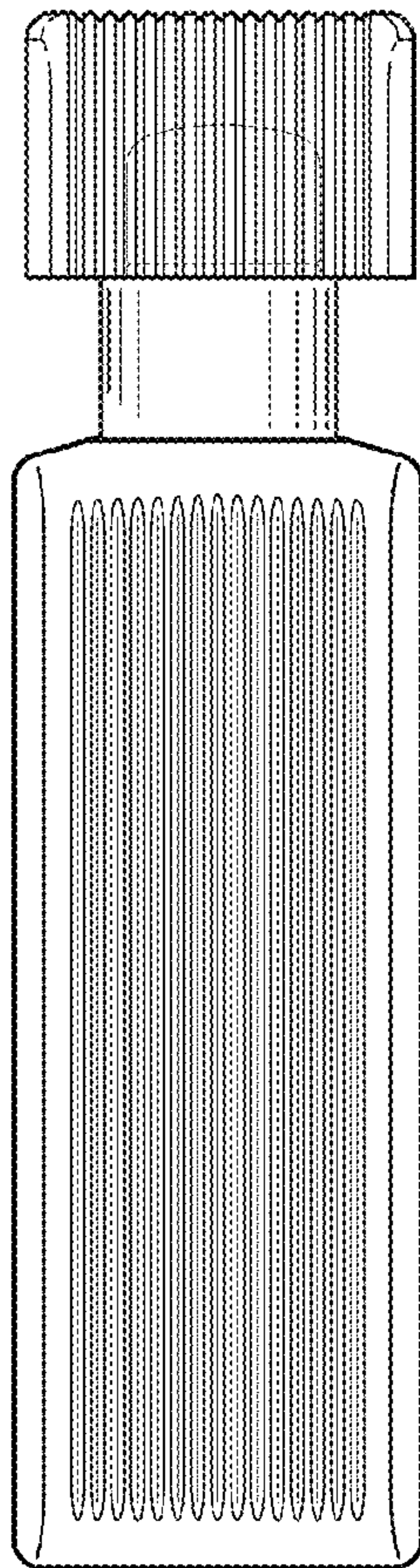


FIG. 4

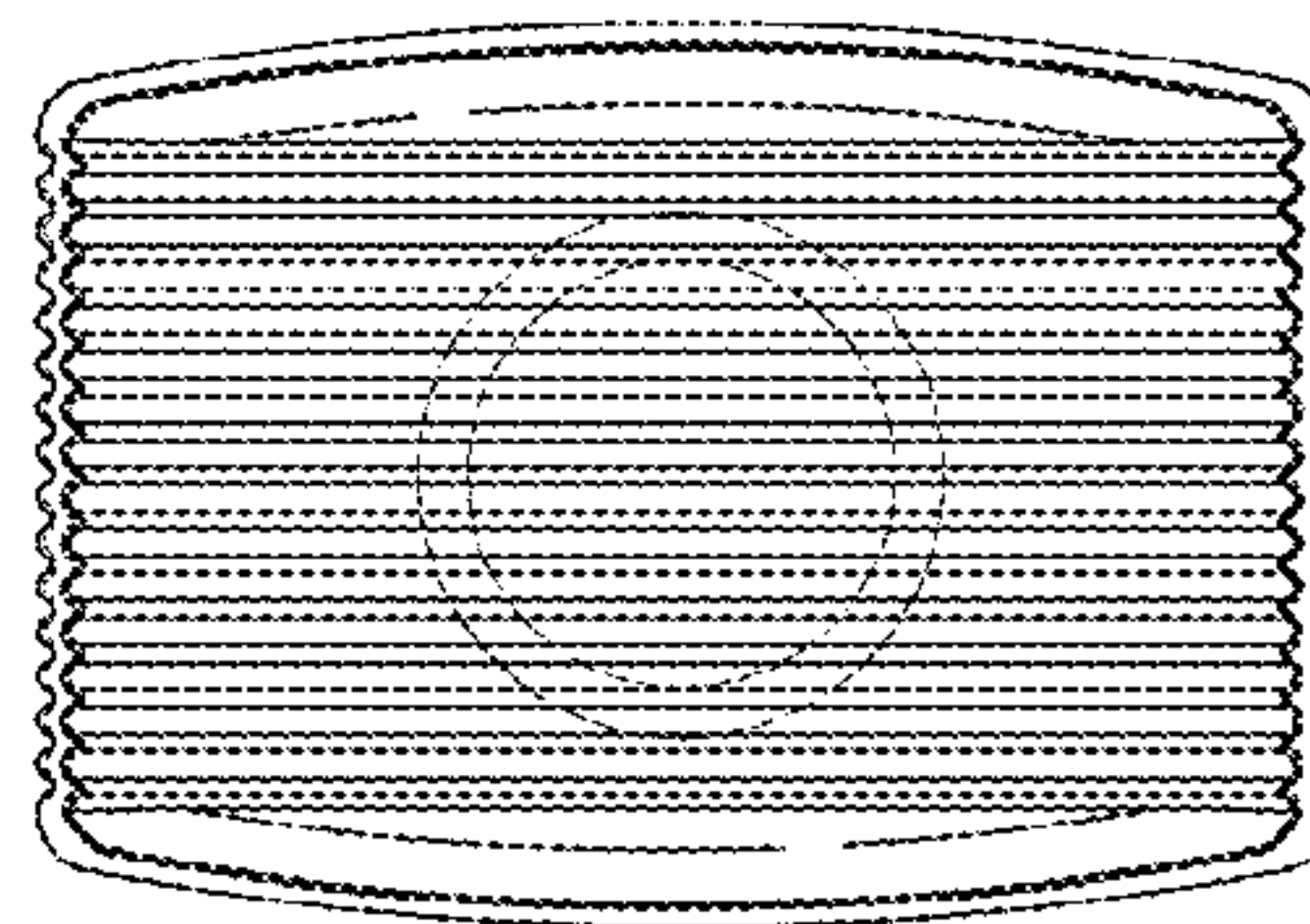


FIG. 5

