



US00D753492S

(12) **United States Design Patent**  
**Sawicki et al.**

(10) **Patent No.:** **US D753,492 S**  
(45) **Date of Patent:** **\*\* Apr. 12, 2016**

(54) **APPLICATOR**

(71) Applicant: **TricorBraun Inc.**, St. Louis, MO (US)

(72) Inventors: **Craig R. Sawicki**, Roselle, IL (US);  
**Marco Serrano**, Cicero, IL (US)

(73) Assignee: **TricorBraun Inc.**, St. Louis, MO (US)

(\*\*) Term: **14 Years**

(21) Appl. No.: **29/461,202**

(22) Filed: **Jul. 19, 2013**

(51) **LOC (10) Cl.** ..... **09-01**

(52) **U.S. Cl.**

USPC ..... **D9/516**; D9/434; D9/435; D9/447

(58) **Field of Classification Search**

USPC ..... D9/434-436, 447, 454, 503-505, 516,  
D9/530, 537, 539, 542, 549, 558, 715, 719,  
D9/723, 725, 728; D7/669-670; D19/66,  
D19/71, 162; D24/107, 119-120; D28/7

CPC ..... B65D 23/00; B65D 81/00; B65D 83/00;  
B65D 83/06; B65D 2501/00; B65D 2547/04;  
A61M 35/00; A61M 35/003; A45D 33/00;  
A45D 33/02; A45D 34/00; A45D 34/04;  
A45D 34/041; A45D 34/042

See application file for complete search history.

(56) **References Cited**

**U.S. PATENT DOCUMENTS**

2,585,264	A *	2/1952	Mock	604/301
3,192,923	A *	7/1965	Ackerman	601/154
3,565,294	A *	2/1971	Schwartzman	222/107
D271,215	S *	11/1983	Hinkle	D19/66
D306,563	S *	3/1990	Johnson	D9/434
D309,108	S *	7/1990	Tomasello	D9/434
D404,300	S *	1/1999	Skobla	D9/614
D481,164	S *	10/2003	Angeletta	D28/7
D481,165	S *	10/2003	Angeletta	D28/7
D513,384	S *	1/2006	Perry	D9/447

D523,335	S *	6/2006	Nelson et al.	D9/447
D531,052	S *	10/2006	Lee	D9/723
D536,481	S *	2/2007	Angeletta	D28/7
D537,722	S *	3/2007	Jaichandra et al.	D9/517
D543,658	S *	5/2007	Angeletta	D28/7
D550,842	S *	9/2007	Koch et al.	D24/146
D566,330	S *	4/2008	Angeletta	D28/7
D571,166	S *	6/2008	Ben Shlomo et al.	D7/670
D587,584	S *	3/2009	Jaichandra et al.	D9/517
D588,691	S *	3/2009	Perrin et al.	D24/120
D595,410	S *	6/2009	Luzon	D24/146
D671,412	S *	11/2012	Thurin et al.	D9/526
D693,919	S *	11/2013	Miu	D24/107
D698,078	S *	1/2014	Purizhansky et al.	D28/7
D717,664	S *	11/2014	Van Handel et al.	D9/682
2008/0170904	A1 *	7/2008	Bayly et al.	401/265

\* cited by examiner

*Primary Examiner* — Dana L Meyrow

(74) *Attorney, Agent, or Firm* — Husch Blackwell LLP

(57) **CLAIM**

We claim the ornamental design for an applicator, as shown and described.

**DESCRIPTION**

FIG. 1 is a top perspective view of an applicator showing the new design;

FIG. 2 is a bottom perspective view thereof;

FIG. 3 is a front elevation view thereof;

FIG. 4 is a left side elevation view thereof, the right side elevation being a substantial mirror image thereof;

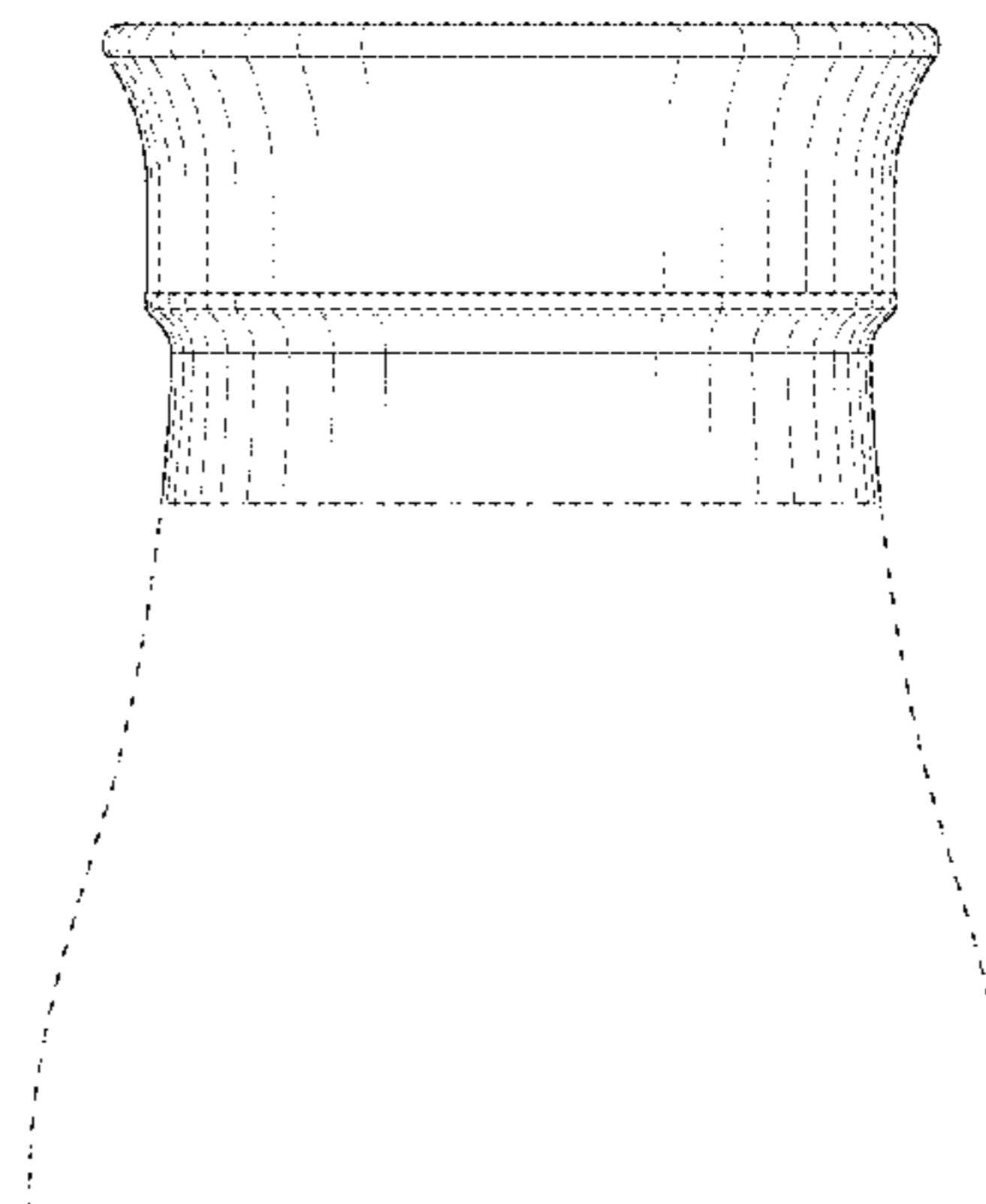
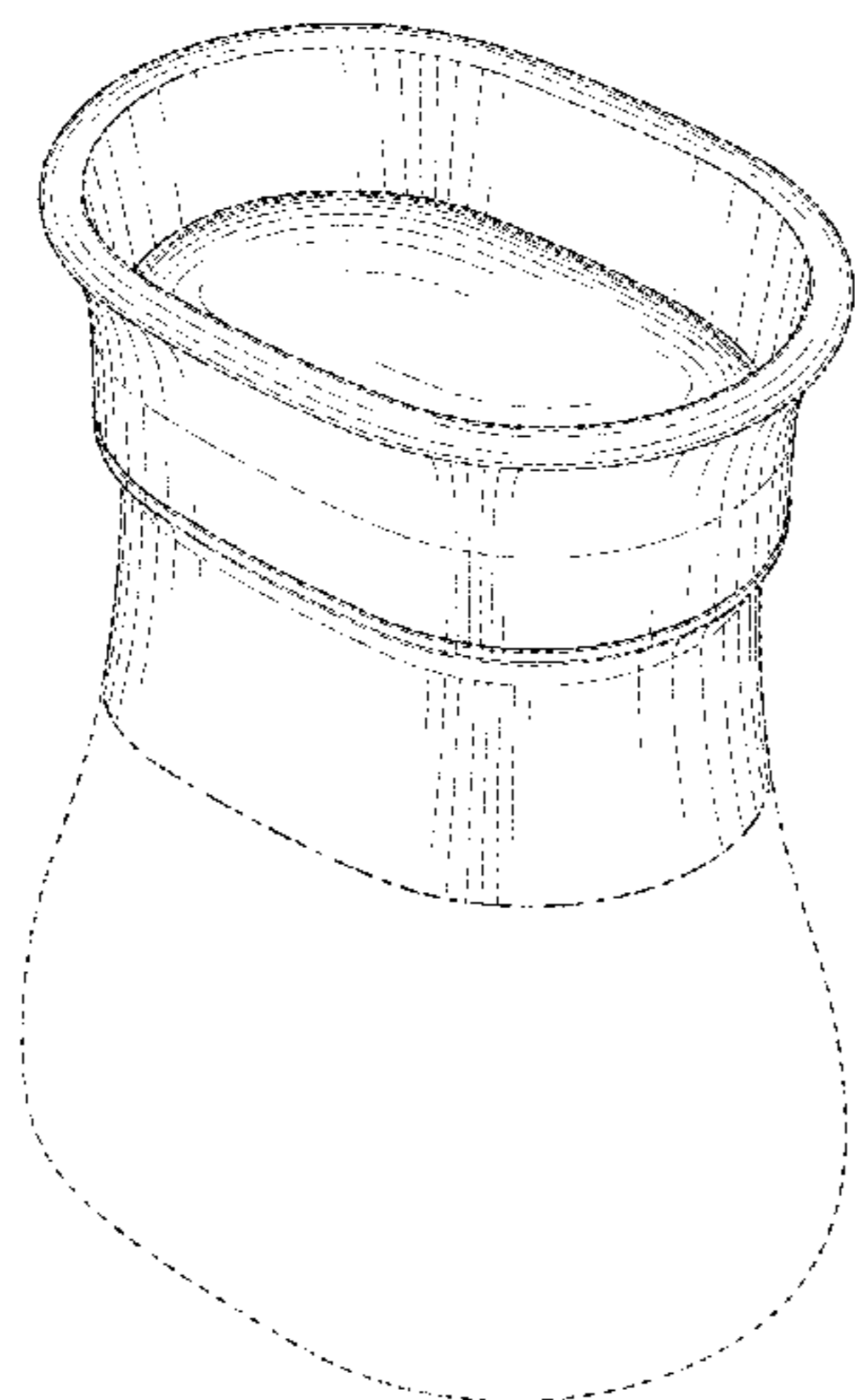
FIG. 5 is a top view thereof;

FIG. 6 is a bottom view thereof; and,

FIG. 7 is a section view taken along the lines 7-7 in the FIG. 4 drawing view.

The evenly-dashed broken lines shown in the drawing views illustrate the portions of the design that form no part of the claim. The dot-dash broken lines in the drawings define the bounds of the claim and form no part thereof.

**1 Claim, 6 Drawing Sheets**



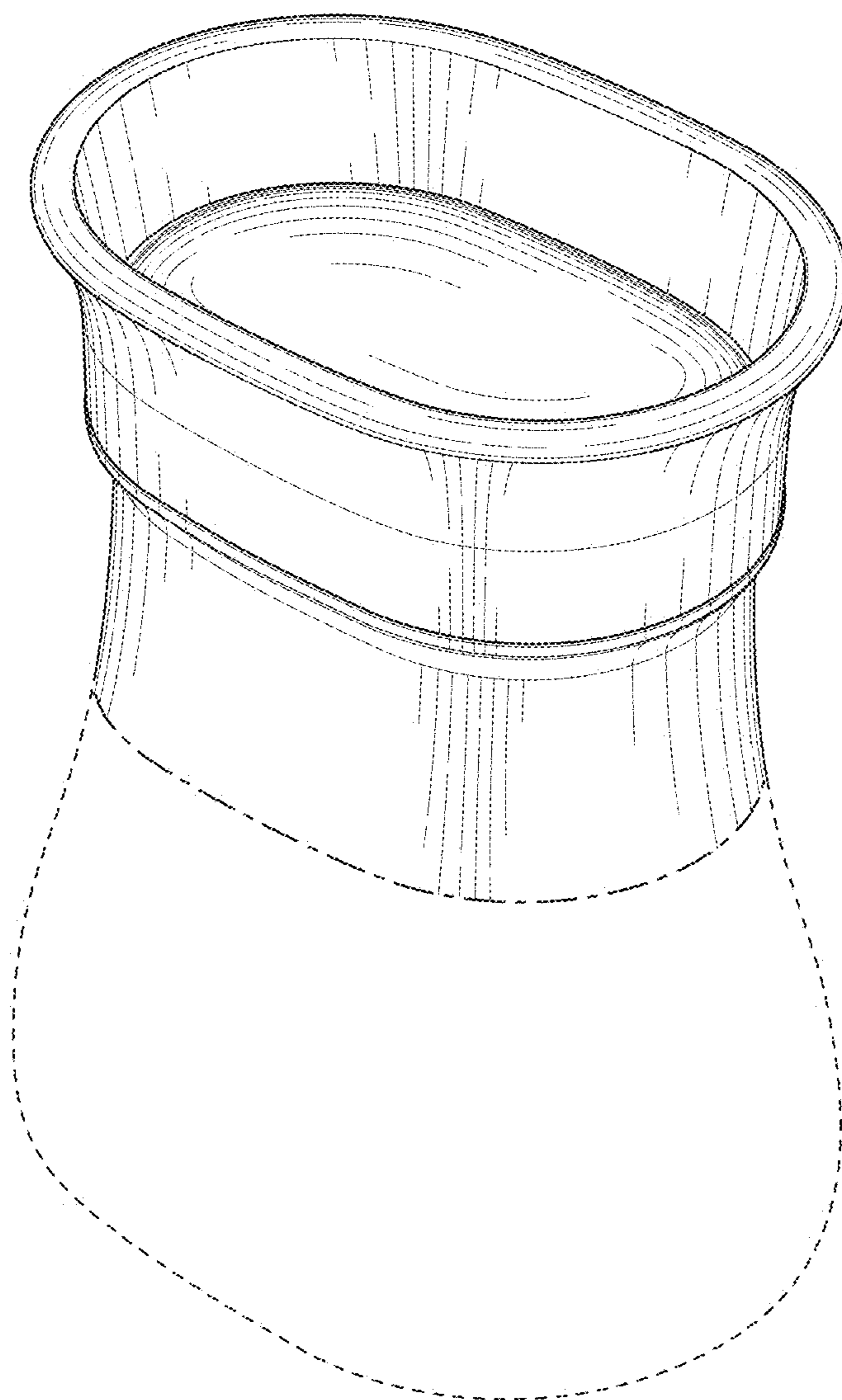


FIG. 1

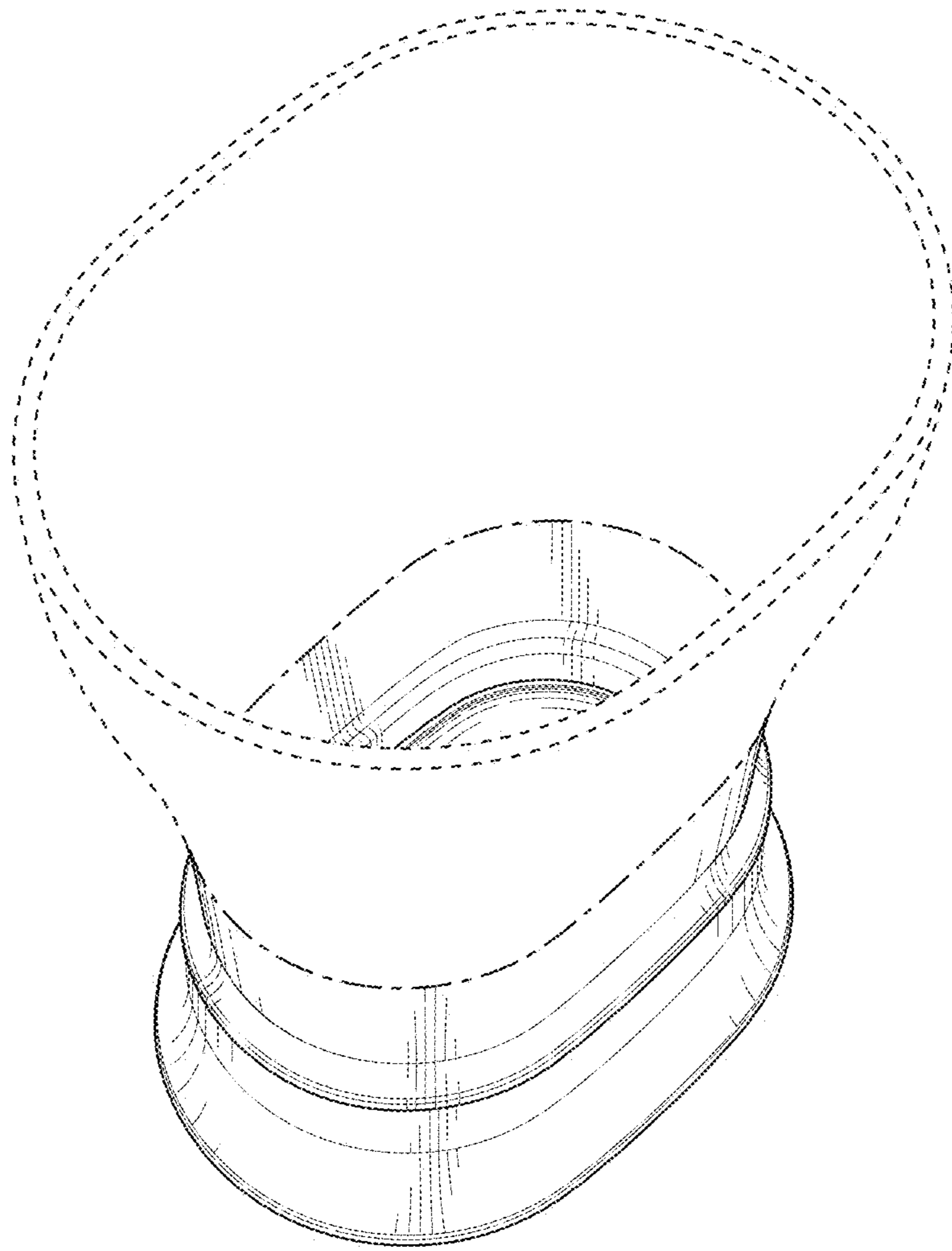


FIG. 2

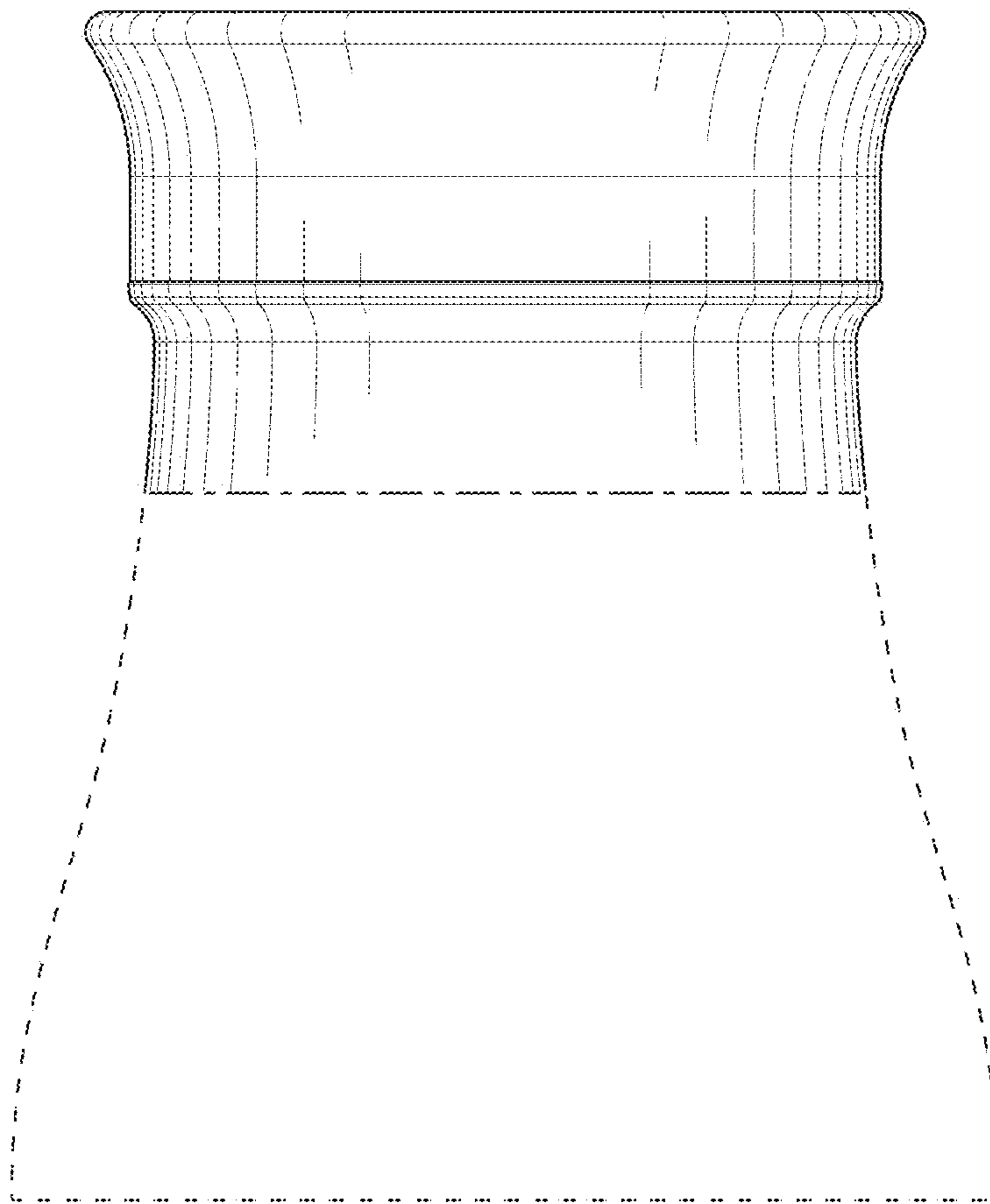


FIG. 3

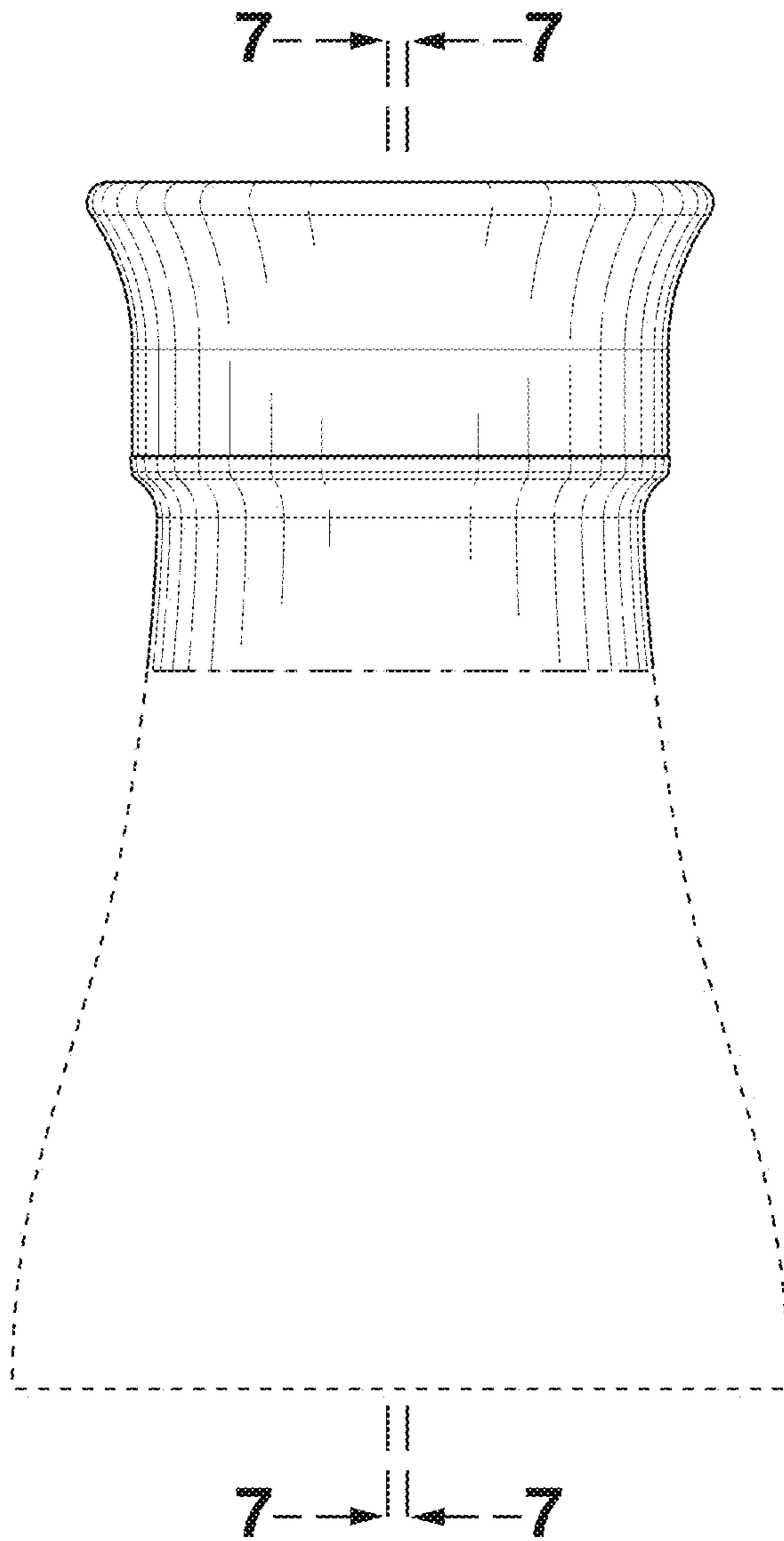


FIG. 4

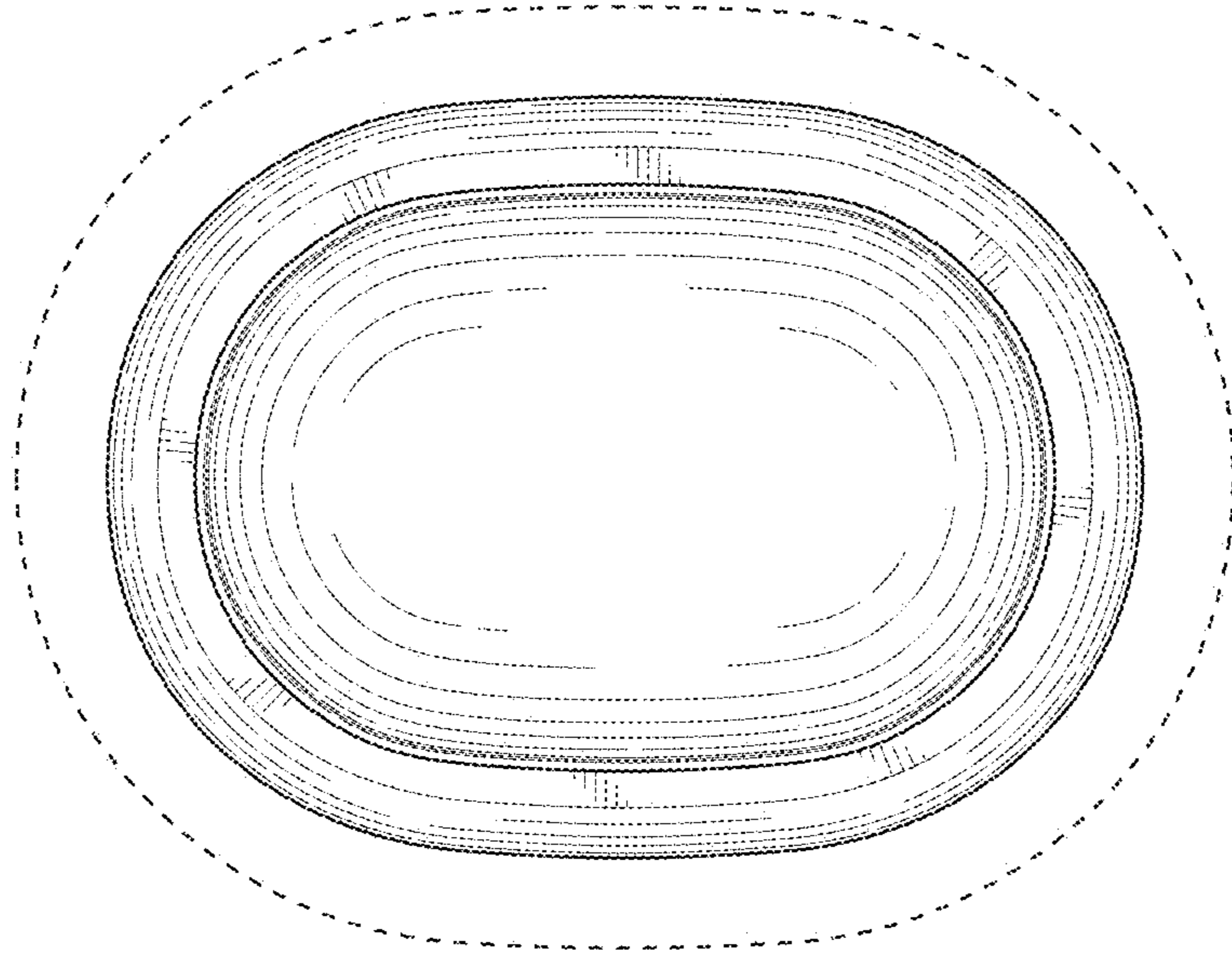


FIG. 5

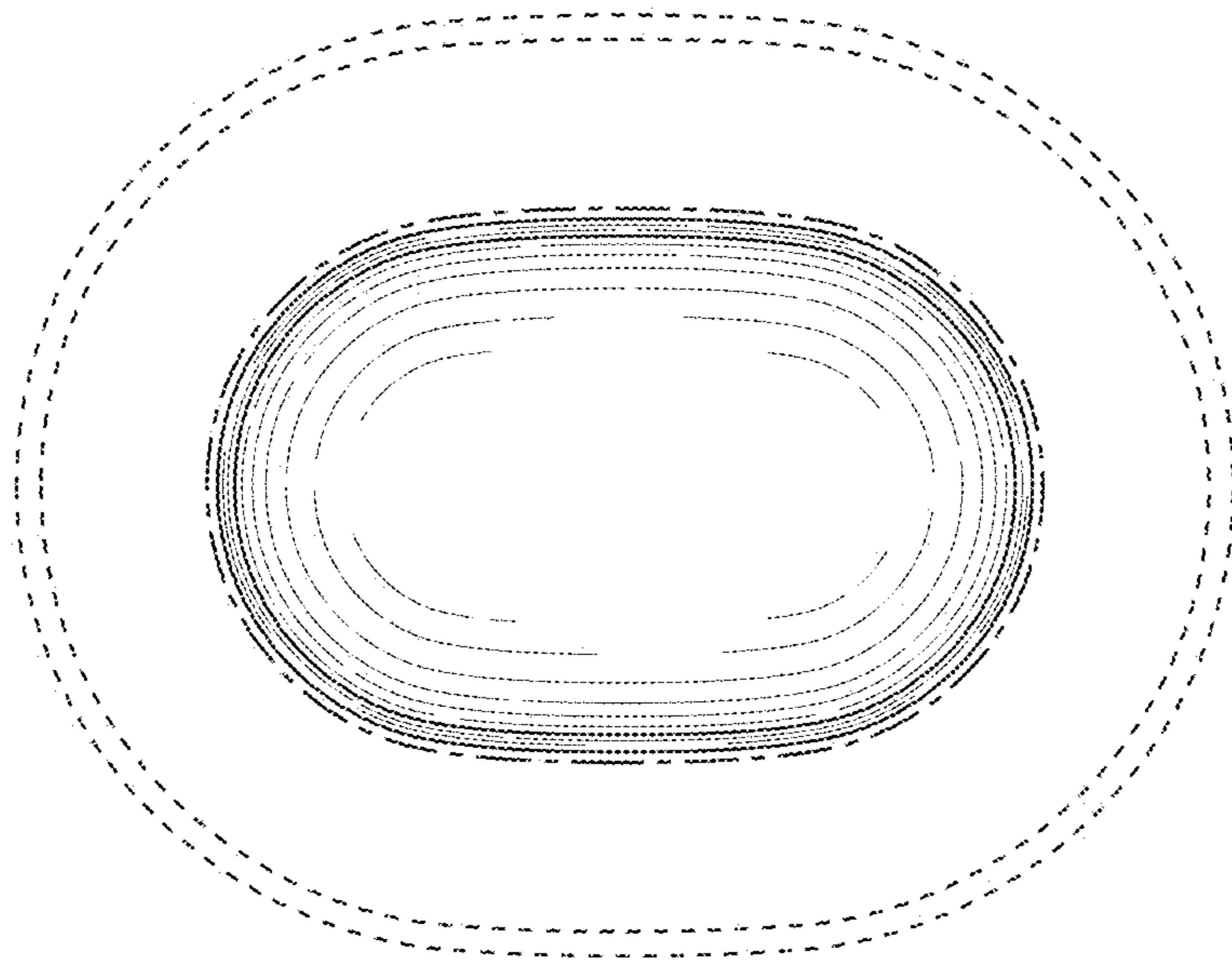


FIG. 6

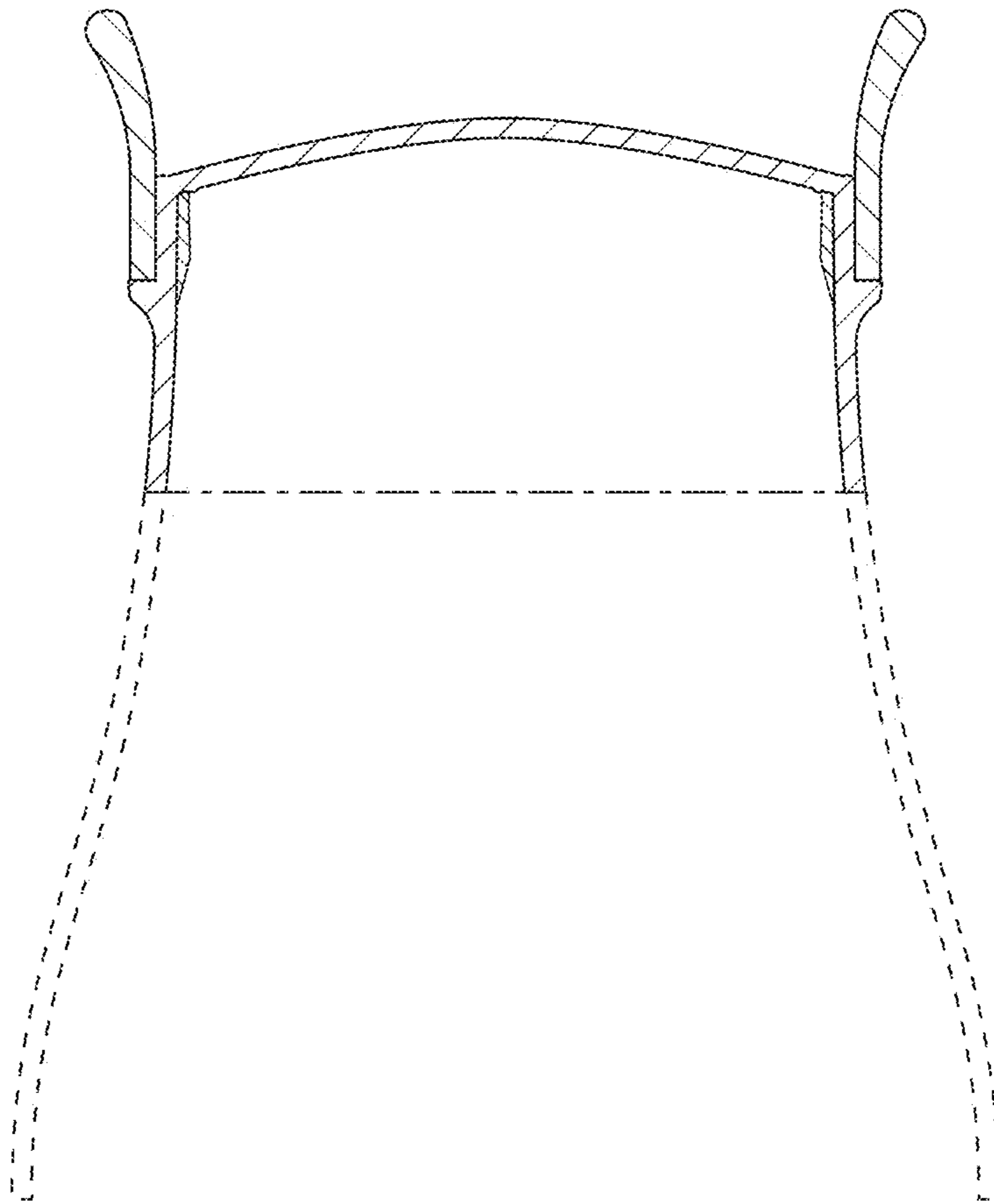


FIG. 7