



US00D753485S

(12) **United States Design Patent**  
**Marsh et al.**

(10) **Patent No.:** **US D753,485 S**  
(45) **Date of Patent:** **\*\* Apr. 12, 2016**

(54) **PACKAGE FOR PIZZA CRUST**

(71) Applicant: **Flatout, Inc.**, Greenwich, CT (US)

(72) Inventors: **Stacey Marsh**, Greenwich, CT (US);  
**Jeffrey Wallace**, Greenwich, CT (US)

(73) Assignee: **Flatout, Inc.**, Saline, MI (US)

(\*\*) Term: **14 Years**

(21) Appl. No.: **29/507,207**

(22) Filed: **Oct. 24, 2014**

(51) **LOC (10) Cl.** ..... **09-03**

(52) **U.S. Cl.**  
USPC ..... **D9/432**

(58) **Field of Classification Search**  
USPC ..... D9/414, 415, 418, 421, 423–426, 430,  
D9/432–438, 440, 443–445, 447, 449,  
D9/455–457, 499, 707, 709, 761; 206/299,  
206/362.4, 528, 776; 229/115, 125.37  
CPC ..... B65D 5/029  
See application file for complete search history.

(56) **References Cited**

**U.S. PATENT DOCUMENTS**

D171,242 S *	1/1954	Belf et al.	.....	206/379
D213,674 S *	4/1969	Deweese	.....	D9/425
D249,240 S *	9/1978	Klitzner	.....	D3/271.6
D254,478 S *	3/1980	Carroll	.....	D9/704
D261,861 S *	11/1981	Carter	.....	D9/418
D351,786 S *	10/1994	Grunhut	.....	D9/423
D368,654 S *	4/1996	Santoiemmo	.....	D9/415

D410,841 S *	6/1999	Guzman	.....	D9/418
D465,155 S *	11/2002	Weinstein	.....	D9/430
D575,635 S *	8/2008	Rozenzweig	.....	D9/418
D610,468 S *	2/2010	Rothstein	.....	D9/709
D637,904 S *	5/2011	Anderson	.....	D9/430
D653,534 S *	2/2012	Shinn	.....	D9/415
D666,087 S *	8/2012	Anderson	.....	D9/415
D684,463 S *	6/2013	Elfstrum	.....	D9/430

**OTHER PUBLICATIONS**

Flatout Flatbread. Artisan Thin Pizza Crust. Sep. 18, 2012 [online], [site visited Oct. 23, 2015]. Available from Internet, <URL:http://www.flatoutbread.com/products/thin-crust-artisan-pizza/>.\*

\* cited by examiner

*Primary Examiner* — Robert M Spear  
*Assistant Examiner* — Darcey E Heflin

(74) *Attorney, Agent, or Firm* — Barnes & Thornburg LLP

(57) **CLAIM**

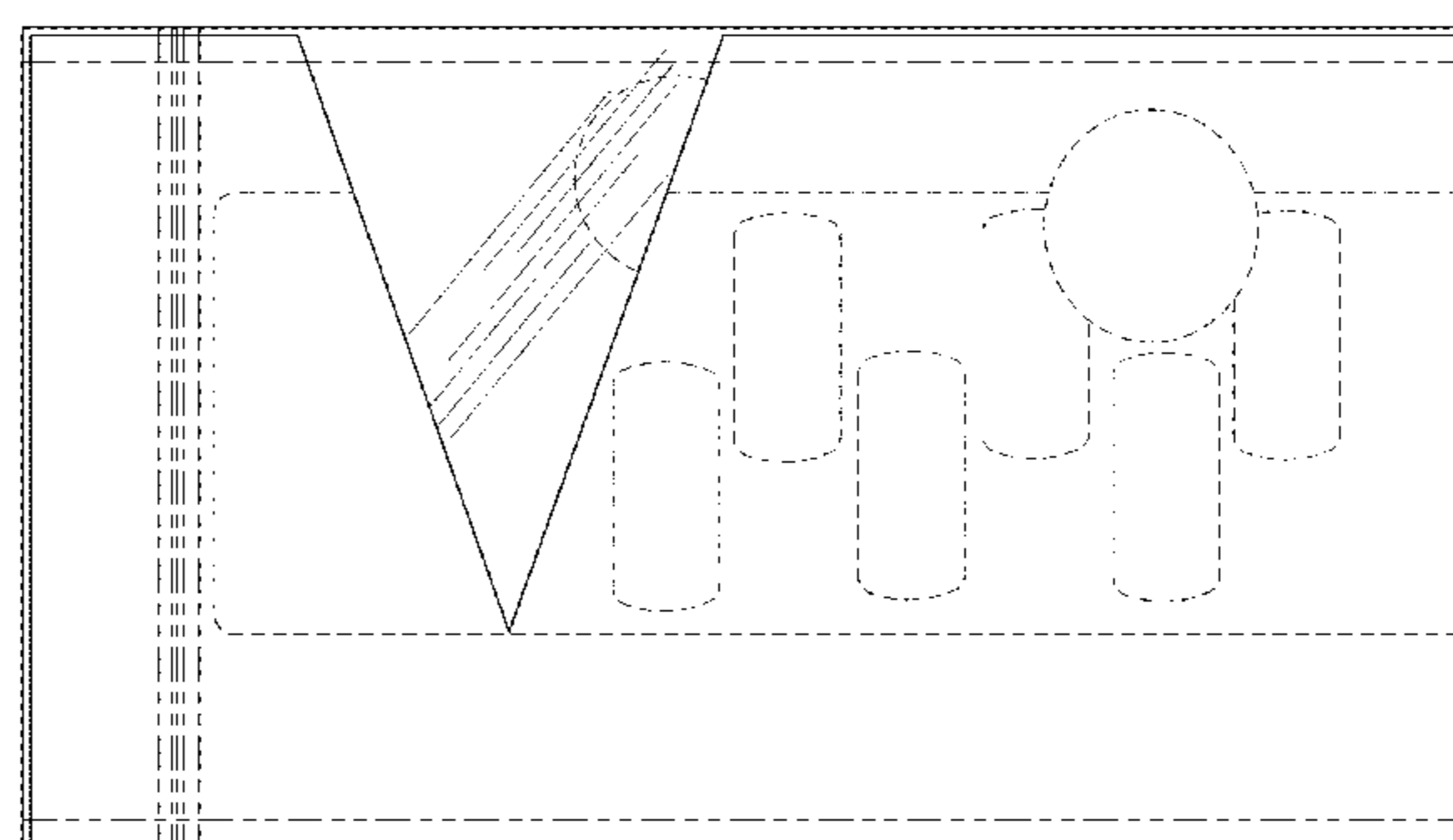
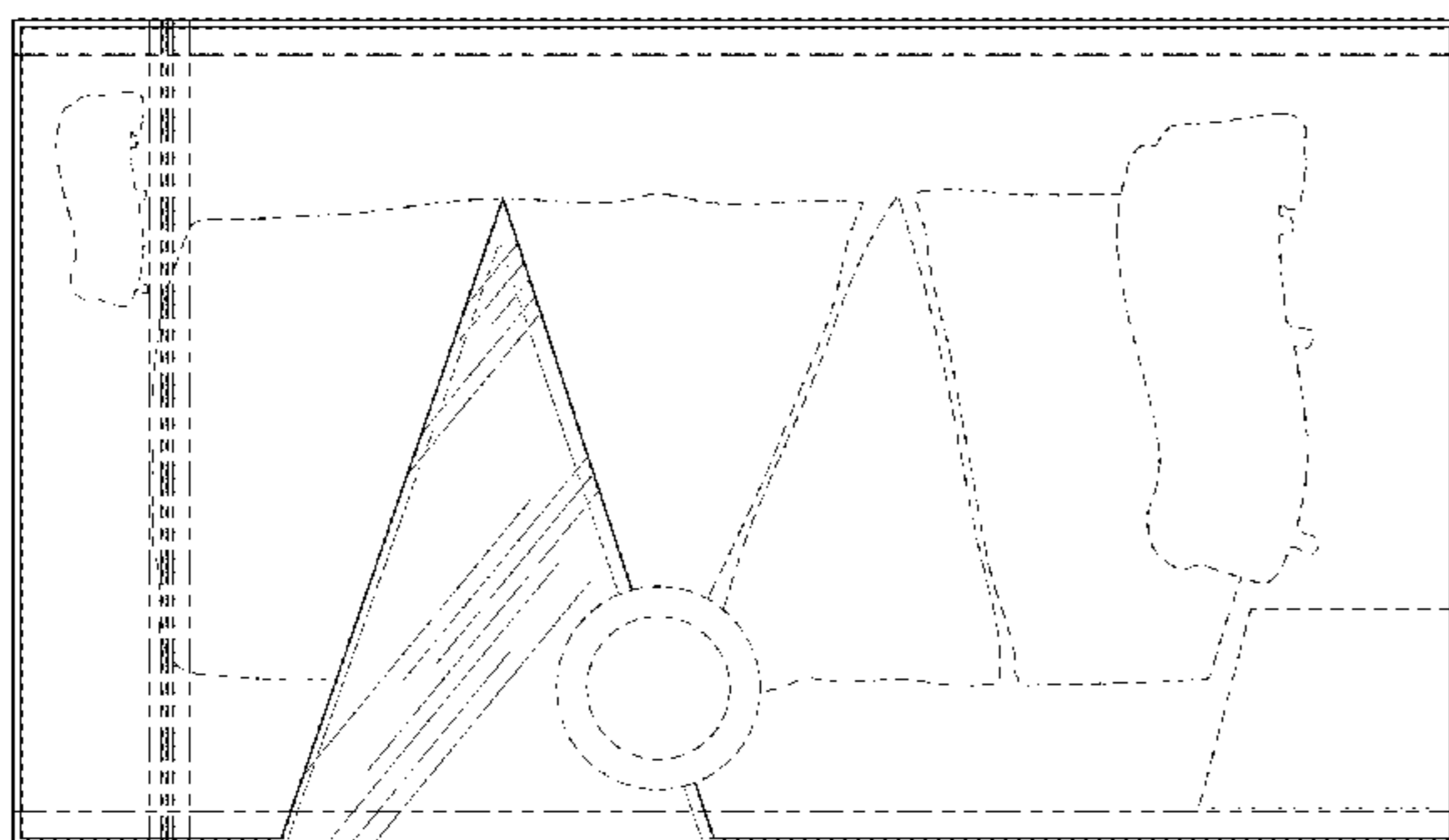
The ornamental design for a package for pizza crust, as shown and described.

**DESCRIPTION**

FIG. 1 is a top plan view of package for pizza crust; and, FIG. 2 is a bottom plan view of the package.

The evenly-spaced broken lines depict environmental structure for illustrative purposes only and form no part of the claimed design. The long dash with two short dash broken lines illustrate seams on the packaging and form part of the claimed design. The package thickness forms no part of the claimed design.

**1 Claim, 2 Drawing Sheets**



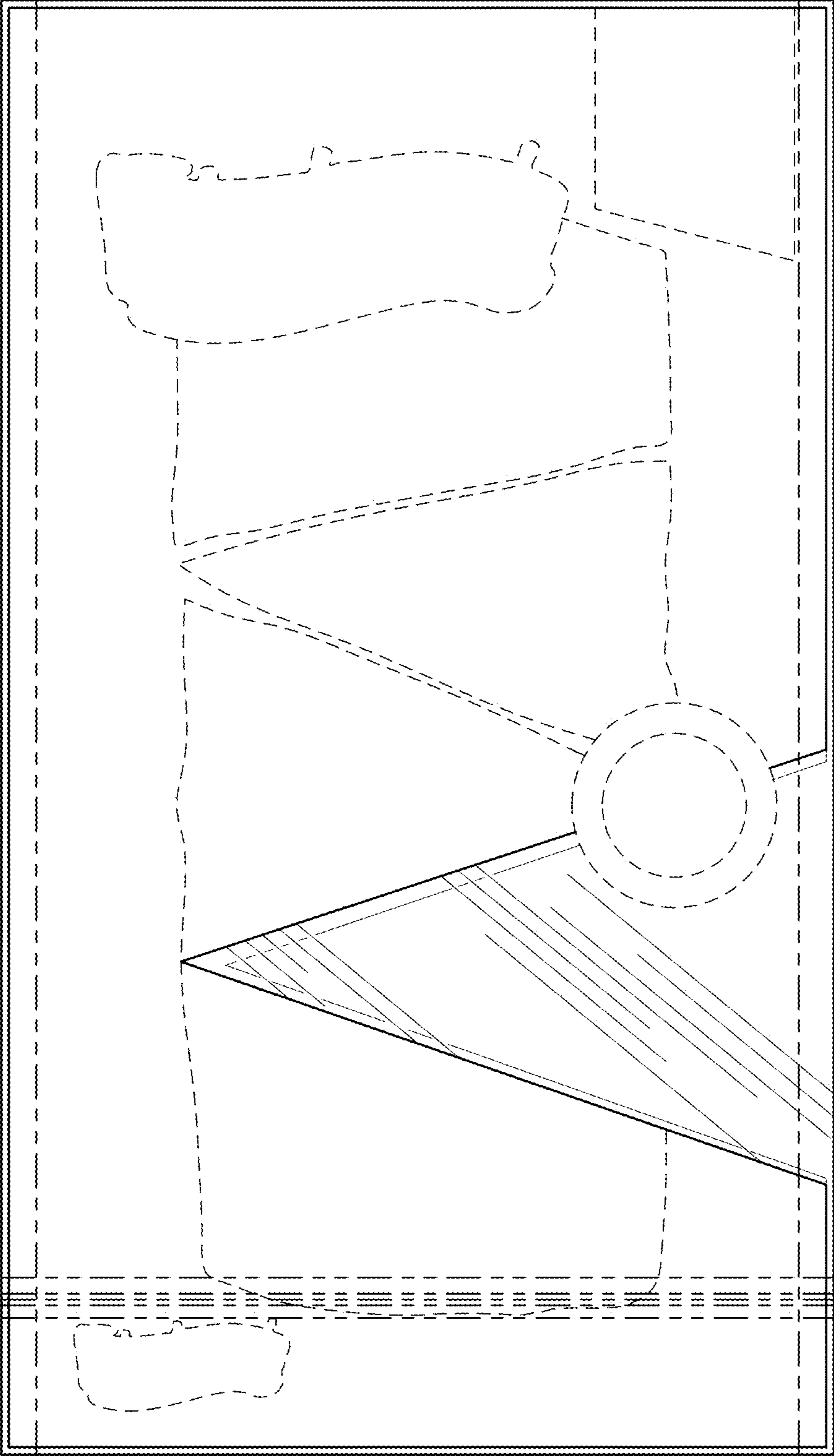


FIG-1

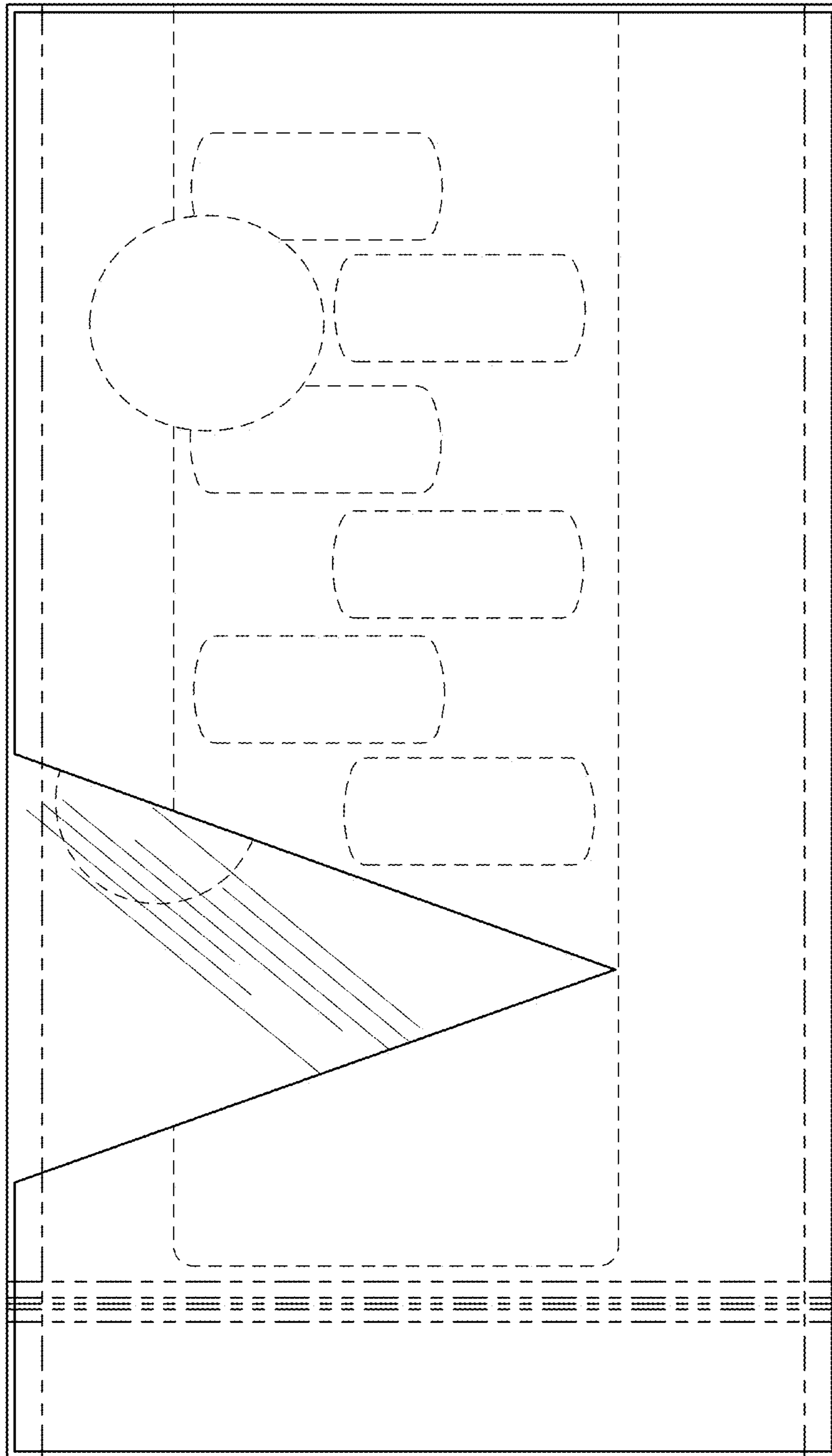


FIG - 2