



US00D753484S

(12) **United States Design Patent**
Lyulyev

(10) **Patent No.:** **US D753,484 S**
(45) **Date of Patent:** **** Apr. 12, 2016**

(54) **PACKAGING CONTAINER**

(71) Applicant: **Vyacheslav M. Lyulyev**, Moscow (RU)

(72) Inventor: **Vyacheslav M. Lyulyev**, Moscow (RU)

(**) Term: **14 Years**

(21) Appl. No.: **29/467,280**

(22) Filed: **Sep. 17, 2013**

(30) **Foreign Application Priority Data**

Aug. 12, 2013 (RU) 2013137670
Aug. 26, 2013 (EM) 002297192

(51) **LOC (10) Cl.** **09-03**

(52) **U.S. Cl.**
USPC **D9/432**

(58) **Field of Classification Search**
USPC D9/414, 416, 420, 421, 425, 426, 430,
D9/431, 452, 502, 782; D3/200, 201,
D3/203.1, 211; 229/105, 108, 111, 114
See application file for complete search history.

(56) **References Cited**

U.S. PATENT DOCUMENTS

D285,660 S *	9/1986	Cronsoie	D9/420
D345,101 S *	3/1994	Abrams	D9/423
D369,295 S *	4/1996	Kobari et al.	D9/423
D437,554 S *	2/2001	Milton	D9/420
D514,810 S *	2/2006	Armato	D3/294
D597,835 S *	8/2009	Kwon et al.	D9/432
D606,857 S *	12/2009	Stewart	D9/432
D622,590 S *	8/2010	Tayama	D9/432
D668,949 S *	10/2012	Hipperson et al.	D9/423
D685,629 S *	7/2013	McAdam	D9/420
D687,295 S *	8/2013	Park	D9/420
D697,401 S *	1/2014	Kidd et al.	D9/421
D709,364 S *	7/2014	Olsson et al.	D9/432

FOREIGN PATENT DOCUMENTS

EM 000027107-0001 4/2003

OTHER PUBLICATIONS

Cardboard Box for Fast Food, <http://www.bv-karton.ru/potrebitelskaya-kartonnaya-upakovka/kartonnaya-upakovka-dlya-fast-fuda>.

Lunch Box for Aircompany, http://inter-sacs.ru/list/Lanch_box/Lanch-Boks-dlja-aviakompanii.html.

* cited by examiner

Primary Examiner — Philip S Hyder

Assistant Examiner — Keith Frank

(74) *Attorney, Agent, or Firm* — Patentbar International, P.C.

(57) **CLAIM**

The ornamental design for a packaging container, as shown and described.

DESCRIPTION

FIG. 1 is a perspective view of a packaging container showing our new design;

FIG. 2 is a left side view thereof;

FIG. 3 is a right side view thereof;

FIG. 4 is a front view thereof in a closed position;

FIG. 5 is a back view thereof;

FIG. 6 is a bottom view thereof in a closed position; and

FIG. 7 is a top view thereof in a closed position;

FIG. 8 is a top view thereof in an open position;

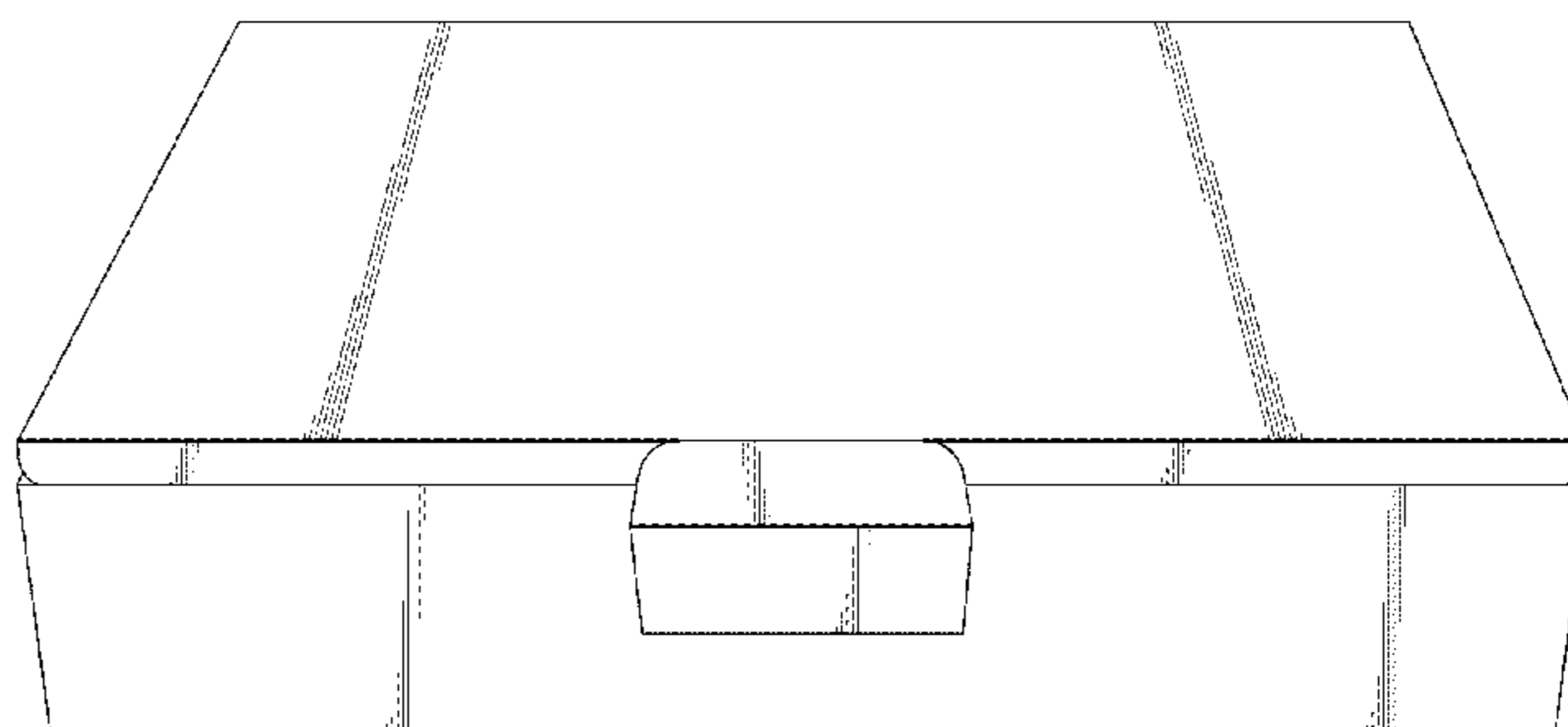
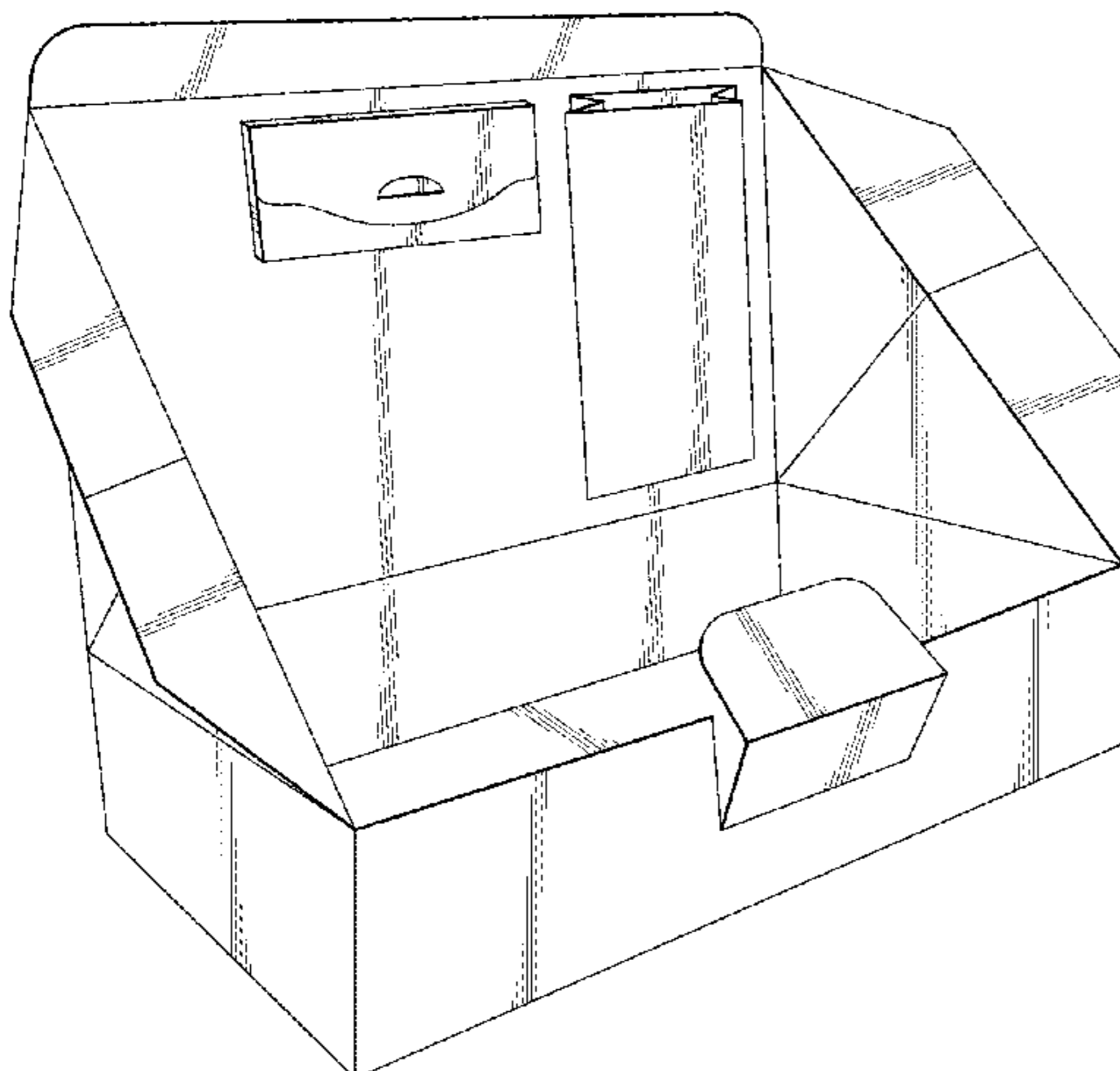
FIG. 9 is a perspective view thereof in a partially closed position;

FIG. 10 is a front view thereof in an open position; and,

FIG. 11 is a perspective view thereof in an open position.

The broken lines showing of the hands in FIG. 11 are depicted for the purpose of environment and form no part of the claimed design.

1 Claim, 11 Drawing Sheets



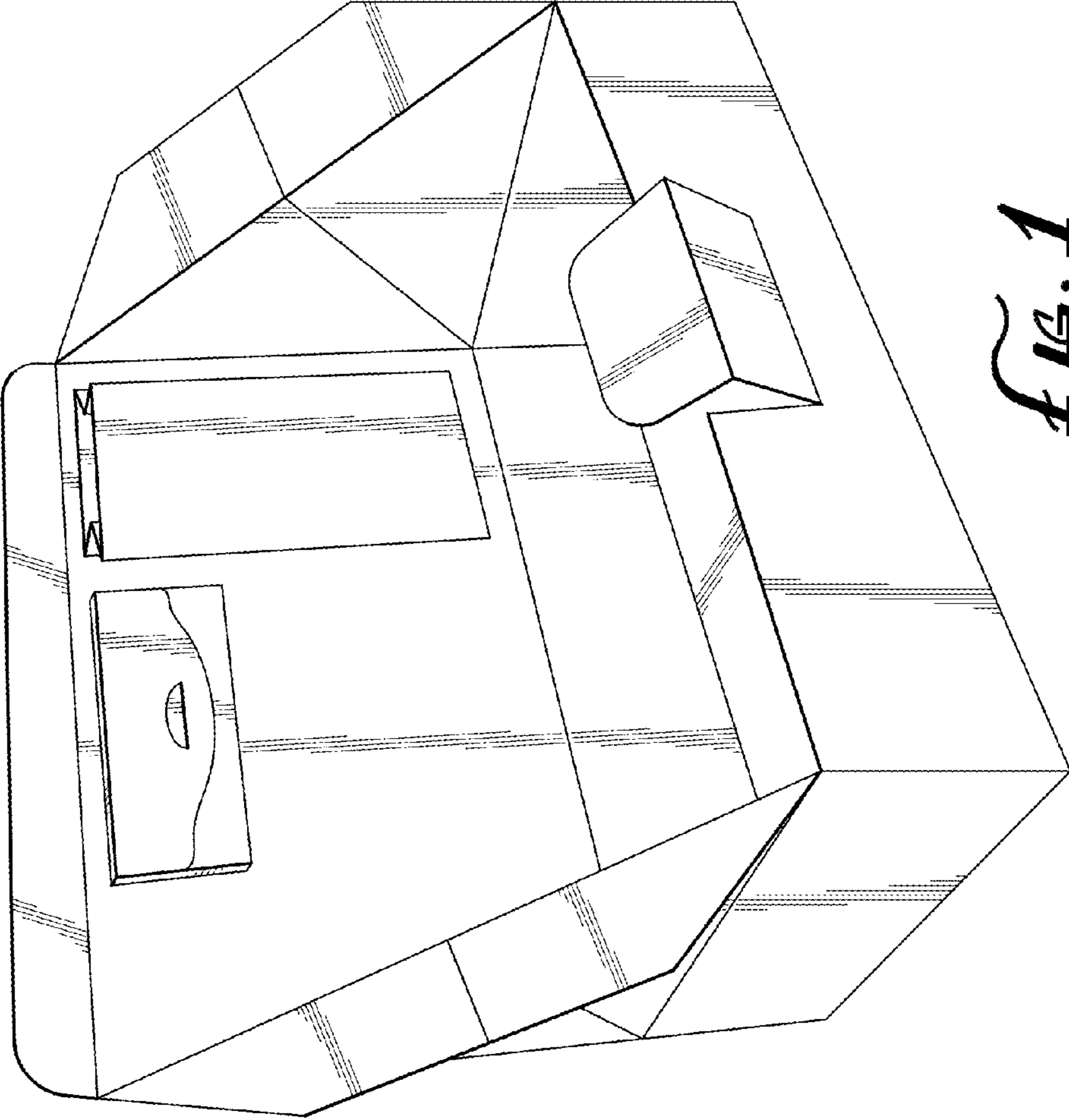
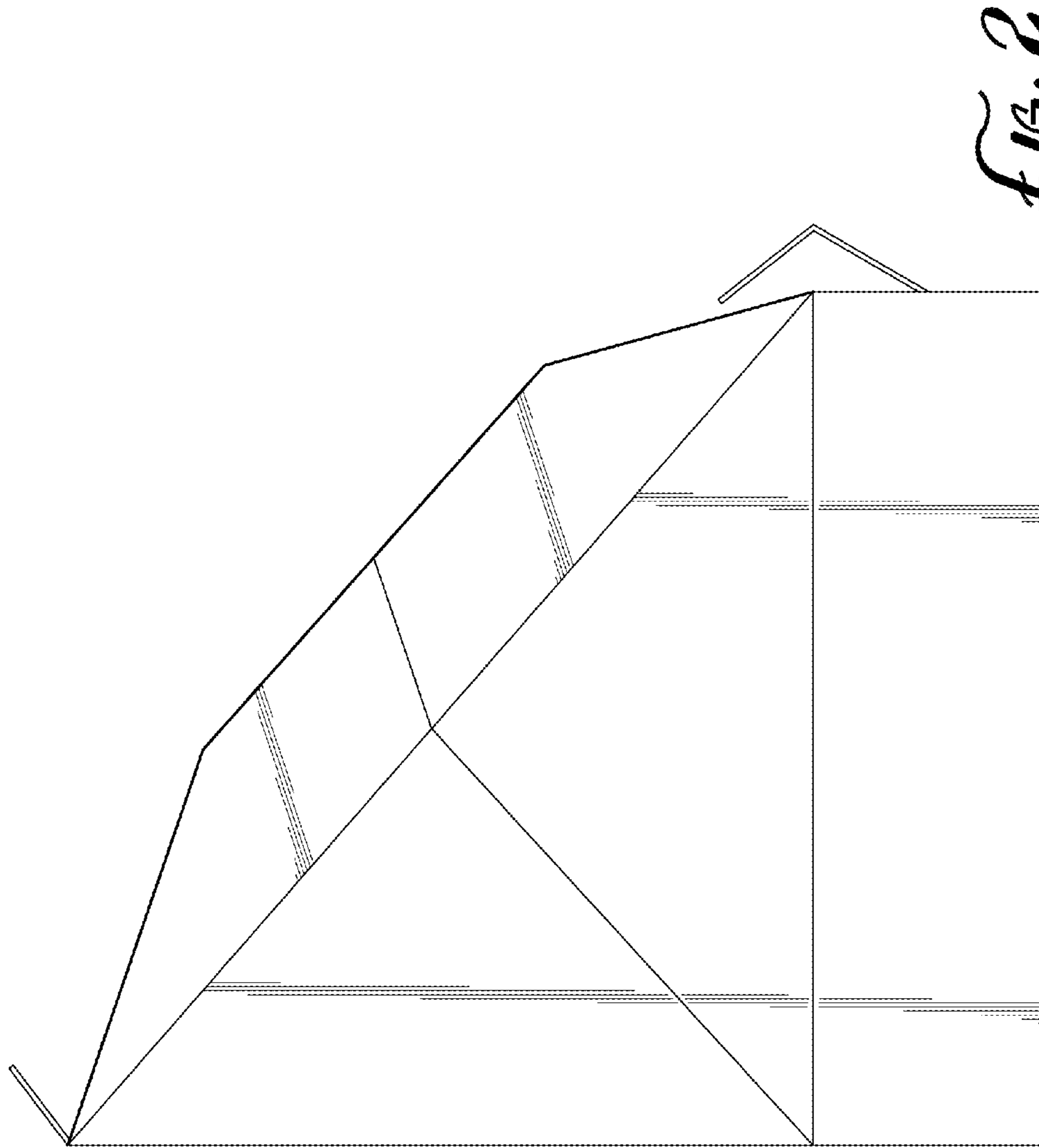


FIG. 1



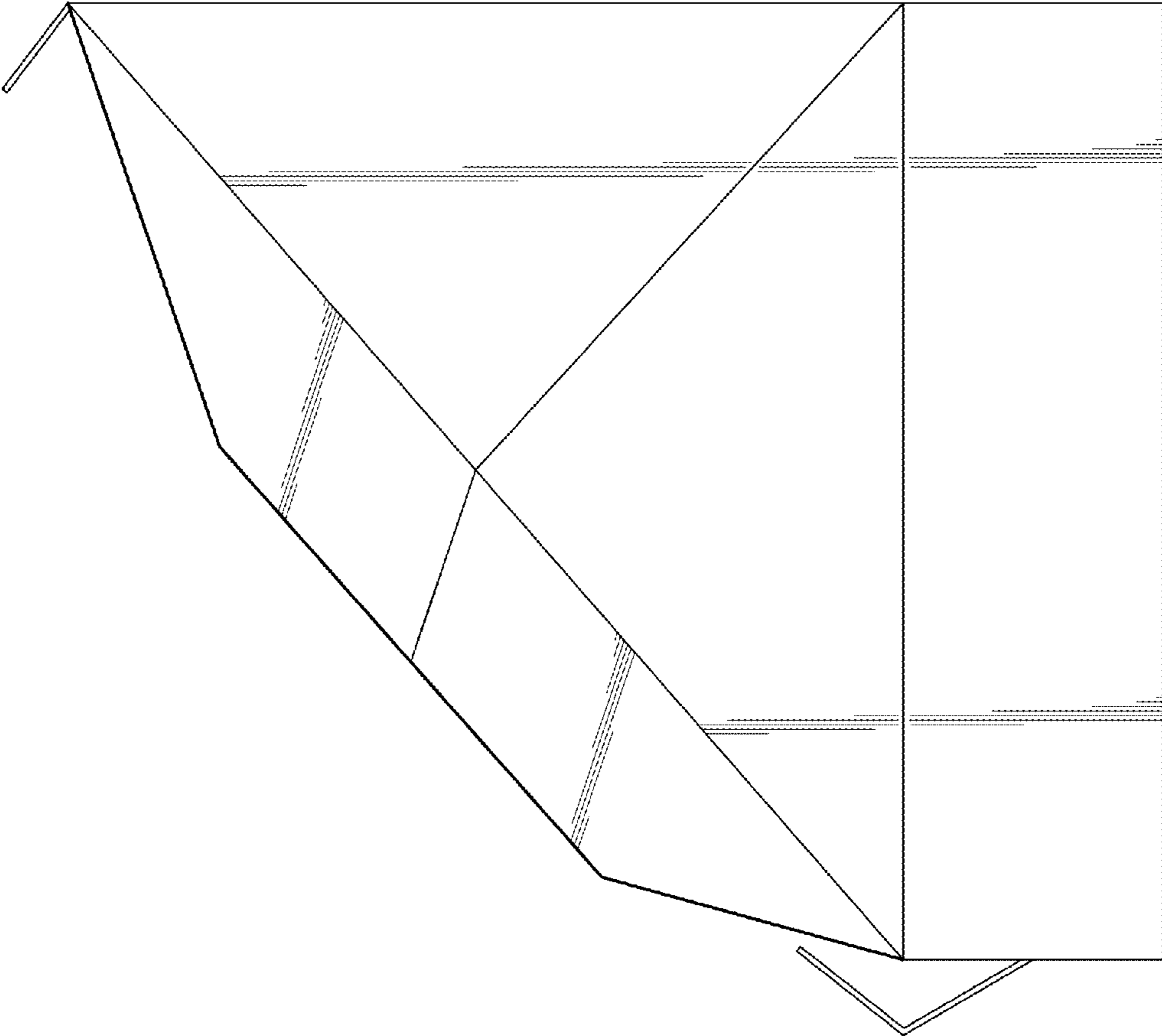


FIG. 3

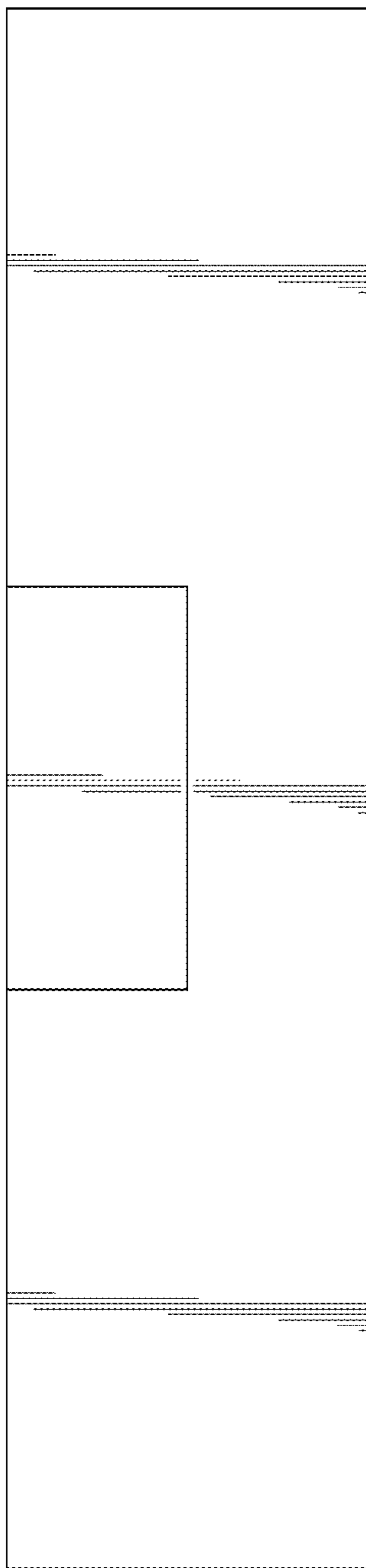


FIG. 4

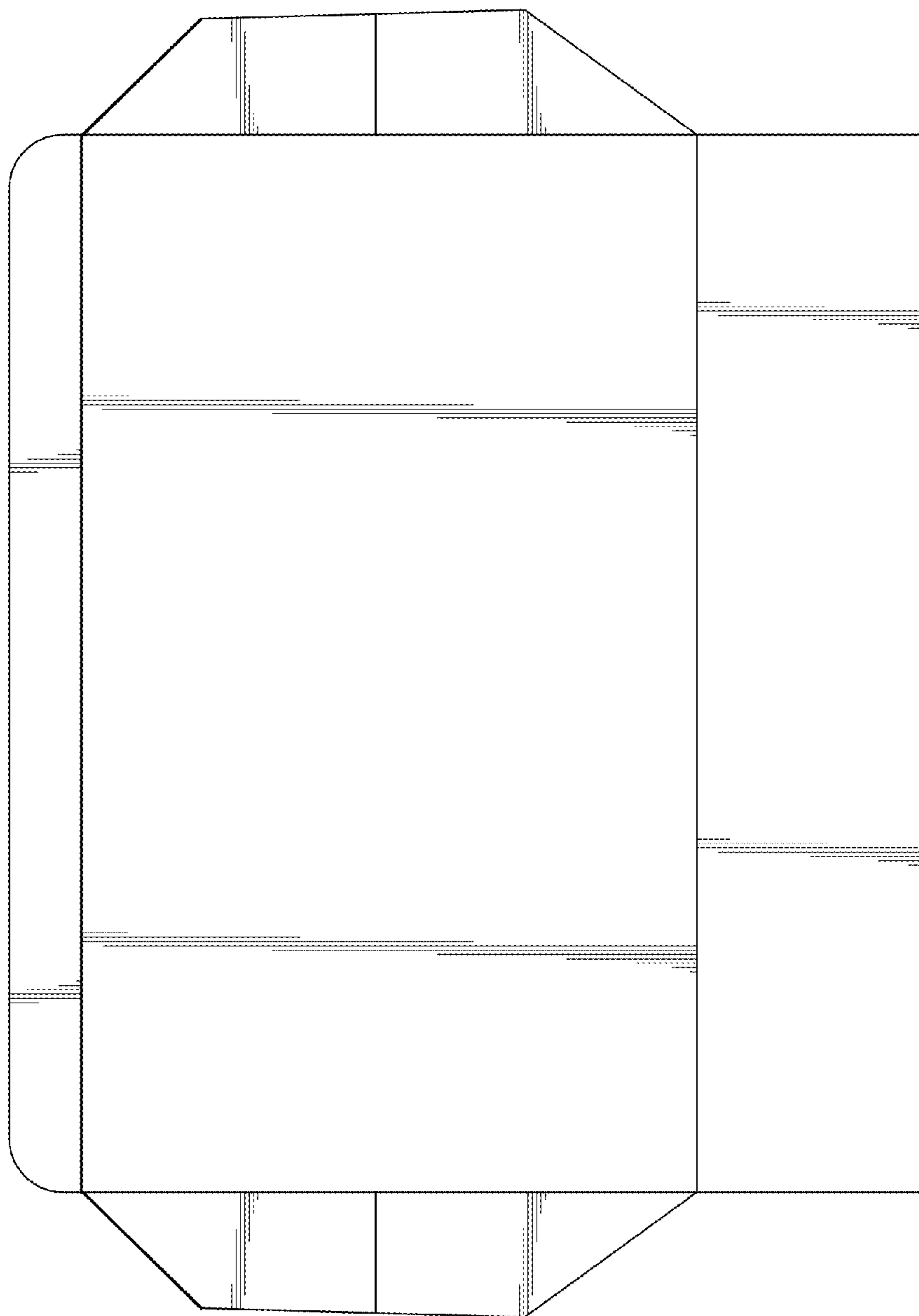


Fig. 5

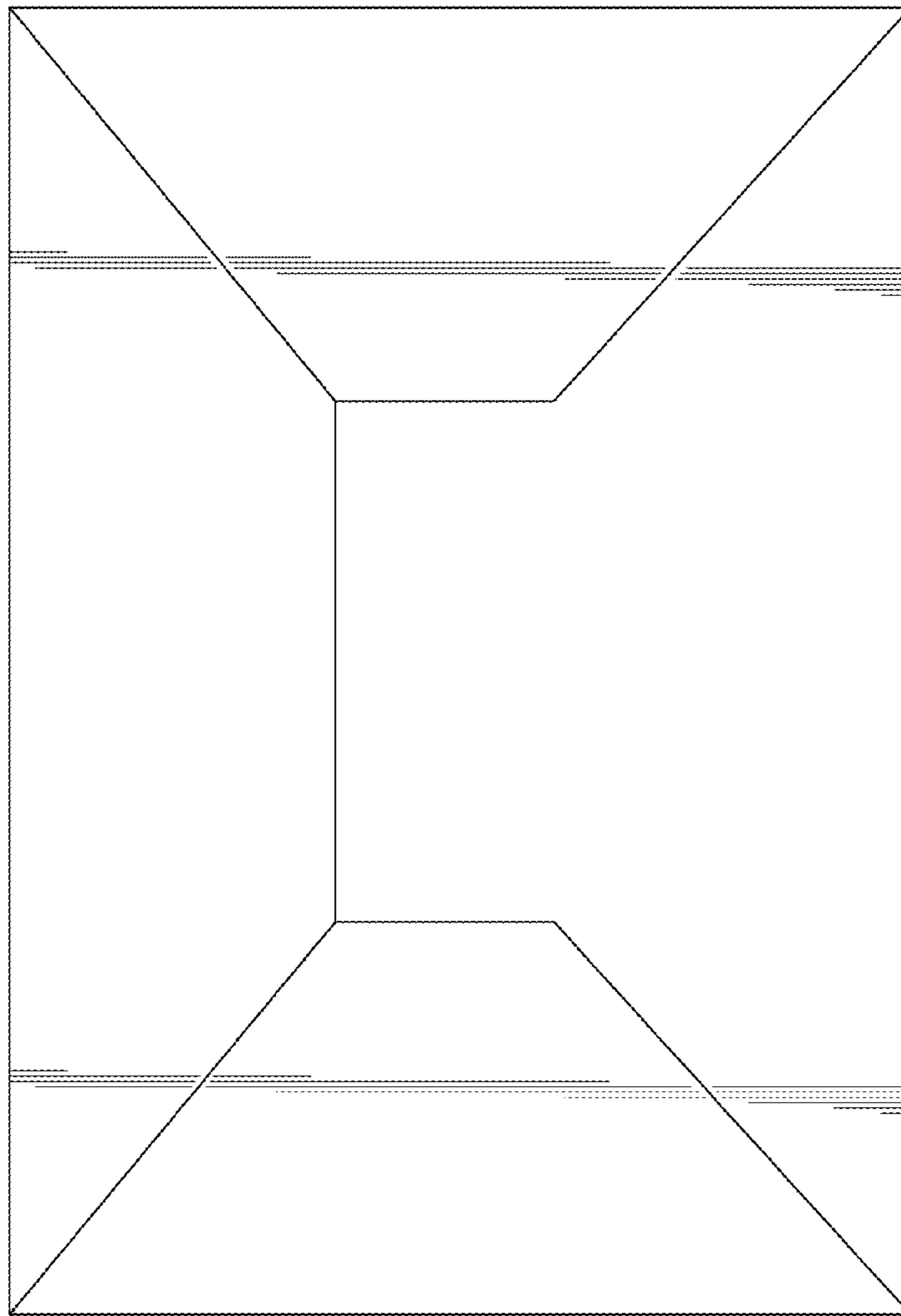


FIG. 6

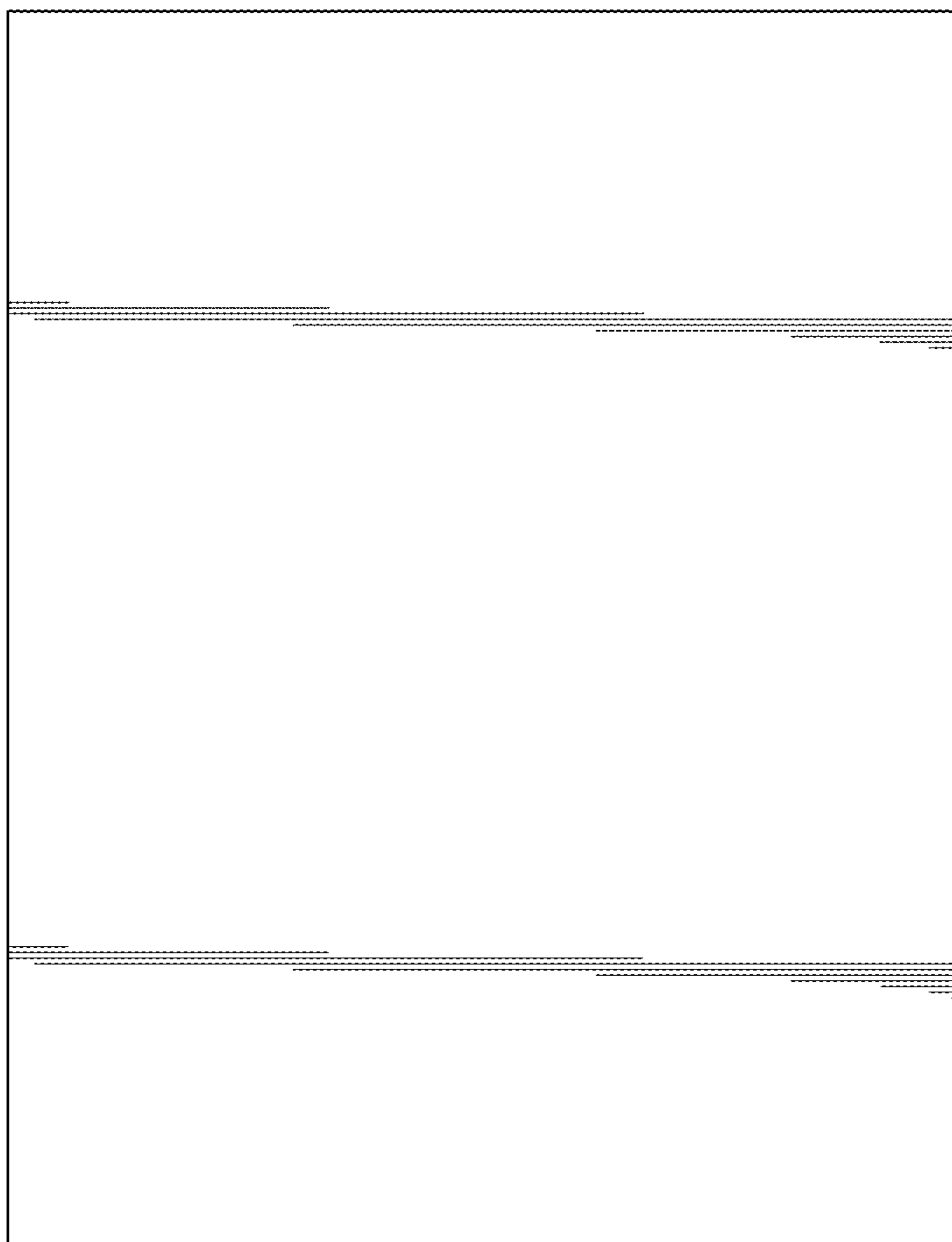


Fig. 7

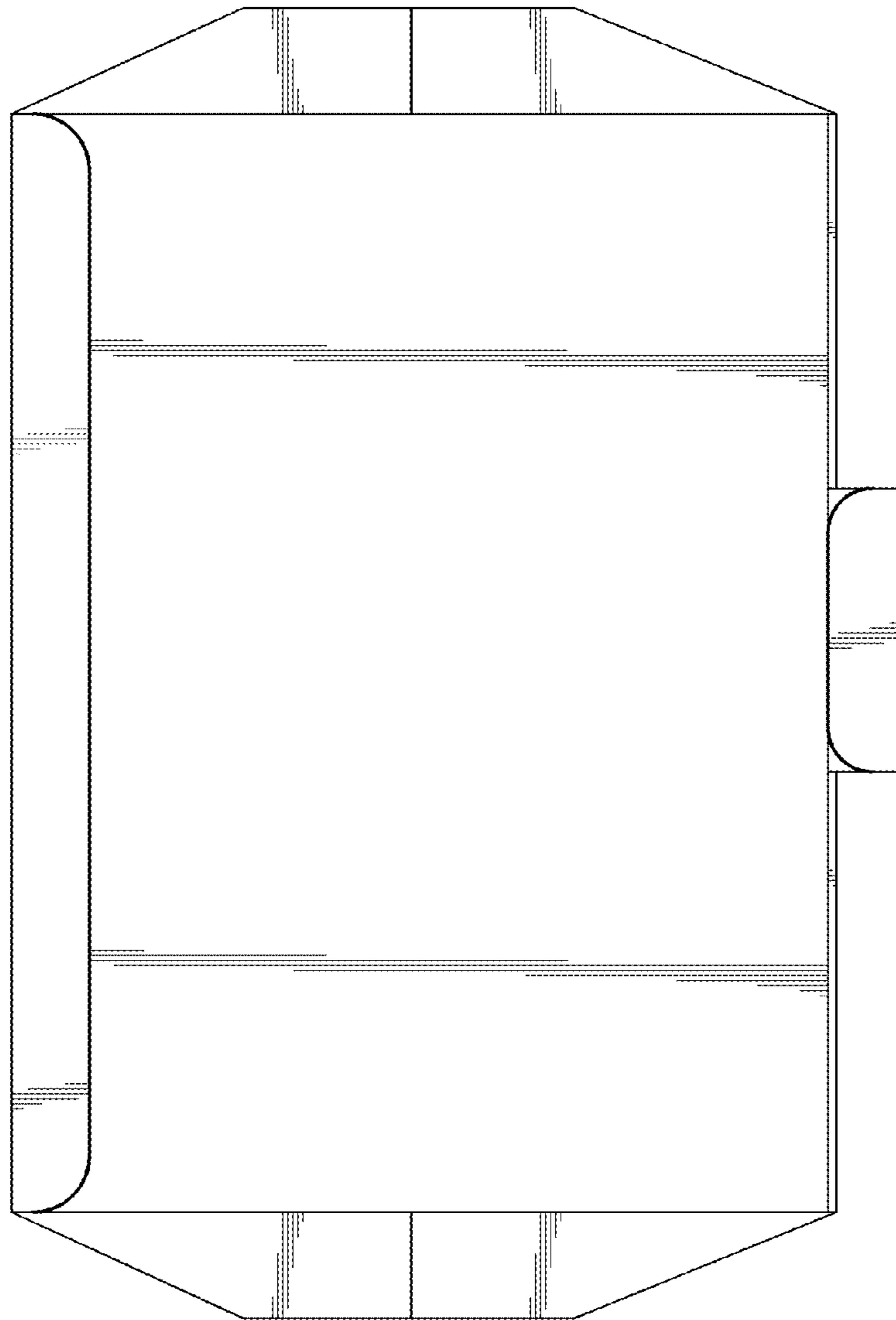


Fig. 8

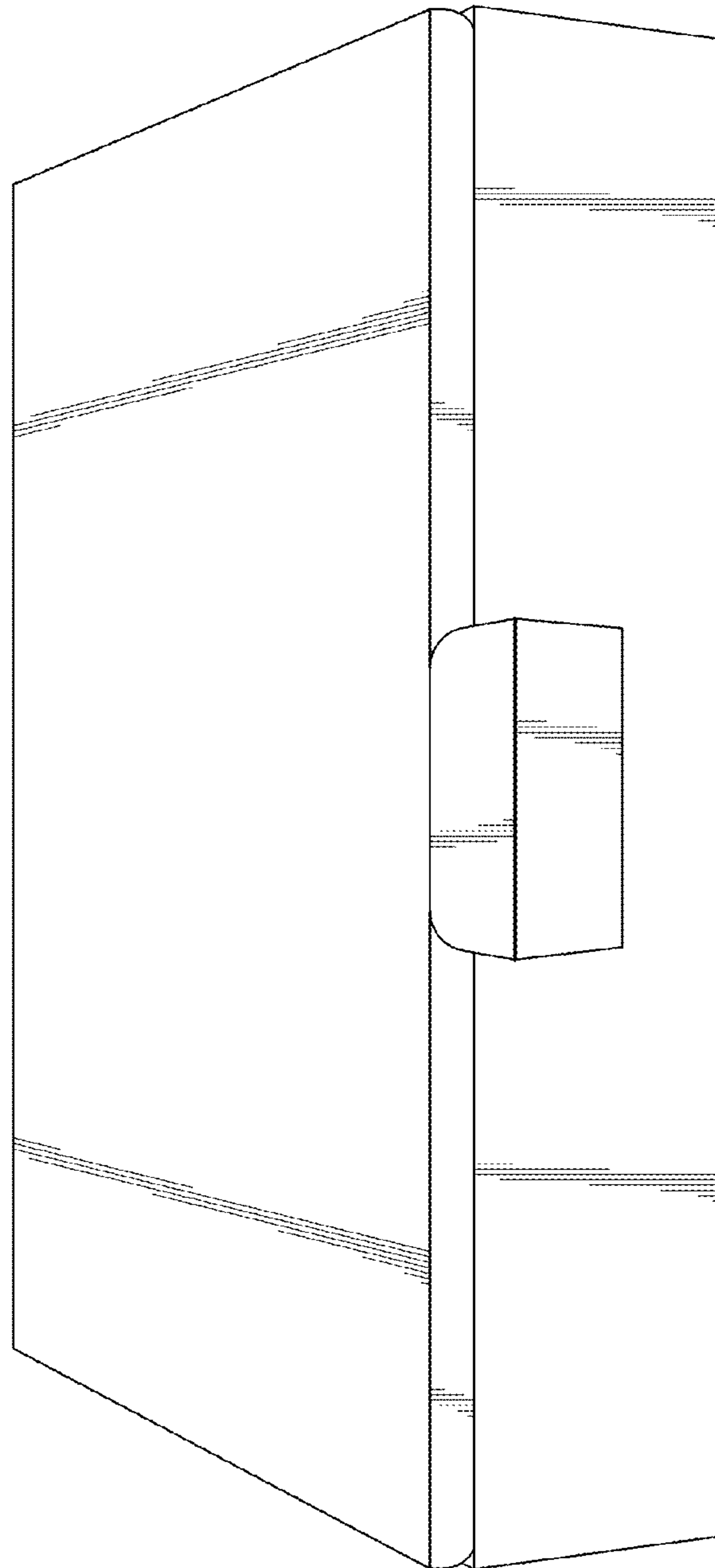


Fig. 9

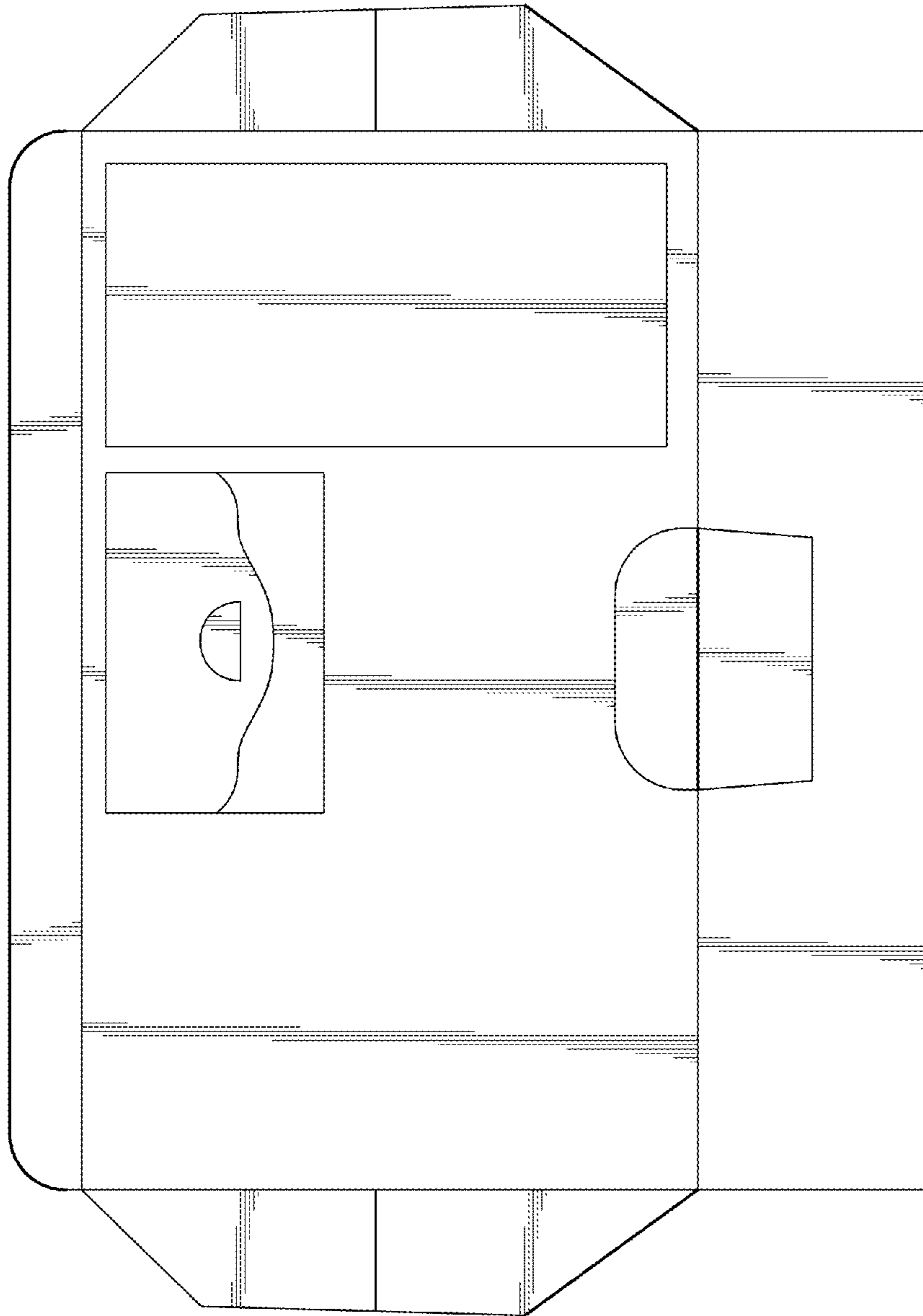


Fig. 10

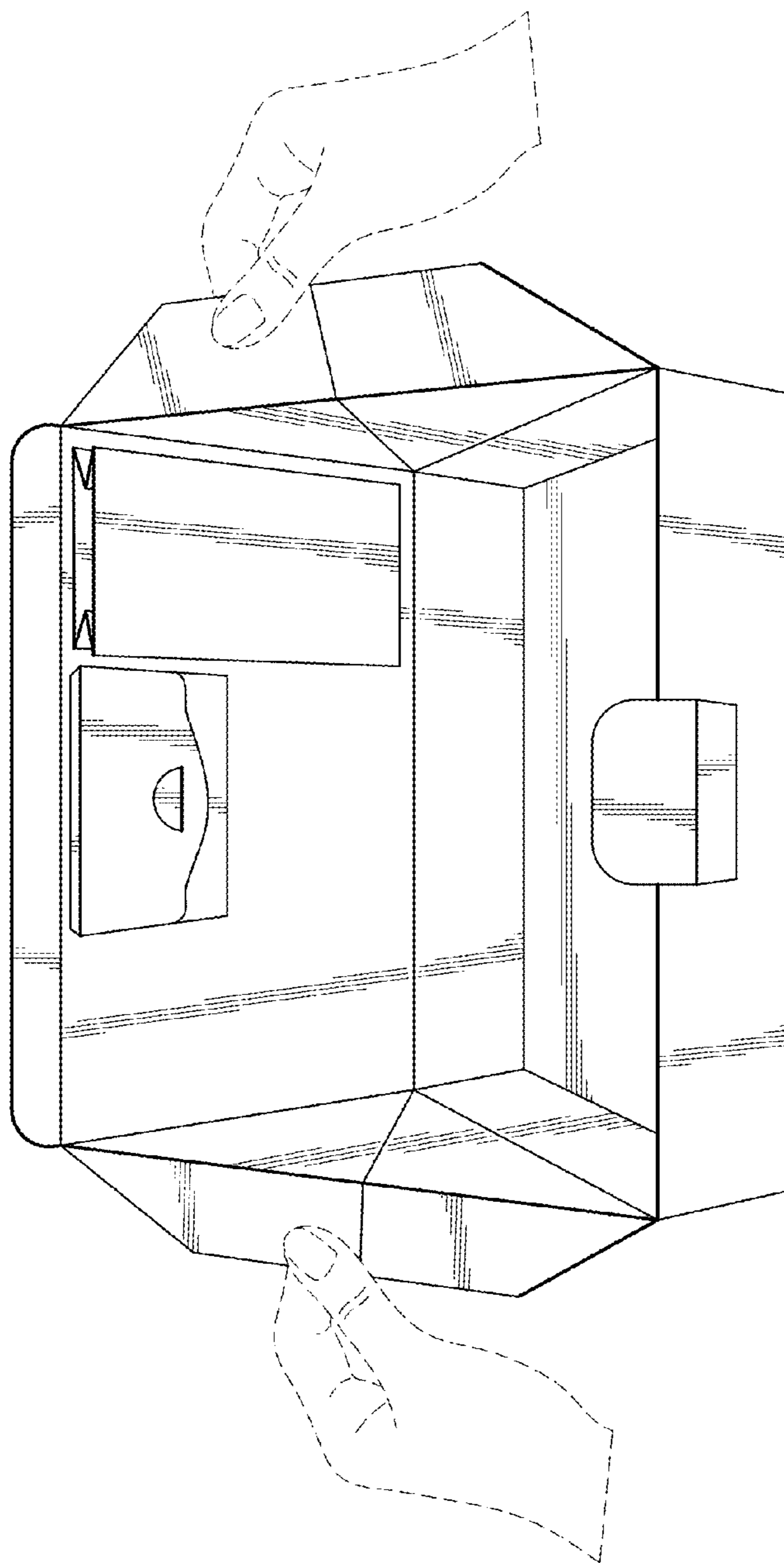


FIG. 11