



US00D753480S

(12) **United States Design Patent**
Paton et al.

(10) **Patent No.:** **US D753,480 S**
(45) **Date of Patent:** **** Apr. 12, 2016**

(54) **CAPSULE**

(56) **References Cited**

(71) Applicant: **Conopco, Inc.**, Englewood Cliffs, NJ
(US)

U.S. PATENT DOCUMENTS

(72) Inventors: **Michael Paton**, Royston (GB); **Daniel Thomas Toon**, Epping (GB)

4,136,202 A 1/1979 Favre
5,325,765 A 7/1994 Sylvan et al.
5,425,480 A * 6/1995 Rabenau B65D 83/00
206/229

(73) Assignee: **Conopco, Inc.**, Englewood Cliffs, NJ
(US)

5,619,904 A 4/1997 Di Nunzio
5,813,317 A 9/1998 Chang
D407,640 S * 4/1999 Nelson D28/8.1

(**) Term: **15 Years**

(Continued)

(21) Appl. No.: **29/527,391**

FOREIGN PATENT DOCUMENTS

(22) Filed: **May 19, 2015**

AT 511357 11/2007
AT 511332 11/2012

(Continued)

Related U.S. Application Data

(62) Division of application No. 29/466,849, filed on Sep. 12, 2013, now Pat. No. Des. 732,386.

OTHER PUBLICATIONS

Miahcel Harney, *Brewing Temperature*, The Harney & Sons Guide to Tea, 2008, p. 12, ., The Penguin Press, .

(30) **Foreign Application Priority Data**

(Continued)

Mar. 21, 2013 (EM) 002206326-0001
Mar. 21, 2013 (EM) 002206326-0002

Primary Examiner — Karen S Acker
Assistant Examiner — Wendy Arminio
(74) *Attorney, Agent, or Firm* — Ellen Plotkin

(51) **LOC (10) Cl.** **09-03**

(52) **U.S. Cl.**
USPC **D9/416; D9/428**

(58) **Field of Classification Search**
USPC D9/414, 415, 416, 417, 419, 421, 424,
D9/425, 428, 429; D7/318, 319, 619.1,
D7/629; 229/400-406, 906.1;
220/656-659, 669-675, 912,
220/4.21-4.27; 206/553, 557, 541, 775,
206/776, 217

CPC A47J 36/06; A47J 47/14; B65D 1/165;
B65D 15/08; B65D 21/083; B65D 21/0234;
B65D 43/162; B65D 71/50; B65D 77/24;
B65D 81/3869; B65D 2543/00046; B65D
2543/00055; B65D 2543/00083; B65D
2543/00092; B65D 2543/00296

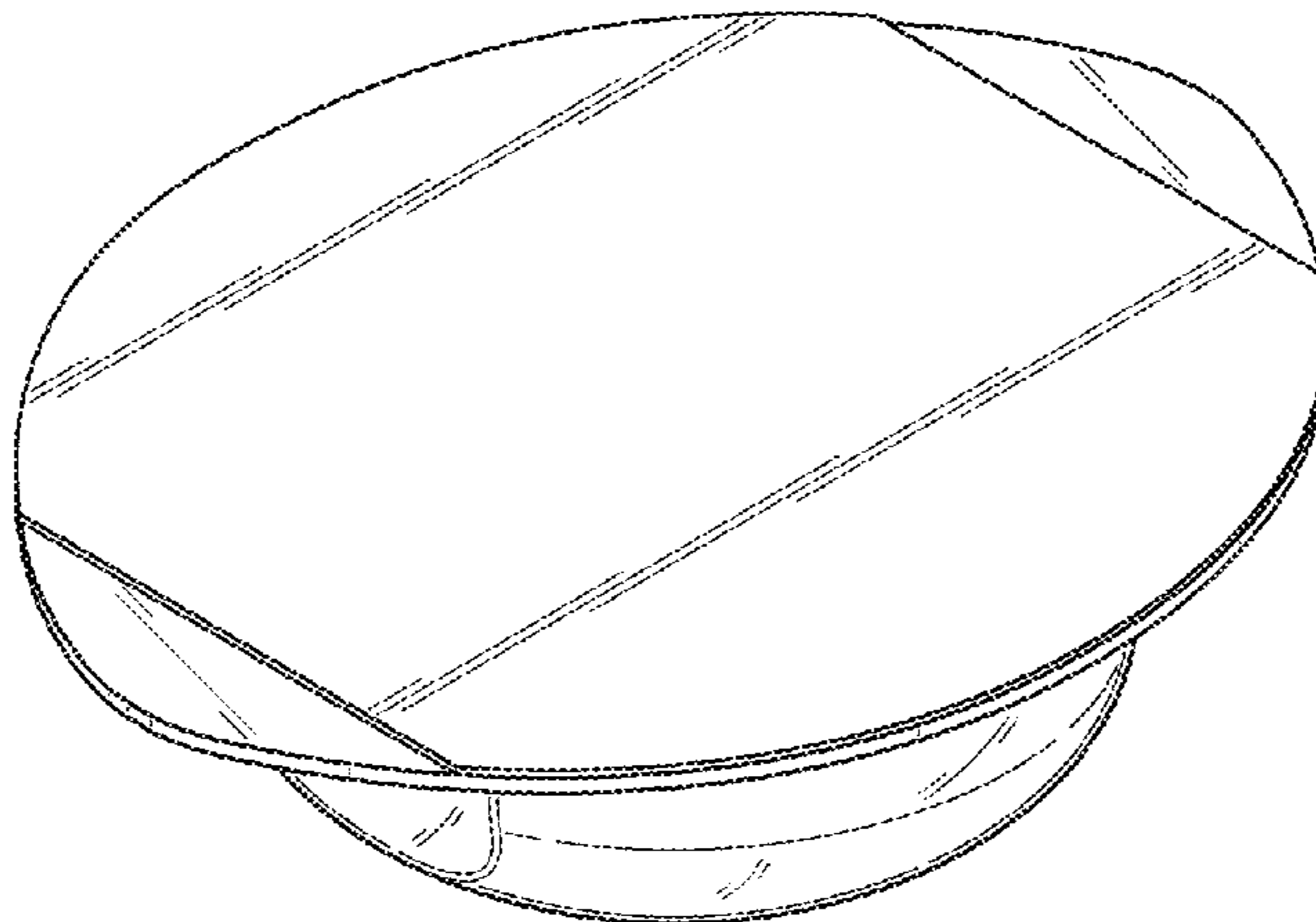
See application file for complete search history.

(57) **CLAIM**
An ornamental design for a capsule, as shown and described.

DESCRIPTION

FIG. 1 is a perspective view of the top, front and side of a capsule;
FIG. 2 is a front view thereof;
FIG. 3 is a back view thereof;
FIG. 4 is a left side view thereof;
FIG. 5 is a right side view thereof;
FIG. 6 is a top plan view thereof; and,
FIG. 7 is a bottom plan view thereof.

1 Claim, 3 Drawing Sheets



(56)

References Cited

U.S. PATENT DOCUMENTS

5,947,004	A	9/1999	Huang	
D420,856	S *	2/2000	Yeo	D7/545
D425,416	S	5/2000	Denham et al.	
D436,532	S	1/2001	Richardson	
D438,103	S	2/2001	Edwards et al.	
D445,674	S	7/2001	Pritchett	
D462,900	S	9/2002	Yamada et al.	
D495,189	S	8/2004	Cahen	
D506,926	S *	7/2005	Halliday	D9/416
D520,185	S *	5/2006	Zeng	D24/101
D539,643	S	4/2007	Abel	
D540,608	S	4/2007	Cahen	
D549,361	S	8/2007	To et al.	
D571,656	S	6/2008	Maslowski	
D602,303	S	10/2009	Cahen	
D606,363	S *	12/2009	Aardenburg	D7/400
7,640,843	B2 *	1/2010	Halliday	A47J 31/4407 426/115
D624,785	S	10/2010	Rousselin	
D630,880	S	1/2011	Zimmermann	
D643,682	S	8/2011	Asthan	
8,010,050	B2	8/2011	Kennedy	
D649,392	S	11/2011	Cahen	
D666,451	S	9/2012	Cheng	
D670,539	S	11/2012	Starr et al.	
D672,188	S	12/2012	Luippold et al.	
D681,386	S	5/2013	Pininfarina	
D684,043	S	6/2013	Brown et al.	
D688,392	S	8/2013	Tsai	
D689,768	S	9/2013	Inderbitzin	
D694,620	S	12/2013	Hansen	
8,690,013	B2	4/2014	Kneer	
D704,494	S	5/2014	Blanc	
8,820,974	B2	9/2014	Chang et al.	
D715,465	S	10/2014	Hasuo et al.	
2002/0048621	A1 *	4/2002	Boyd	A47J 31/3623 426/77
2006/0065127	A1	3/2006	Dalton et al.	
2006/0174770	A1	8/2006	Jordana	
2009/0220650	A1 *	9/2009	Ozanne	B65D 85/8043 426/78
2013/0129872	A1	5/2013	Kruger	
2014/0196608	A1	7/2014	Amrein et al.	

FOREIGN PATENT DOCUMENTS

CA	289071	10/2012
CN	2636781	9/2004
CN	2636781	11/2004
DE	EP1772081	10/2005
DE	202012104474	1/2013
EA	EP0455337	3/1991
EP	0451980	3/1991
EP	1654966	5/2006
EP	1658796	5/2006
EP	1772398	A1 10/2006
EP	1922962	11/2006
EP	1774878	4/2007
EP	2263501	12/2010
EP	2243378	B1 6/2011
EP	2476633	7/2012
GB	1561188	2/1980
GB	2437483	4/2006
RU	2192140	11/2002

WO	WO2007019993	2/2007
WO	WO2007042485	4/2007
WO	WO2007042486	4/2007
WO	WO2008058576	5/2008
WO	WO2008156283	12/2008
WO	WO2009130311	10/2009
WO	WO2010076263	7/2010
WO	WO2011000723	1/2011
WO	WO2011000724	1/2011
WO	WO2011141532	11/2011
WO	WO2012010317	1/2012
WO	WO2013008012	1/2013
WO	WO2012144885	10/2013

OTHER PUBLICATIONS

Jan. 1, 2013, Espresso Coffee Club Nespresso Swiss Capsules 2013 p. 1, p. 1 (NPL1 p. 1).

Oct. 7, 2014, IPRP2 in PCTEP2013063942 (NPL1 pp. 2-14).

CBTL Caffitaly E Caffè Capsules 2013 p. 1, Jan. 1, 2013, p. 1 (NPL1 p. 15).

IPRP2 in PCTEP2013063947, Nov. 21, 2014 (NPL 1 pp. 30-47).

IPRP2 in PCTEP2013063950, Jul. 6, 2014 (NPL 1 pp. 16-29).

Nespresso Single Serve Capsules 2013 p. 1, Jan. 1, 2013, p. 1 (NPL 1 p. 48).

Search Report in EP12175405, Jan. 24, 2013 (NPL 1 pp. 49-50).

Search Report in EP12175406, Dec. 21, 2012 (NPL 1 pp. 51-52).

Search Report in EP14159168, Jun. 24, 2014 (NPL 1 pp. 53-55).

Search Report in PCTEP2013063942, Feb. 11, 2014 (NPL 1 pp. 56-59).

Search Report in PCTEP2013063943, Feb. 7, 2014 (NPL 1 pp. 60-62).

Search Report in PCTEP2013063946, Feb. 6, 2014 (NPL 1 pp. 63-65).

Search Report in PCTEP2013063947, Mar. 24, 2014 (NPL 1 pp. 66-74).

Search Report in PCTEP2013063948, Mar. 24, 2014 (NPL 1 pp. 75-80).

Search Report in PCTEP2013063949, Feb. 6, 2014 (NPL 2 pp. 1-4).

Search Report in PCTEP2013063950, Feb. 7, 2014 (NPL 2 pp. 5-8).

Search Report in PCTEP2014054859, Jul. 2, 2014 (NPL 2 pp. 9-12).

Written Opinion in EP12175405, Jan. 24, 2013 (NPL 2 p. 13).

Written Opinion in EP12175406, Dec. 21, 2012 (NPL 2 pp. 14-16).

Written Opinion in PCTEP2013063942, Feb. 11, 2014 (NPL 2 pp. 17-22).

Written Opinion in PCTEP2013063943, Feb. 7, 2014 (NPL 2 pp. 23-27).

Written Opinion in PCTEP2013063946, Feb. 6, 2014 (NPL 2 pp. 28-32).

Written Opinion in PCTEP2013063947, Mar. 24, 2014 (NPL 2 pp. 33-41).

Written Opinion in PCTEP2013063948, Mar. 24, 2014 (NPL 2 pp. 42-48).

Written Opinion in PCTEP2013063949, Feb. 6, 2014 (NPL 2 pp. 49-53).

Written Opinion in PCTEP2013063950, Feb. 7, 2014 (NPL 2 pp. 54-58).

Written Opinion in PCTEP2014054859, Jul. 2, 2014 (NPL 2 pp. 59-63).

IPRP in PCTEP2014054859, Mar. 9, 2015 (NPL 3).

Copending application for Paton et al., U.S. Appl. No. 29/466,853, filed Sep. 12, 2013.

* cited by examiner

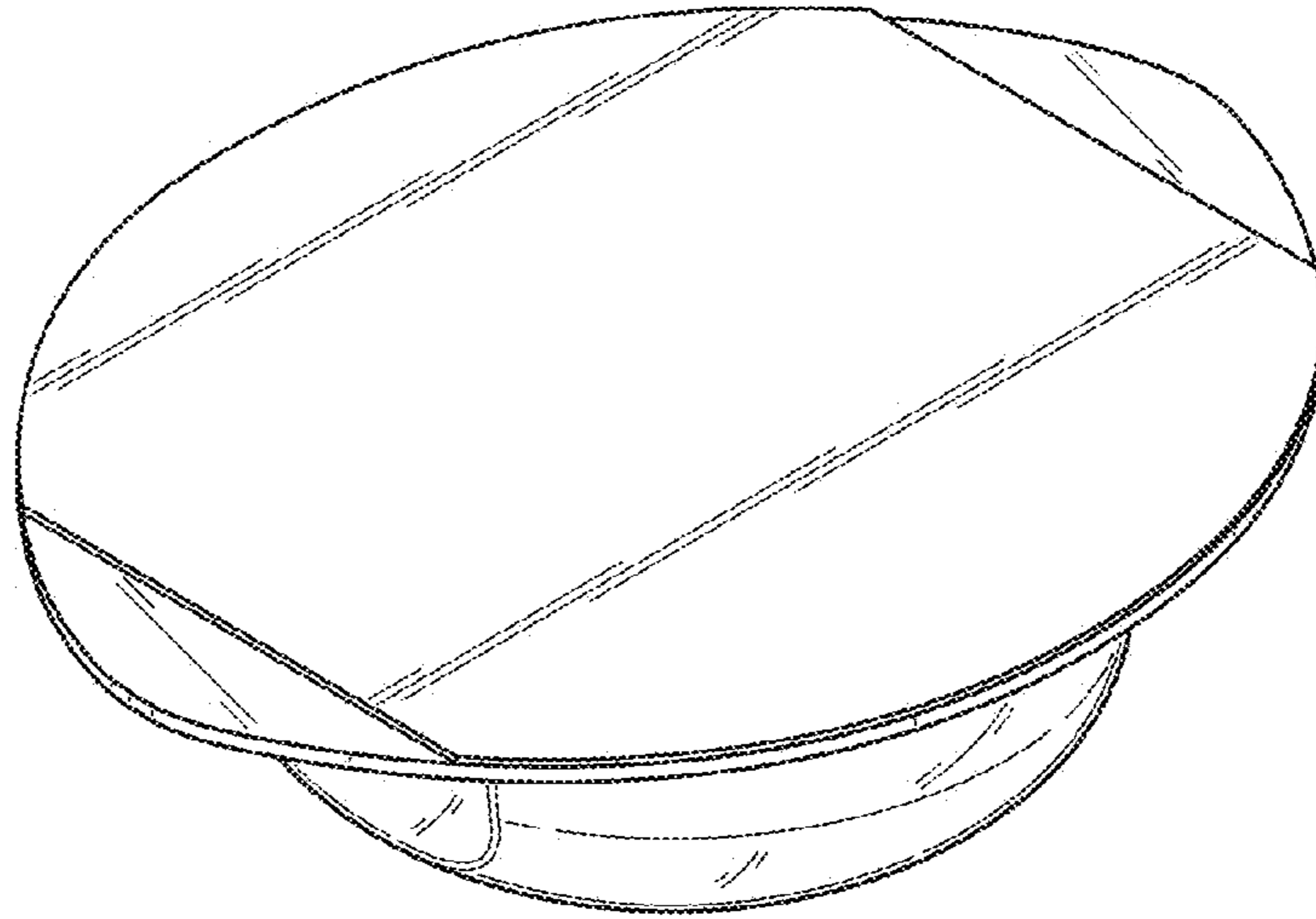


Fig. 1

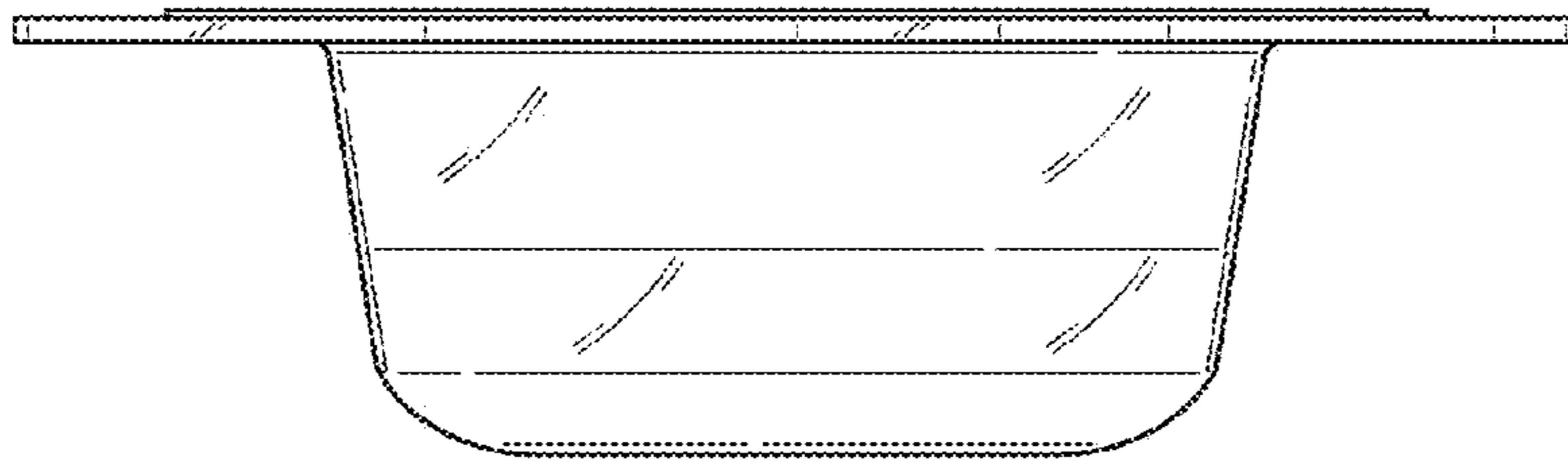


Fig. 2

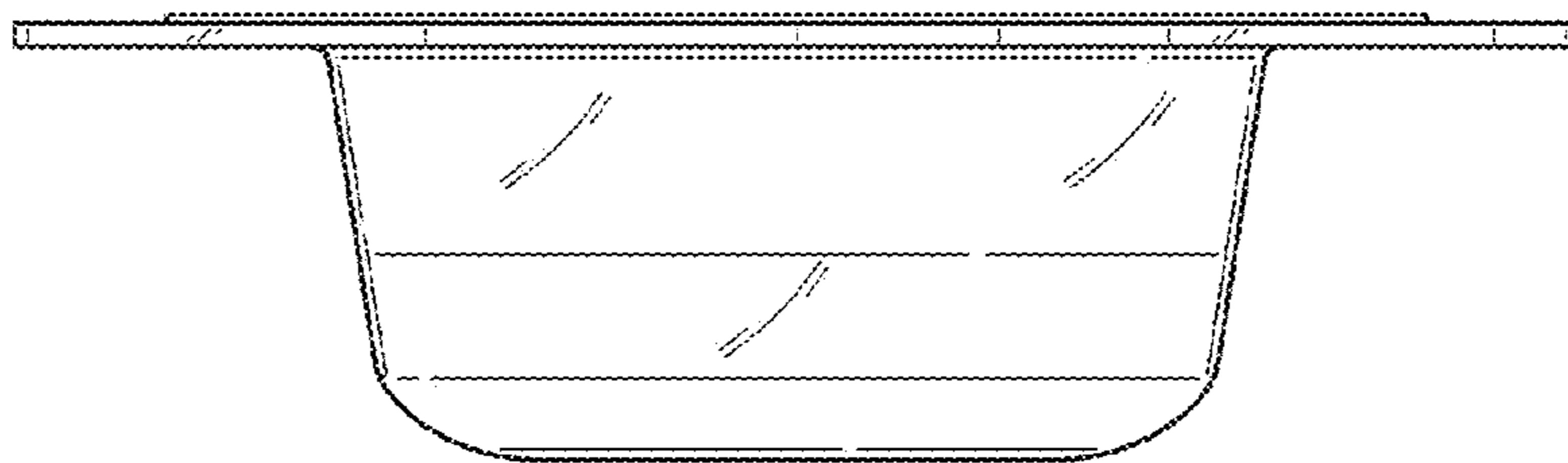


Fig. 3

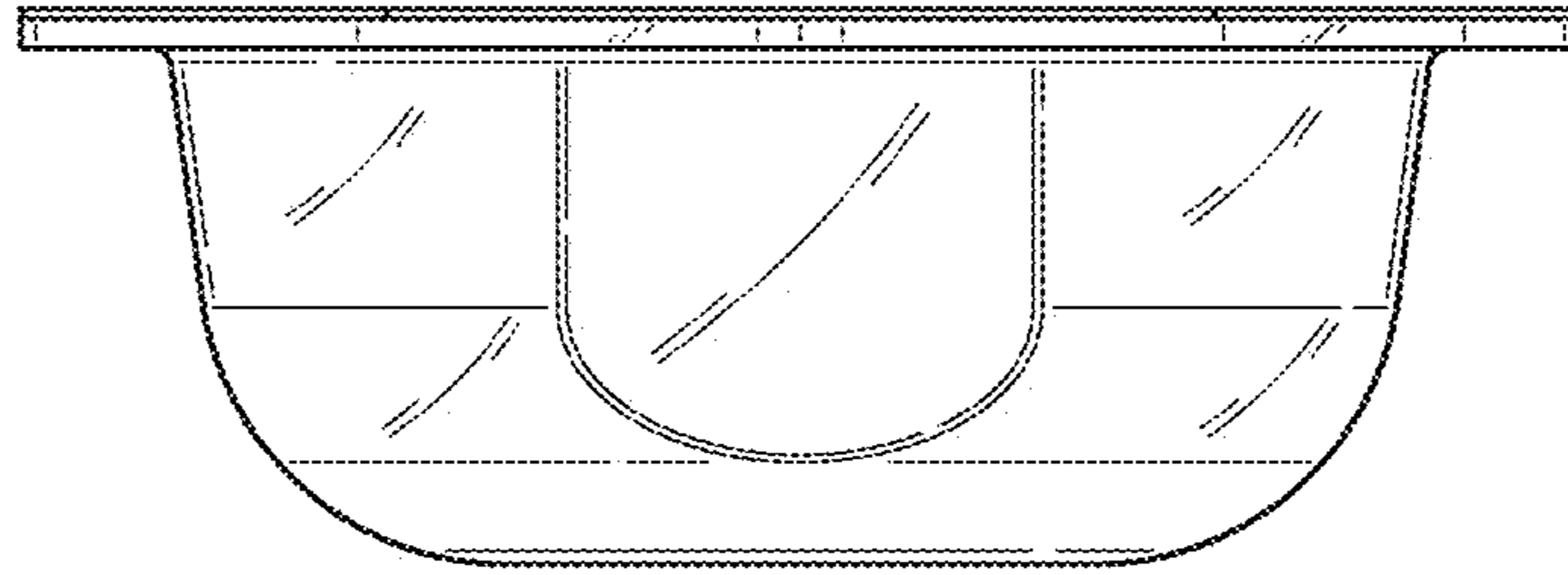


Fig. 4

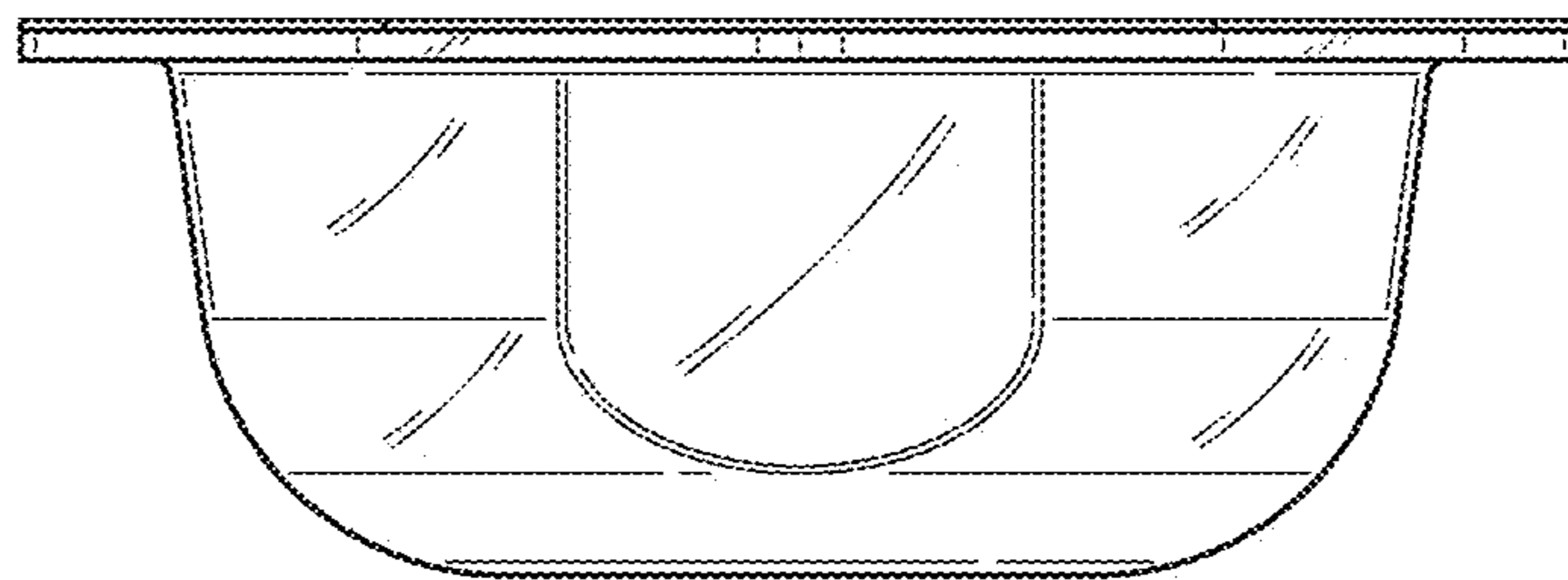


Fig. 5

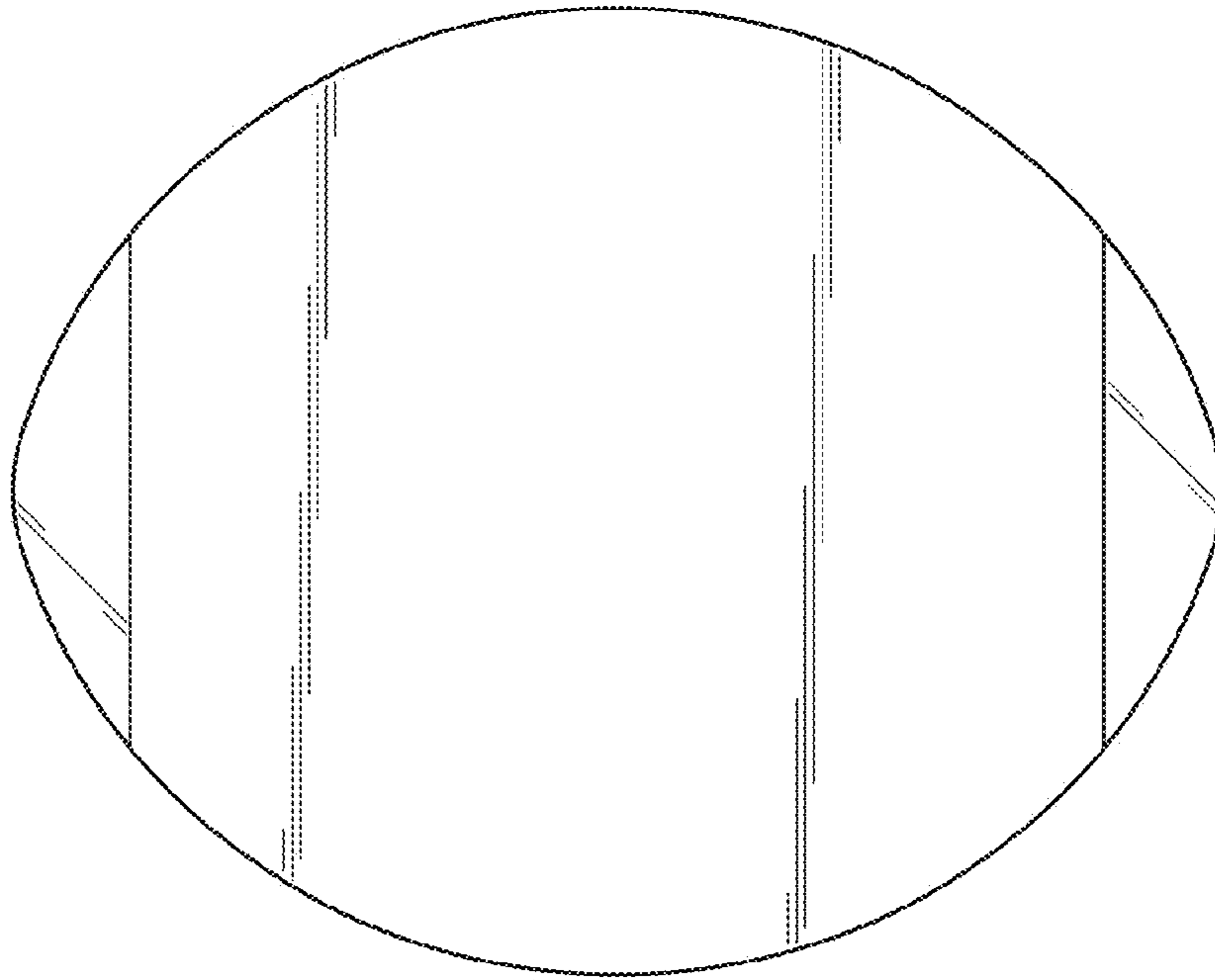


Fig. 6

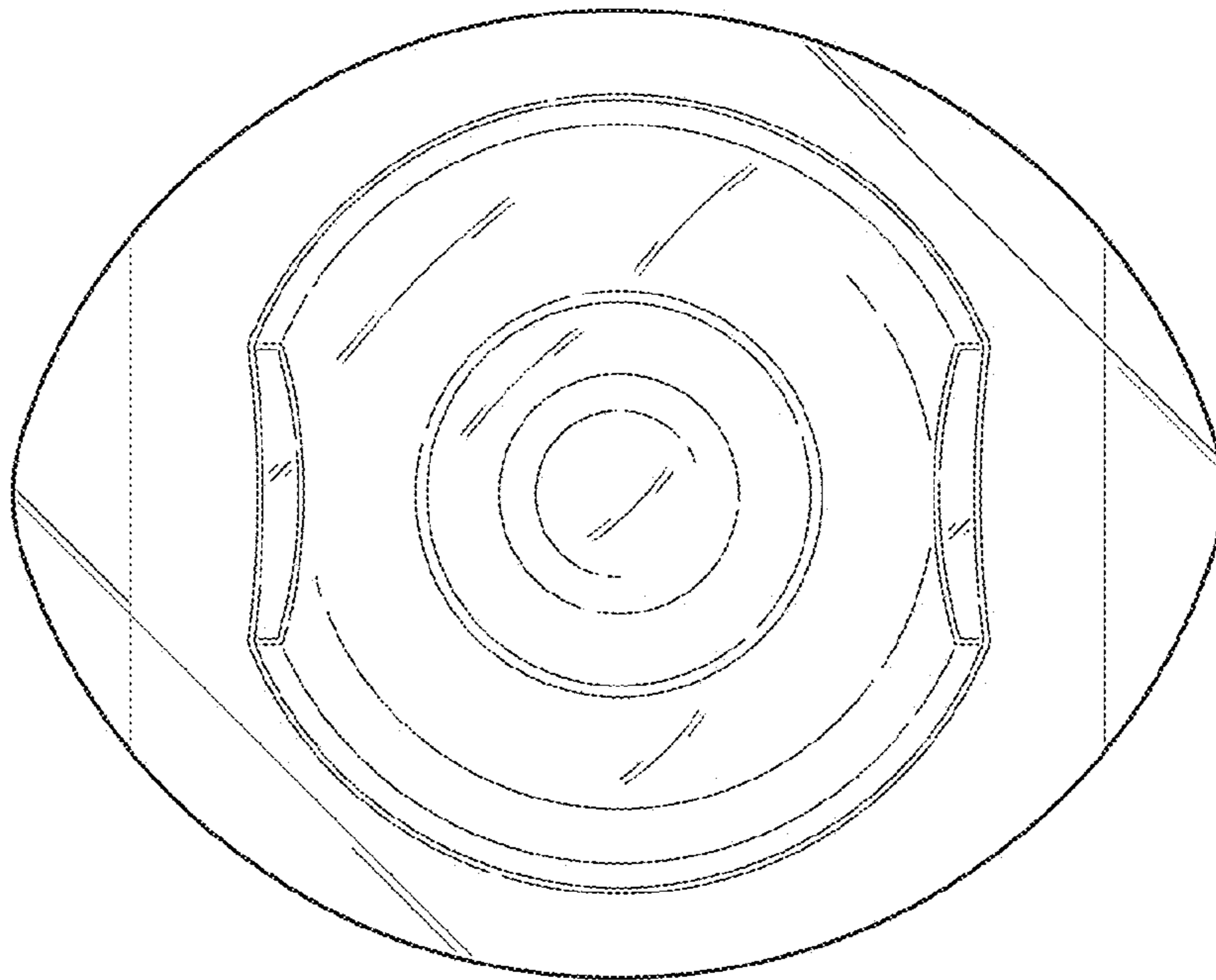


Fig. 7