



US00D753479S

(12) **United States Design Patent**
Shlaferman

(10) **Patent No.:** **US D753,479 S**

(45) **Date of Patent:** **** Apr. 12, 2016**

(54) **CLAMSHELL PACKAGE**

(71) Applicant: **Alex Shlaferman**, Brooklyn, NY (US)

(72) Inventor: **Alex Shlaferman**, Brooklyn, NY (US)

(**) Term: **14 Years**

(21) Appl. No.: **29/509,791**

(22) Filed: **Nov. 21, 2014**

(51) **LOC (10) Cl.** **09-03**

(52) **U.S. Cl.**
USPC **D9/415**

(58) **Field of Classification Search**
USPC D9/414-418, 457, 499, 431, 434, 520,
D9/707; D20/22; D19/10; D7/571;
206/823; 40/124.06, 300

CPC B65D 81/00; G09F 5/04; A01K 11/006
See application file for complete search history.

D661,585 S * 6/2012 Anderson D20/22
D662,418 S * 6/2012 Anderson D20/22
D716,646 S * 11/2014 Ng D9/415
D720,399 S * 12/2014 Ehrlich D19/10
2005/0235530 A1 * 10/2005 Boisvert G09F 5/04
40/124.06
2009/0077844 A1 * 3/2009 van Wijk A01K 11/006
40/300

* cited by examiner

Primary Examiner — Holly Baynham

Assistant Examiner — Rhea Shields

(74) *Attorney, Agent, or Firm* — Michael J. Feigin, Esq.;
Feigin & Fridman

(57) **CLAIM**

The ornamental design for the clamshell package, as shown and described.

DESCRIPTION

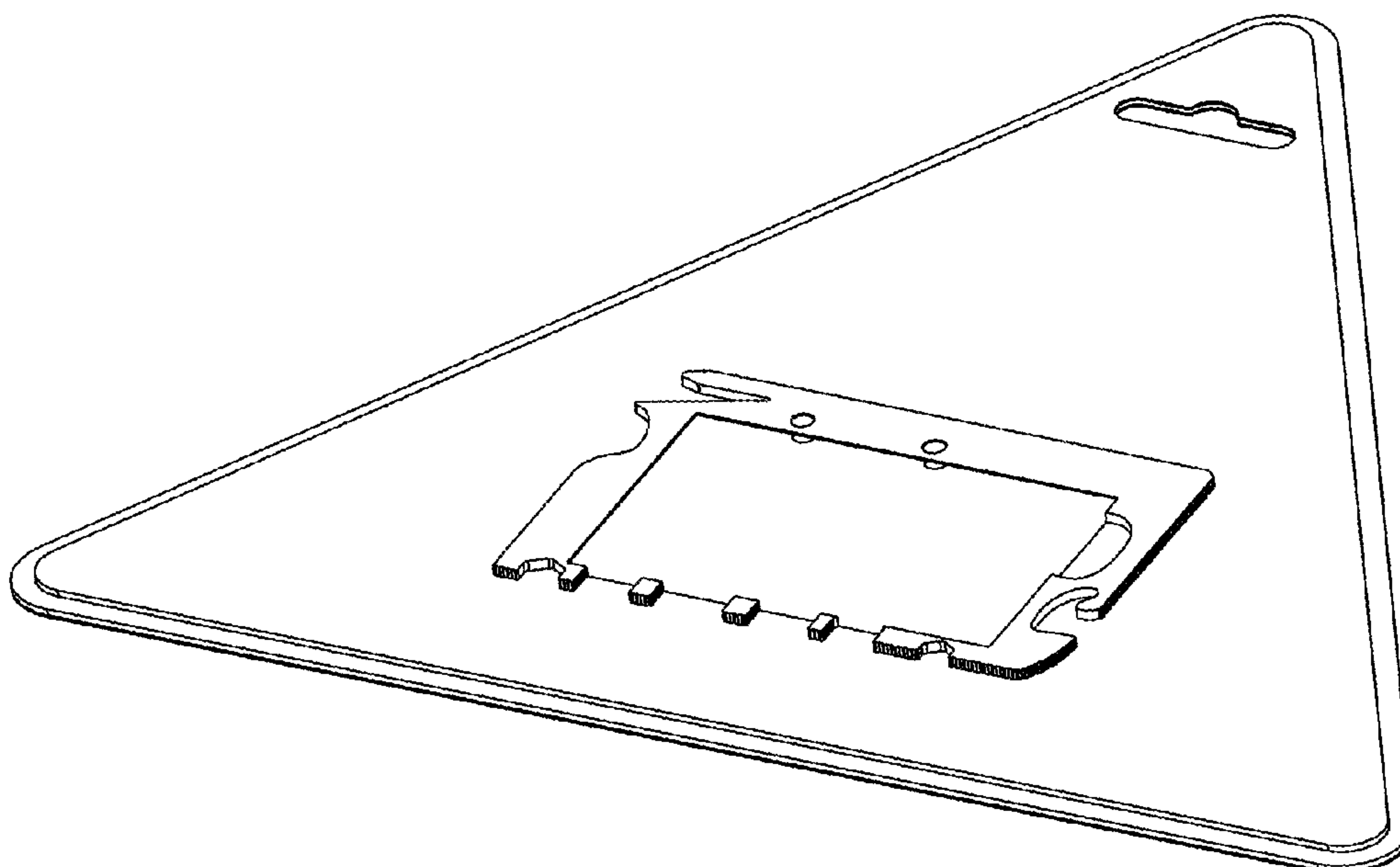
FIG. 1 is a front elevation of the clamshell package, showing my new design;
FIG. 2 is a rear elevation view thereof;
FIG. 3 is a right side elevation view;
FIG. 4 is a top plan view thereof;
FIG. 5 is a bottom plan view thereof;
FIG. 6 is a front perspective view thereof;
FIG. 7 is another front perspective view thereof;
FIG. 8 is a rear perspective view thereof; and,
FIG. 9 is another front perspective view.

1 Claim, 9 Drawing Sheets

(56) **References Cited**

U.S. PATENT DOCUMENTS

1,842,542 A * 1/1932 Dailey B65D 81/00
206/823
D394,003 S * 5/1998 Tate D9/415
D578,015 S * 10/2008 Friedland D9/707
D587,131 S * 2/2009 Friedland D9/707
D631,751 S * 2/2011 Fox D9/520
D640,327 S * 6/2011 Gorzo D20/22
D641,617 S * 7/2011 Steenberg D9/431
D649,043 S * 11/2011 Anderson D9/434
D653,502 S * 2/2012 Mitchell D7/571
D658,060 S * 4/2012 Anderson D20/22



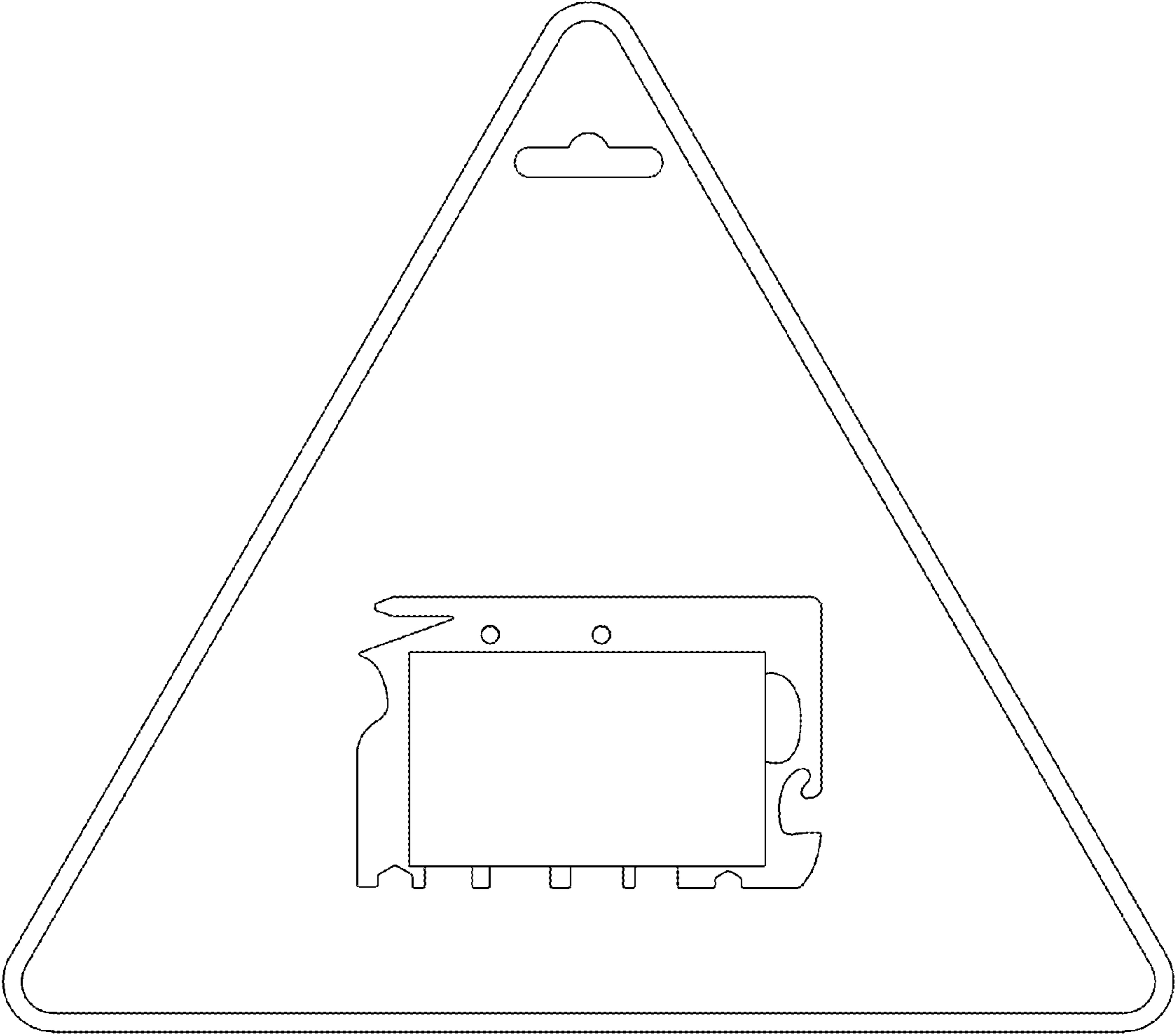


Figure 1

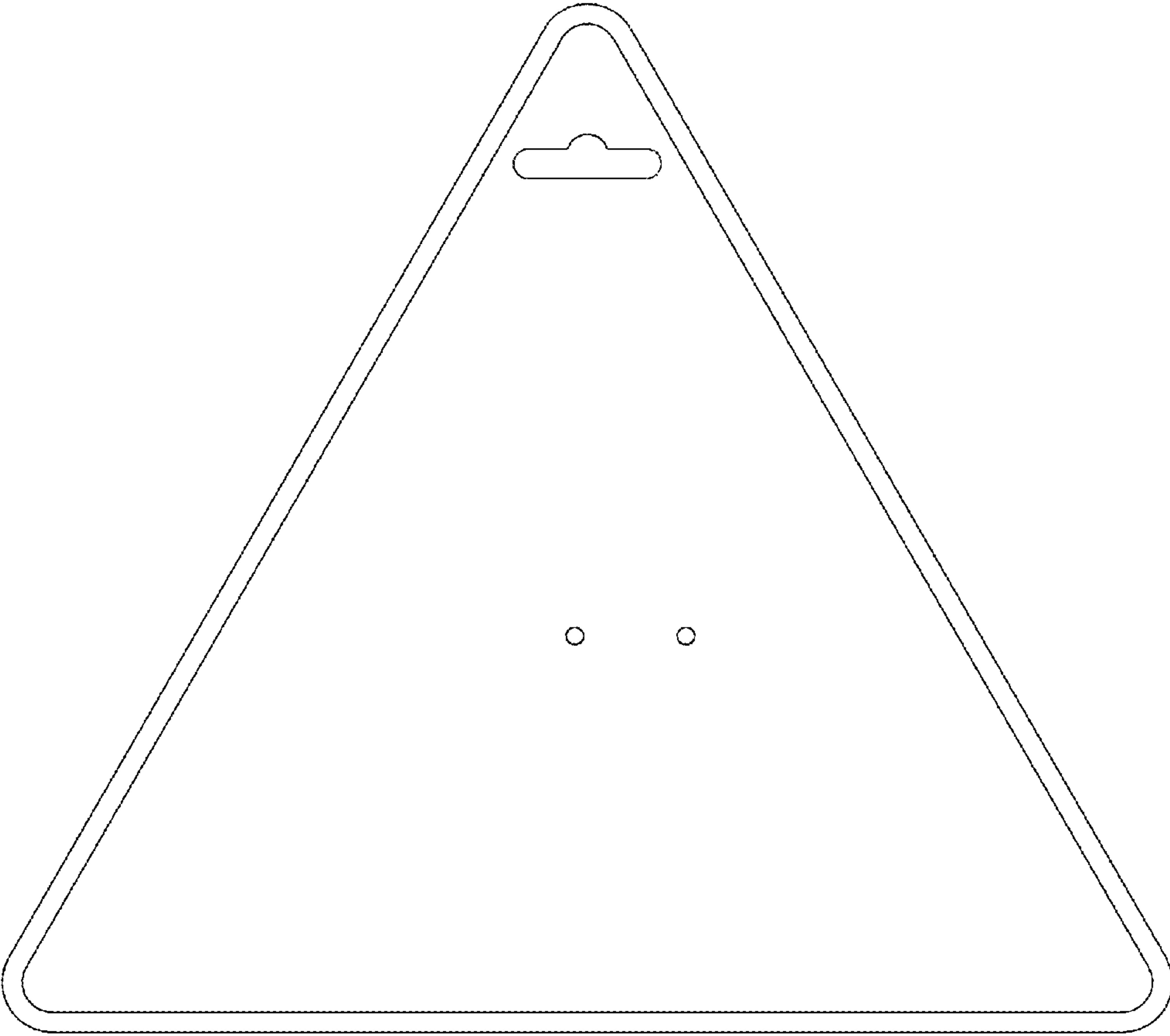


Figure 2



Figure 3



Figure 4

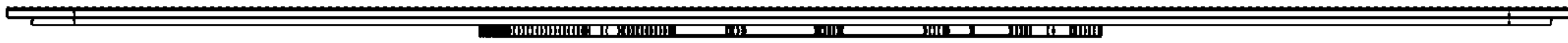


Figure 5

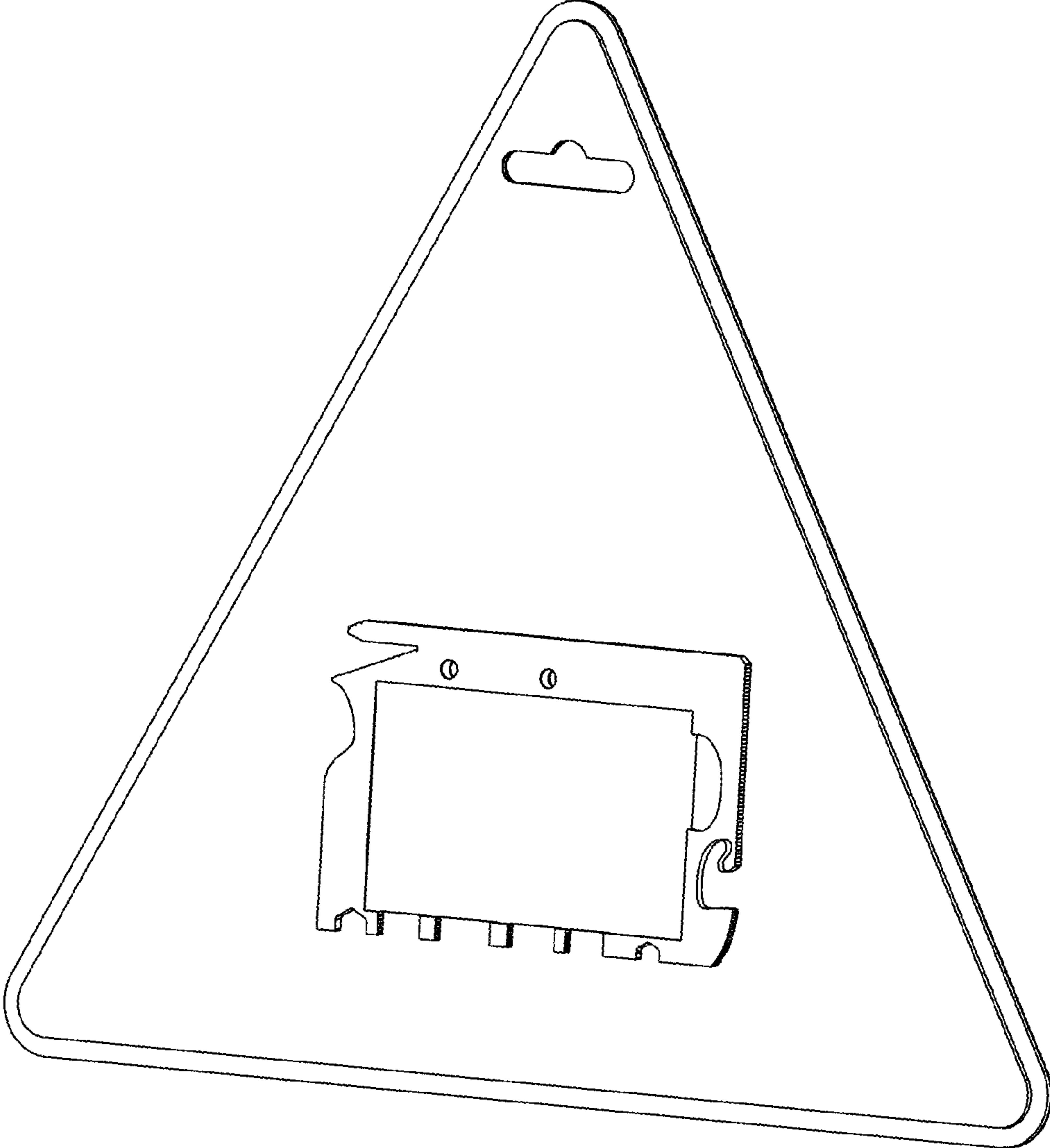


Figure 6

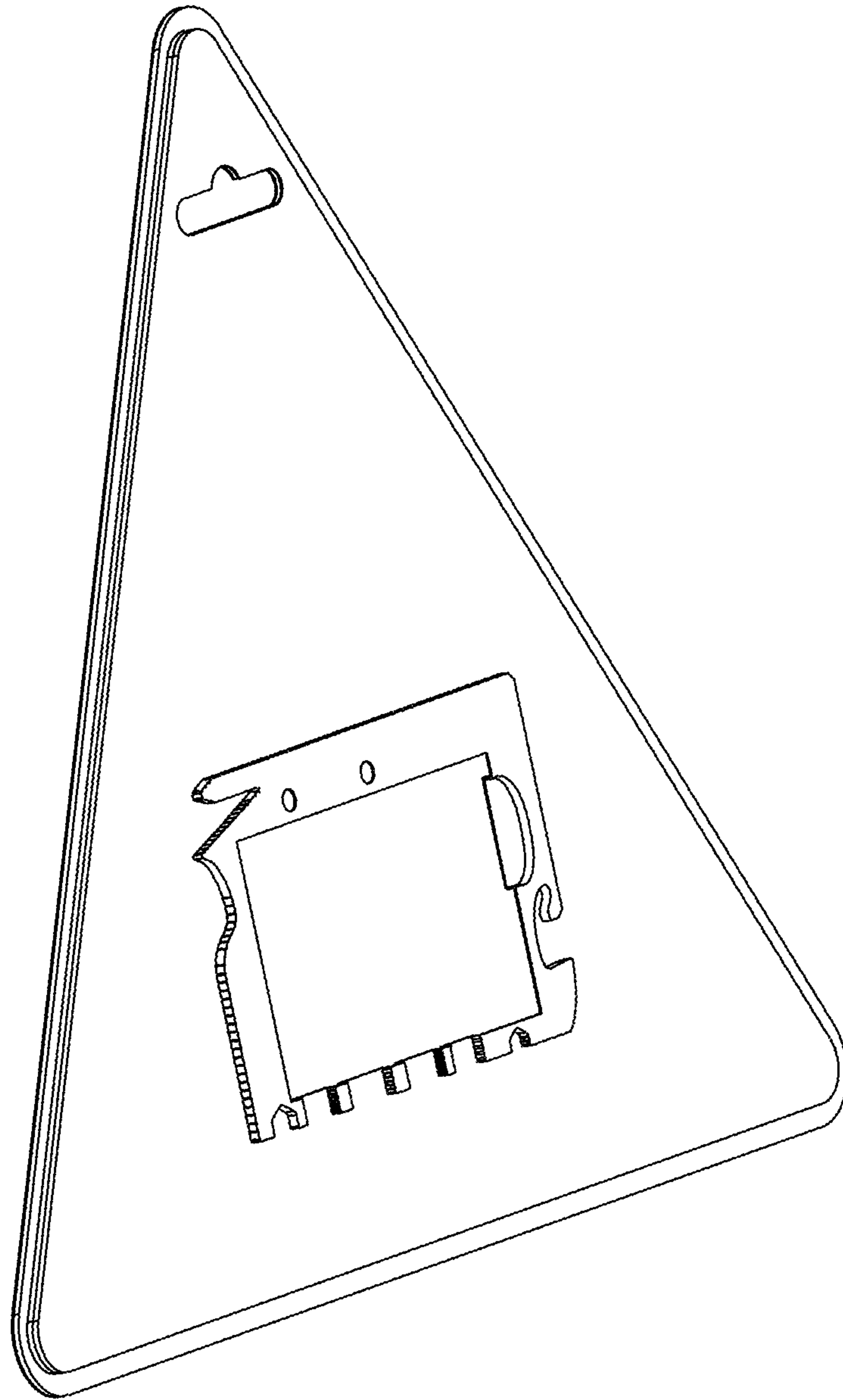


Figure 7

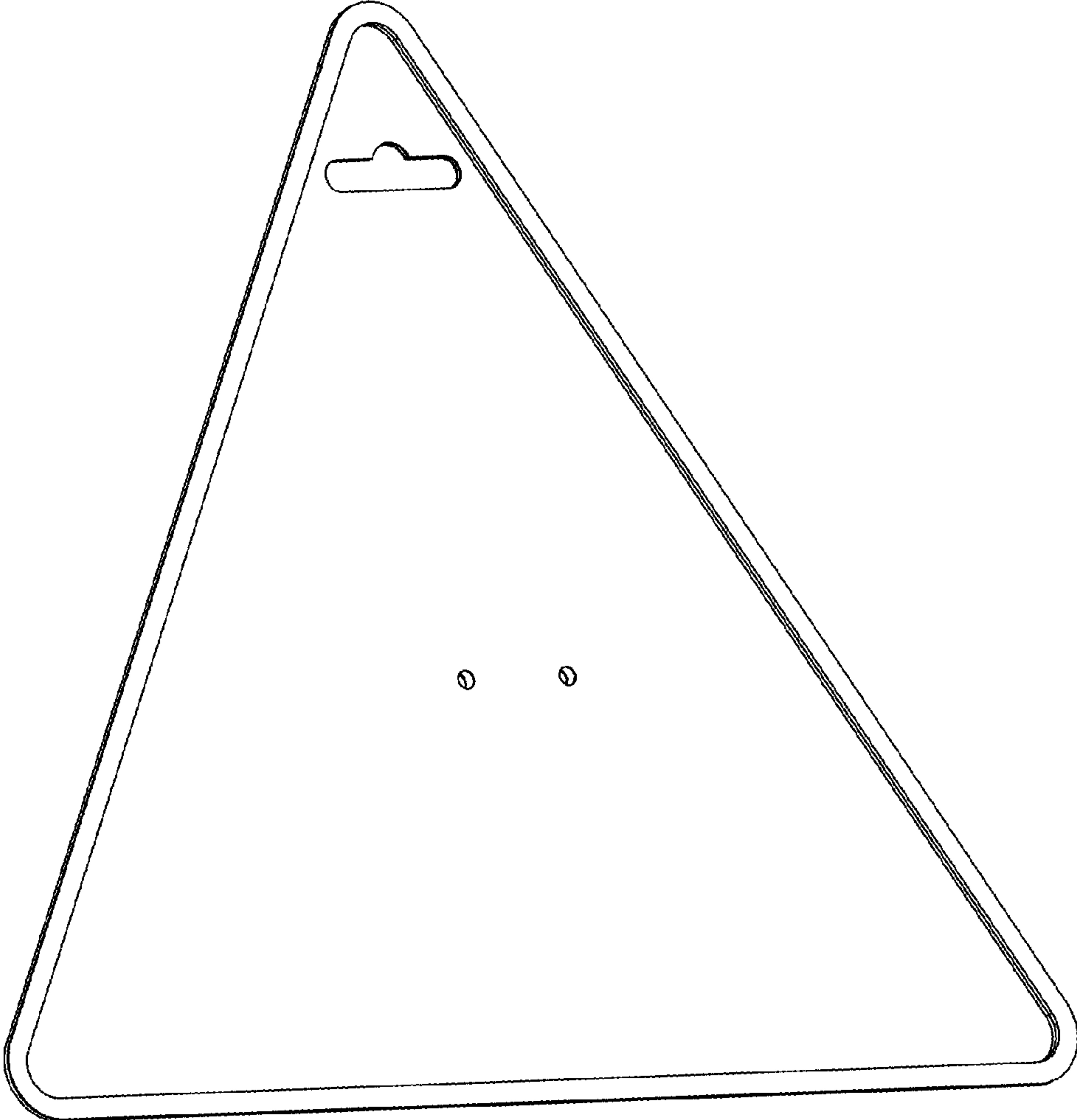


Figure 8

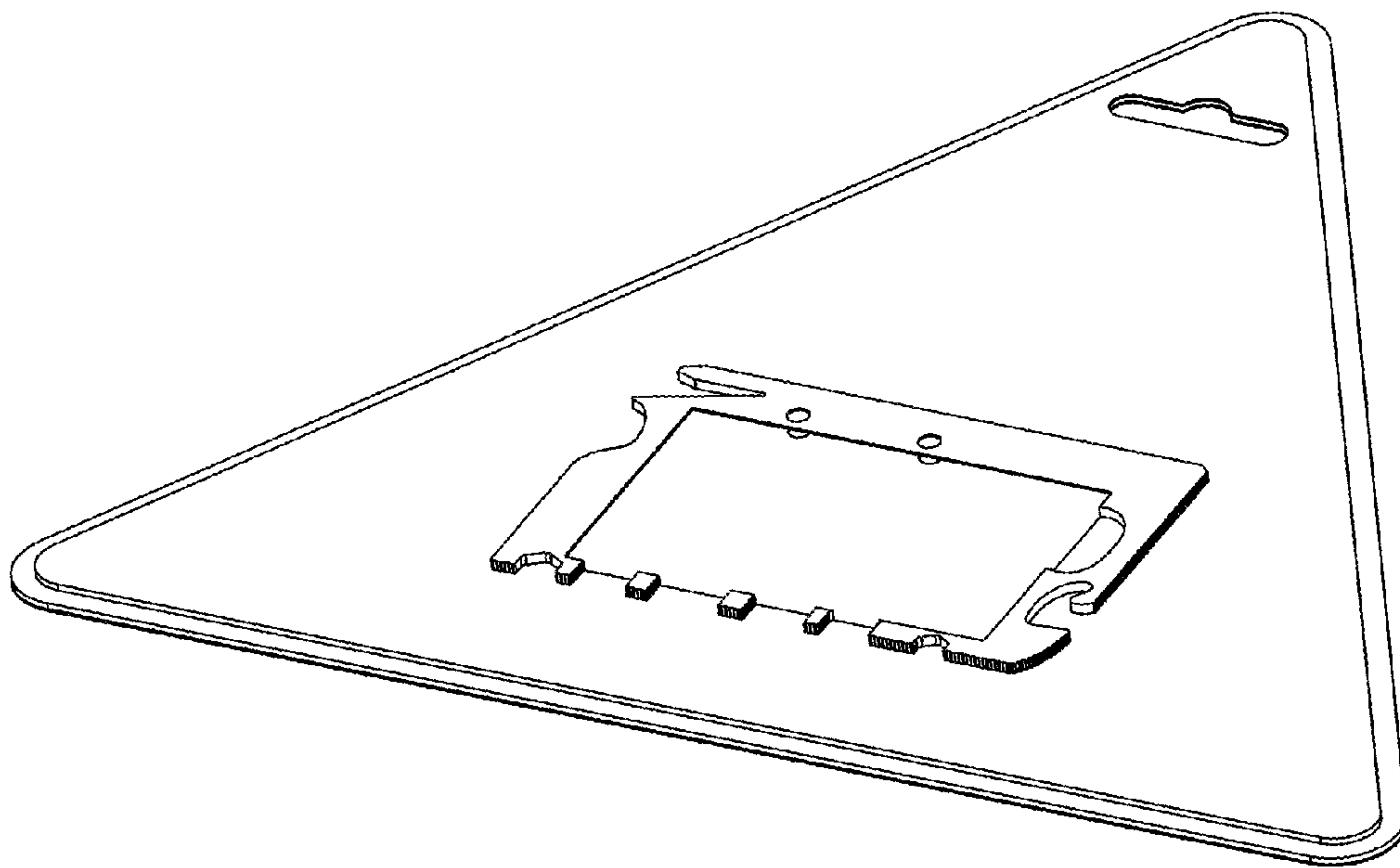


Figure 9