



US00D753478S

(12) **United States Design Patent**  
**Hayman et al.**

(10) **Patent No.:** **US D753,478 S**

(45) **Date of Patent:** **\*\* \*Apr. 12, 2016**

(54) **CLAMP**

(71) Applicant: **Zuma Dental, LLC**, Los Angeles, CA (US)

(72) Inventors: **Robert Hayman**, Los Angeles, CA (US); **Ekram Khan**, League City, TX (US); **Michael Paloian**, Cold Spring Harbor, NY (US); **Anthony Orchard**, Wantagh, NY (US)

(73) Assignee: **Zuma Dental, LLC**, Los Angeles, CA (US)

(\*) Notice: This patent is subject to a terminal disclaimer.

(\*\*) Term: **14 Years**

(21) Appl. No.: **29/449,918**

(22) Filed: **Mar. 15, 2013**

(51) **LOC (10) Cl.** ..... **08-08**

(52) **U.S. Cl.**  
USPC ..... **D8/396**

(58) **Field of Classification Search**  
USPC ..... D8/396; D24/152, 158-161, 176, 185, D24/186, 177; 24/274 R, 279, 276; 285/252, 285/253, 410, 364, 407; 378/147-153  
See application file for complete search history.

(56) **References Cited**

U.S. PATENT DOCUMENTS

2,614,780	A *	10/1952	Buff	.....	248/177.1
3,604,371	A *	9/1971	Cavalucci	.....	108/156
D508,595	S *	8/2005	Reiter	.....	D34/6
D542,827	S *	5/2007	Ebihara	.....	D16/221
D594,737	S *	6/2009	Kelly et al.	.....	D8/354
7,819,084	B2 *	10/2010	Reusche et al.	.....	119/69.5
D670,807	S *	11/2012	Fuerst	.....	D24/143

\* cited by examiner

*Primary Examiner* — John Windmuller

(74) *Attorney, Agent, or Firm* — Quan & Associates; Nancy N. Quan; Christopher N. Quan

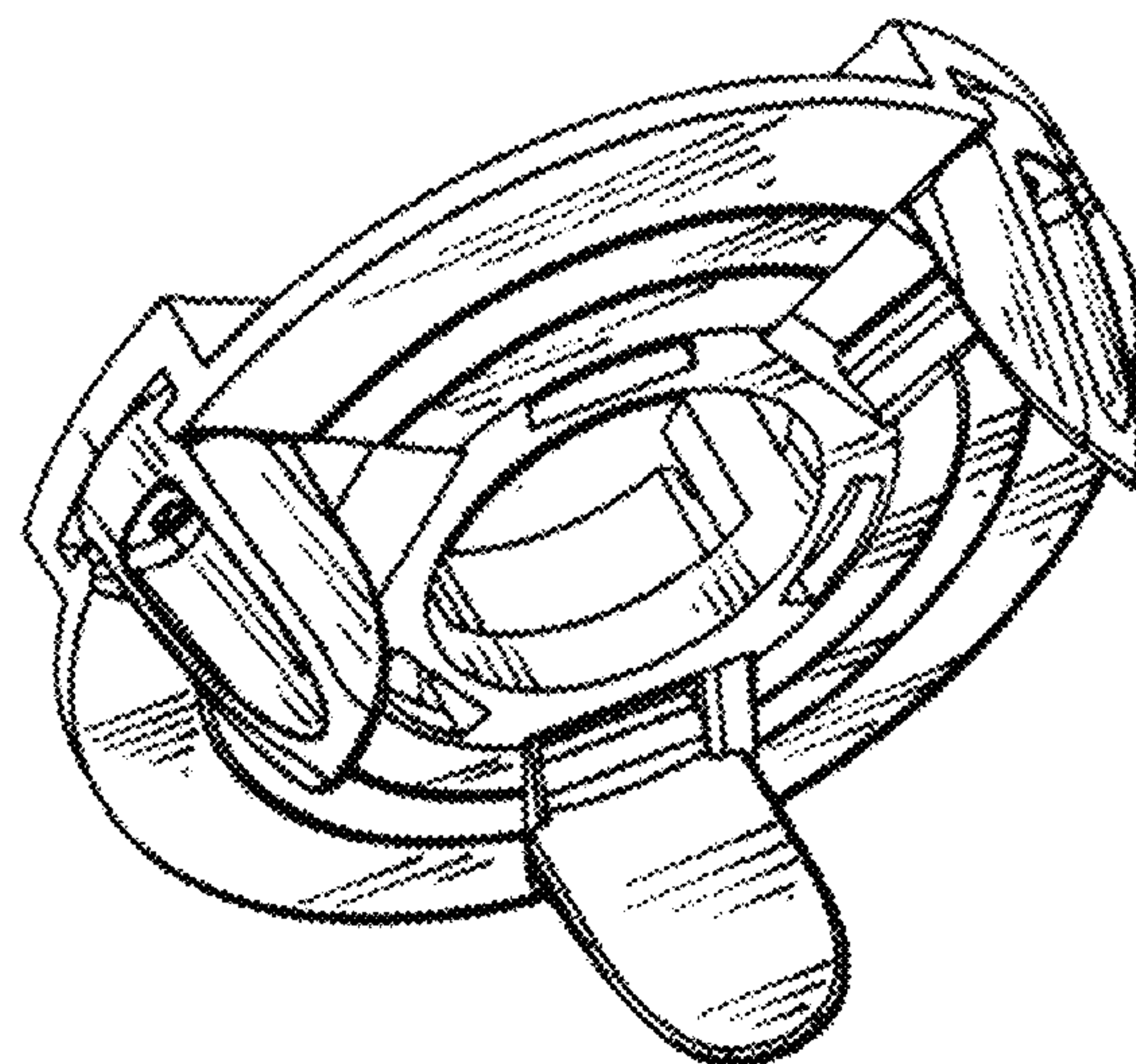
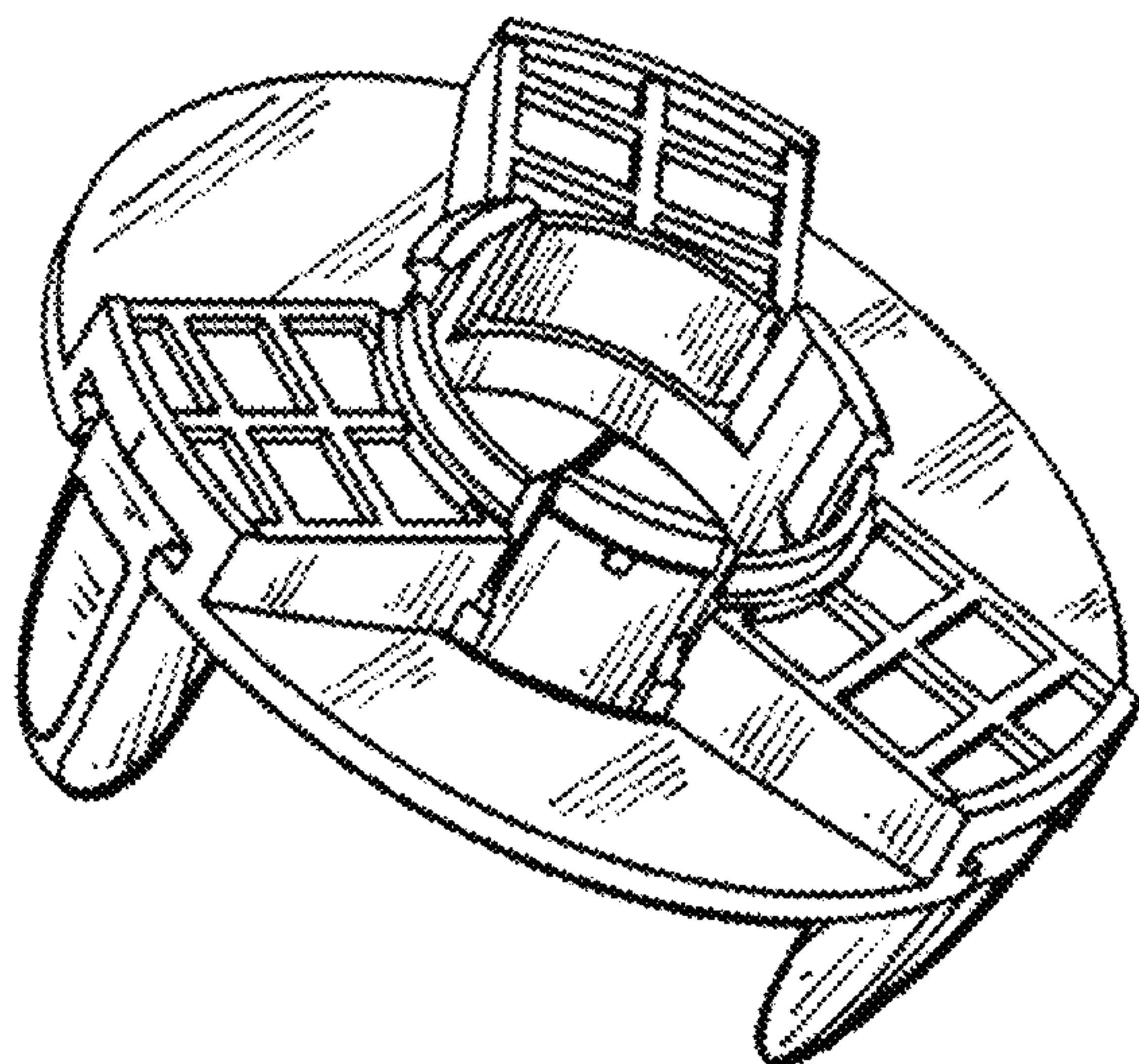
(57) **CLAIM**

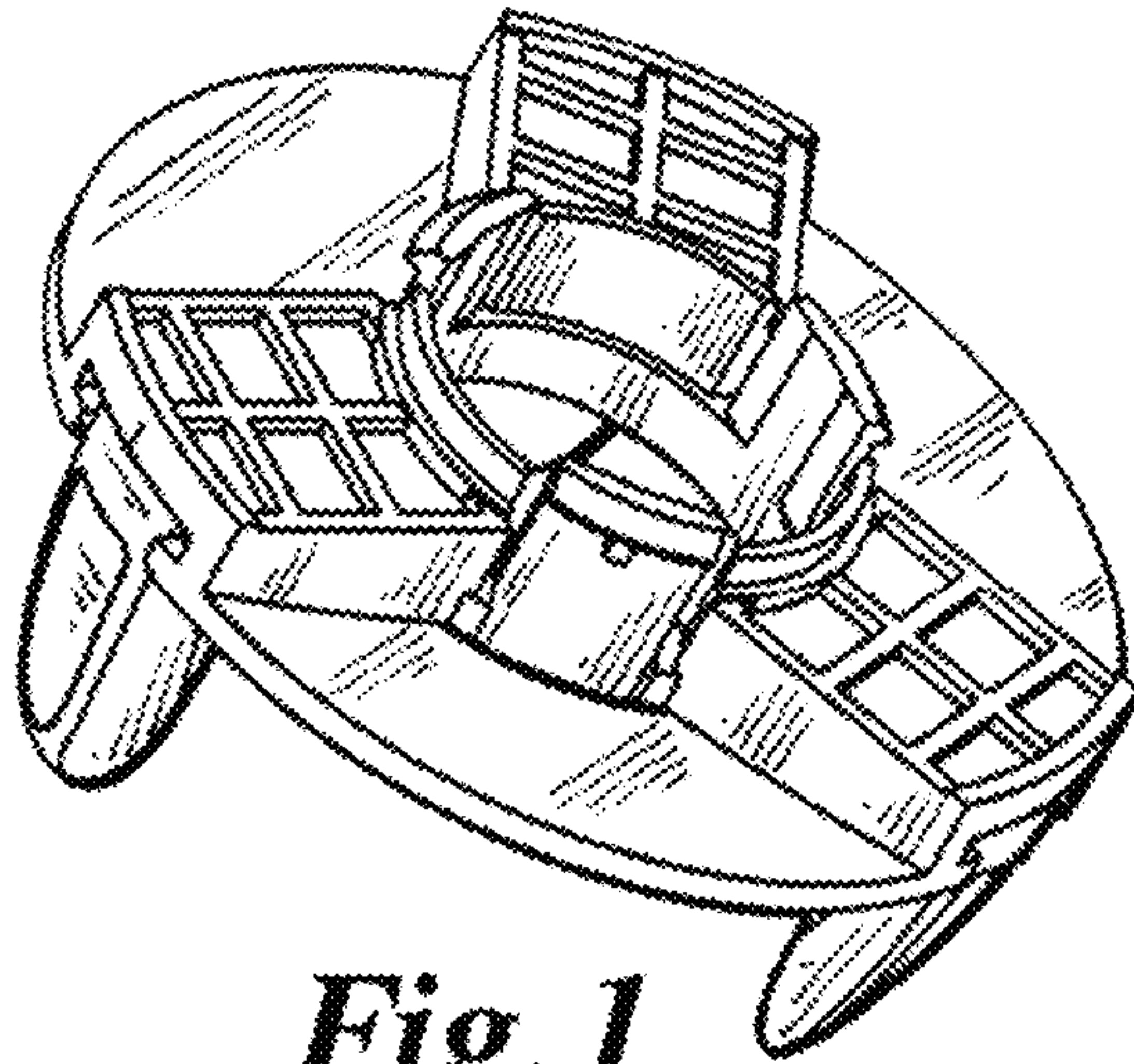
The ornamental design for a clamp, as shown and described.

**DESCRIPTION**

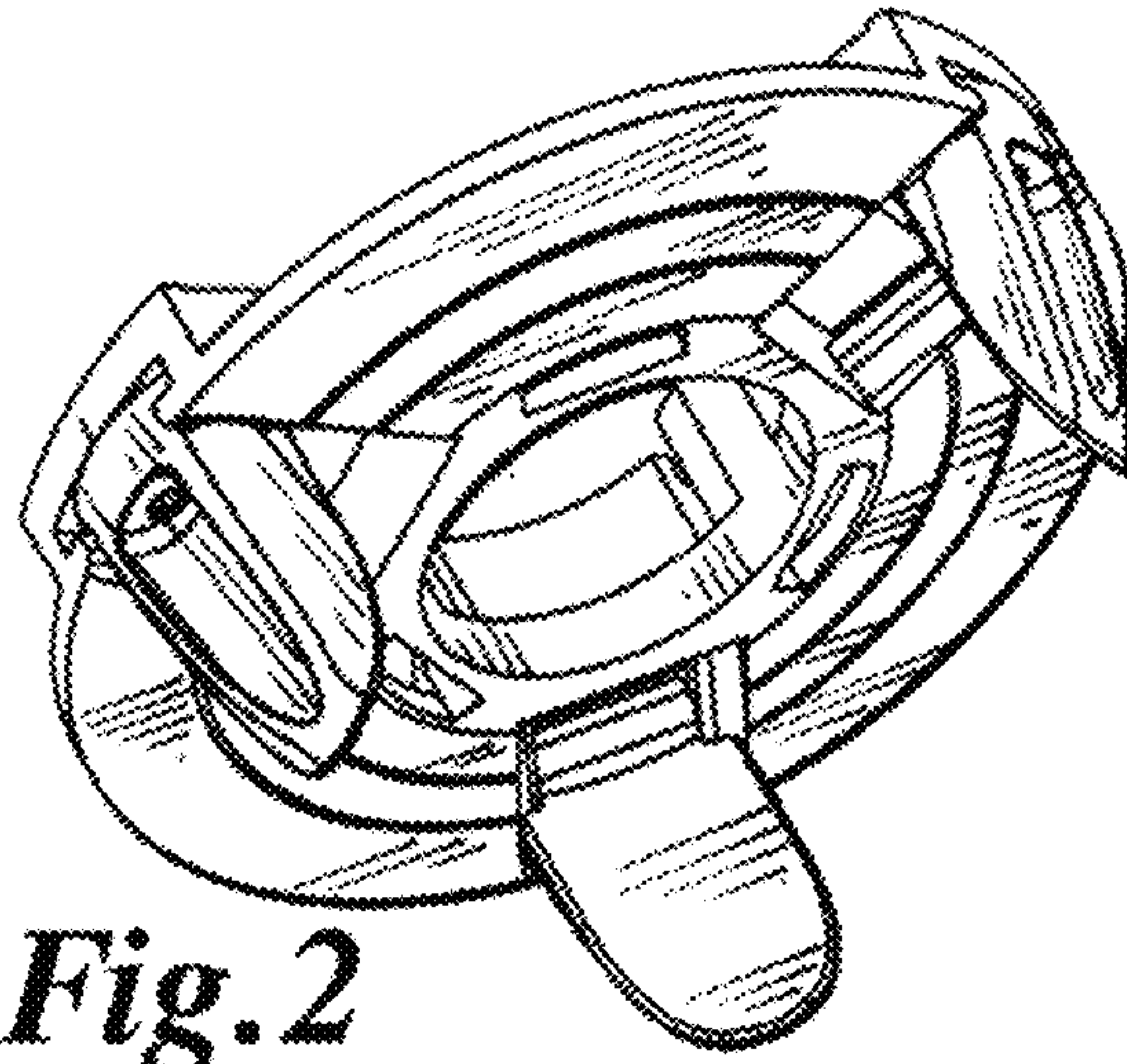
FIG. 1 is a front and side perspective view of a clamp embodying our new design;  
FIG. 2 is a back and side perspective view thereof;  
FIG. 3 is back view thereof;  
FIG. 4 is a right side view thereof;  
FIG. 5 is a top view thereof;  
FIG. 6 is a left side view thereof;  
FIG. 7 is a bottom view; and,  
FIG. 8 is a front view thereof.

**1 Claim, 2 Drawing Sheets**

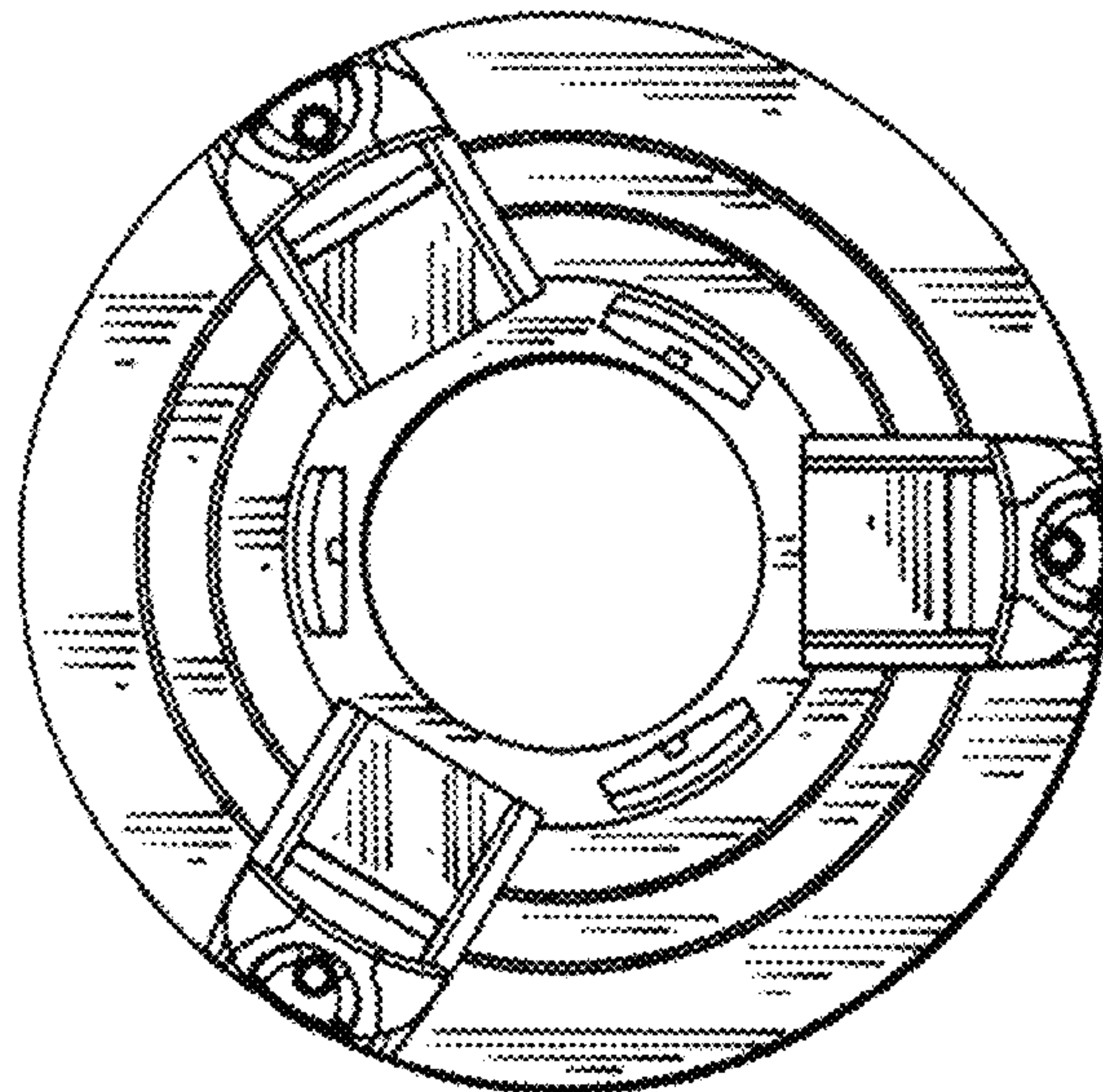




*Fig. 1*

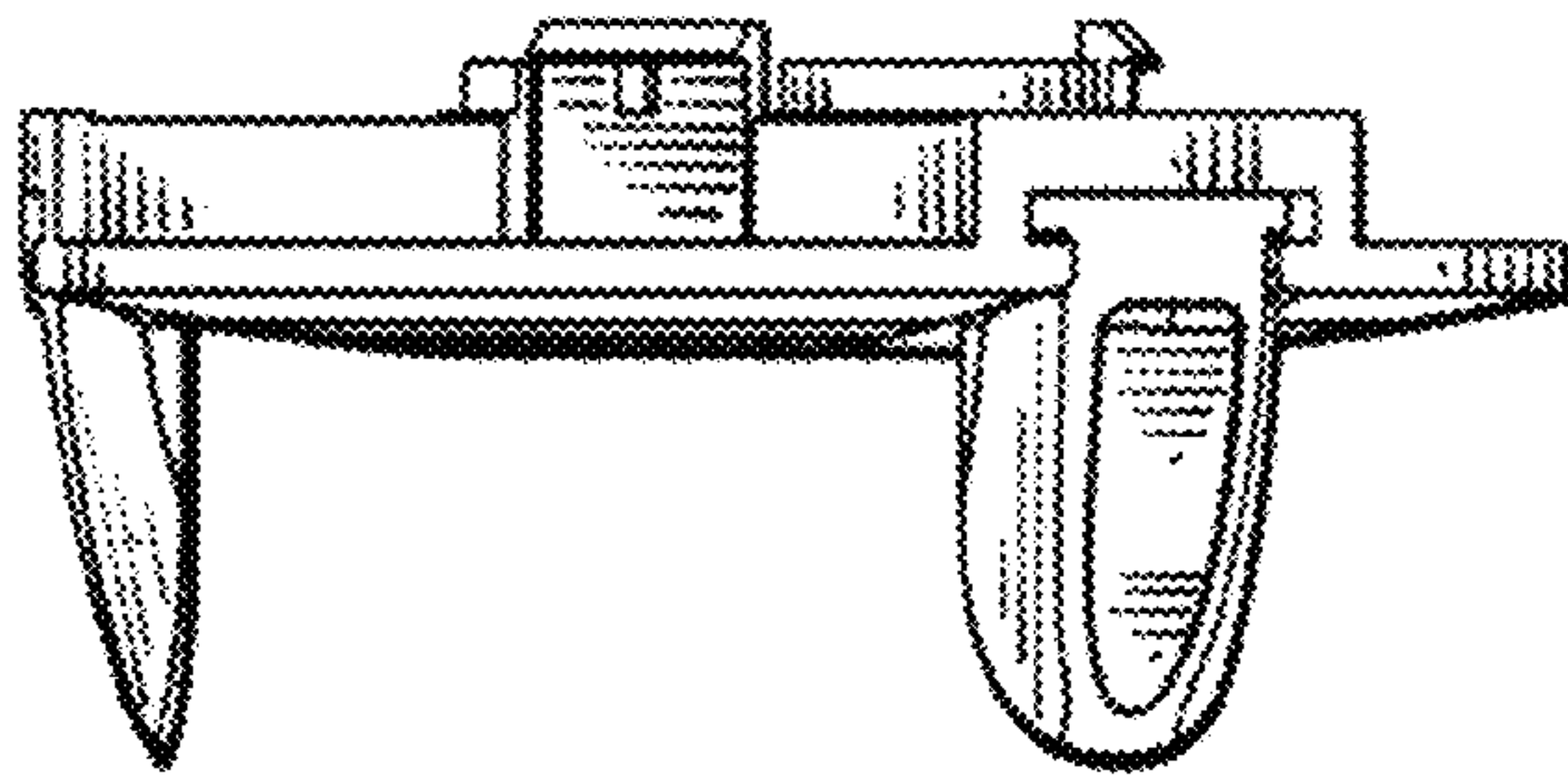


*Fig. 2*

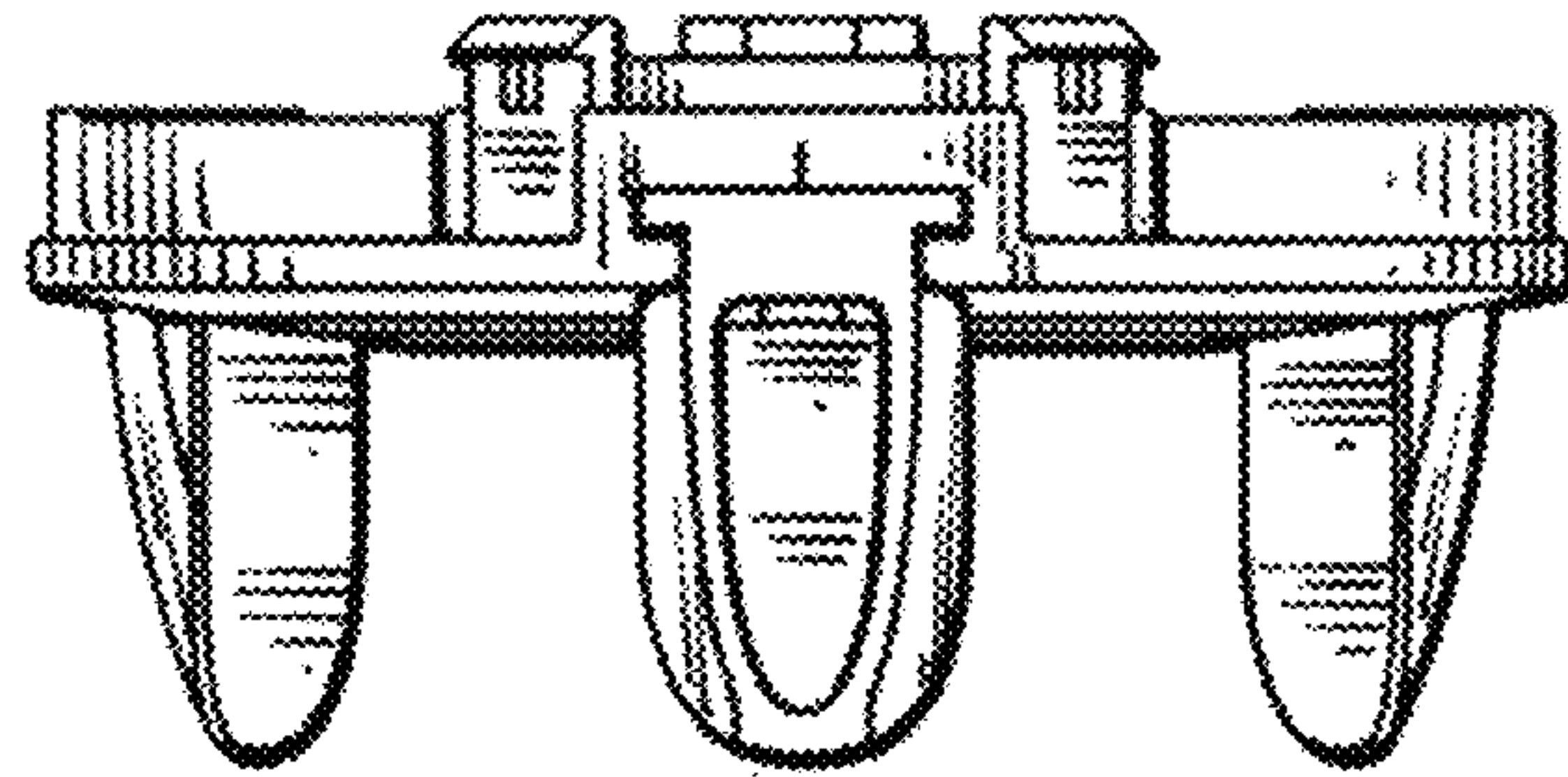


*Fig. 3*

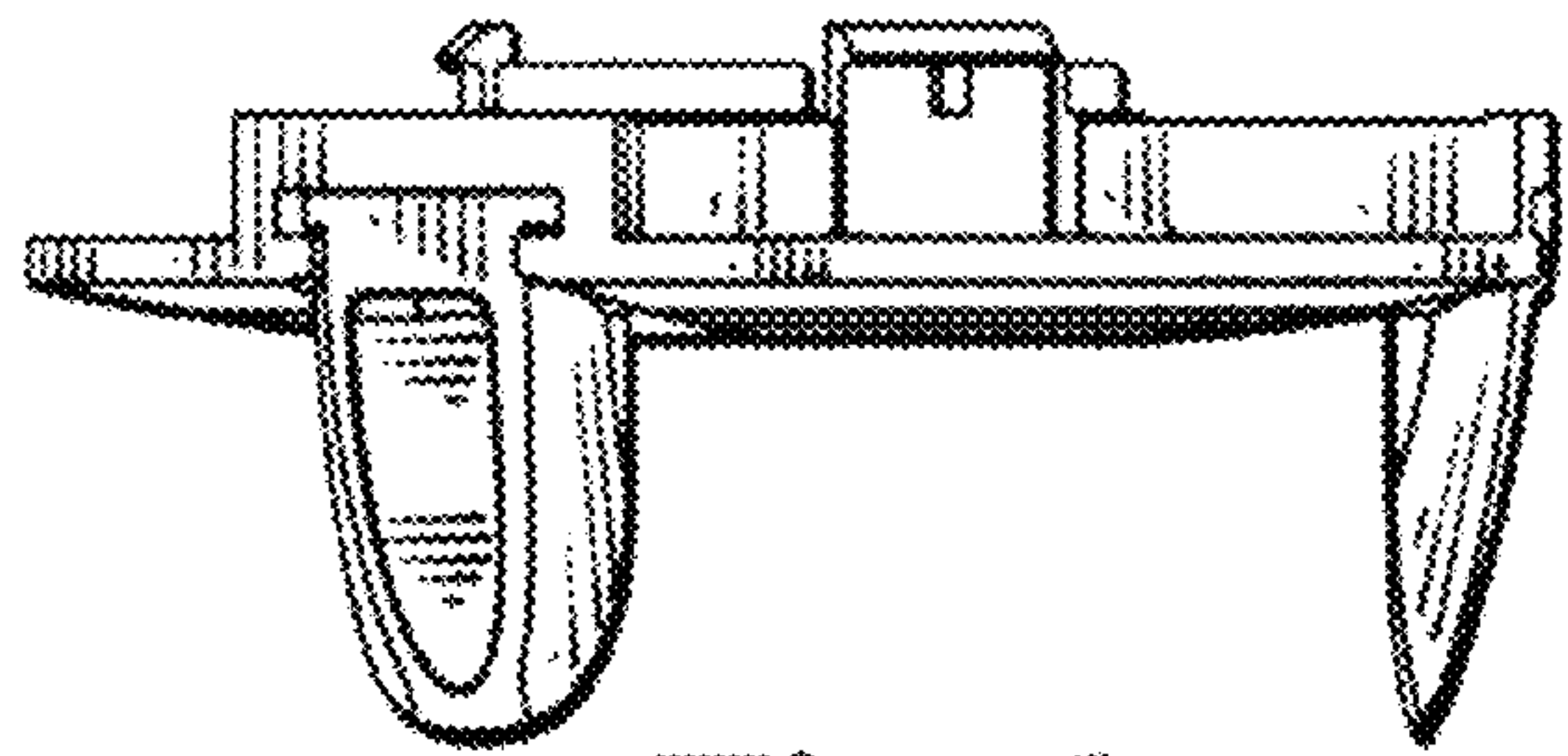




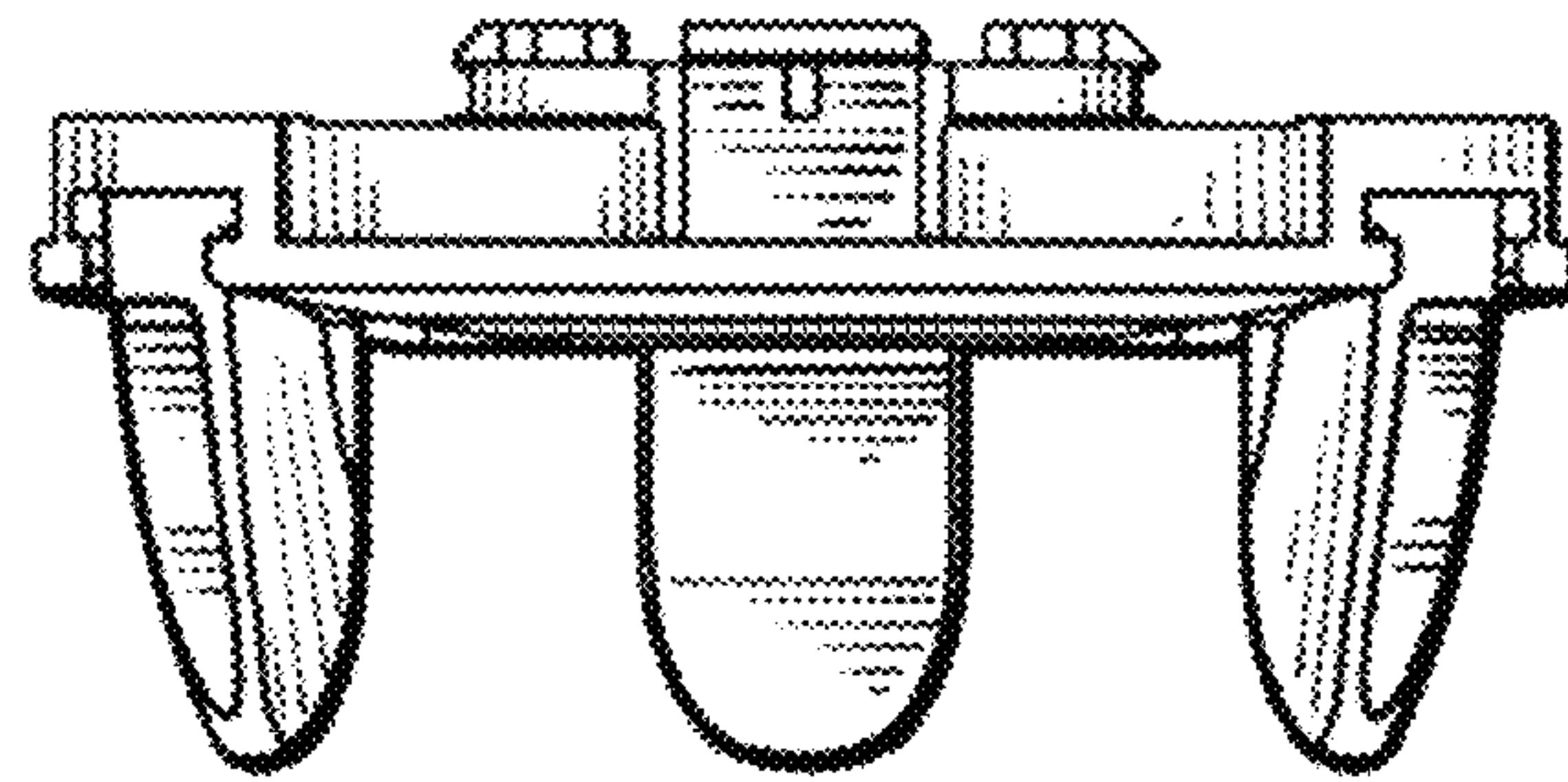
*Fig. 4*



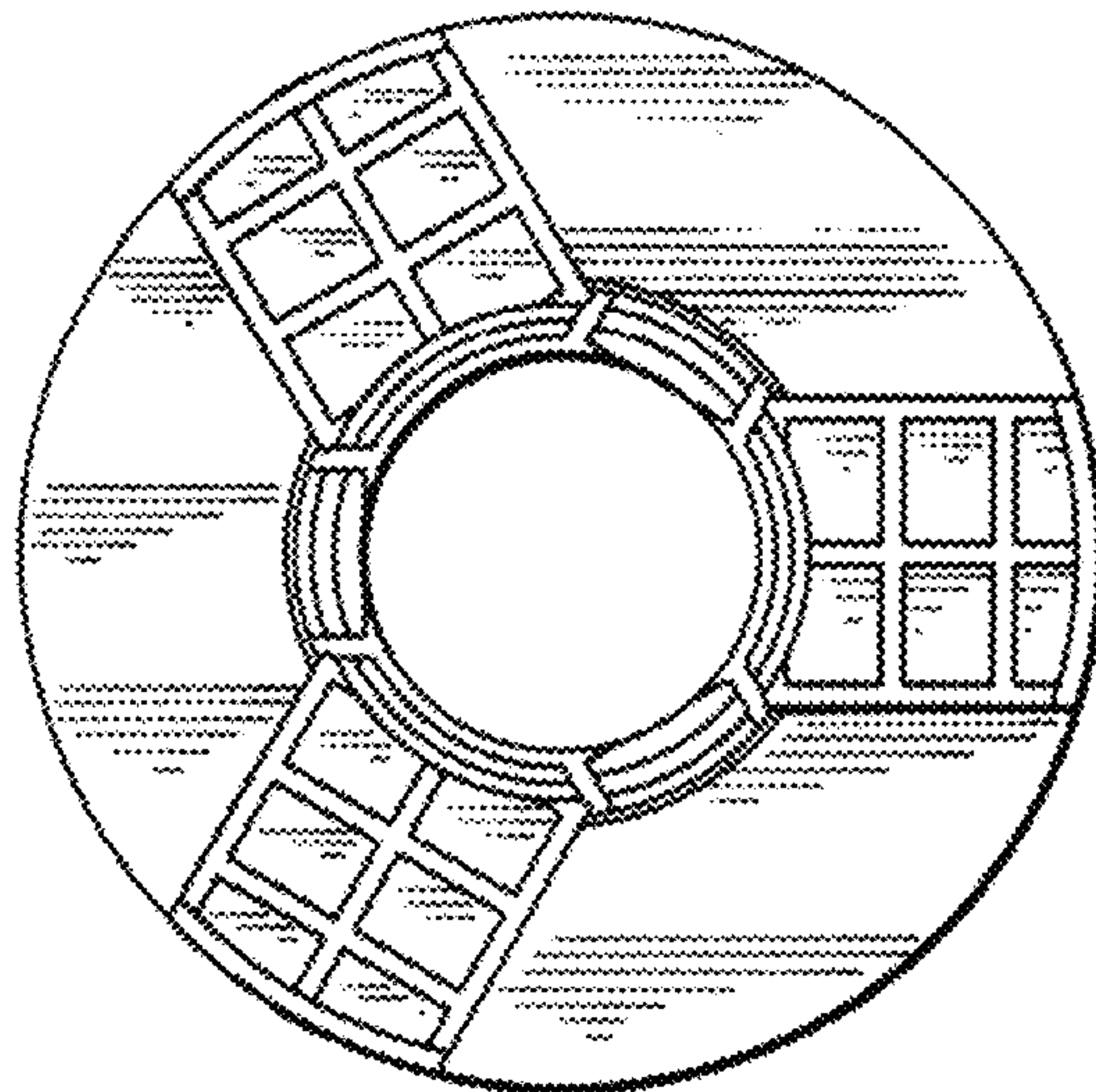
*Fig. 5*



*Fig. 6*



*Fig. 7*



*Fig. 8*