



US00D753477S

(12) **United States Design Patent**
Jackson

(10) **Patent No.:** **US D753,477 S**
(45) **Date of Patent:** **** Apr. 12, 2016**

(54) **DUAL THREADED CHUCKING SCREW**

2013/0280965 A1* 10/2013 Kojyo 439/722
2014/0097581 A1* 4/2014 Jackson 279/124
2014/0290403 A1* 10/2014 Wu 74/89.35

(71) Applicant: **Adjustable Clamp Company**, Chicago, IL (US)

FOREIGN PATENT DOCUMENTS

(72) Inventor: **Craig Jackson**, Lexington, KY (US)

CH 610990 A5 * 5/1979 F16B 35/04
DE 4405240 A1 * 8/1995 F16B 35/00
DE 102007019061 A1 * 11/2008 F16B 5/02
DE 102009042058 A1 * 6/2010 F16B 35/06
FR 1019411 A * 1/1953 B23B 31/1122

(73) Assignee: **Adjustable Clamp Company**, Chicago, IL (US)

(**) Term: **14 Years**

OTHER PUBLICATIONS

(21) Appl. No.: **29/476,914**

Buy Easy Chuck Chucking Screw online at Rutlands.co.uk, image post date Unknown, site visted on Apr. 28, 2015 (online), <<http://www.rutlands.co.uk/sp+woodworking-whats-hot-special-offers-woodworking-special-offers-easy-chuck-chucking-screw+dk8030>>.*

(22) Filed: **Dec. 18, 2013**

Easy Wood Tools Easy Chucking Screw, image post date Feb. 11, 2014, site visted on Apr. 28, 2015 (online), <<http://www.woodworkersjournal.com/easy-wood-tools-easy-chucking-screw/>>.*

(51) **LOC (10) Cl.** **08-08**

(52) **U.S. Cl.**
USPC **D8/387**

(58) **Field of Classification Search**
USPC D8/349, 382, 387, 499
CPC .. F16B 23/00; F16B 23/0007; F16B 23/0076;
F16B 33/00; F16B 33/002; F16B 33/02;
F16B 39/00; F16B 35/00; F16B 35/005;
F16B 35/06; F16B 5/0275; B23B 31/023;
B23B 31/006; B23B 31/102; B23B 31/1075;
B23B 31/1115; B23B 31/1122; B23B 31/266;
B23B 5/38; A61B 17/162; Y10S 279/901;
Y10T 483/171

See application file for complete search history.

* cited by examiner

Primary Examiner — Sheryl Lane

Assistant Examiner — Ieisha Price

(74) *Attorney, Agent, or Firm* — Levenfeld Pearlstein, LLC

(57) **CLAIM**

The ornamental design for a dual threaded chucking screw, as shown and described.

(56) **References Cited**

DESCRIPTION

U.S. PATENT DOCUMENTS

D135,661 S * 5/1943 Krauter D8/387
4,223,585 A * 9/1980 Barth et al. 411/389
D260,103 S * 8/1981 Appel et al. D21/483
7,568,871 B2 * 8/2009 Chopp et al. 411/389
D612,714 S * 3/2010 Skubic D8/387
D726,000 S * 4/2015 Iwasaki D8/387

FIG. 1 is an end perspective view of the dual threaded chucking screw showing my design.

FIG. 2 is a front perspective view thereof; and,

FIG. 3 is a left side perspective view thereof.

1 Claim, 3 Drawing Sheets

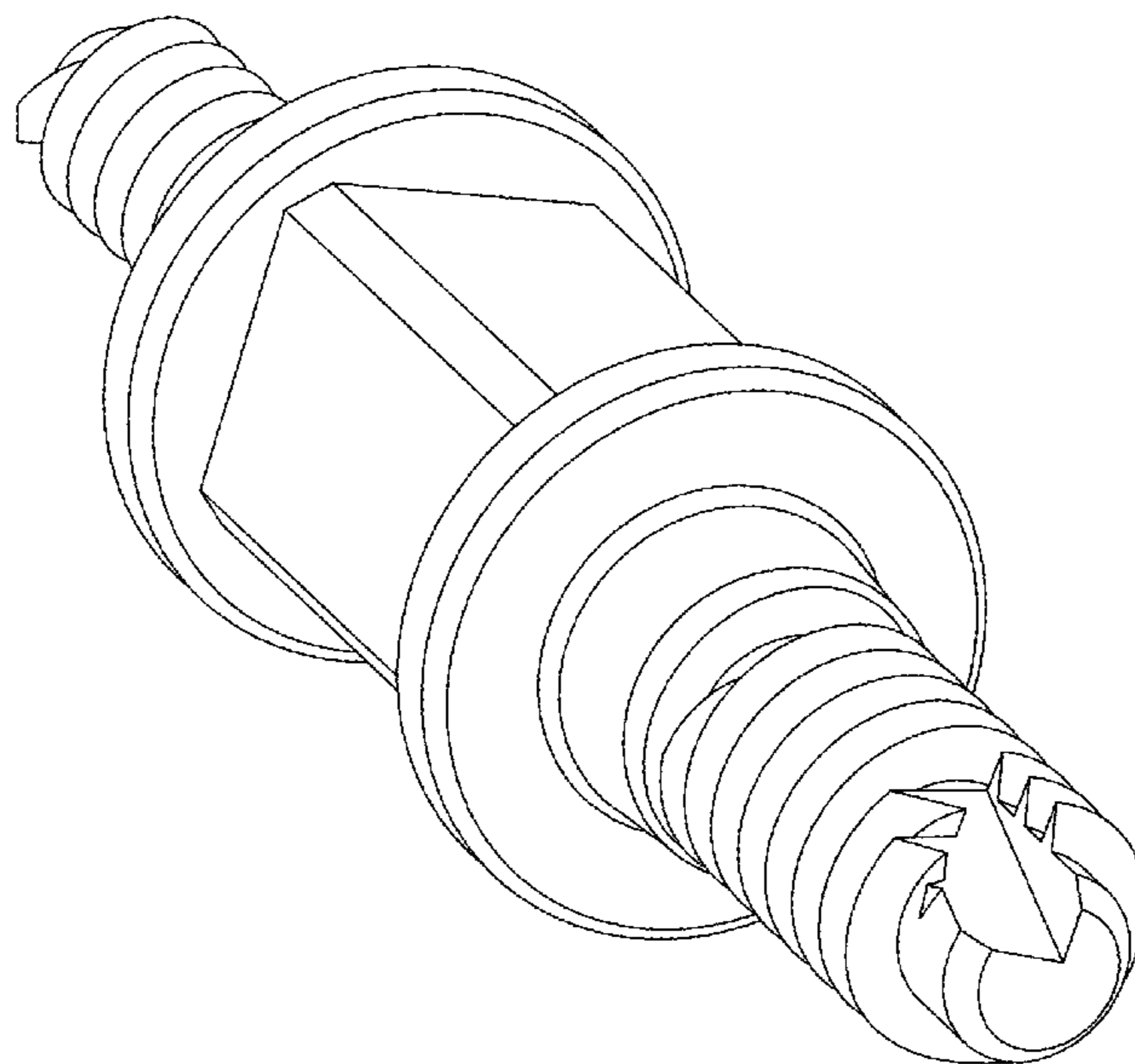


FIG.1

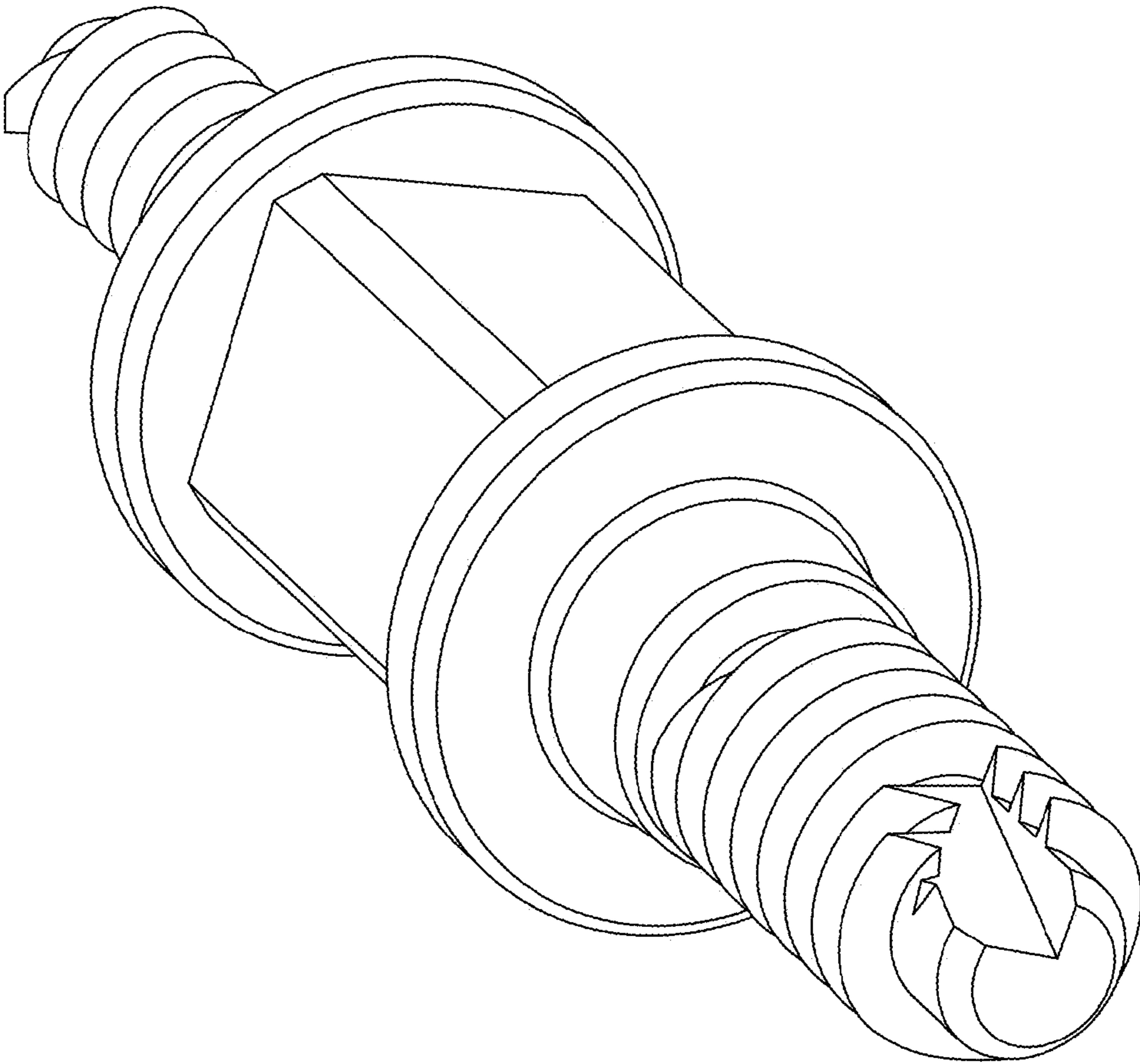


FIG.2

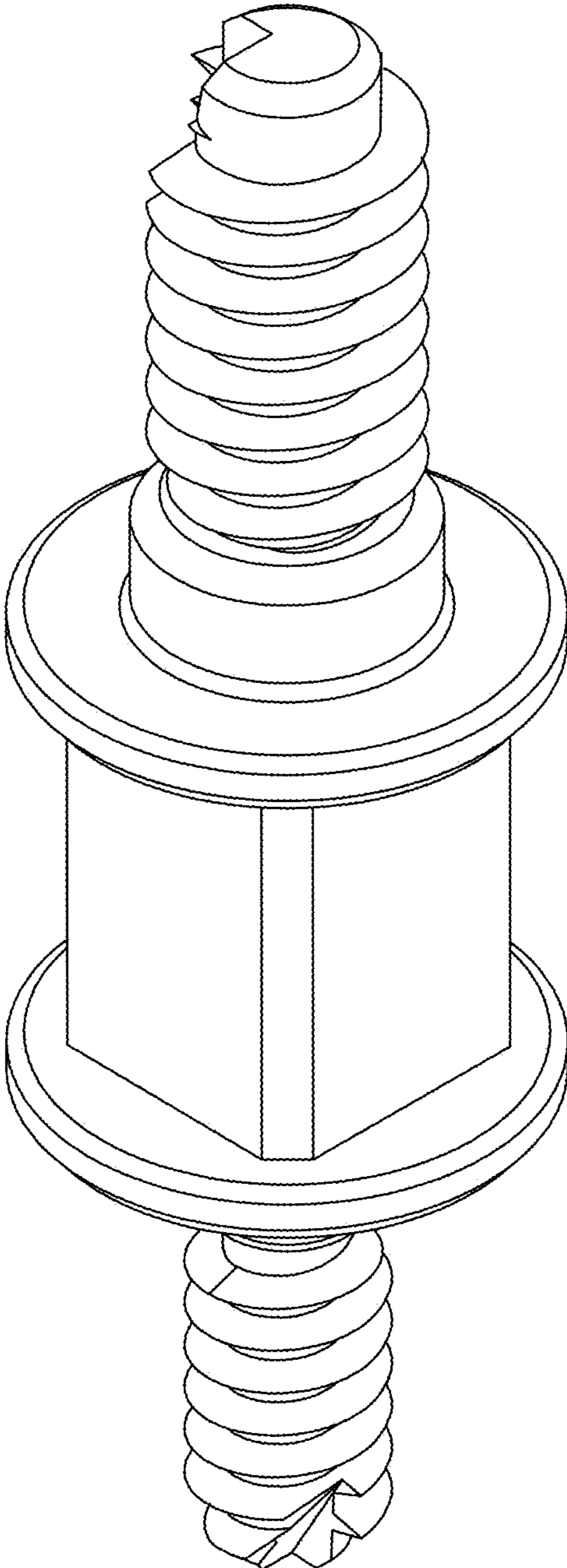


FIG.3

