



US00D753476S

(12) **United States Design Patent**
Roberts et al.

(10) **Patent No.:** **US D753,476 S**
(45) **Date of Patent:** **** Apr. 12, 2016**

(54) **CORNER CONNECTOR FOR A RAPID ASSEMBLY SUPPORT STRUCTURE**

(71) Applicant: **Oddello Industries, LLC**, Morristown, TN (US)

(72) Inventors: **Thomas A. Roberts**, Dandridge, TN (US); **Shawn M. Parella**, Morristown, TN (US)

(73) Assignee: **Oddello Industries, LLC**, Morristown, TN (US)

(**) Term: **14 Years**

(21) Appl. No.: **29/498,535**

(22) Filed: **Aug. 5, 2014**

(51) **LOC (10) Cl.** **08-08**

(52) **U.S. Cl.**
USPC **D8/382**

(58) **Field of Classification Search**
USPC D8/382, 349, 354, 373, 374, 380, 394, D8/499
CPC .. A47C 19/005; A47C 19/021; A47C 23/007; F16B 12/54; F16B 12/56; F16B 12/46; F16B 12/04; E06B 3/9644; B65D 19/0002; B65D 19/00; Y10T 403/4602
See application file for complete search history.

(56) **References Cited**

U.S. PATENT DOCUMENTS

D229,384 S *	11/1973	Groce	D8/354
D277,156 S *	1/1985	Hardy	D8/382
D599,199 S *	9/2009	Roberts	D8/382
7,703,155 B1 *	4/2010	Roberts	A47C 19/005 403/231
D616,291 S *	5/2010	Roberts	D8/382
7,900,300 B1 *	3/2011	Roberts	A47C 19/005 403/231

8,020,224 B2 *	9/2011	Turnbull	A47C 23/007 5/254
D653,939 S *	2/2012	Roberts	D8/382
D716,136 S *	10/2014	Roberts	D8/382
D717,158 S *	11/2014	Roberts	D8/382
D719,014 S *	12/2014	Roberts	D8/382
D731,881 S *	6/2015	Roberts	D8/382
9,080,304 B1 *	7/2015	Roberts	E02D 27/32
2010/0319124 A1 *	12/2010	Turnbull	A47C 23/007 5/254
2012/0321378 A1 *	12/2012	Velez, Jr.	F16B 12/20 403/300

* cited by examiner

Primary Examiner — Sheryl Lane

Assistant Examiner — Ieisha Price

(74) *Attorney, Agent, or Firm* — Shaddock Law Group, PC

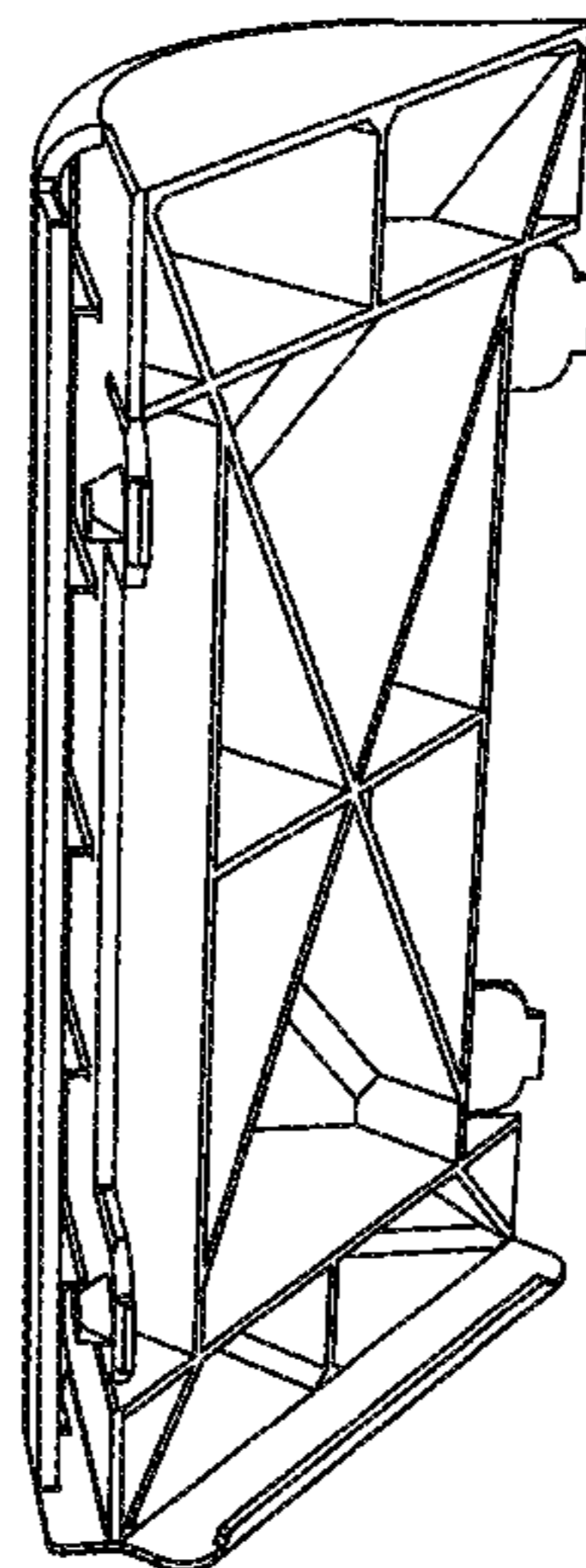
(57) **CLAIM**

The ornamental design for a corner connector for a rapid assembly support structure, as shown and described.

DESCRIPTION

FIG. 1 is a top, left perspective view of a first exemplary embodiment of the corner connector for a rapid assembly support structure, showing our new design; FIG. 2 is a top, right perspective view thereof; FIG. 3 is a left side perspective view thereof; FIG. 4 is a right side perspective view thereof; FIG. 5 is a bottom, left perspective view thereof; FIG. 6 is a bottom, right perspective view thereof; FIG. 7 is a top, front perspective view thereof; FIG. 8 is a bottom, front perspective view thereof; FIG. 9 is a front view thereof; FIG. 10 is a rear view thereof; FIG. 11 is a rear, right side view thereof; FIG. 12 is a rear, left side view thereof; FIG. 13 is a top view thereof; and, FIG. 14 is a bottom view thereof.

1 Claim, 7 Drawing Sheets



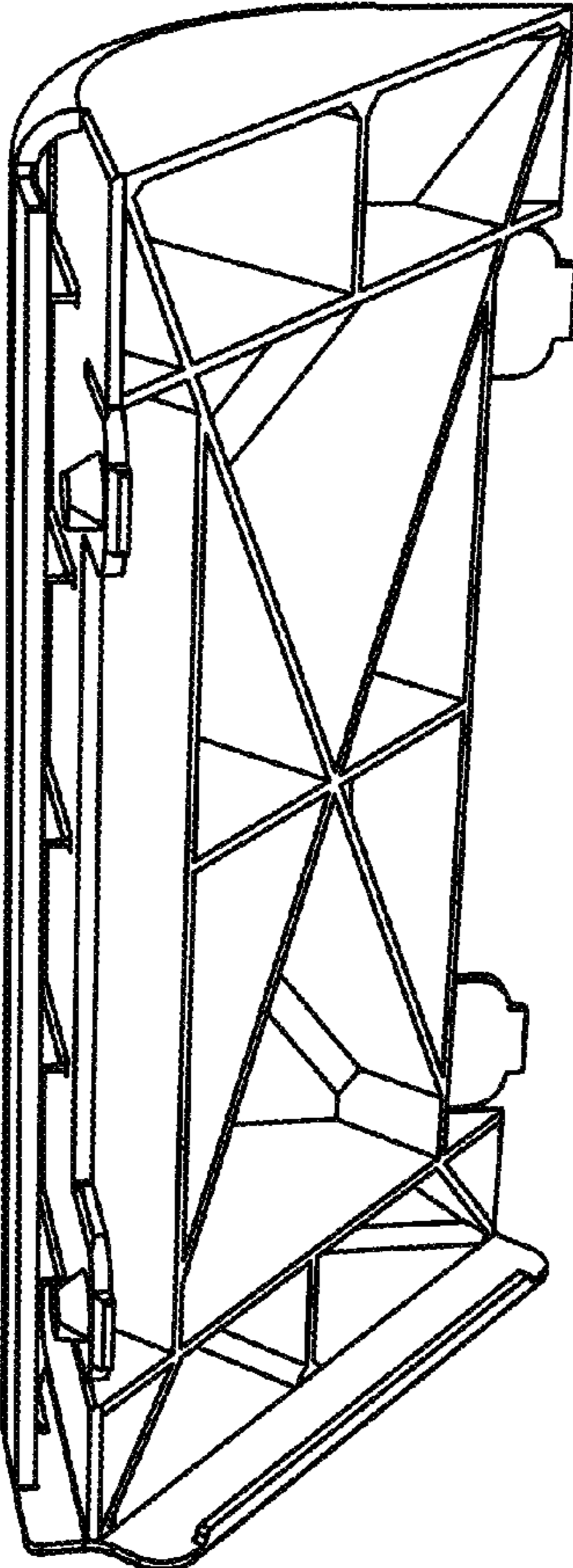


FIG. 1

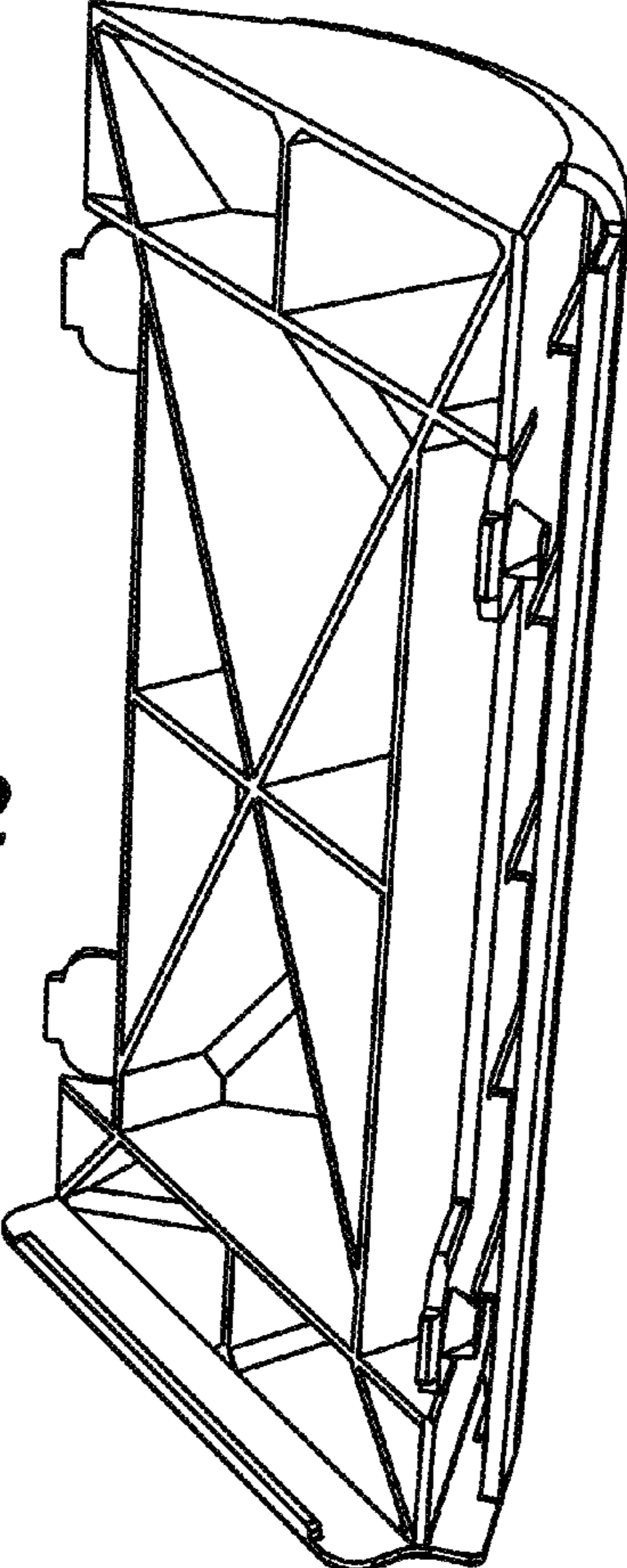


FIG. 2

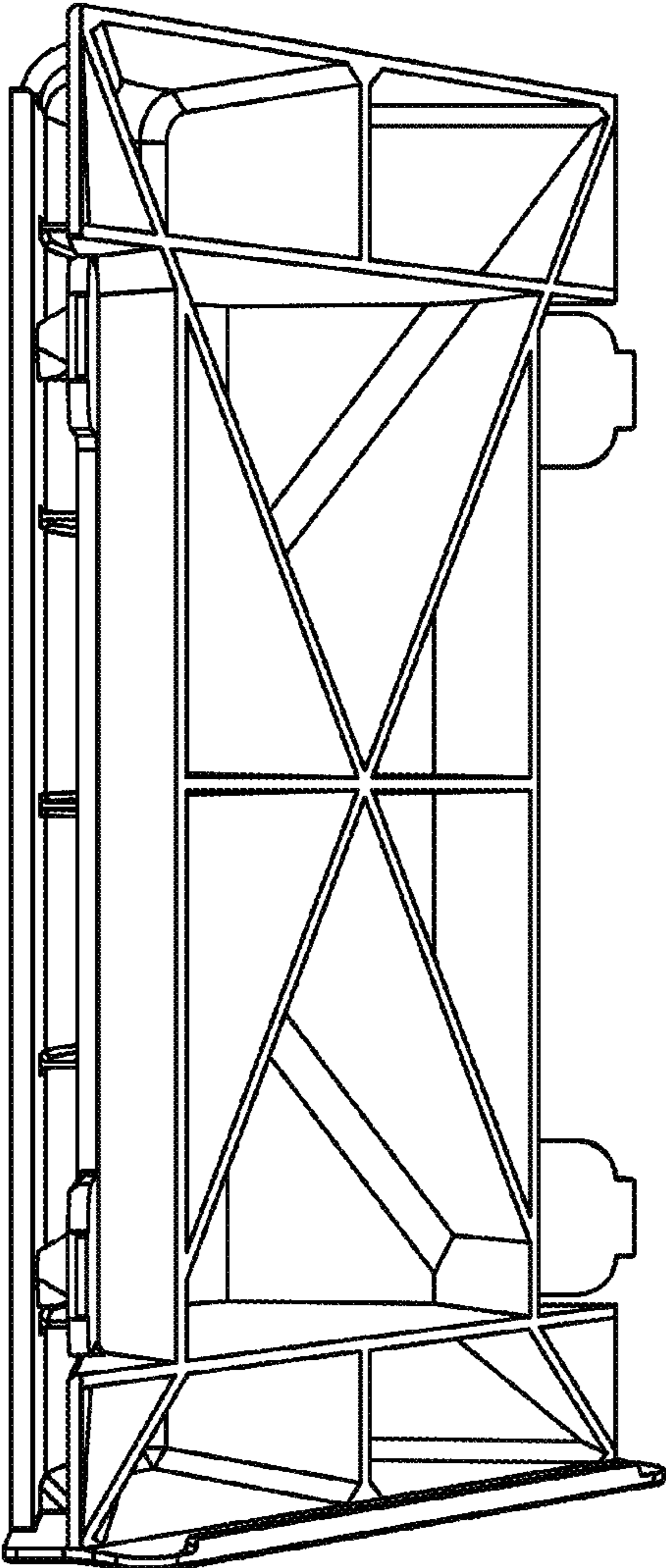


FIG. 3

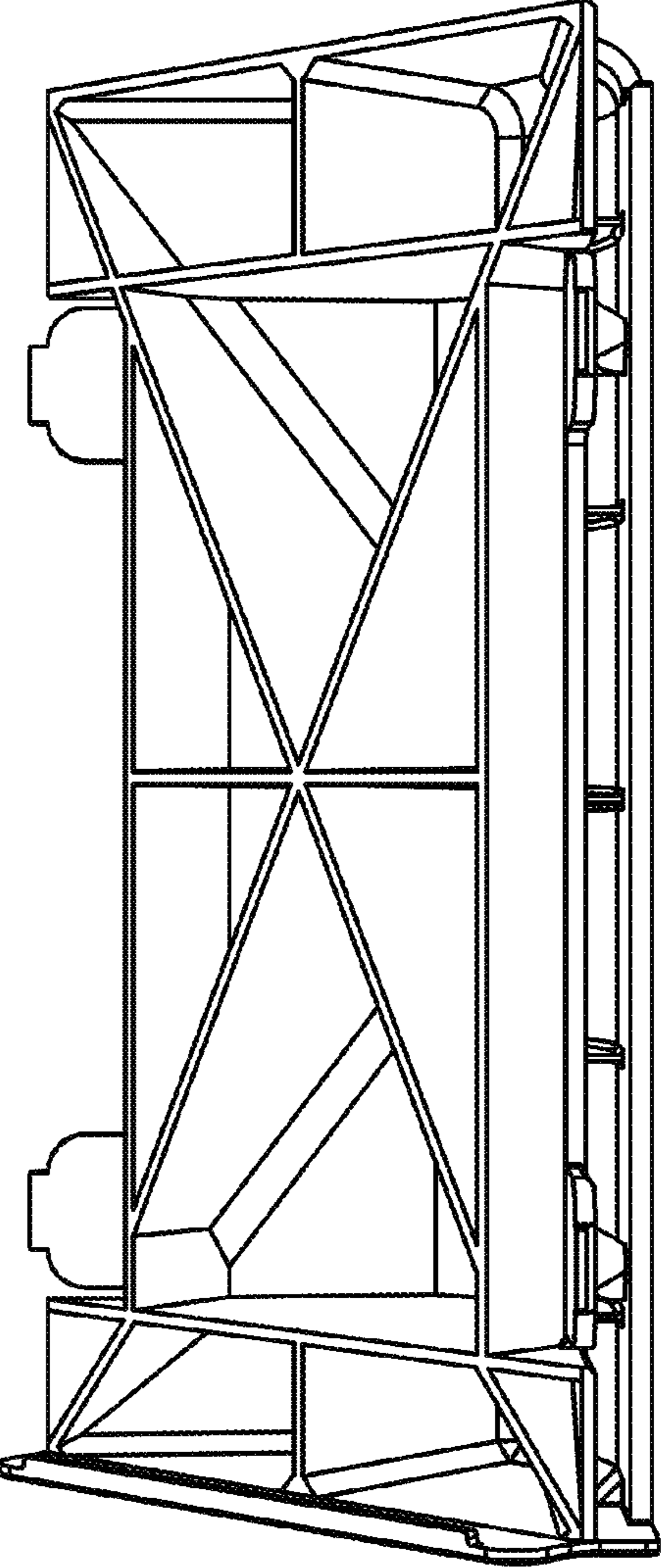


FIG. 4

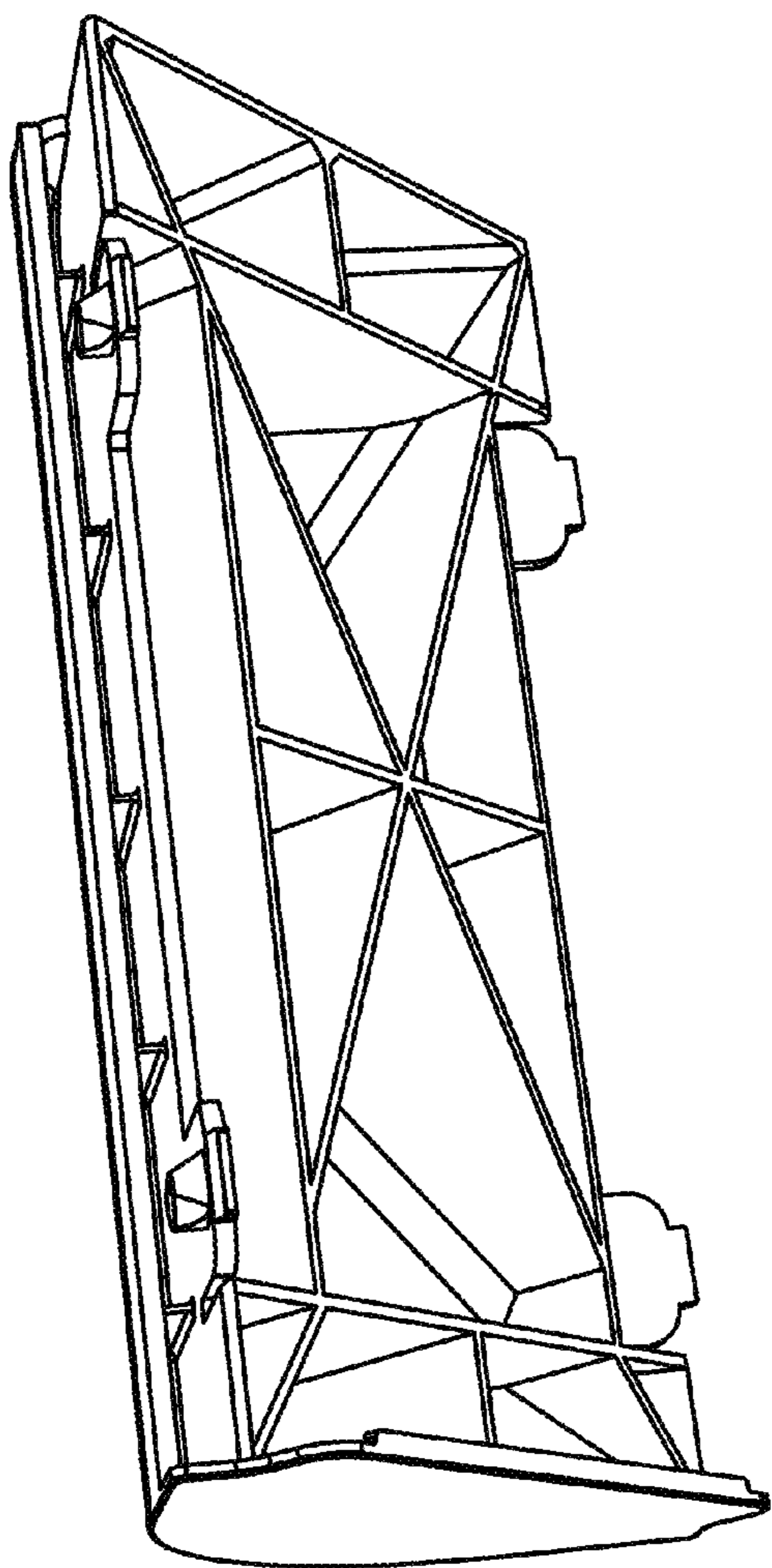


FIG. 5

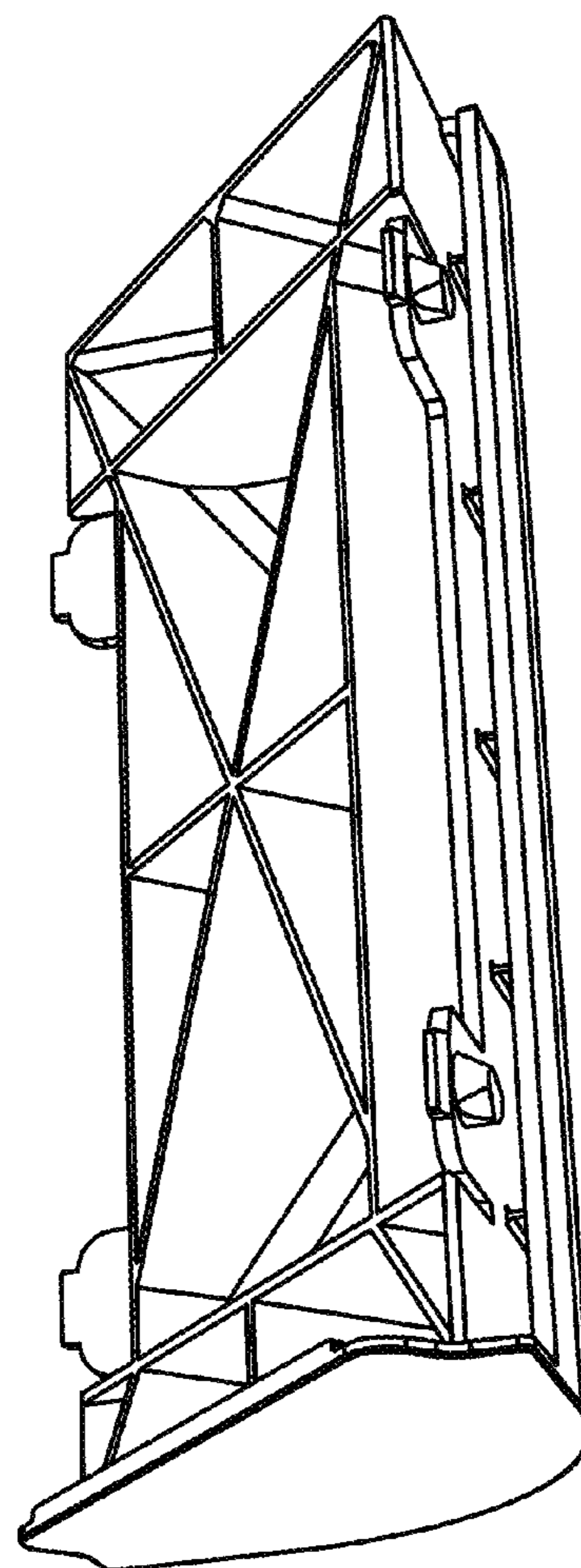


FIG. 6

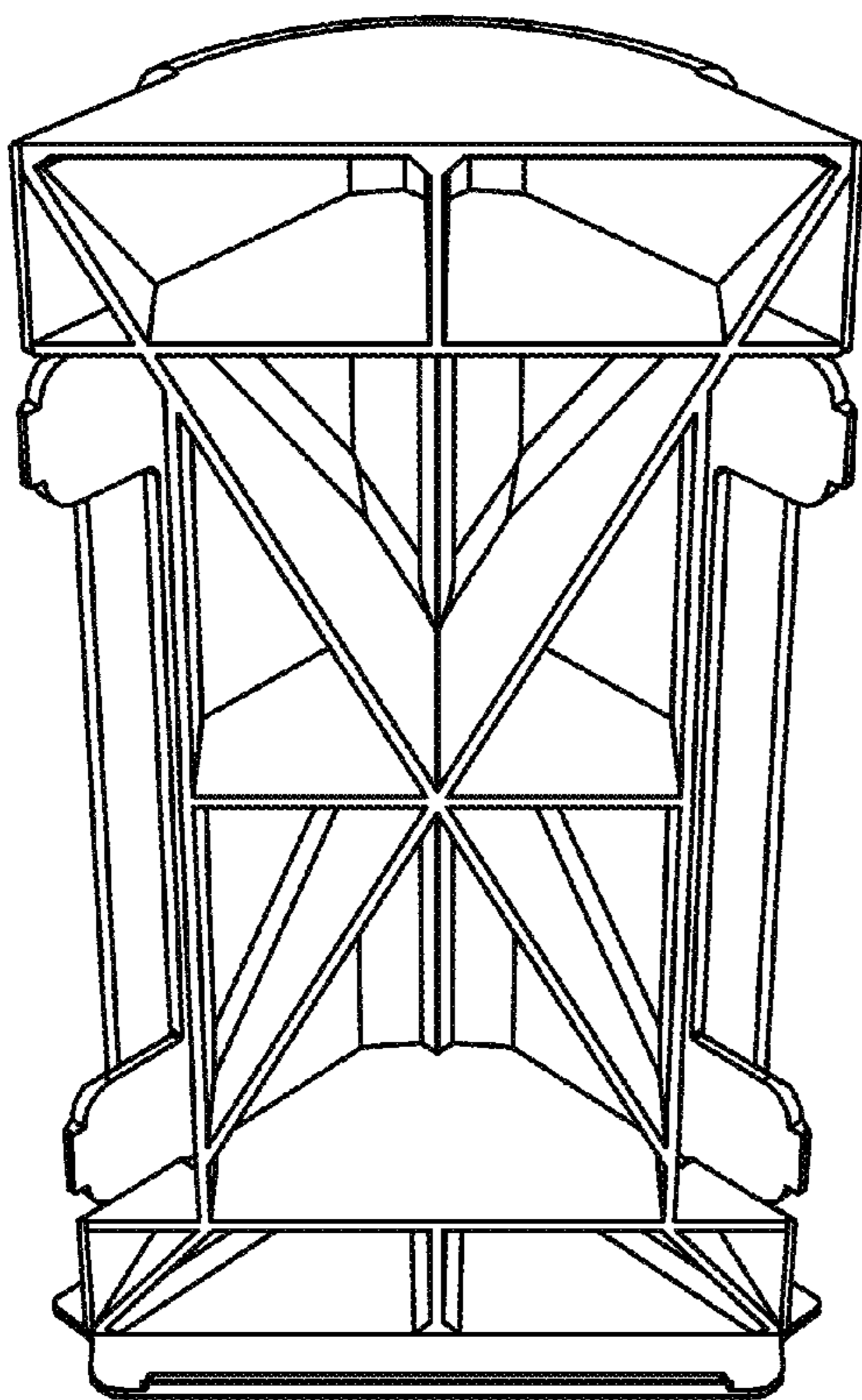


FIG. 7

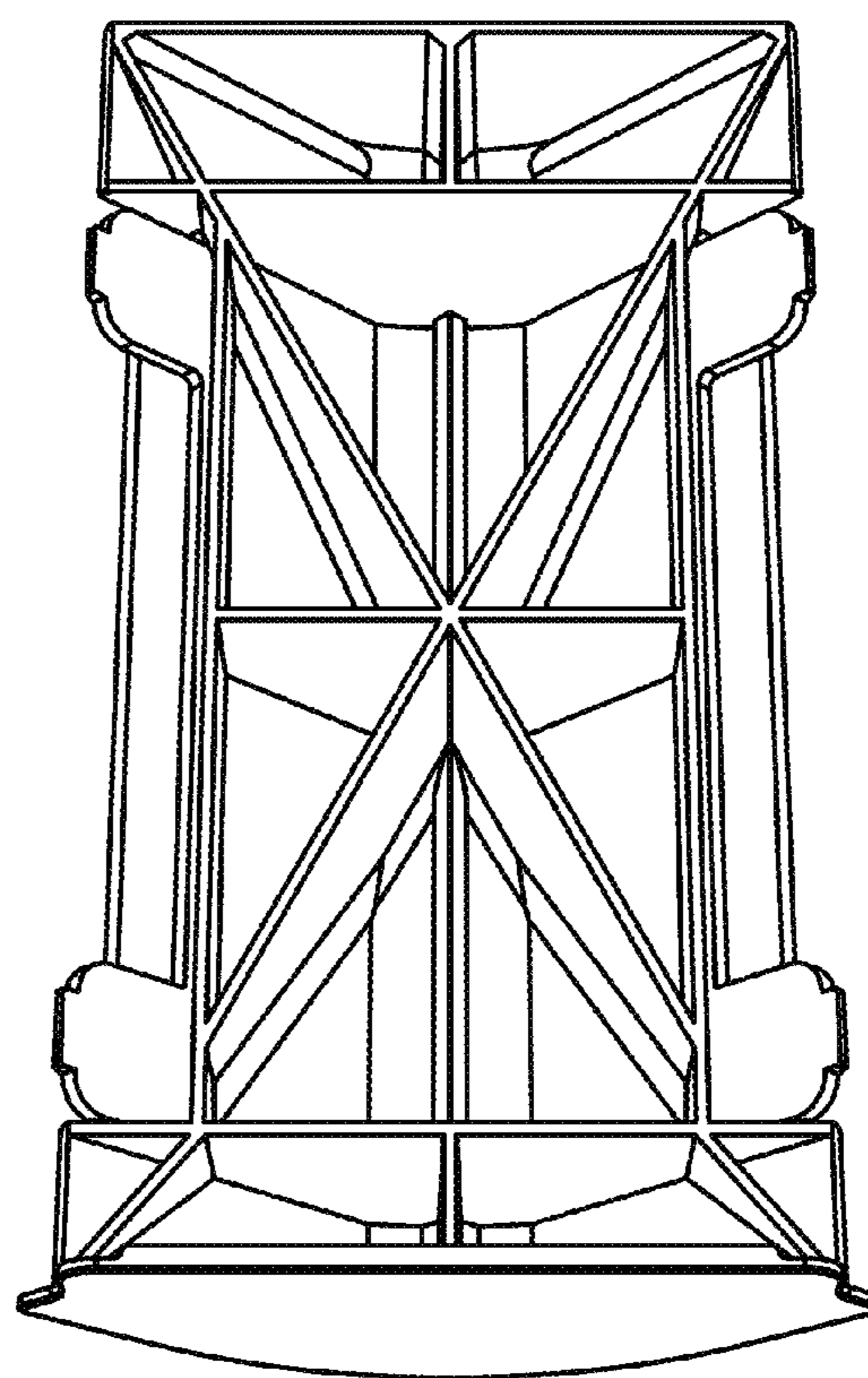


FIG. 8

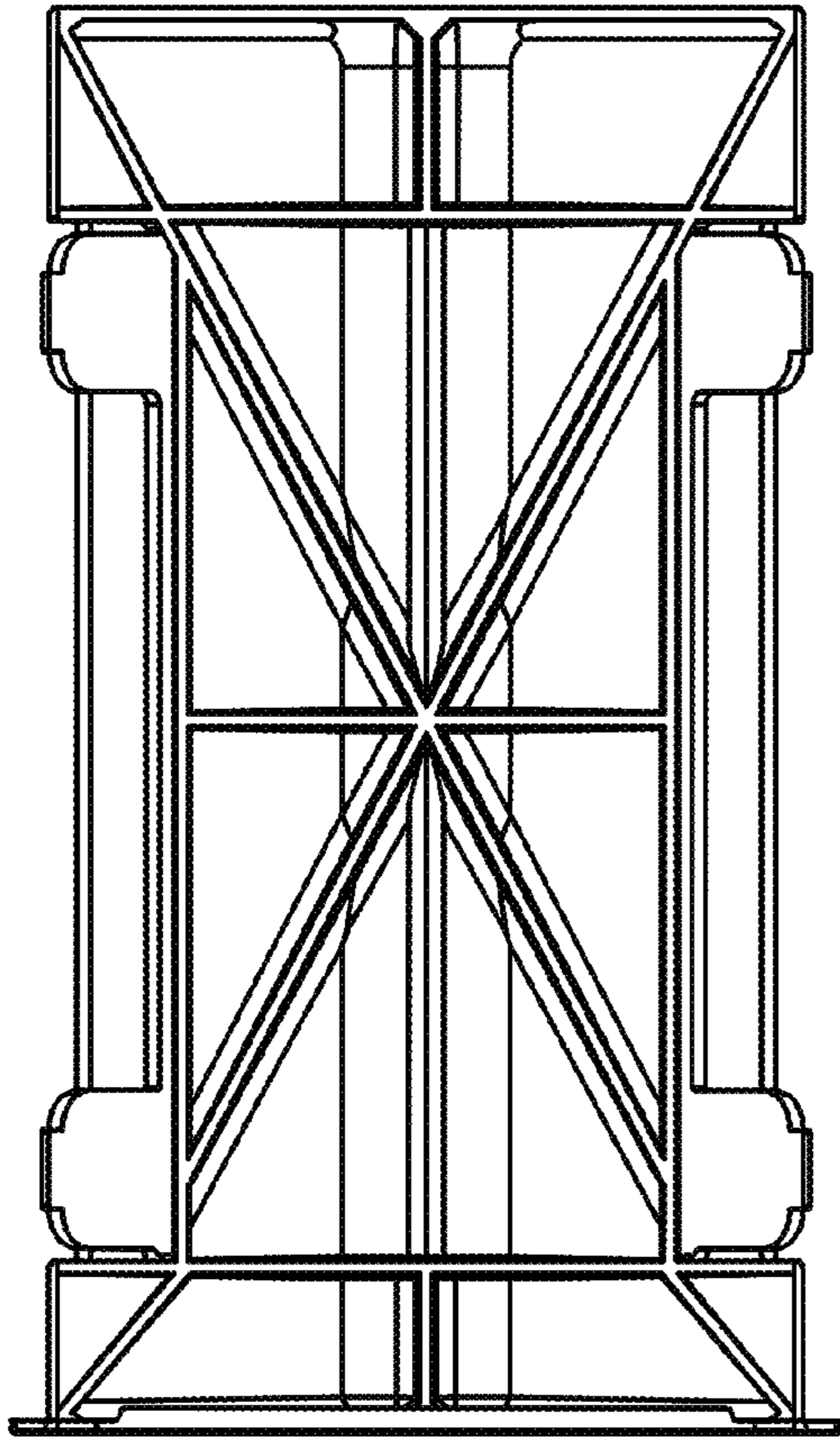


FIG. 9

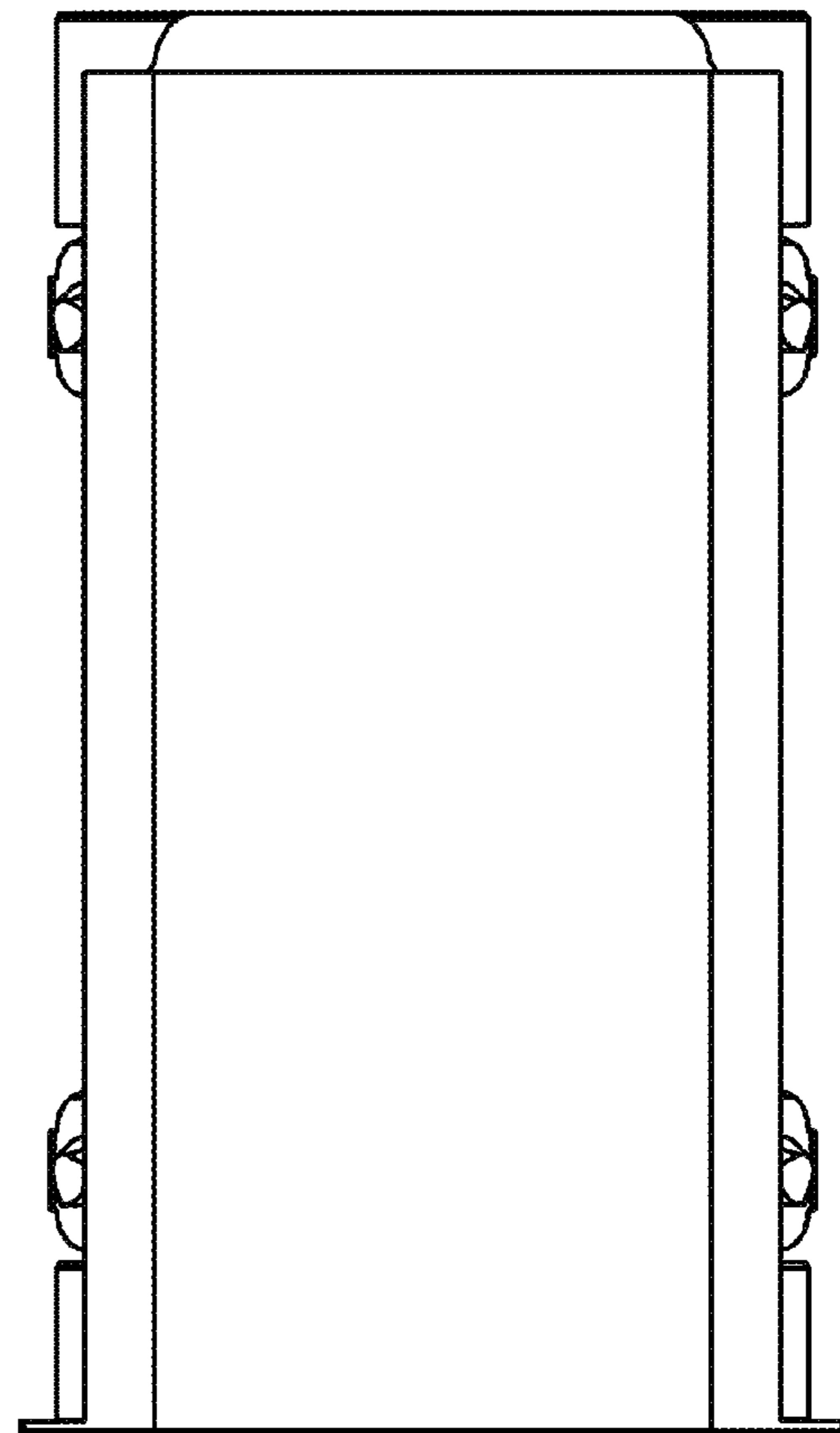


FIG. 10

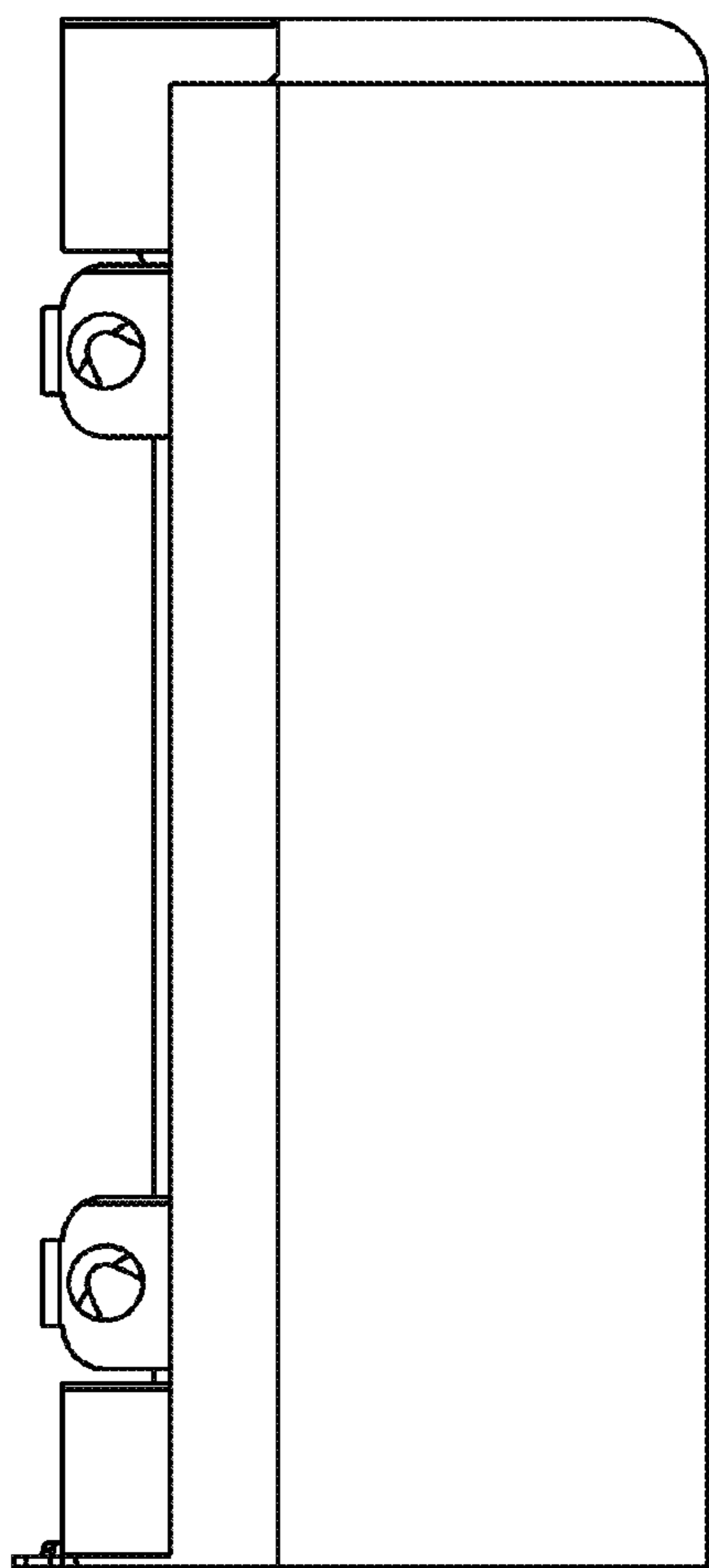


FIG. 11

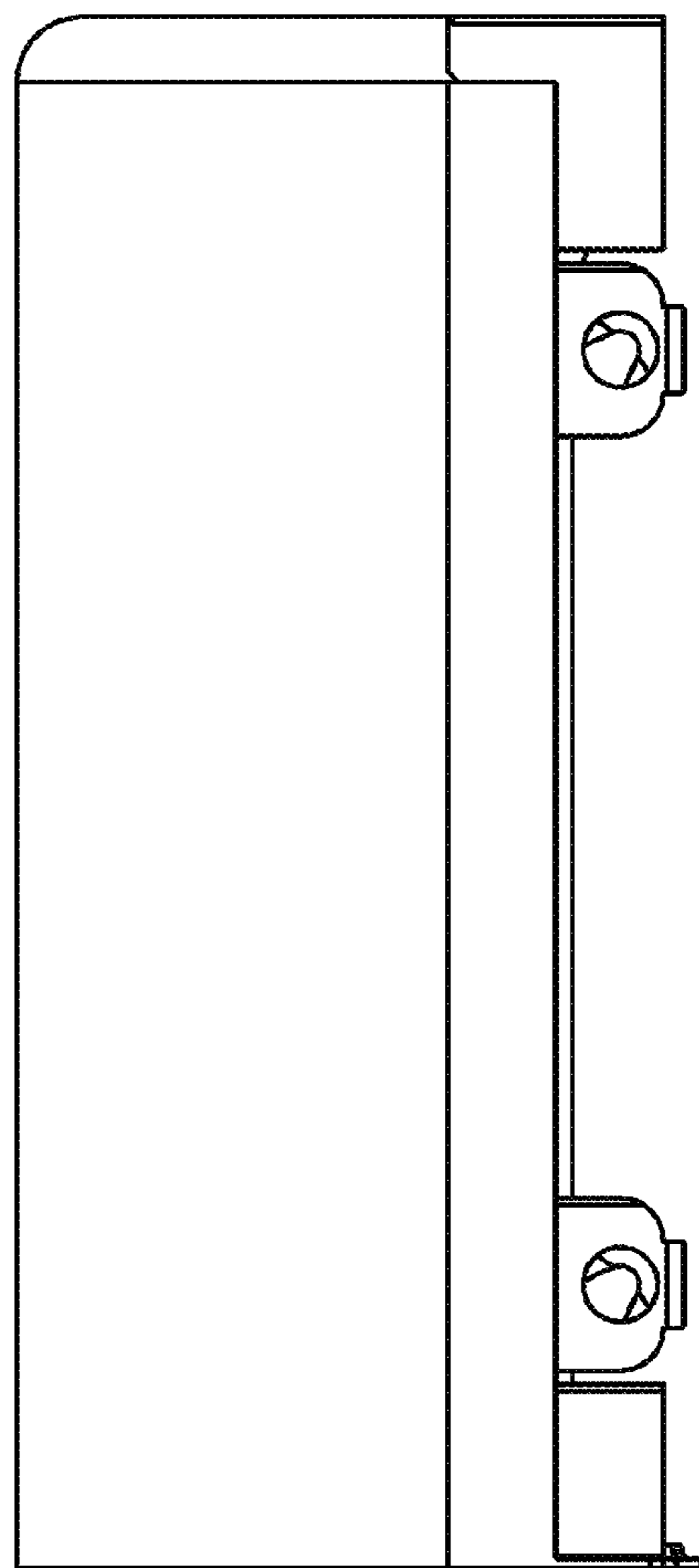


FIG. 12

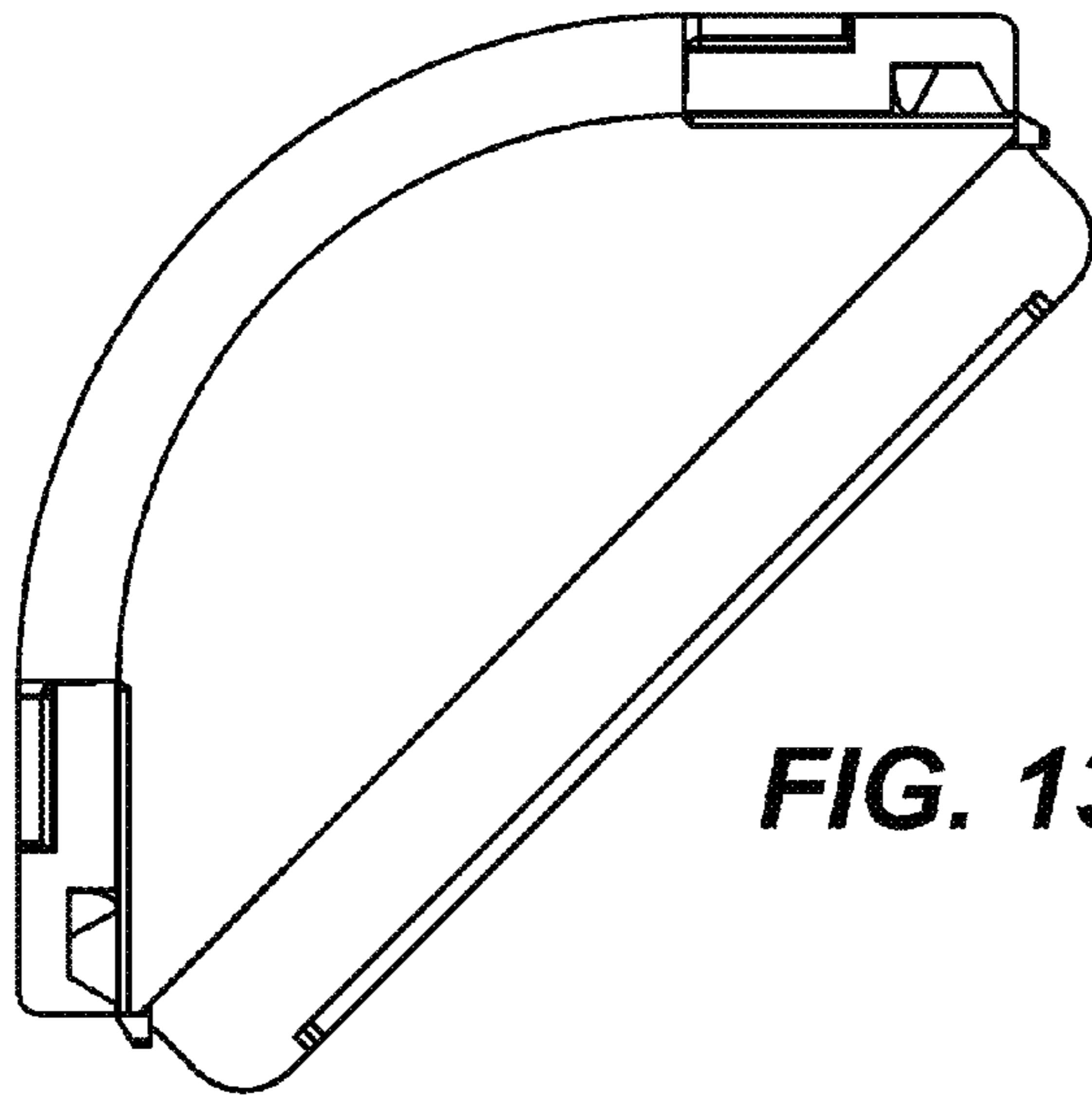


FIG. 13

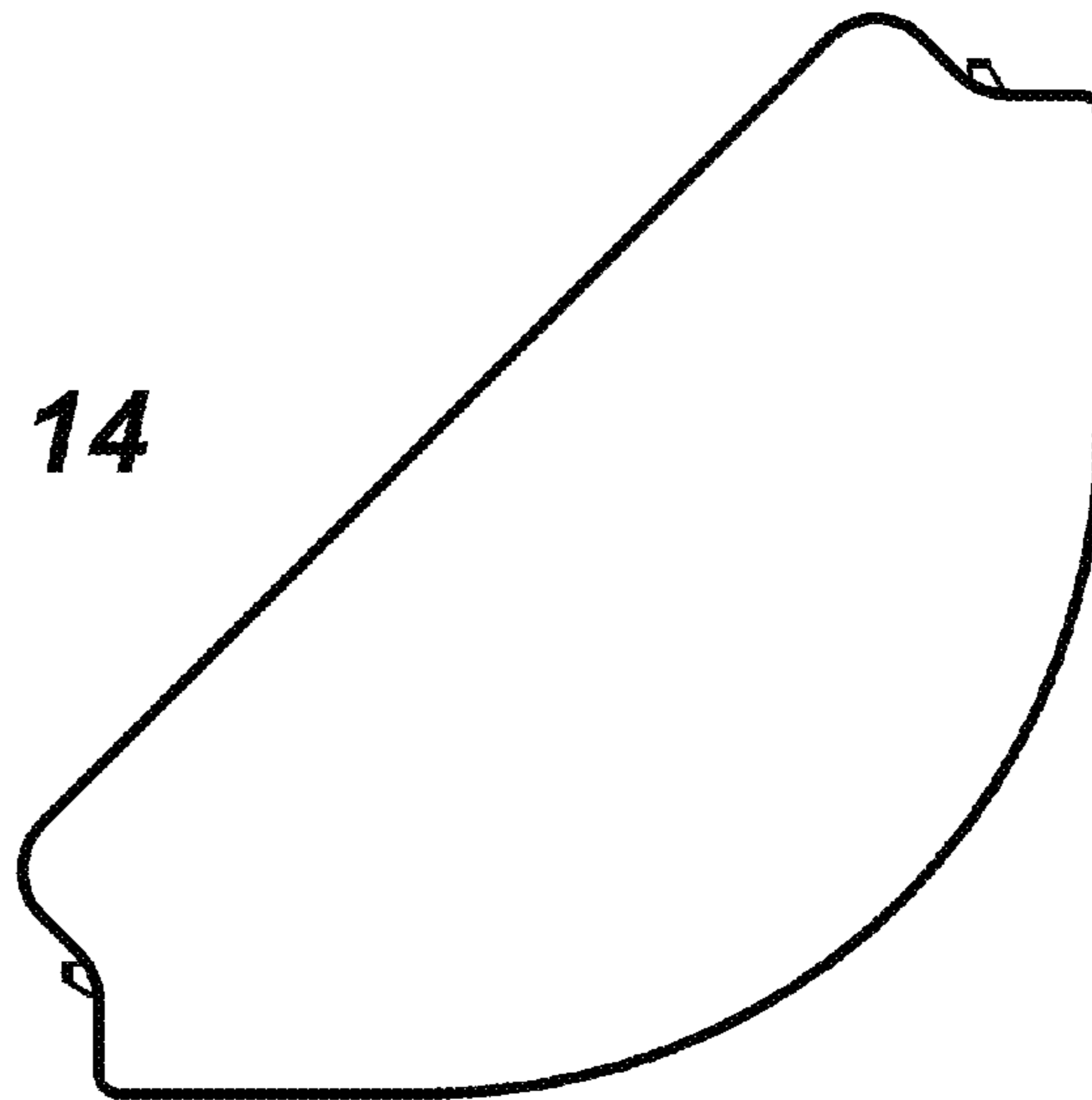


FIG. 14