



US00D753475S

(12) **United States Design Patent**  
**Chappus**

(10) **Patent No.:** **US D753,475 S**

(45) **Date of Patent:** **\*\* Apr. 12, 2016**

- (54) **SUPPORT MEMBER FOR A TOOL MOUNTING BAR**
- (71) Applicant: **Norgren Automation Solutions, LLC**,  
Saline, MI (US)
- (72) Inventor: **Corey Chappus**, Armada, MI (US)
- (73) Assignee: **Norgren Automation Solutions, LLC**,  
Saline, MI (US)
- (\*\*) Term: **14 Years**
- (21) Appl. No.: **29/510,570**
- (22) Filed: **Dec. 1, 2014**
- (51) **LOC (10) Cl.** ..... **08-05**
- (52) **U.S. Cl.**  
USPC ..... **D8/380**
- (58) **Field of Classification Search**  
USPC ..... D8/16, 18, 19, 20, 105, 356, 363, 366,  
D8/370-377, 380-382; D6/406.2;  
D12/106, 48; D34/33, 35, 36;  
D15/122, 125, 126, 138, 140  
CPC ..... B65G 47/917; B65G 49/061; B65G  
2249/045; B66C 1/0231; Y10S 269/91;  
Y10S 414/13; B25B 11/005; B66F 9/181;  
Y10T 74/20305; A61B 19/2203; B21D 43/05;  
B21D 43/052; B21D 43/057; B21D 43/18;  
F16L 27/12  
See application file for complete search history.

D416,918	S	*	11/1999	Jacobson et al.	.....	D15/140
6,244,814	B1		6/2001	Herbermann et al.		
6,416,273	B1		7/2002	Herbermann et al.		
D469,939	S	*	2/2003	Speckhart et al.	.....	D34/35
6,626,629	B2		9/2003	Herbermann et al.		
6,860,705	B1		3/2005	Dietrich et al.		
D529,524	S	*	10/2006	Duncan	.....	D15/138
D538,315	S	*	3/2007	Bernhardt	.....	D15/140
7,748,107	B2		7/2010	Hurst et al.		
8,024,852	B1		9/2011	Hurst et al.		
8,122,581	B1		2/2012	Hurst et al.		
D671,394	S	*	11/2012	Derry	.....	D8/373
8,371,631	B2		2/2013	Lin		
8,607,441	B1		12/2013	Hurst et al.		
8,684,418	B2		4/2014	Lin et al.		
8,702,340	B2		4/2014	Lin et al.		
8,770,566	B2		7/2014	Takeda		
2012/0280527	A1		11/2012	Lin et al.		

\* cited by examiner

*Primary Examiner* — Robert M Spear

*Assistant Examiner* — Eliza Bennett-Hattan

(74) *Attorney, Agent, or Firm* — Young Basile Hanlon & MacFarlane P.C.

(57) **CLAIM**

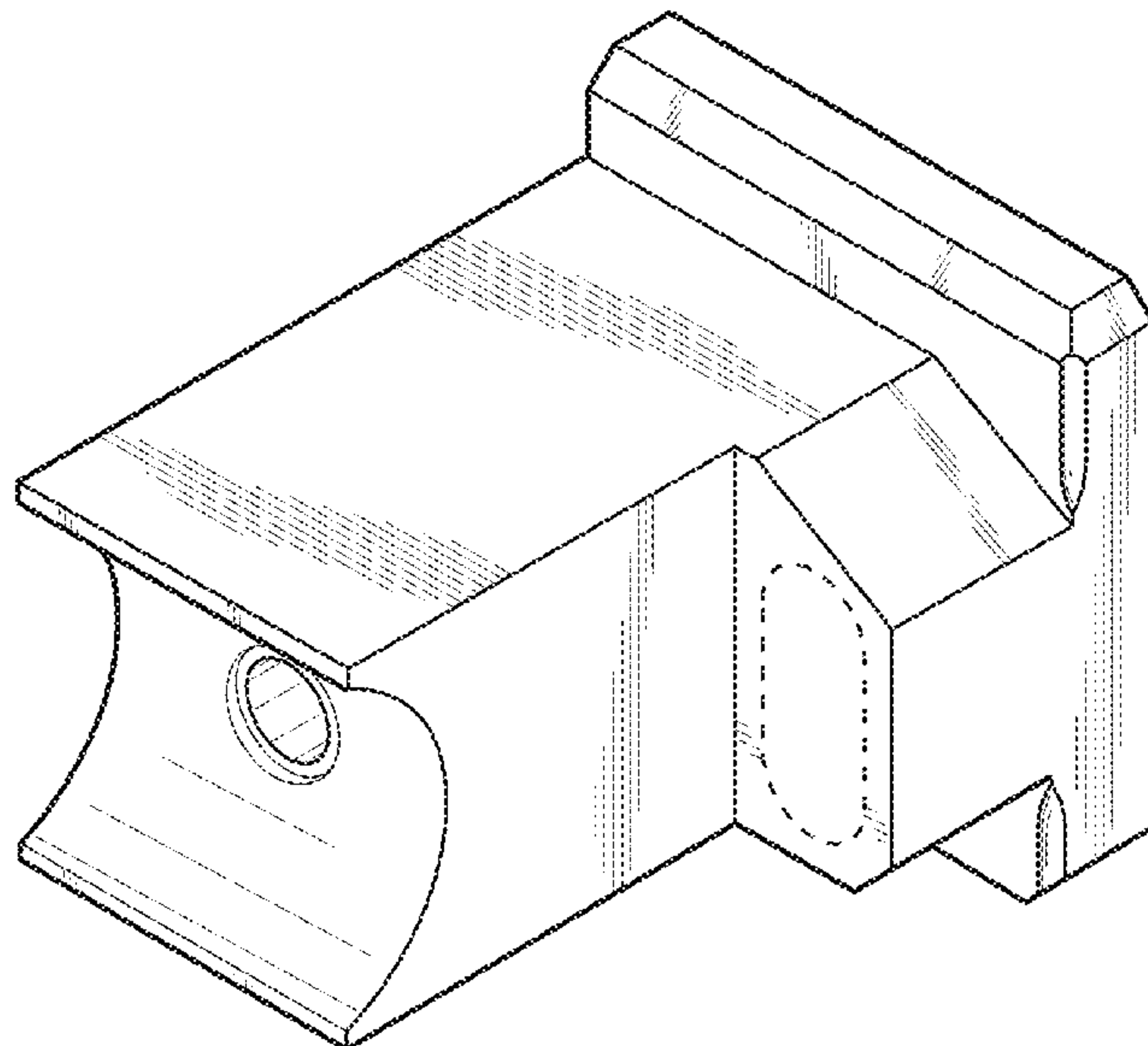
The ornamental design for a support member for a tool mounting bar, as shown and described.

**DESCRIPTION**

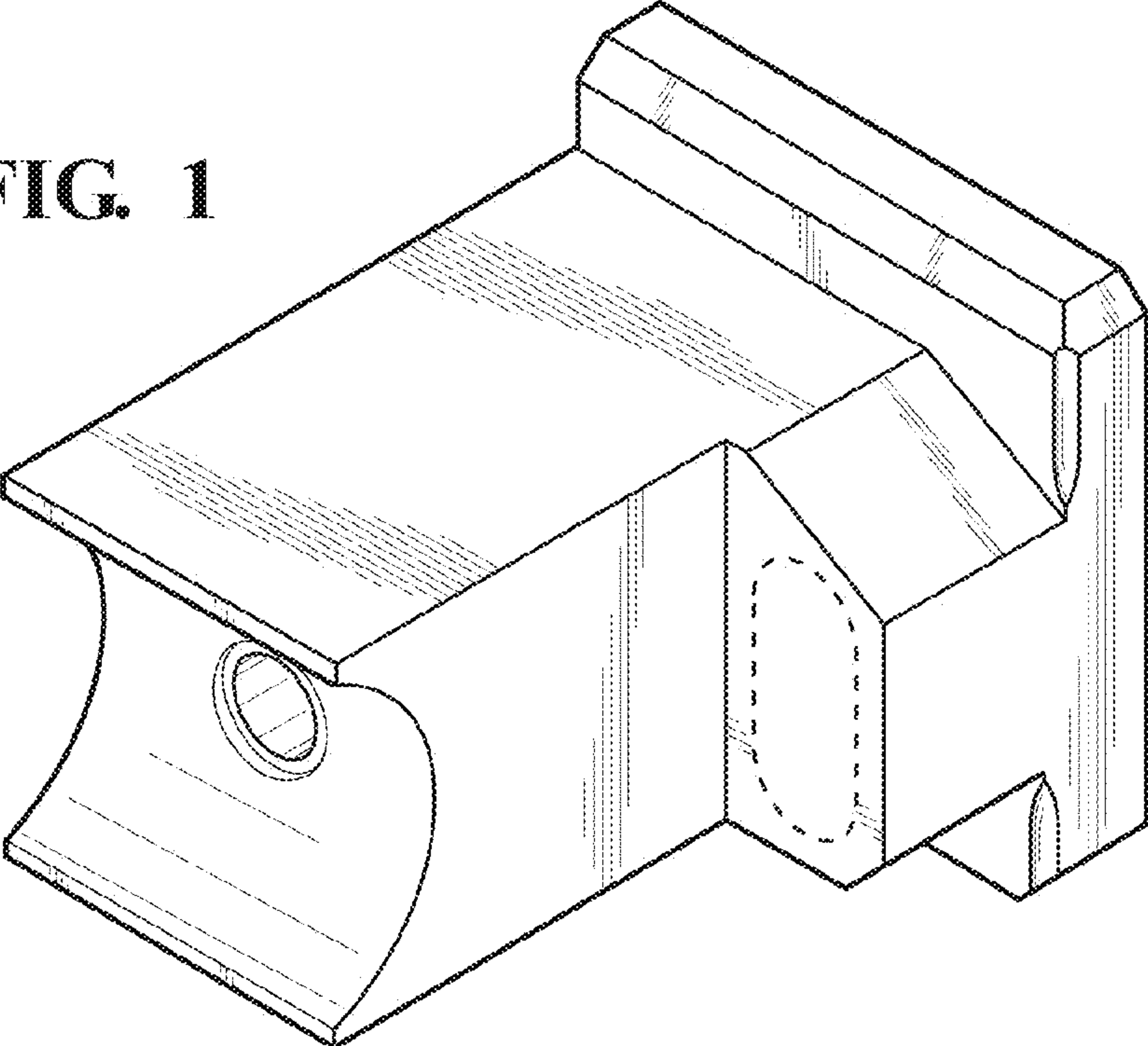
FIG. 1 is a front perspective view of a support member for a tool mounting bar according to a first embodiment; FIG. 2 is a right side view of the support member of FIG. 1; FIG. 3 is a front view of the support member of FIG. 1; FIG. 4 is a left side view of the support member of FIG. 1; FIG. 5 is a top view of the support member of FIG. 1; FIG. 6 is a rear view of the support member of FIG. 1; and, FIG. 7 is a bottom view of the support member of FIG. 1. The broken lines in the drawing depict boundaries of the claim and form no part of the claimed design.

**1 Claim, 3 Drawing Sheets**

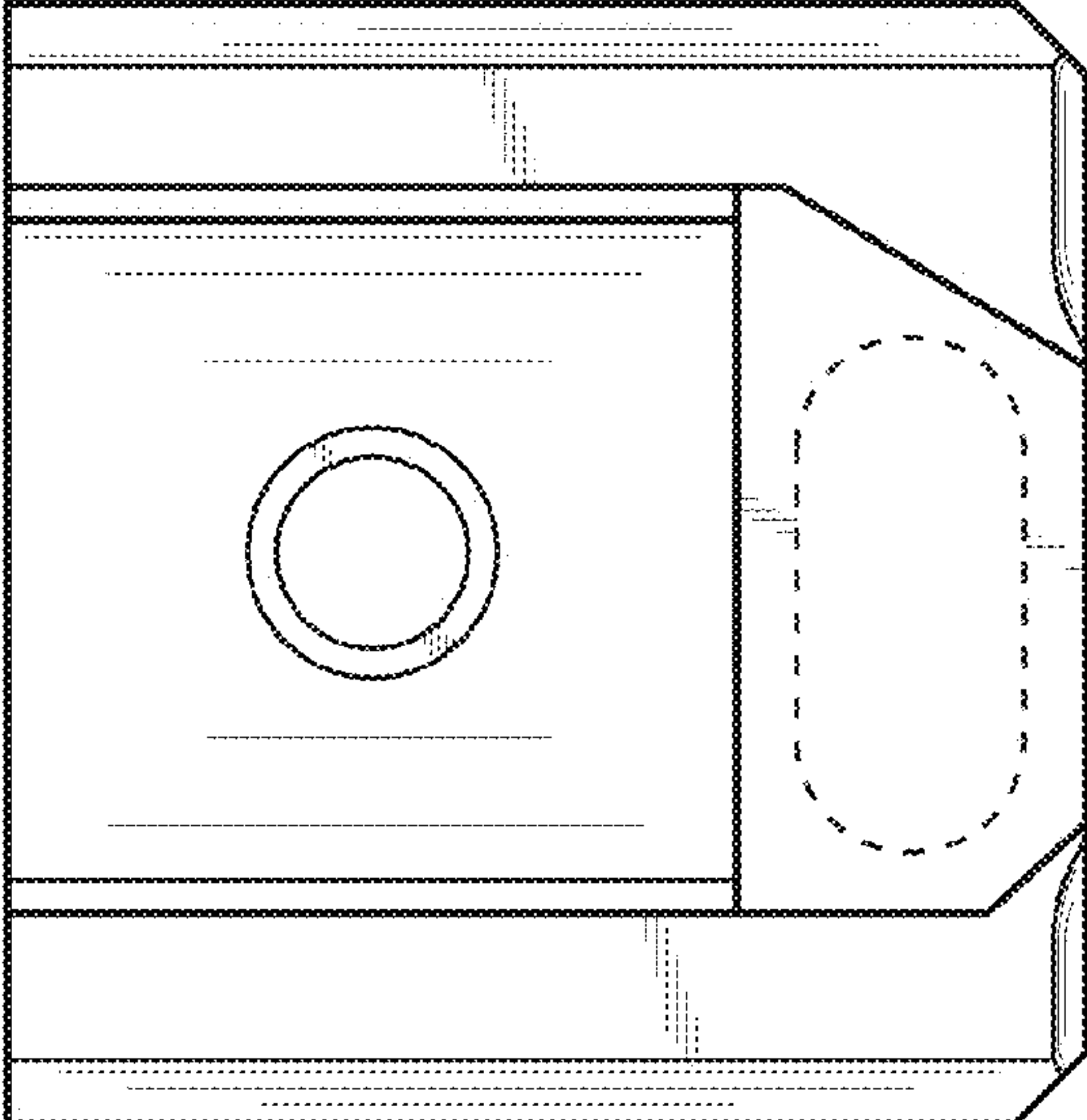
- (56) **References Cited**  
U.S. PATENT DOCUMENTS
- D270,516 S \* 9/1983 Achille ..... D8/354
- D369,363 S \* 4/1996 Mihic ..... D15/140
- 5,733,097 A 3/1998 Herbermann et al.
- 5,746,567 A 5/1998 Herbermann et al.
- 5,909,998 A 6/1999 Herbermann et al.
- D412,511 S \* 8/1999 Lefevre ..... D15/140



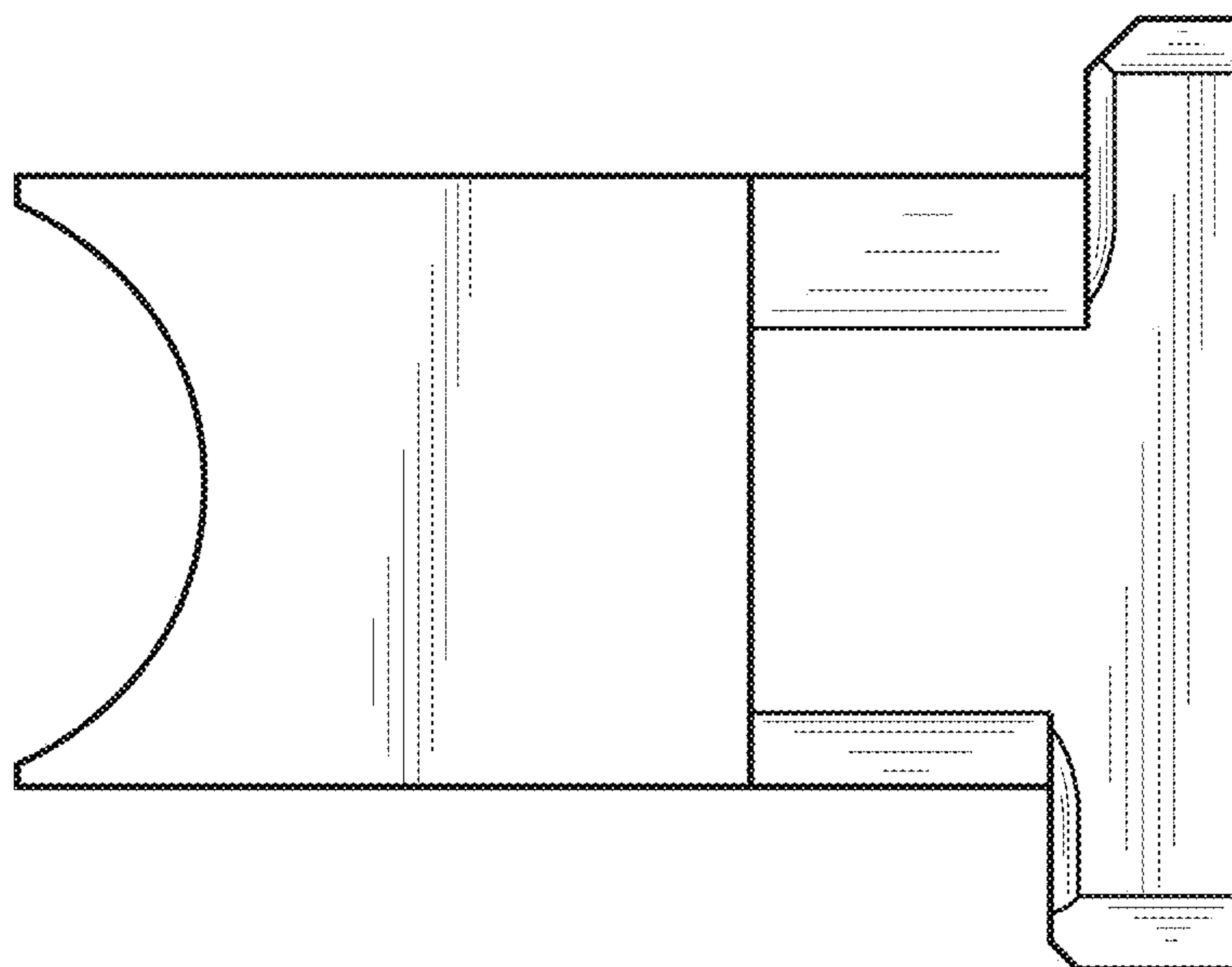
**FIG. 1**



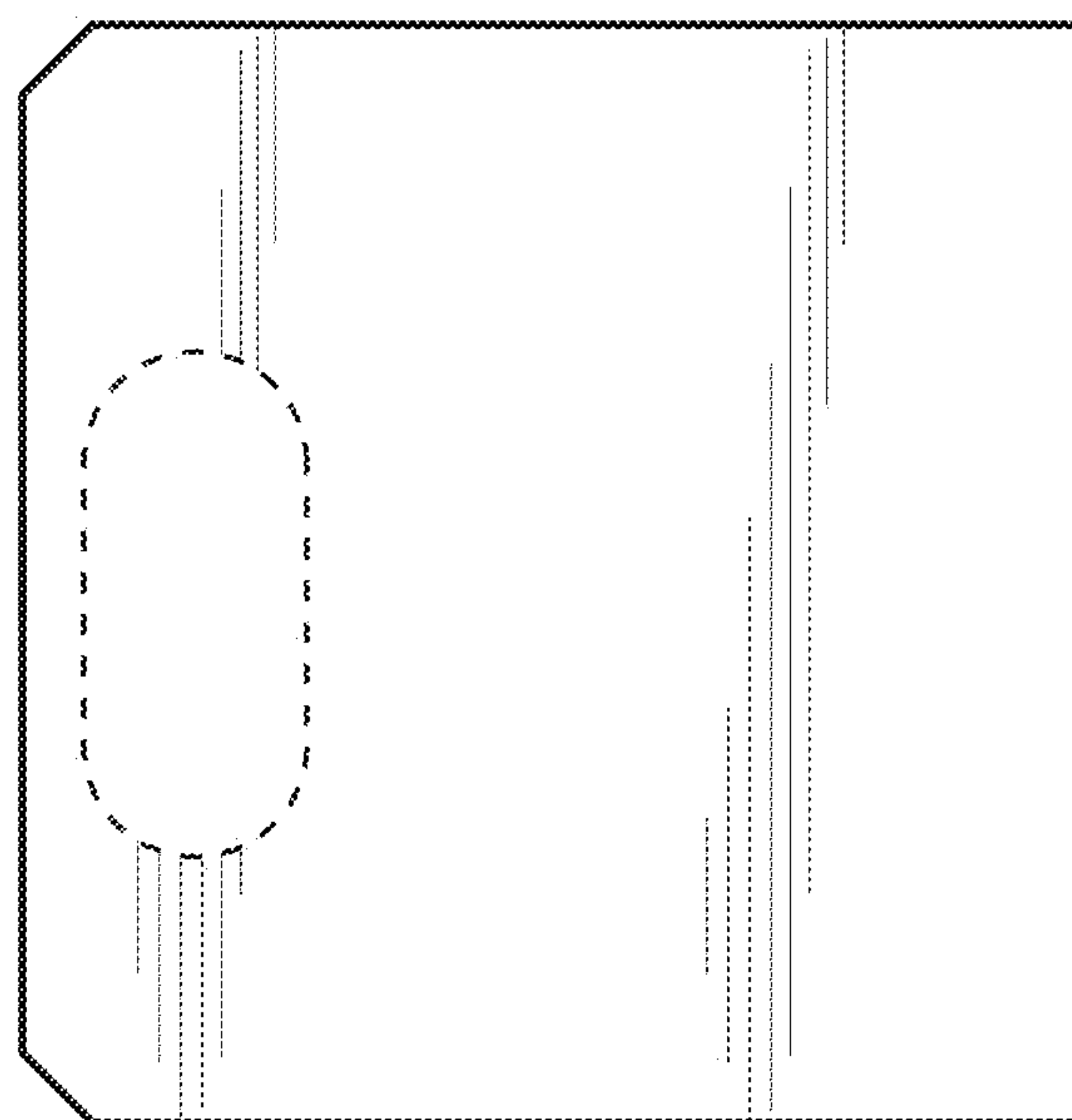
**FIG. 2**



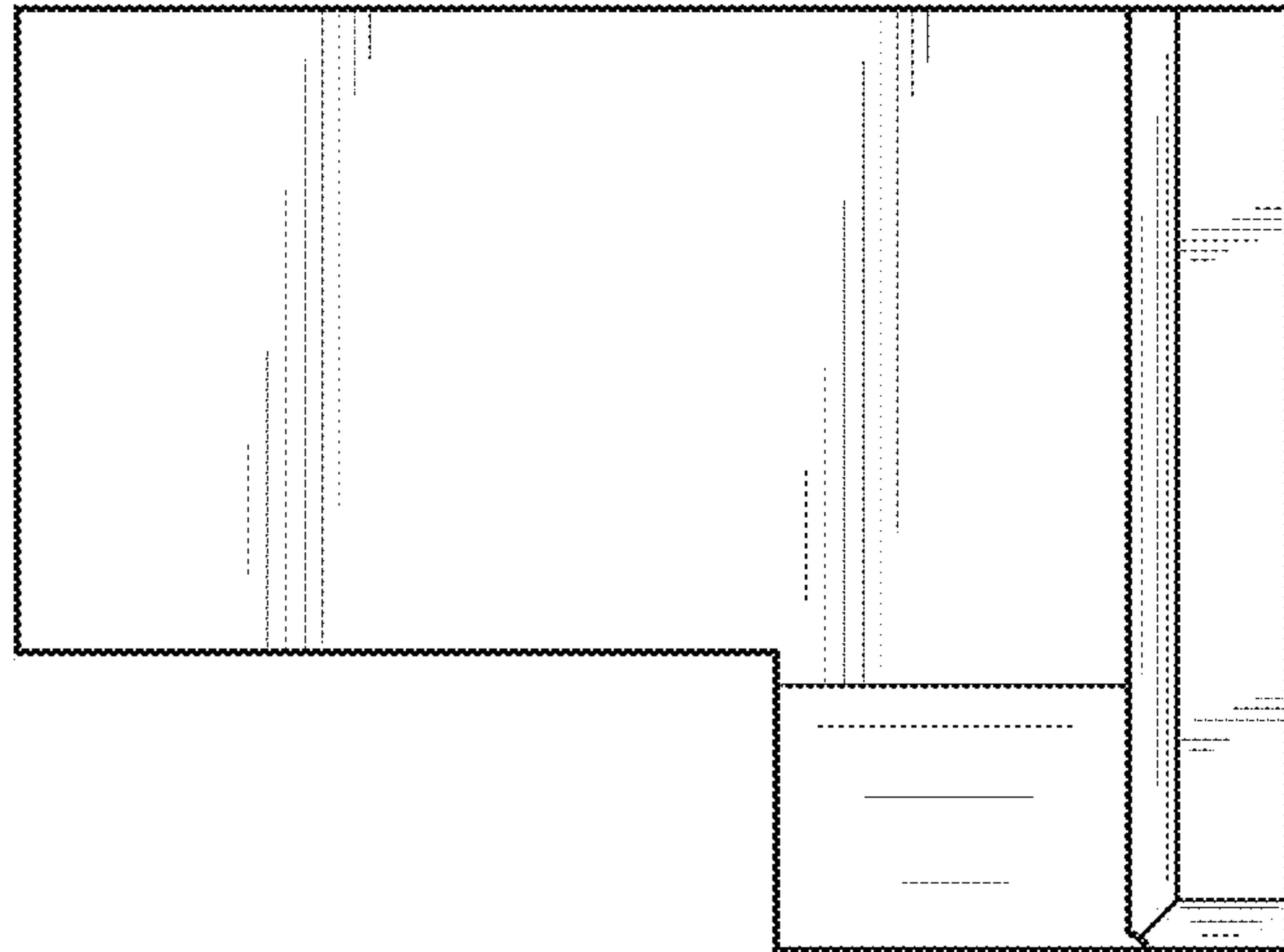
**FIG. 3**



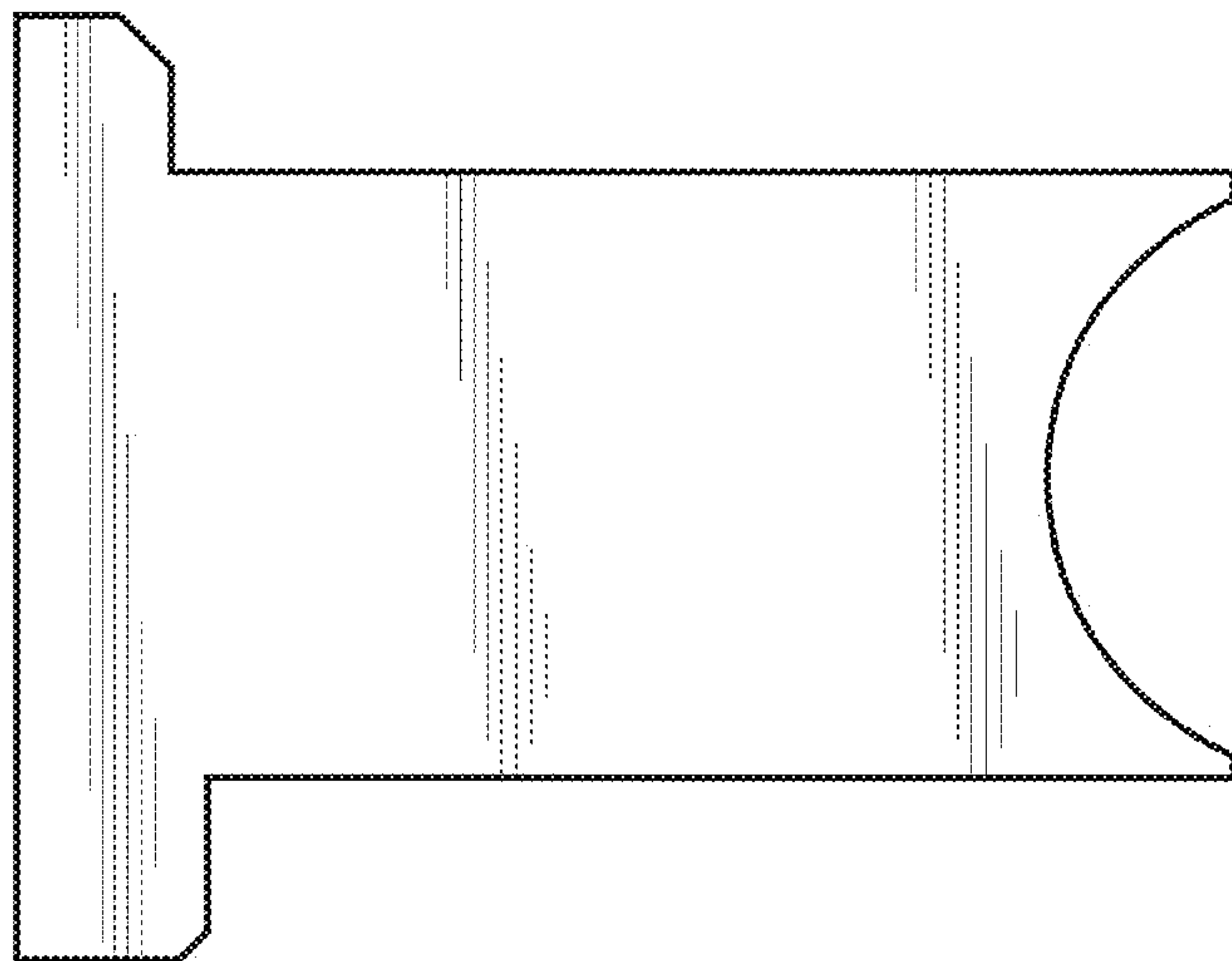
**FIG. 4**



**FIG. 5**



**FIG. 6**



**FIG. 7**

