



US00D753474S

(12) **United States Design Patent**
Rangel

(10) **Patent No.:** **US D753,474 S**
(45) **Date of Patent:** **** Apr. 12, 2016**

(54) **HANGER**
(71) Applicant: **Arthur Rangel**, Topeka, KS (US)
(72) Inventor: **Arthur Rangel**, Topeka, KS (US)
(**) Term: **14 Years**
(21) Appl. No.: **29/504,799**
(22) Filed: **Oct. 9, 2014**
(51) **LOC (10) Cl.** **08-05**
(52) **U.S. Cl.**
USPC **D8/373**
(58) **Field of Classification Search**
USPC D6/315–328, 566; 223/85–98; 211/1,
211/13.1, 85, 85.3, 85.31, 119, 181.1;
248/99; D8/370, 373; D34/6
CPC ... A47G 25/28; A47G 25/746; A47G 25/743;
A47G 25/66; A47G 25/20; A47G 25/30;
A47G 25/24; A47G 25/52; A47G 25/70;
A47G 25/40; A47G 2025/448; A47G
2025/4092; A47G 25/445; A47G 25/62;
A47G 25/0607; B65B 67/12; B65B 67/1205;
B65B 67/1233; B65B 67/1266; B65B 39/06;
A47F 5/01; A47F 5/13; A47F 5/0018; A47F
5/0006; A47F 7/00; A47F 7/06; A47F 7/08;
A47F 7/19; A47F 7/148; A47F 7/24; A47F
5/10; A47F 13/085; A47F 5/0031; A47F
1/121
See application file for complete search history.

1,929,284 A * 10/1933 Misbach A47G 25/20
223/83
2,117,689 A * 5/1938 Tatsch A47G 29/06
248/153
2,471,309 A * 5/1949 Chandler A61G 7/0503
248/302
D180,823 S * 8/1957 Erdmann D20/10
D184,592 S * 3/1959 Yetter D8/373
2,889,935 A * 6/1959 Thornburg A47G 25/10
211/119
D194,231 S * 12/1962 Hill D8/373
D201,025 S * 5/1965 Westervelt D6/317
3,923,162 A * 12/1975 Hussey A47F 5/14
211/119
4,624,496 A * 11/1986 Bengtson A63C 11/023
211/34
4,672,703 A * 6/1987 Frazier A47C 21/003
211/119
4,761,029 A * 8/1988 Woodcock A63C 11/023
294/148
D354,645 S * 1/1995 Green D6/566
D362,577 S * 9/1995 Green D6/566
D481,208 S * 10/2003 Scola D6/317
D483,539 S * 12/2003 Keogh D34/10
D506,076 S * 6/2005 Weisgerber D6/317
D580,662 S * 11/2008 Varela D6/317
D675,801 S * 2/2013 Castro D34/6

* cited by examiner

Primary Examiner — Derrick Holland

Assistant Examiner — Lauren Calve

(74) *Attorney, Agent, or Firm* — Intellectual Property Center, LLC; Arthur K. Shaffer

(56) **References Cited**

U.S. PATENT DOCUMENTS

481,957 A * 9/1892 Klank B65B 67/12
248/99
528,601 A * 11/1894 Koenig A47G 25/30
223/92
588,560 A * 8/1897 Evans A47G 25/483
2/217
1,106,137 A * 8/1914 Doyle A47G 25/66
223/63
1,195,041 A * 8/1916 Lendle A47G 25/28
223/85
1,220,382 A * 3/1917 Wellington A47G 25/487
223/91
1,819,713 A * 8/1931 Klein A47J 47/20
248/212

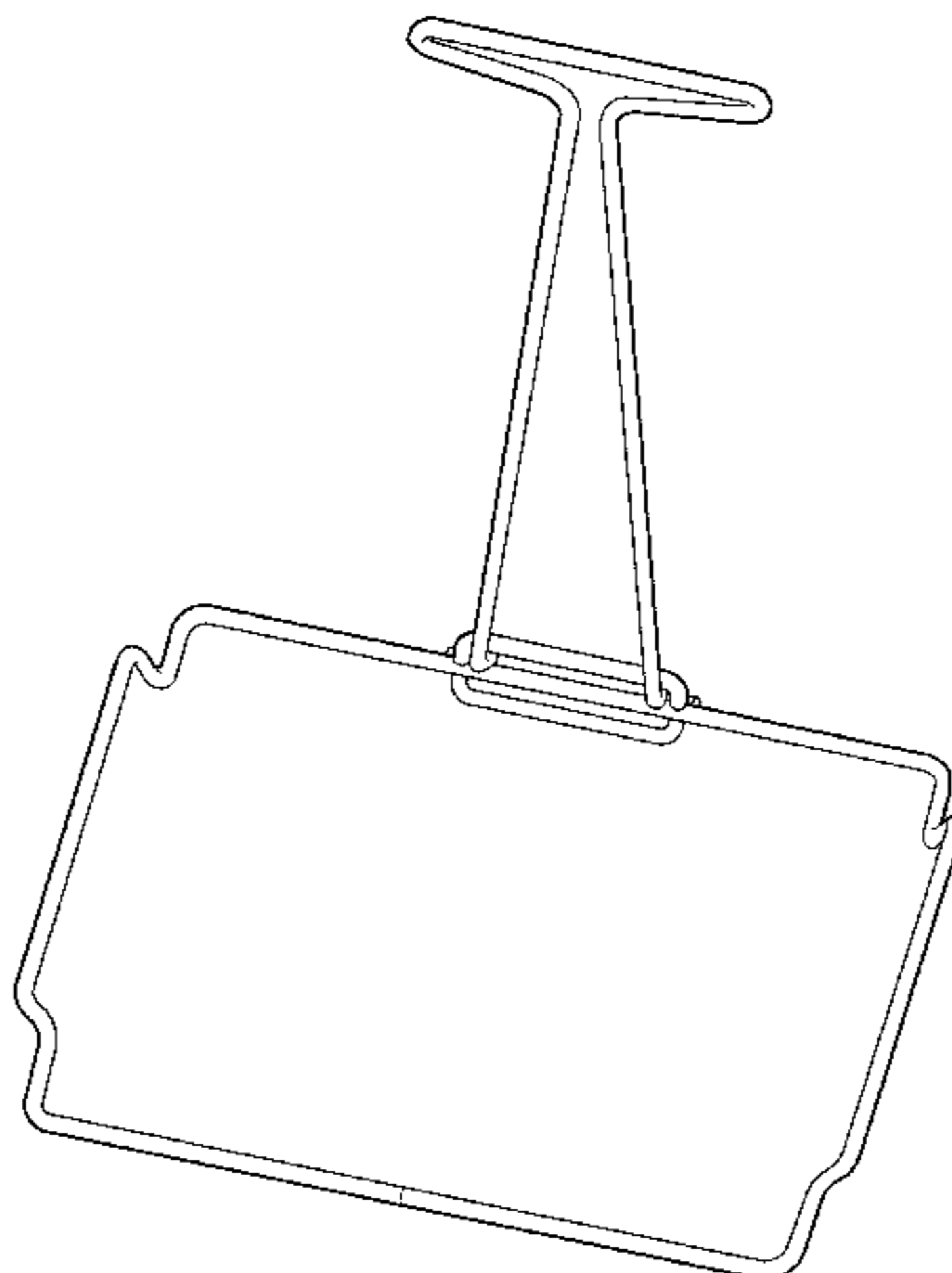
(57) **CLAIM**

The ornamental design for a hanger, as shown and described.

DESCRIPTION

FIG. 1 is a top perspective view of a hanger in accordance with the present invention;
FIG. 2 is a top perspective view thereof shown in an alternative configuration;
FIG. 3 is a rear elevation thereof;
FIG. 4 is a front elevation thereof;
FIG. 5 is a top plan view thereof;
FIG. 6 is a bottom plan view thereof; and,
FIG. 7 is a left side elevation view thereof, the right side elevation view being a mirror image thereof.

1 Claim, 7 Drawing Sheets



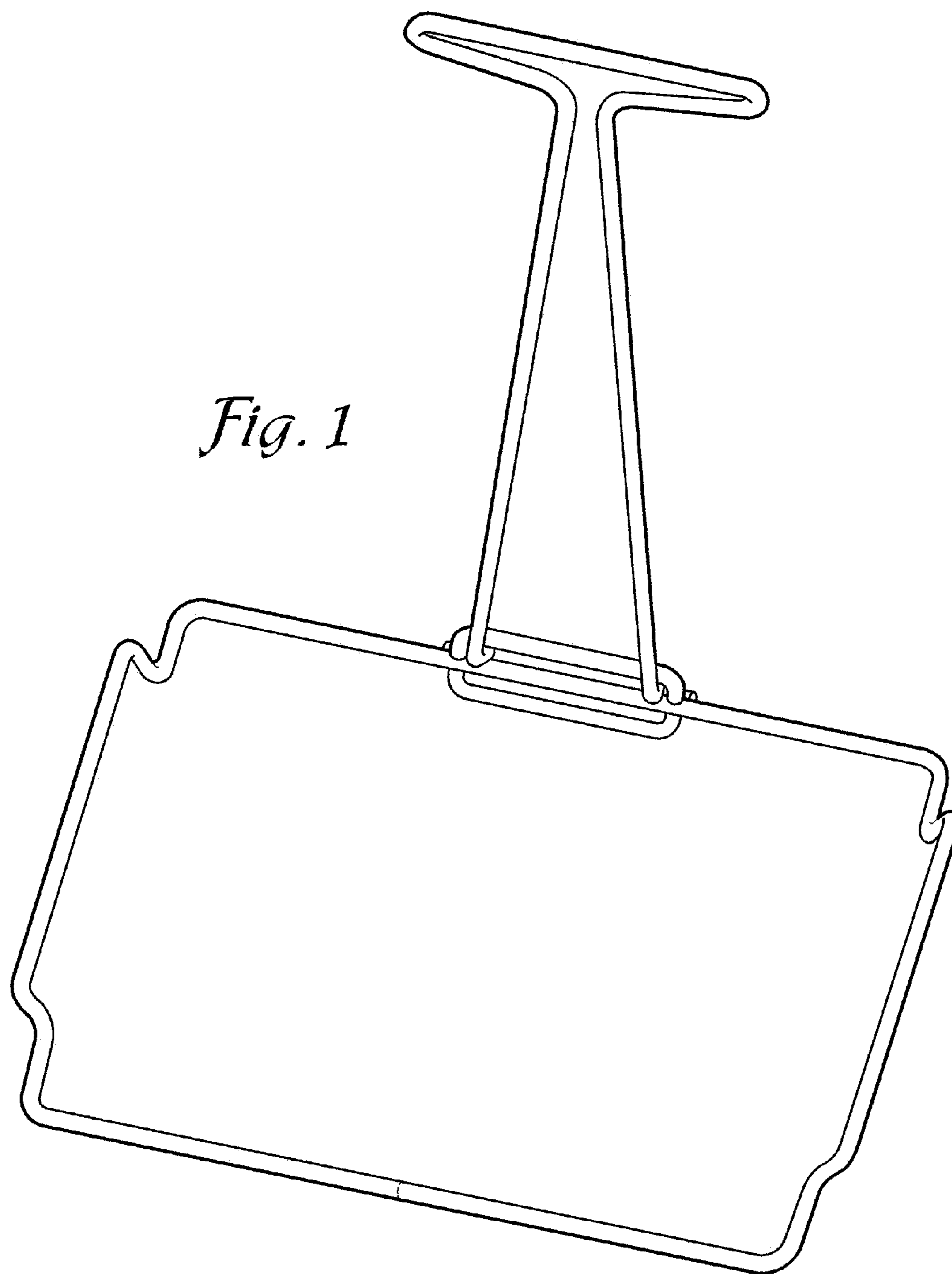
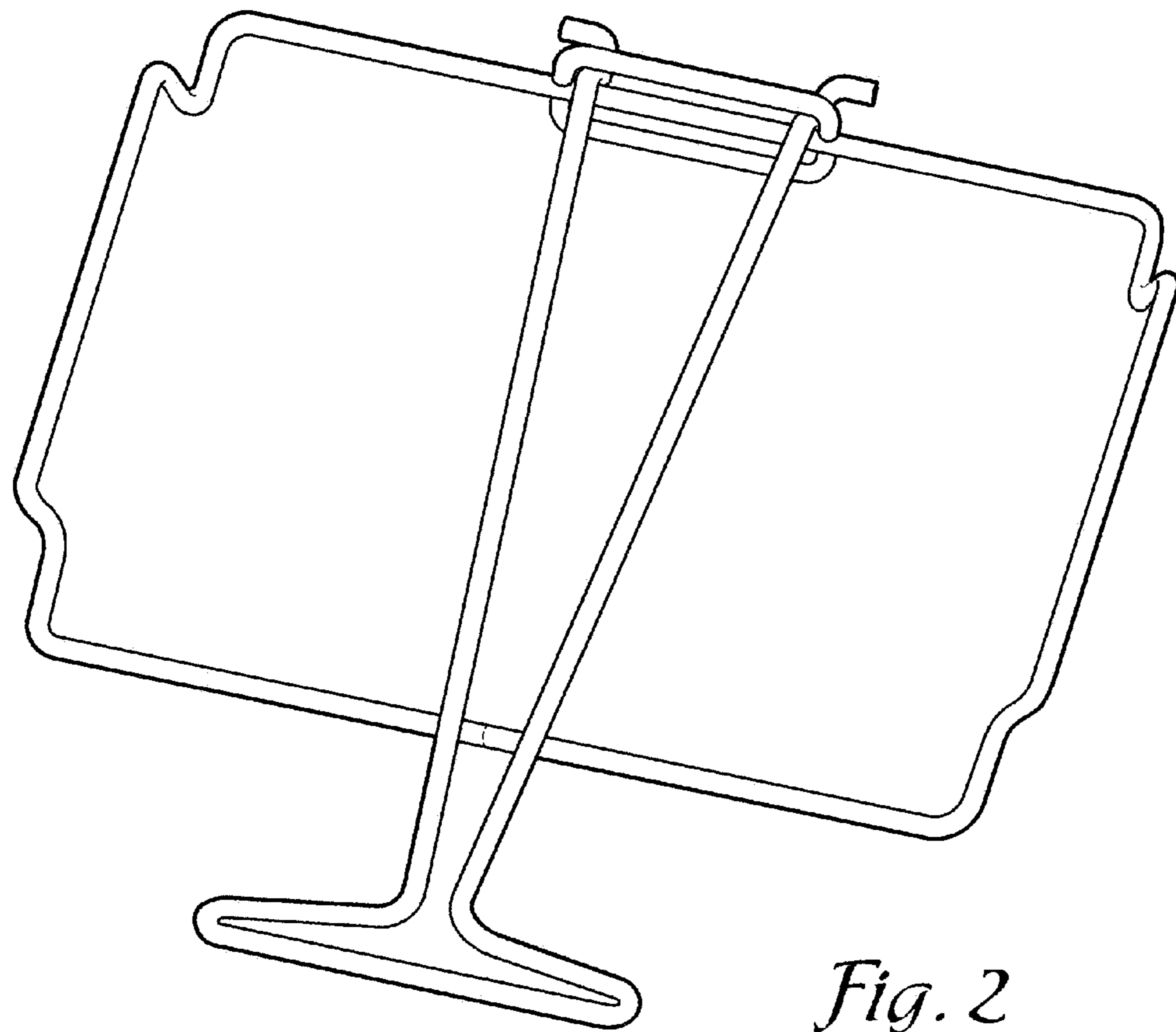


Fig. 1



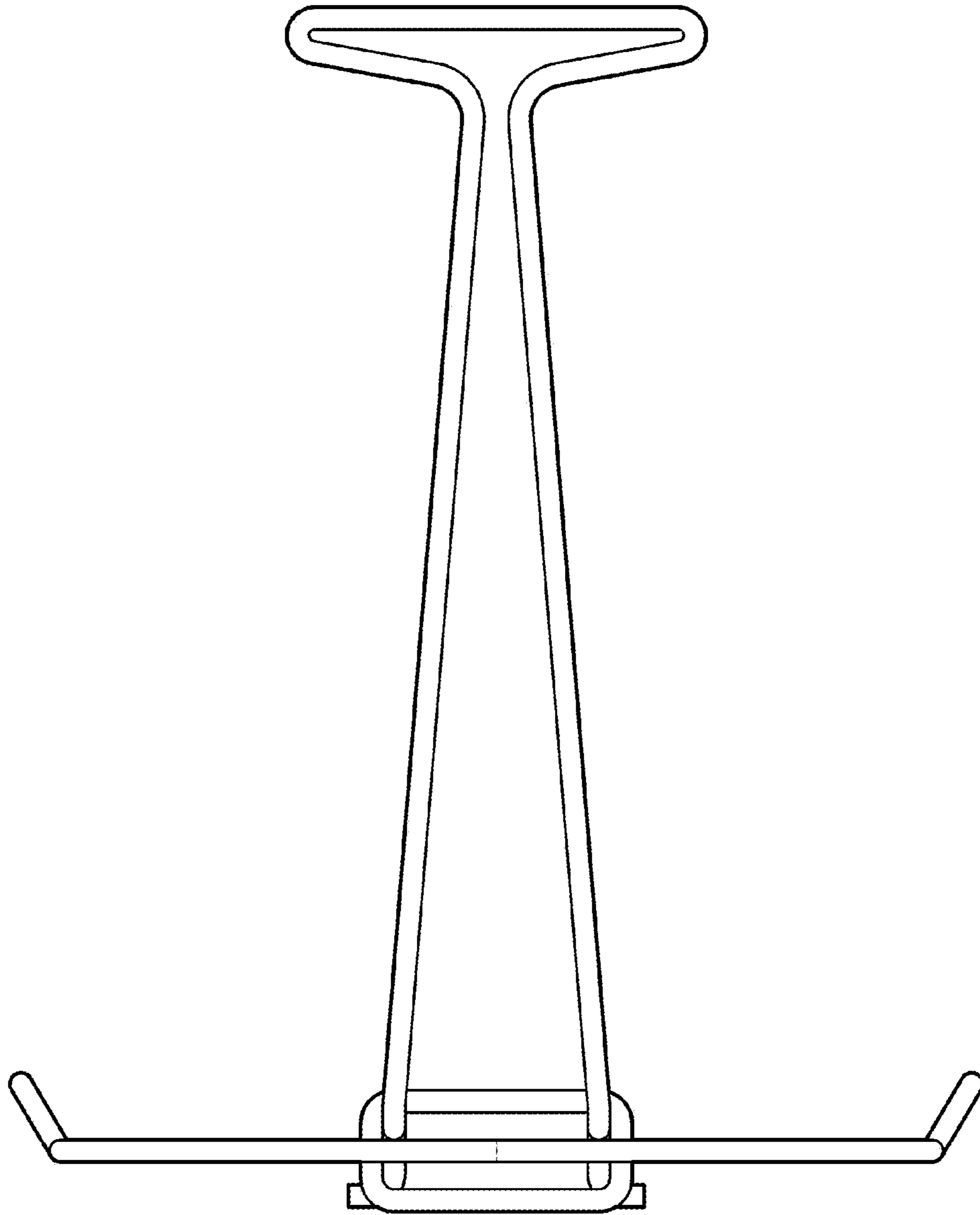


Fig. 3

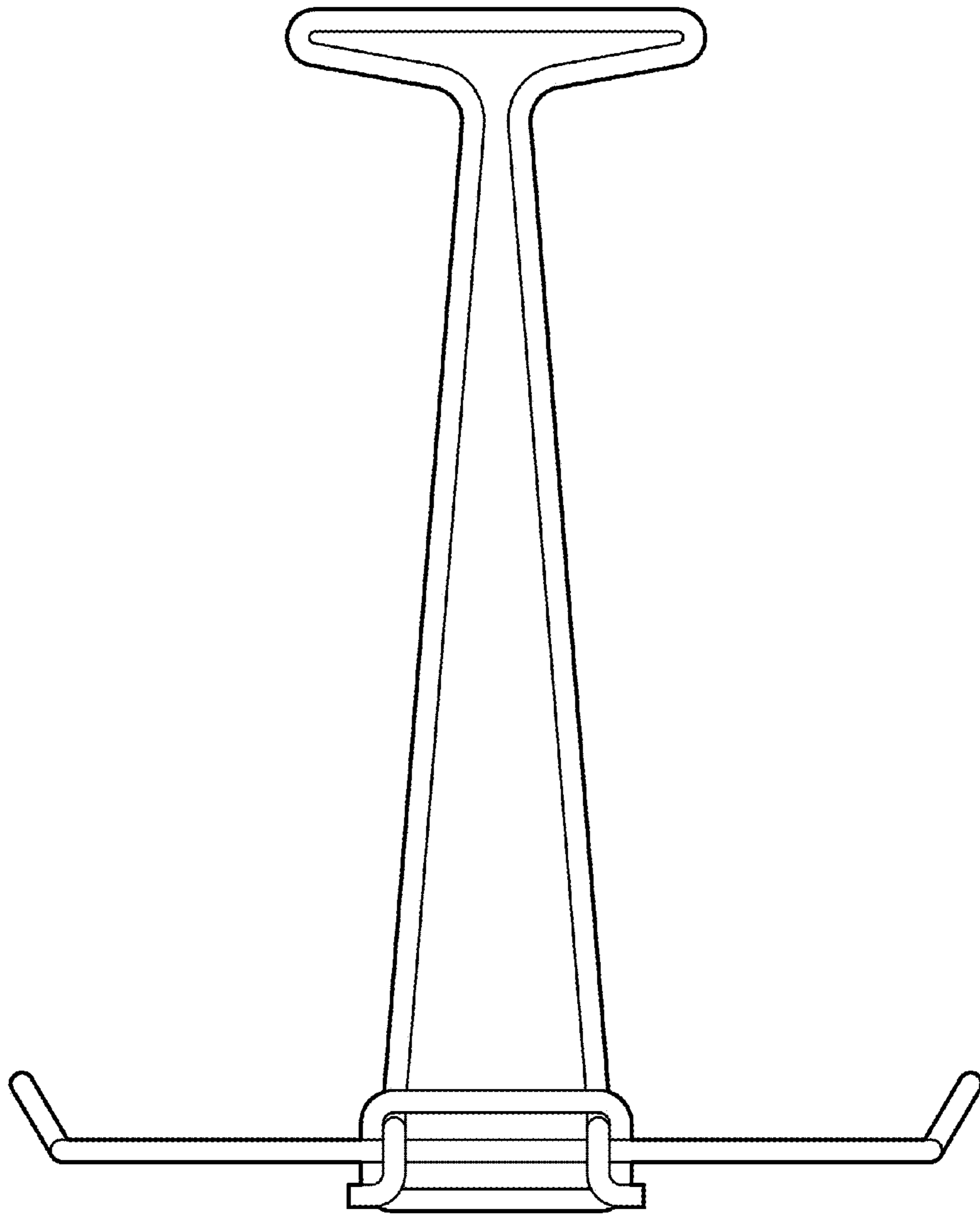


Fig. 4

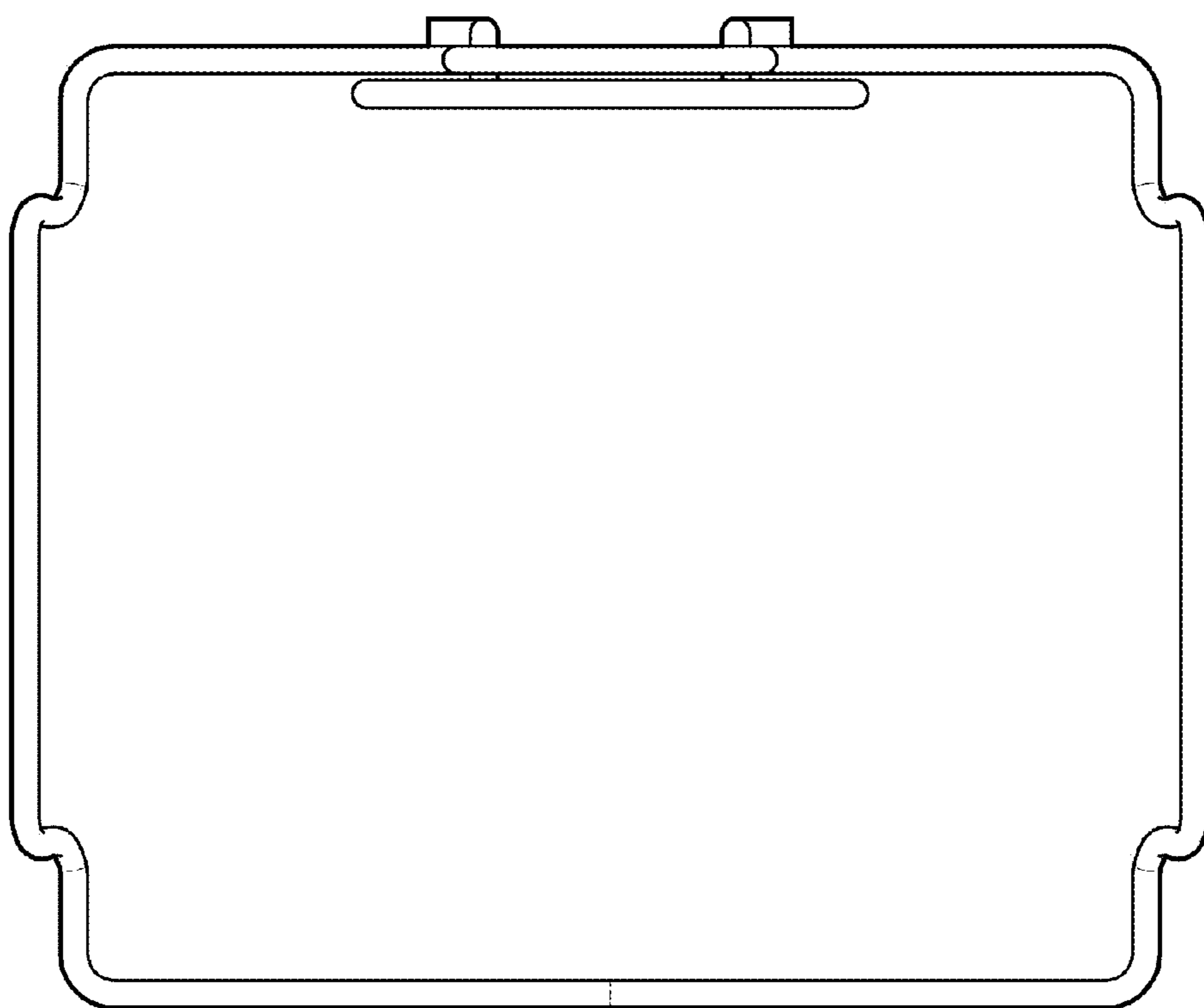


Fig. 5

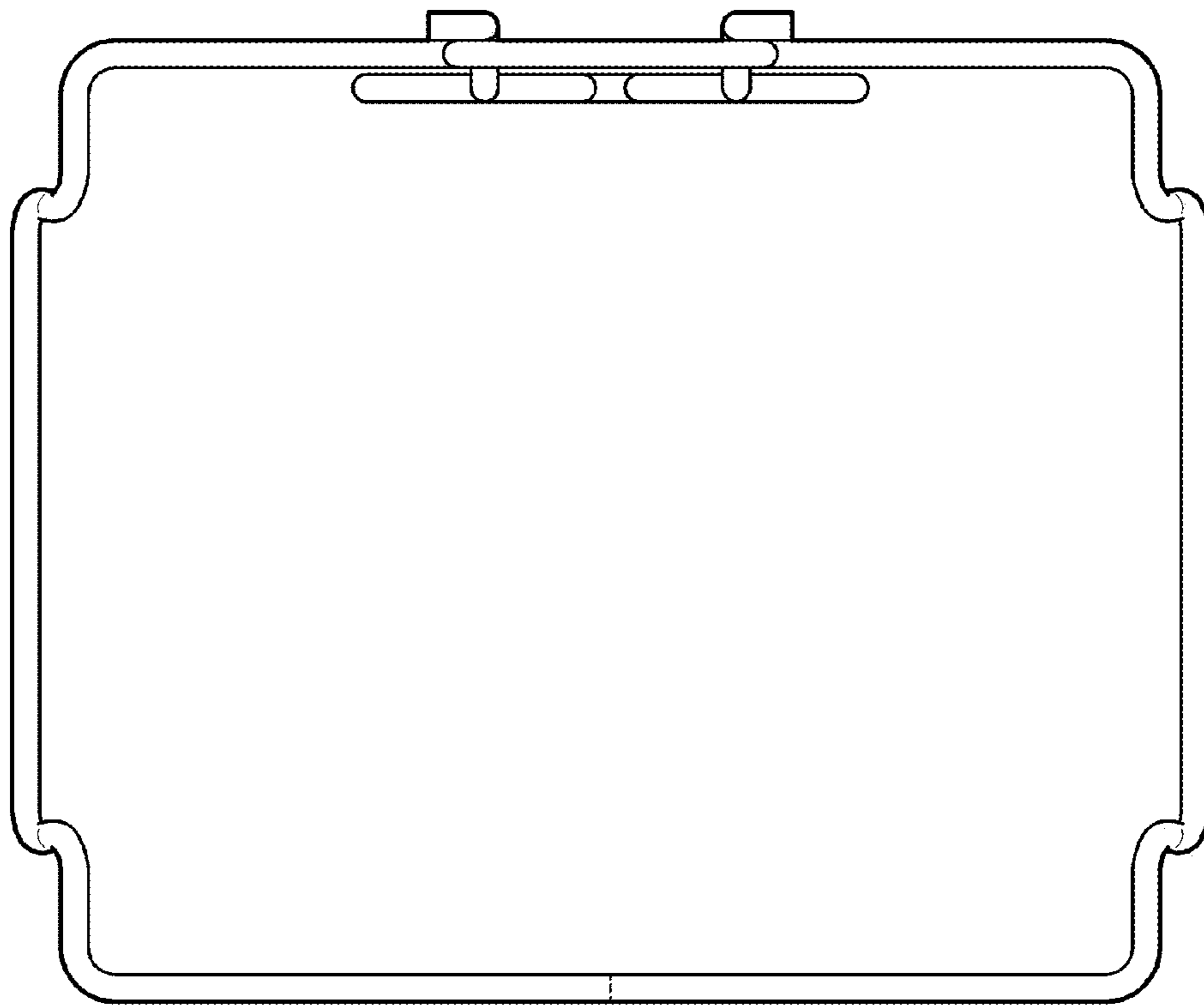


Fig. 6

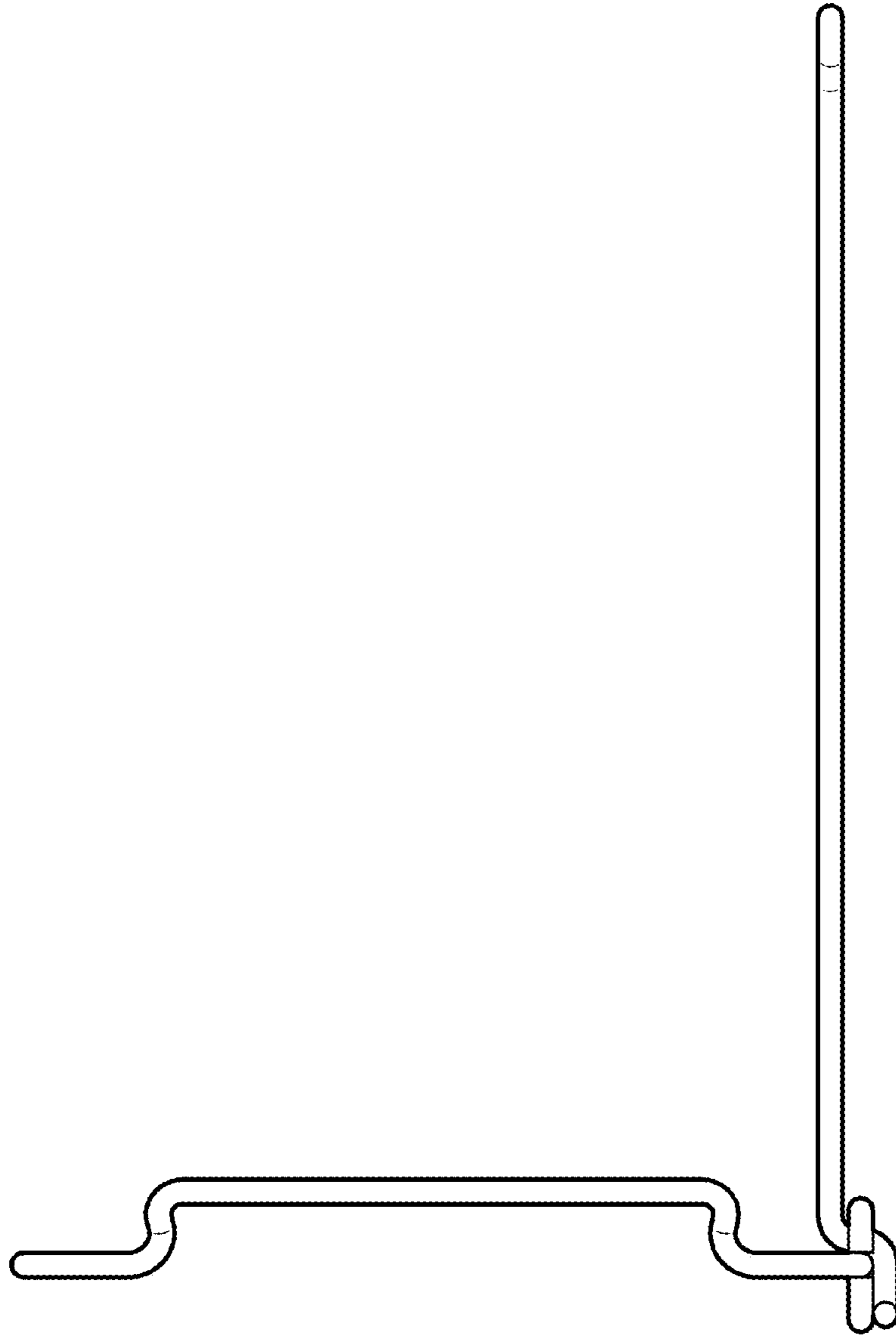


Fig. 7