



US00D753470S

(12) **United States Design Patent**
Paladino

(10) **Patent No.:** **US D753,470 S**
(45) **Date of Patent:** **** Apr. 12, 2016**

- (54) **MULTI-LUG BUNGEE STRAP**
- (71) Applicant: **Christopher Charles Paladino**, Center Ridge, AR (US)
- (72) Inventor: **Christopher Charles Paladino**, Center Ridge, AR (US)
- (**) Term: **14 Years**
- (21) Appl. No.: **29/504,017**
- (22) Filed: **Oct. 1, 2014**
- (51) **LOC (10) CL.** **08-05**
- (52) **U.S. CL.**
USPC **D8/367**
- (58) **Field of Classification Search**
USPC D8/367, 354, 349; 248/301, 302, 303, 248/304, 339; 24/132 R
CPC A47G 25/00; A47G 1/00
See application file for complete search history.

- 8,020,712 B2 * 9/2011 Kopp A42B 1/002 211/118
- 8,167,146 B2 * 5/2012 Yu H05K 7/1491 211/175
- D661,175 S * 6/2012 Dahl D8/349
- D664,098 S * 7/2012 Liang D13/155
- D666,896 S * 9/2012 Pinholster, Jr. D8/356
- 8,464,984 B2 * 6/2013 Laursen F16L 3/221 211/26
- 8,596,588 B1 * 12/2013 Sikkema H02G 3/30 211/70.6
- D700,826 S * 3/2014 Qin D8/367
- D705,740 S * 5/2014 Liang D13/155
- D712,555 S * 9/2014 Berg D24/190
- D719,103 S * 12/2014 Liang D13/155
- 8,985,530 B2 * 3/2015 Jette H02G 3/0443 248/49
- D734,273 S * 7/2015 Chompff D13/155
- 2001/0001340 A1 5/2001 Libecco
- 2011/0154797 A1 * 6/2011 Dahl D07B 1/18 57/200
- 2013/0232732 A1 9/2013 Jacobson

* cited by examiner

Primary Examiner — Cynthia Underwood
(74) *Attorney, Agent, or Firm* — Stephen D. Carver

(56) **References Cited**

U.S. PATENT DOCUMENTS

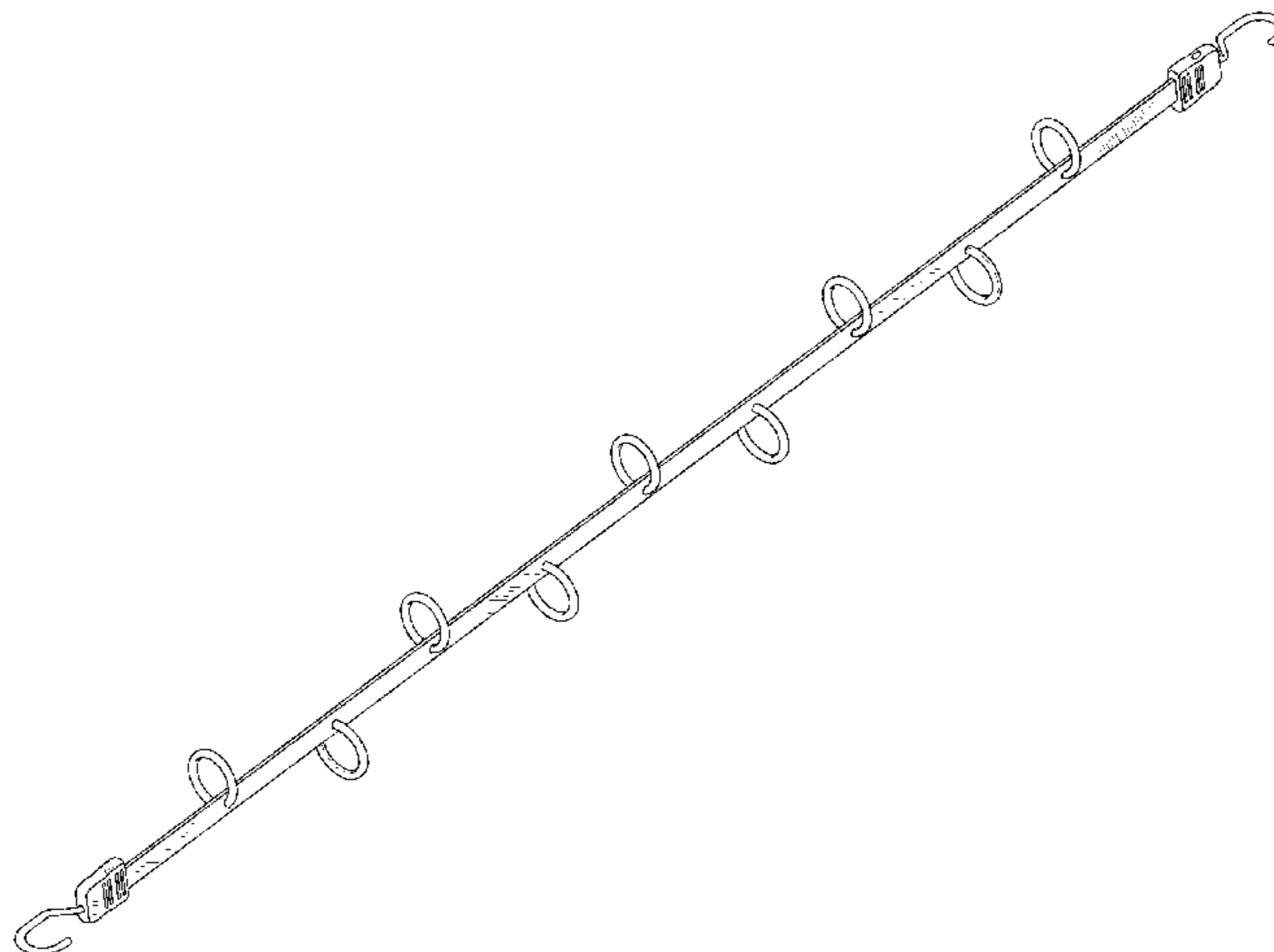
- 2,372,967 A 4/1945 Martin
- 4,251,071 A * 2/1981 Norton A63B 21/0004 482/125
- D267,227 S * 12/1982 Ziaylek, Jr. D8/373
- 4,769,875 A 9/1988 Hartman
- D317,251 S 6/1991 Liang
- D359,629 S * 6/1995 Korkowski D11/164
- 5,673,464 A * 10/1997 Whittaker B60P 7/0823 24/301
- 5,797,167 A 8/1998 Schwab
- 5,921,402 A * 7/1999 Magenheimer H02G 3/26 211/26
- D438,090 S * 2/2001 Friedman D8/349
- 6,364,255 B1 * 4/2002 Carrick H02G 3/0443 248/49
- D468,699 S * 1/2003 Bjorklund D13/155
- 6,807,715 B1 10/2004 Blair
- 7,077,688 B2 * 7/2006 Peng H02G 3/32 248/68.1
- D568,254 S * 5/2008 Patchett D13/155
- D580,257 S * 11/2008 Squyres D8/349
- D624,391 S * 9/2010 Arendt D8/349
- 7,805,816 B1 * 10/2010 Thorne, III B60P 7/0807 24/265 H

(57) **CLAIM**
The ornamental design for a multi-lug bungee strap, as shown and described.

DESCRIPTION

FIG. 1 is a forward isometric view of my multi-lug bungee strap;
FIG. 2 is a rearward isometric view thereof;
FIG. 3 is a top plan view thereof;
FIG. 4 is a bottom plan view thereof;
FIG. 5 is a left side elevational view thereof, as viewed from a position to the left of FIG. 2;
FIG. 6 is a right side elevational view thereof, as viewed from a position to the right of FIG. 2;
FIG. 7 is an enlarged end view thereof taken generally along line 7-7 of FIG. 3; and,
FIG. 8 is an enlarged end view taken generally along line 8-8 of FIG. 3.

1 Claim, 5 Drawing Sheets



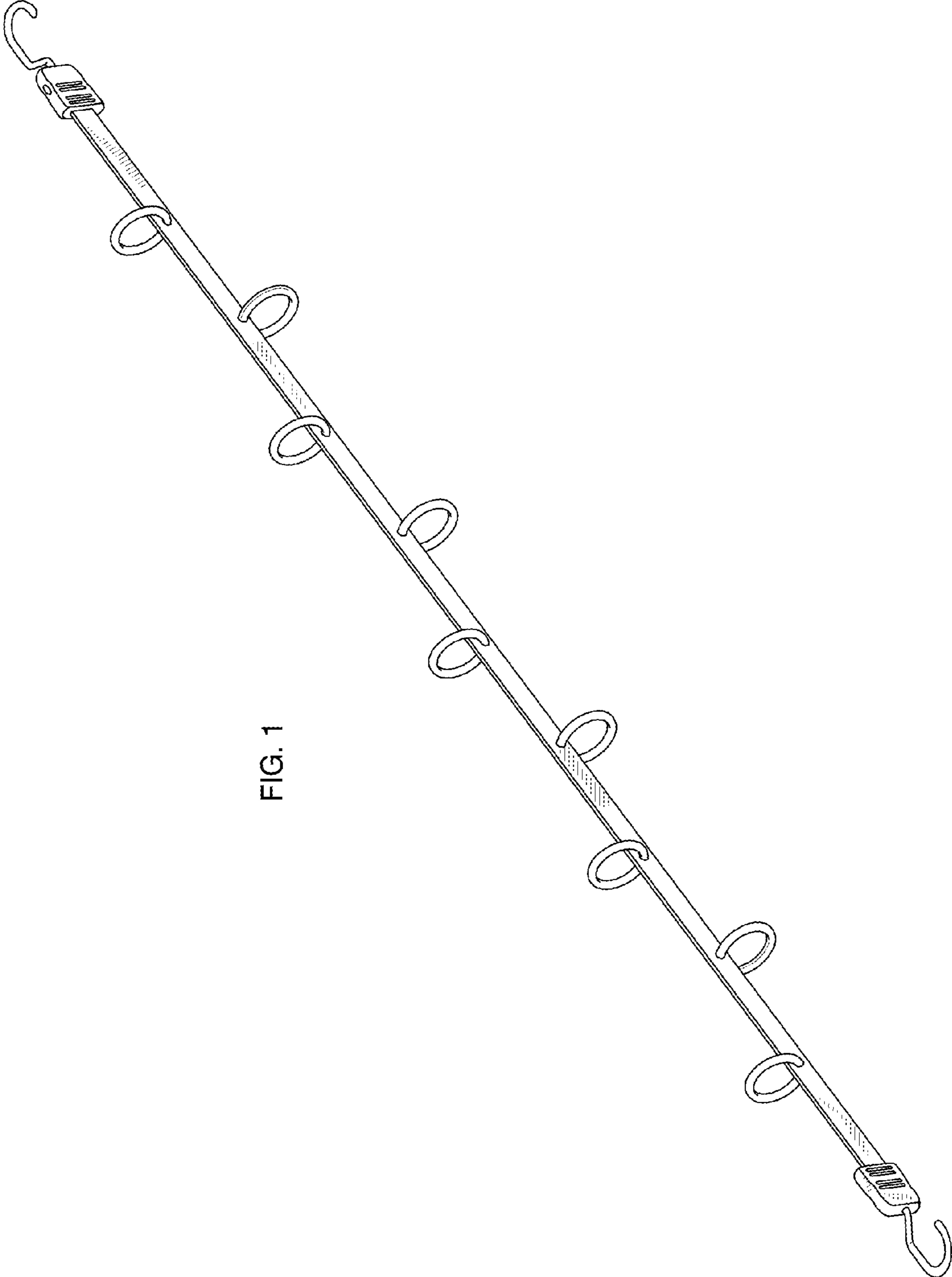


FIG. 1

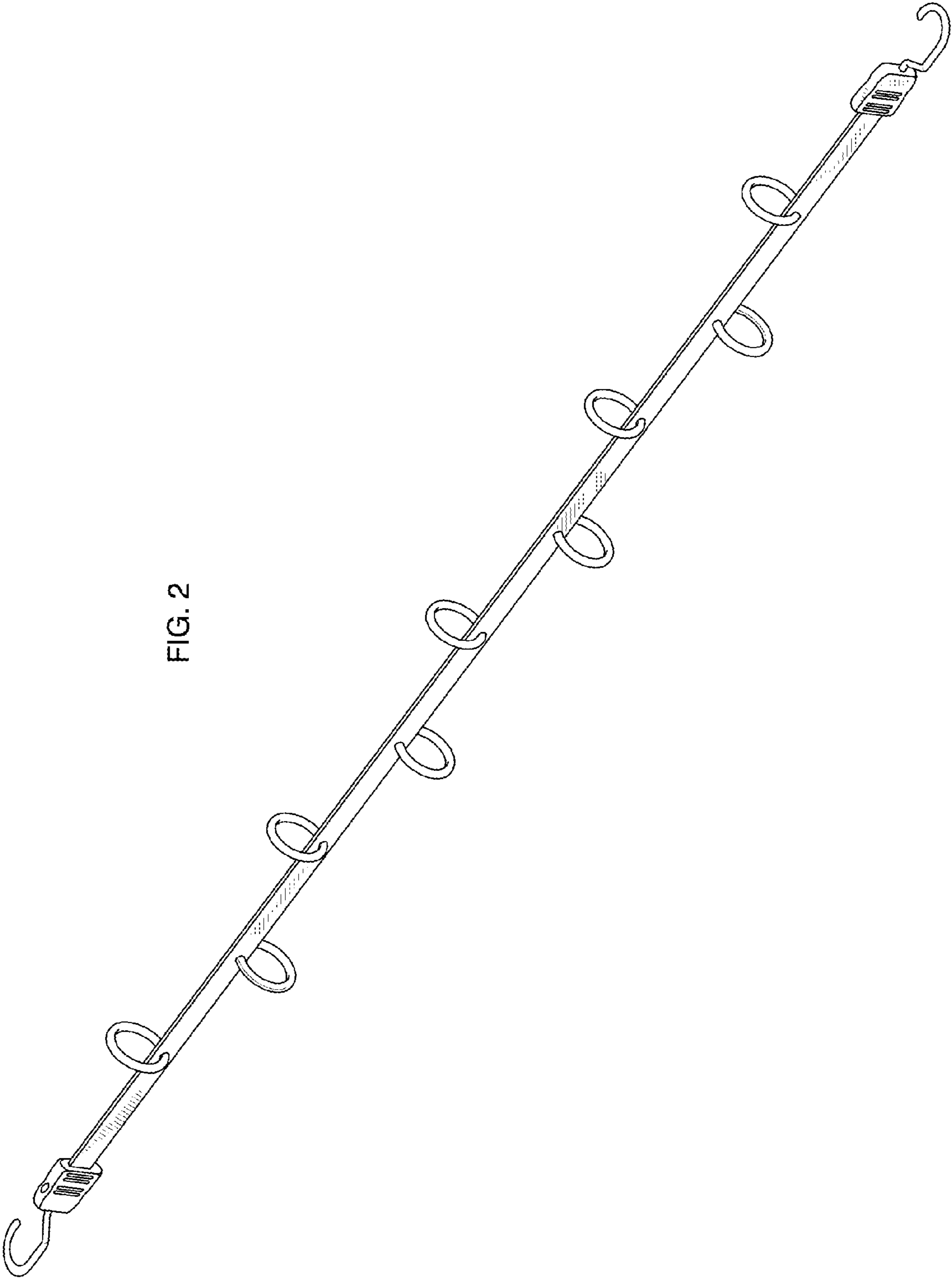


FIG. 2

FIG. 3

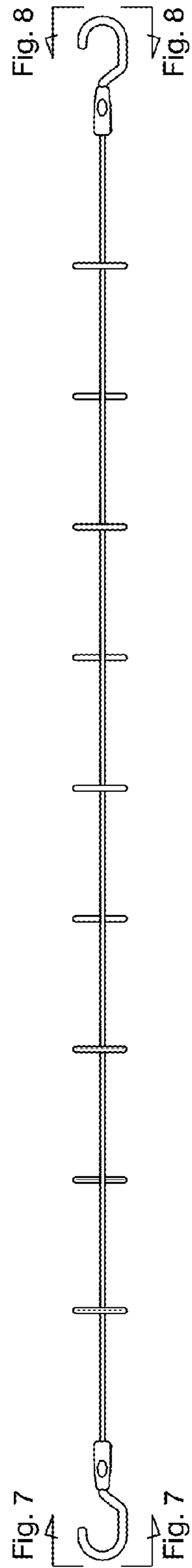


FIG. 4

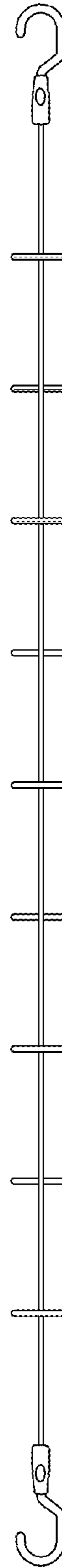


FIG. 5

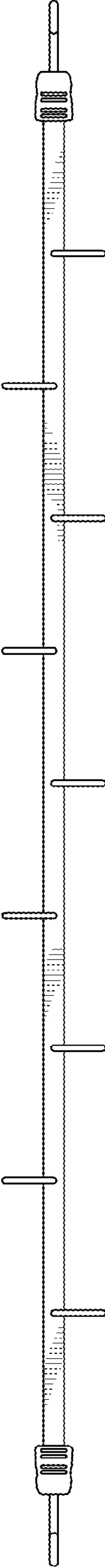


FIG. 6

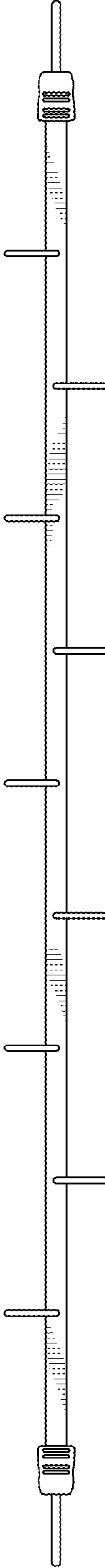


FIG. 7

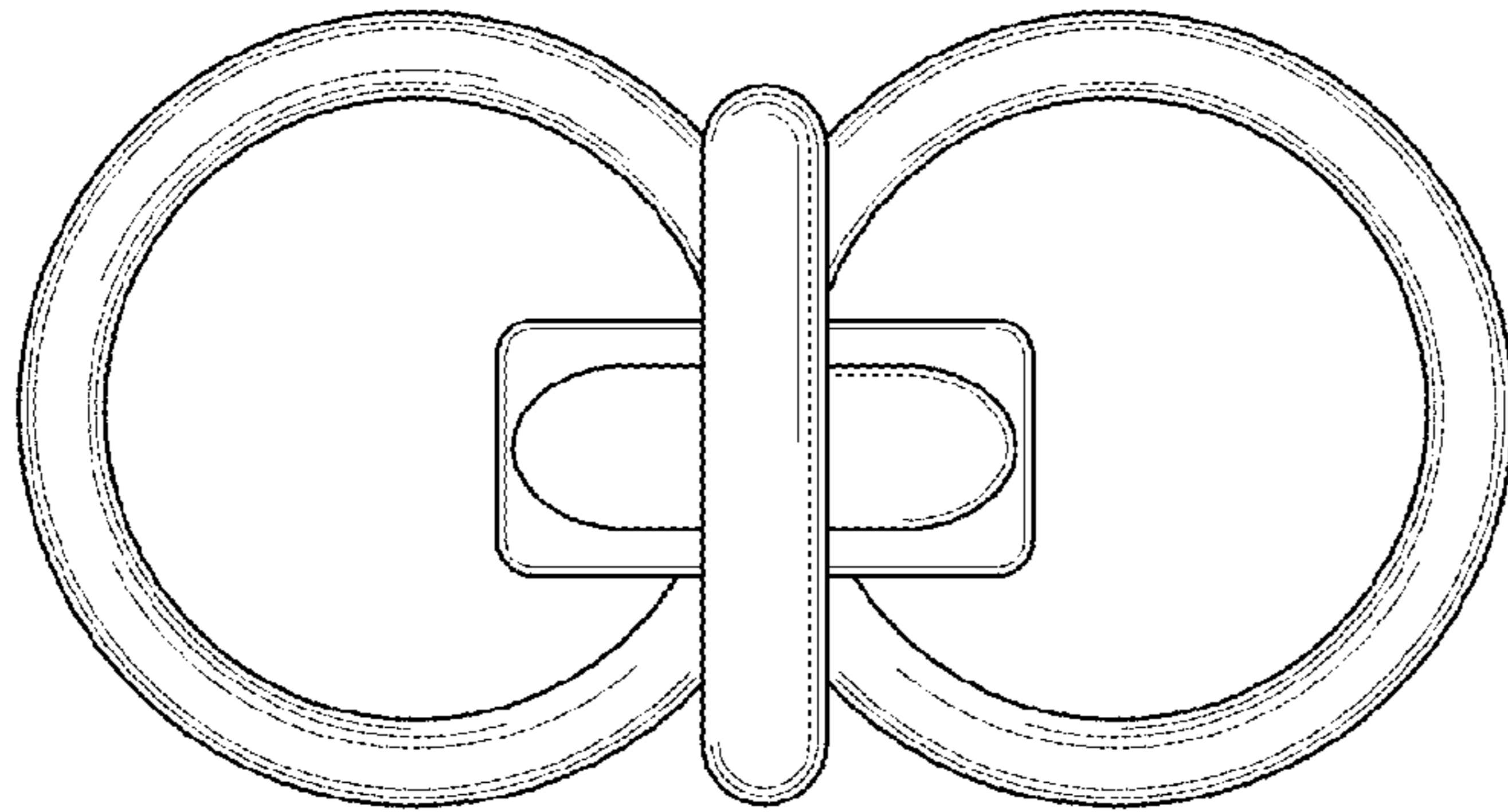


FIG. 8

