



US00D753468S

(12) **United States Design Patent**
Weger

(10) **Patent No.:** **US D753,468 S**
(45) **Date of Patent:** **** Apr. 12, 2016**

(54) **SUPPORT FOR INSULATED PIPE OR TUBE**

(71) Applicant: **ZSI, Inc.**, Canton, MI (US)

(72) Inventor: **Kris Weger**, Plymouth, MI (US)

(73) Assignee: **ZSI, Inc.**, Canton, MI (US)

(**) Term: **14 Years**

(21) Appl. No.: **29/515,644**

(22) Filed: **Jan. 26, 2015**

6,972,367	B2 *	12/2005	Federspiel	H02G 3/0418
					174/481
D590,926	S *	4/2009	Crain	D23/266
7,815,152	B2 *	10/2010	Beck	G02B 6/4459
					174/68.3
D631,445	S *	1/2011	Dittmer	D13/155
7,896,295	B2 *	3/2011	Beck	G02B 6/4459
					248/49
D639,147	S *	6/2011	Surles	D8/356
D649,864	S *	12/2011	Symons	D8/356
D687,546	S *	8/2013	Baid	D24/128
D689,824	S *	9/2013	Ng	D13/155
D726,888	S *	4/2015	Johansen	D23/267
D743,541	S *	11/2015	Serafini	D24/128

* cited by examiner

(51) **LOC (10) Cl.** **08-06**

(52) **U.S. Cl.**
USPC **D8/356**

(58) **Field of Classification Search**
USPC D8/356, 354, 349
CPC .. H01R 13/518; A61B 6/0421; H02G 3/0418;
H02G 9/065; G02B 6/4459

See application file for complete search history.

Primary Examiner — Cynthia Underwood
(74) *Attorney, Agent, or Firm* — Harness, Dickey & Pierce, P.L.C.

(57) **CLAIM**

The ornamental design for an support for insulated pipe or tube, as shown and described.

DESCRIPTION

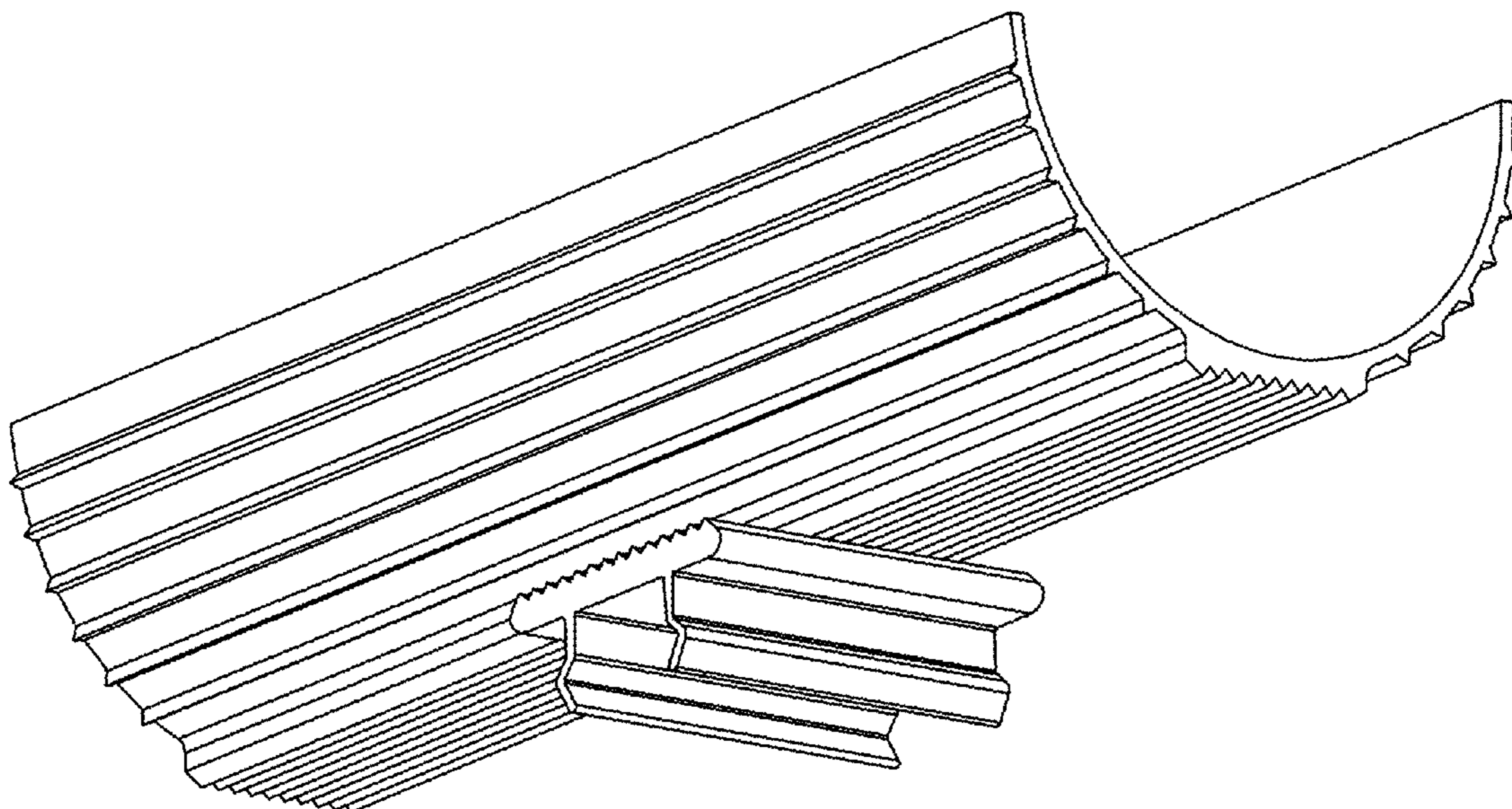
FIG. 1 is a front perspective view of an support for insulated pipe or tube;
FIG. 2 is a front view of the support for insulated pipe or tube of FIG. 1;
FIG. 3 is a left side view of the support for insulated pipe or tube, the right side being a mirror image.
FIG. 4 is a top view of the support for insulated pipe or tube of FIG. 1; and,
FIG. 5 is a bottom view of the support for insulated pipe or tube of FIG. 1.

(56) **References Cited**

U.S. PATENT DOCUMENTS

5,215,280	A *	6/1993	Tigrett	H02G 9/065
					174/68.3
D361,153	S *	8/1995	Fernandes	D13/155
D375,449	S *	11/1996	Dahlberg	D8/349
D378,731	S *	4/1997	Kopish	D13/155
D404,637	S *	1/1999	Nagato	D8/354
D430,543	S *	9/2000	Rohder	D13/155
D450,564	S *	11/2001	Kane	D8/356
D490,691	S *	6/2004	Buss	D8/356
D513,168	S *	12/2005	Chu	D8/356

1 Claim, 4 Drawing Sheets



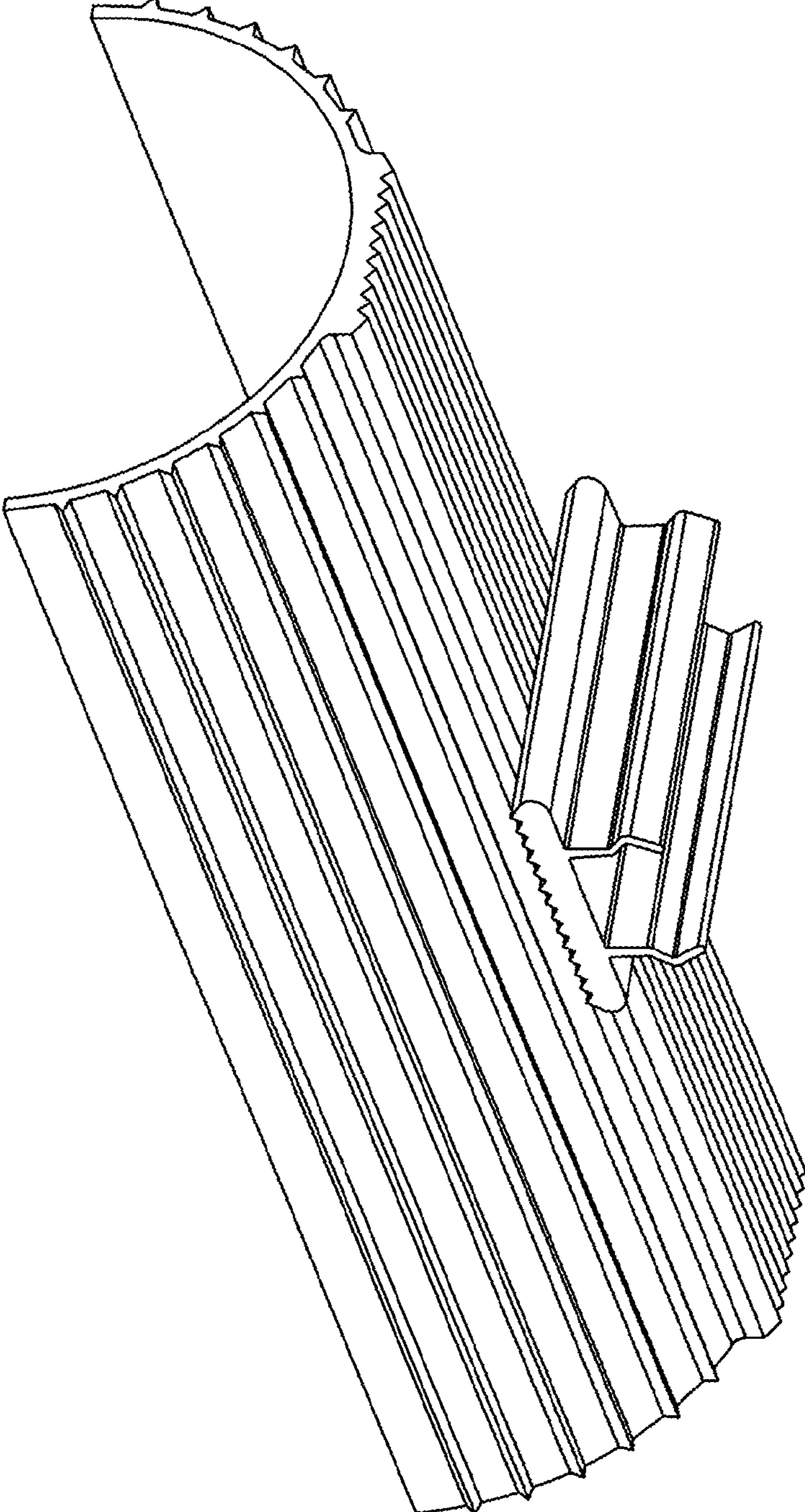


FIG 1

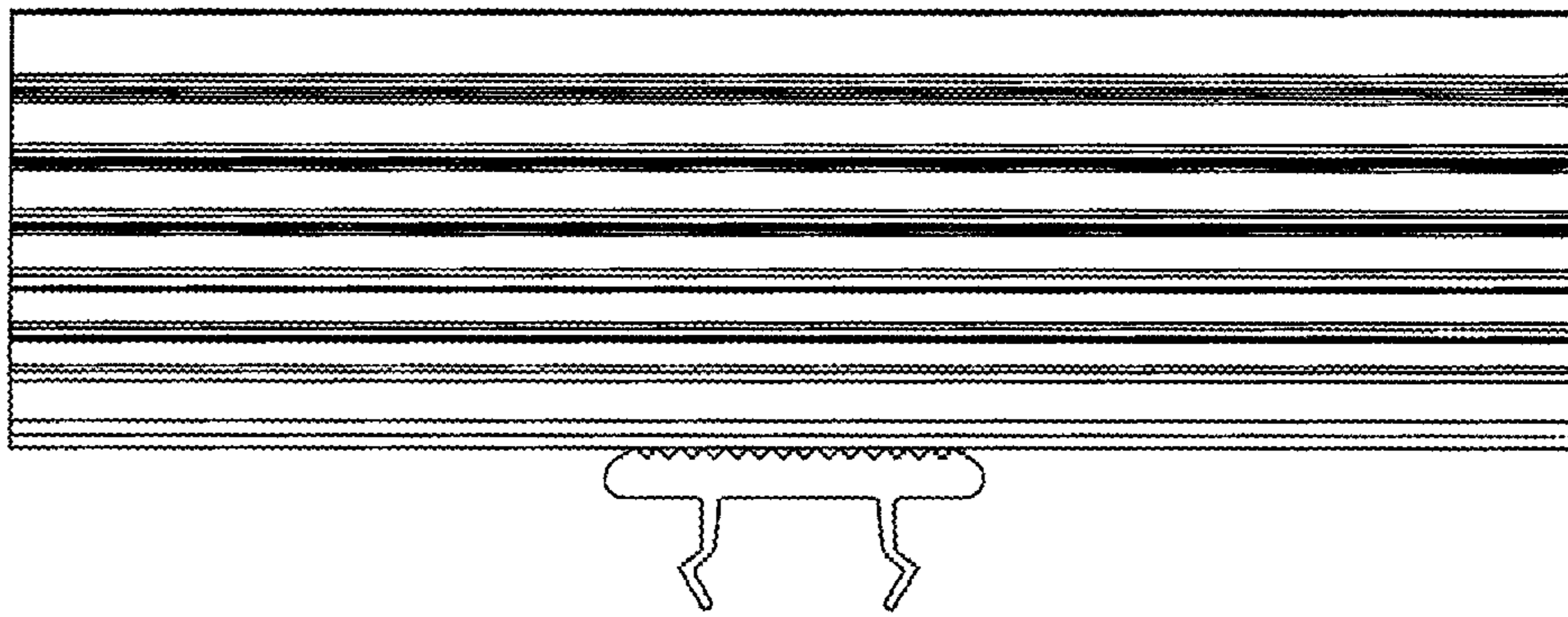


FIG 2

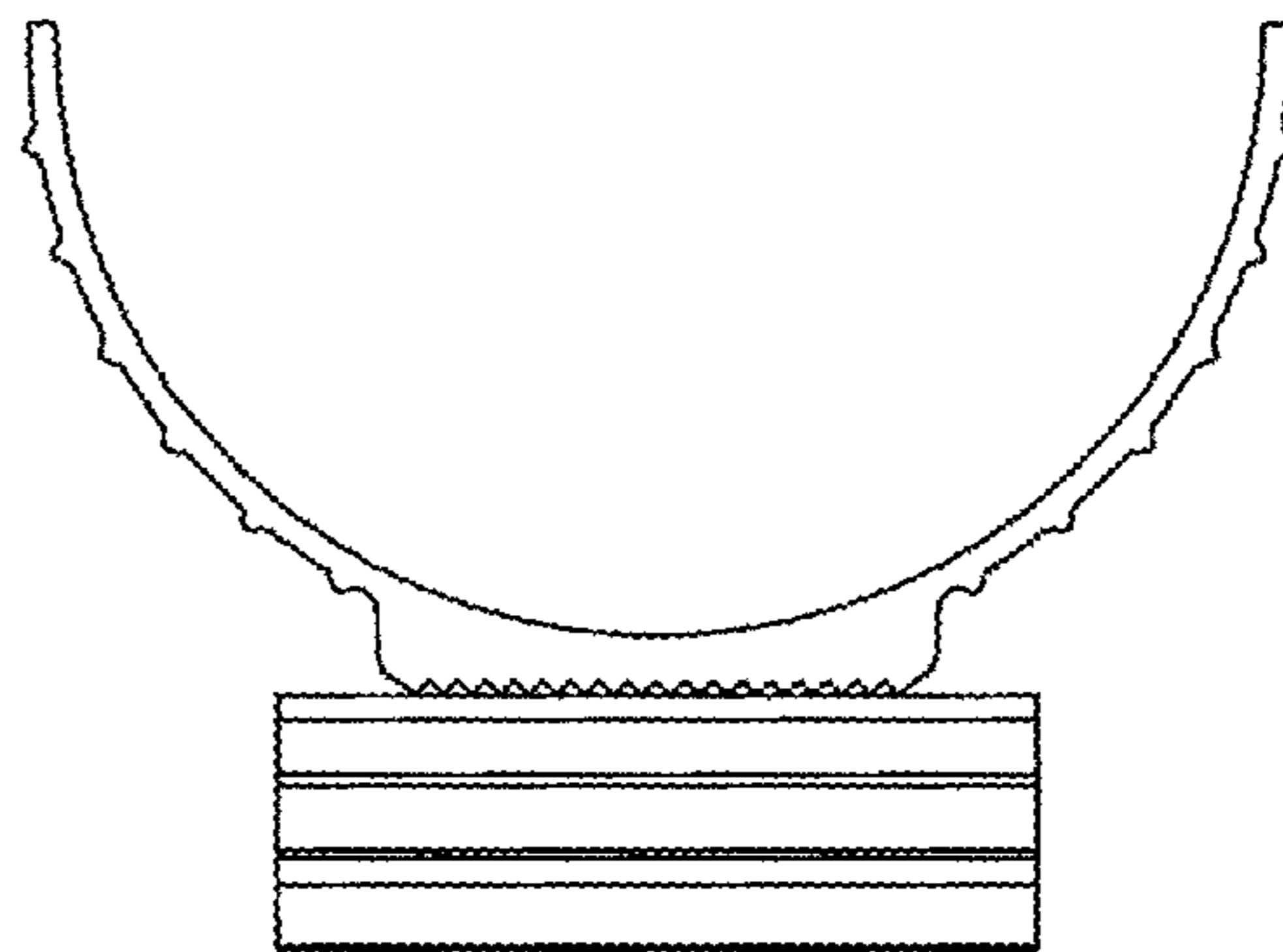


FIG 3

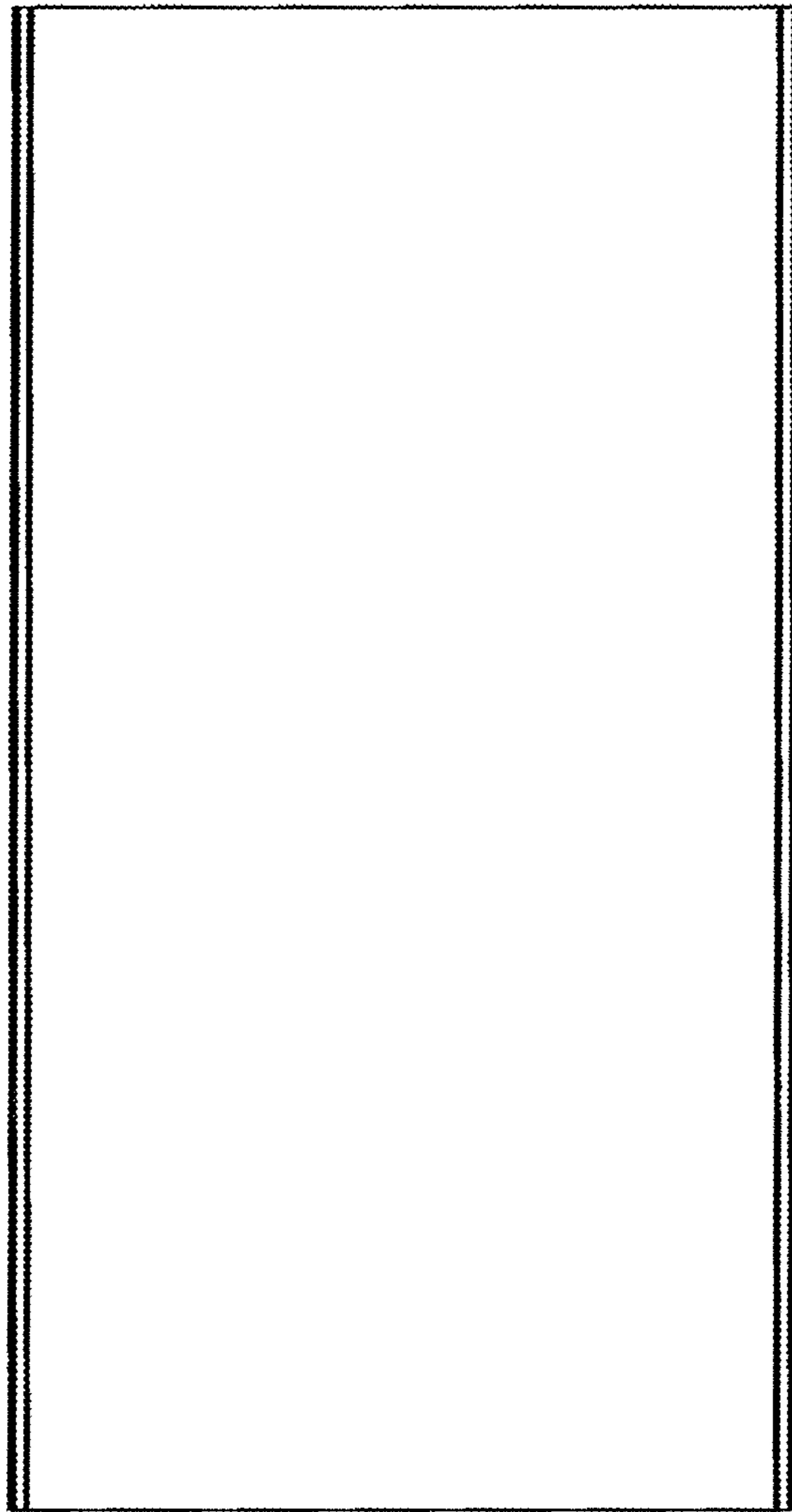


FIG 4

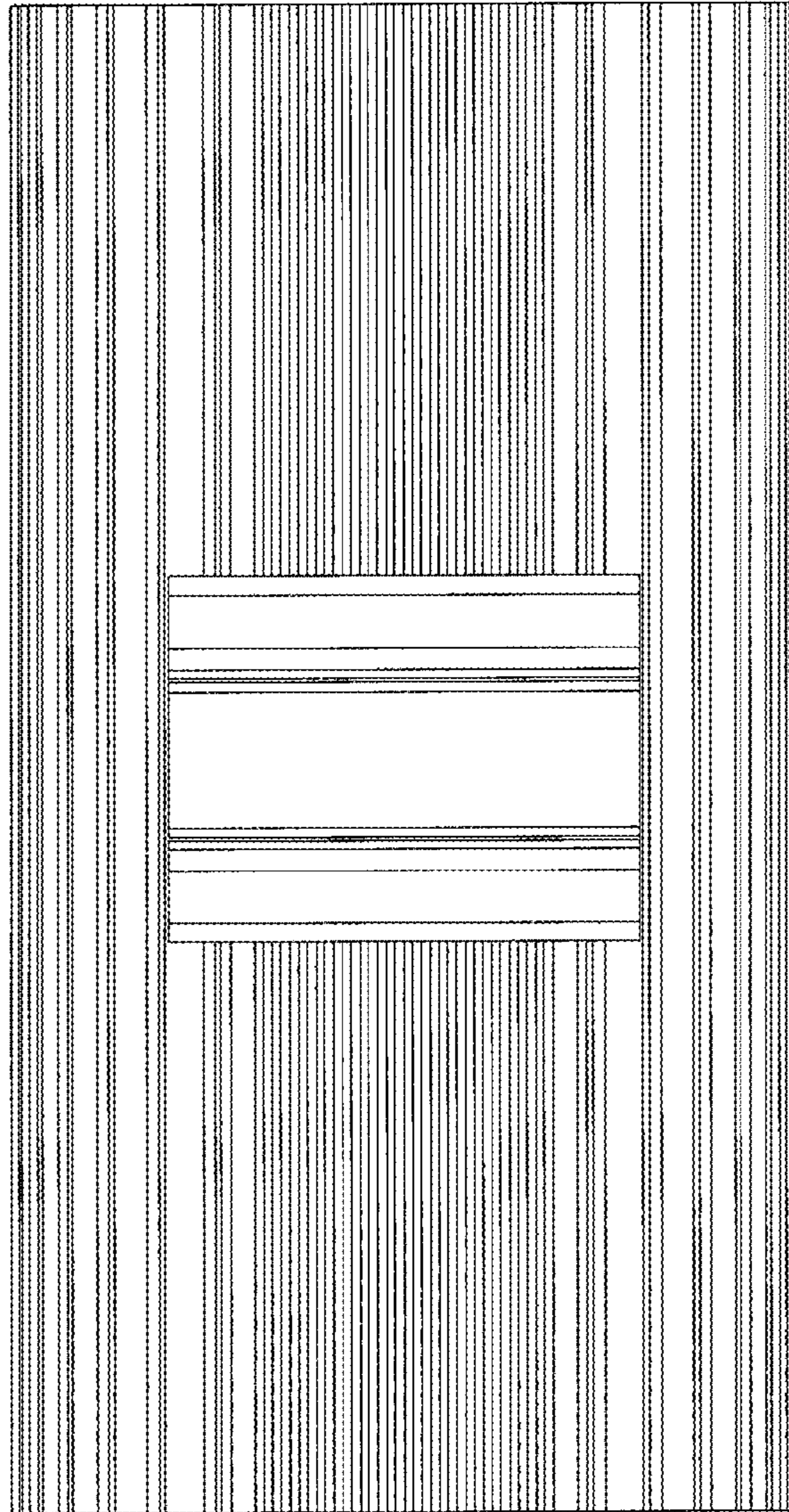


FIG 5