



US00D753466S

(12) **United States Design Patent**
Blackard

(10) **Patent No.:** **US D753,466 S**
(45) **Date of Patent:** **** *Apr. 12, 2016**

(54) **OPTICAL FIBER MANAGEMENT BRACKET**

(75) Inventor: **Stephen R. Blackard**, Garland, TX (US)

(73) Assignee: **NITRO FIBER**, Addison, TX (US)

(*) Notice: This patent is subject to a terminal disclaimer.

(**) Term: **14 Years**

(21) Appl. No.: **29/426,354**

(22) Filed: **Jul. 3, 2012**

(51) **LOC (10) Cl.** **08-05**

(52) **U.S. Cl.**
USPC **D8/356; D13/155**

(58) **Field of Classification Search**
USPC D8/349, 354, 356, 364; D13/147, 154,
D13/164; 385/135; 248/674
CPC G02B 6/4452
See application file for complete search history.

(56) **References Cited**

U.S. PATENT DOCUMENTS

5,168,999	A *	12/1992	Lee et al.	206/420
6,170,784	B1 *	1/2001	MacDonald et al.	248/65
7,077,688	B2 *	7/2006	Peng	439/471
7,200,317	B2	4/2007	Reagan	
7,302,153	B2	11/2007	Thom	
7,369,741	B2	5/2008	Reagan	
7,400,816	B2	7/2008	Reagan	
7,406,240	B2	7/2008	Murano	
D607,306	S *	1/2010	Muncy et al.	D8/349
7,751,674	B2	7/2010	Hill	
7,817,444	B2 *	10/2010	Dennes	361/826
7,854,624	B1	12/2010	Pepe	
7,945,138	B2	5/2011	Hill	
2009/0097813	A1	4/2009	Hill	
2009/0196563	A1	8/2009	Mullsteff	
2009/0324189	A1	12/2009	Hill	
2011/0217016	A1	9/2011	Mullsteff	
2011/0268404	A1	11/2011	Cote	
2011/0268405	A1	11/2011	Cote	
2011/0268407	A1	11/2011	Cowen	
2011/0268409	A1	11/2011	Giraud	
2012/0051707	A1	3/2012	Barnes	

FOREIGN PATENT DOCUMENTS

EM	1399800	B1	3/2007
EM	1616210	B1	6/2007
EM	1591815	B1	9/2009

OTHER PUBLICATIONS

NitroFit Panel, www.NitroFiber.com; 8 pages. (c) 2013. Found Apr. 24, 2014 at <http://nitrofiber.com/products/nitrofit-fiber-management-solution/>.
<http://www.globenewswire.com/newsroom/news.html?d=244360>.
Andrew S. Powell, Sub-Department of Particle Physics, University of Oxford, LHCb Internal Note, Overview of the Rich Optical Data Link and Evaluation of its Optical Attenuation, Jan. 2006.
www.AFLglobal.com, Fiber Inside Plant.
www.AFLtele.com, Fiber Apparatus.

* cited by examiner

Primary Examiner — Robert M Spear
(74) *Attorney, Agent, or Firm* — Squire Patton Boggs (US) LLP

(57) **CLAIM**

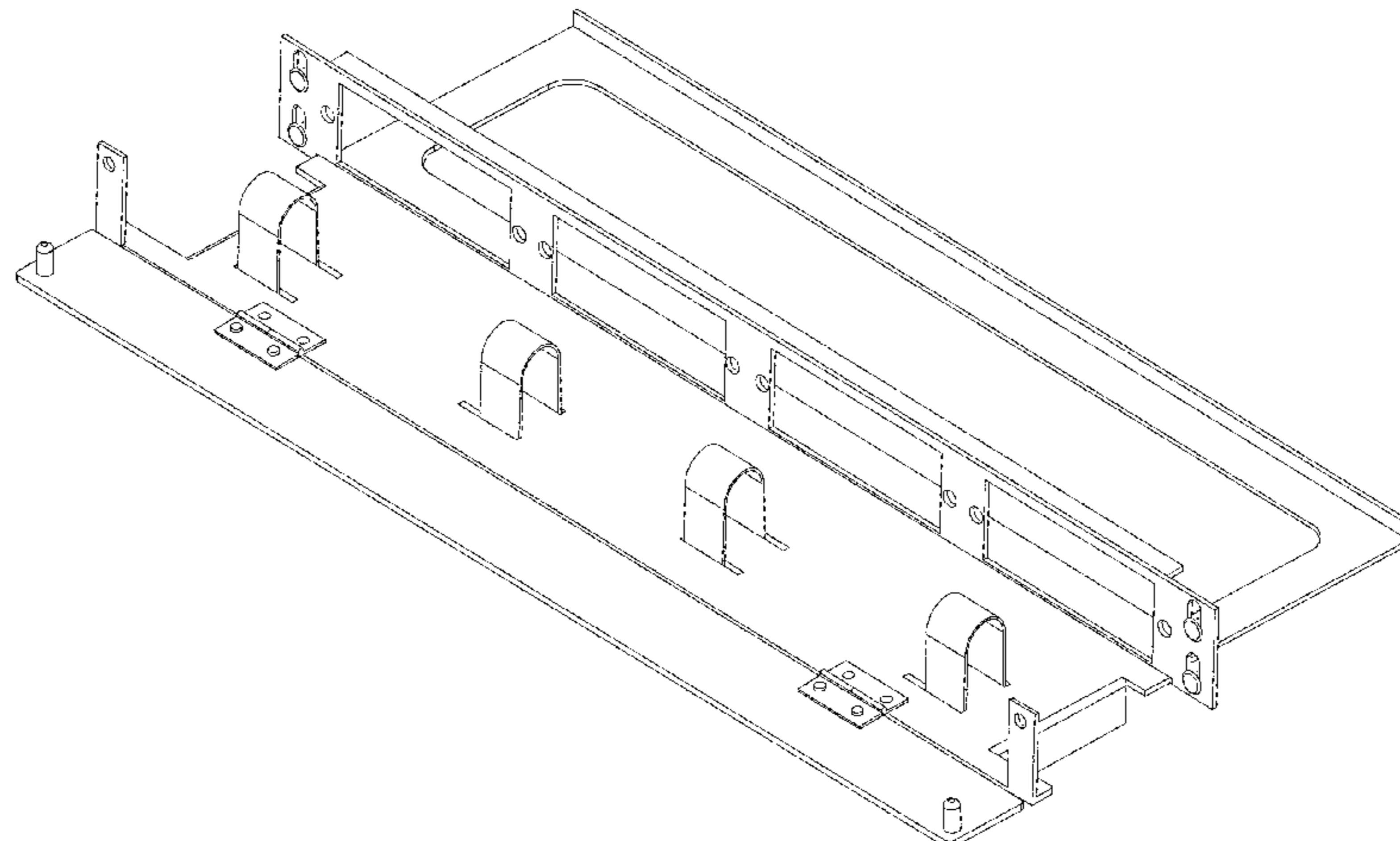
The ornamental design for an optical fiber management bracket, as shown and described.

DESCRIPTION

This application is related to co-pending design patent application Ser. No. 29/426,356, entitled "Optical Fiber Management Cassette" filed on Jul. 3, 2012, and to non-provisional patent application Ser. No. 13/541,419, entitled "Optical Fiber Connectivity Management System" also filed on Jul. 3, 2012.

FIG. 1 is a perspective view of an optical fiber management bracket that forms our new design;
FIG. 2 is another perspective view of an exemplary embodiment thereof in an alternate position of use;
FIG. 3 is a front elevational view thereof;
FIG. 4 is a back elevational view thereof;
FIG. 5 is a bottom plan view thereof; and,
FIG. 6 is a side elevational view thereof.

1 Claim, 6 Drawing Sheets



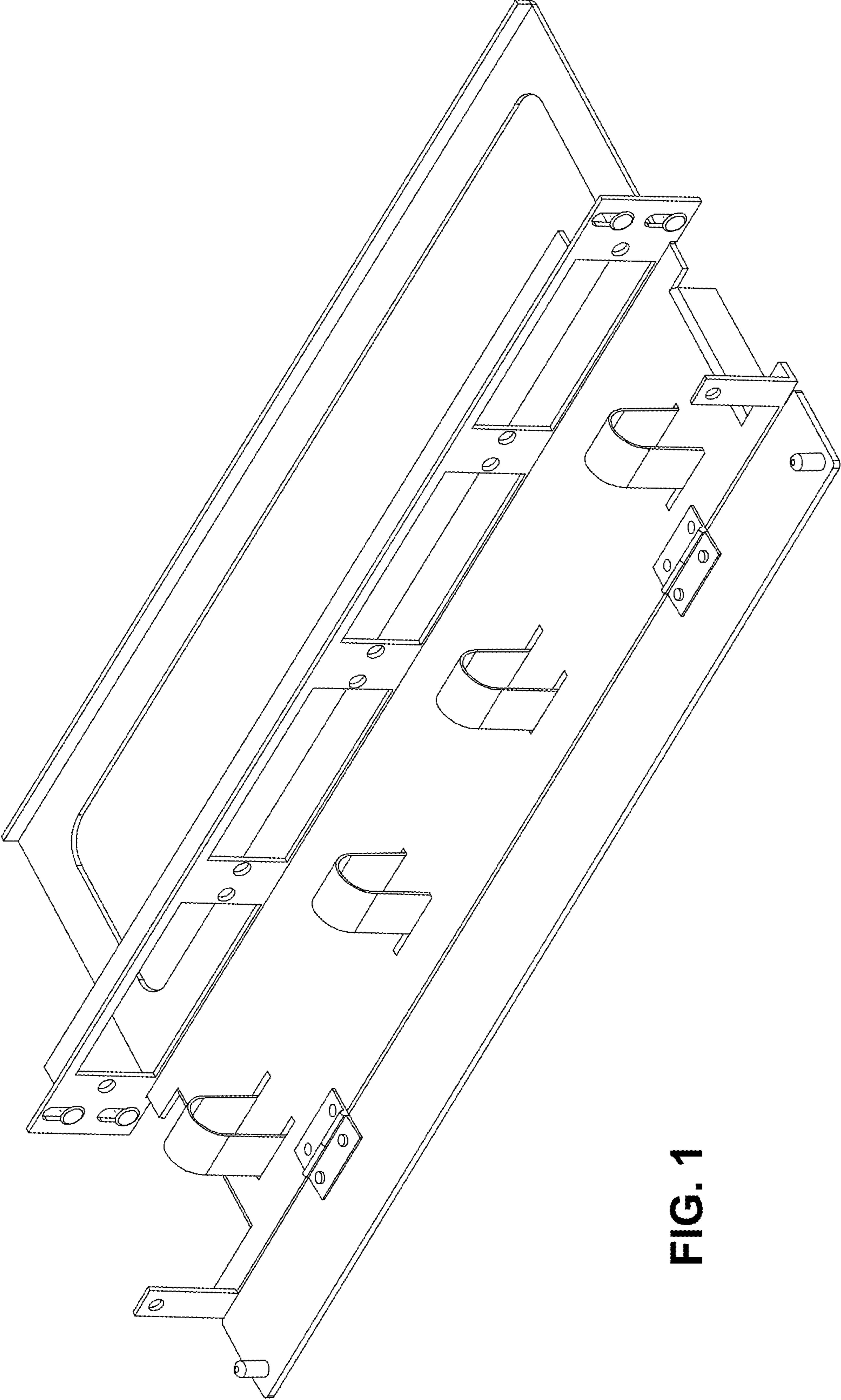


FIG. 1

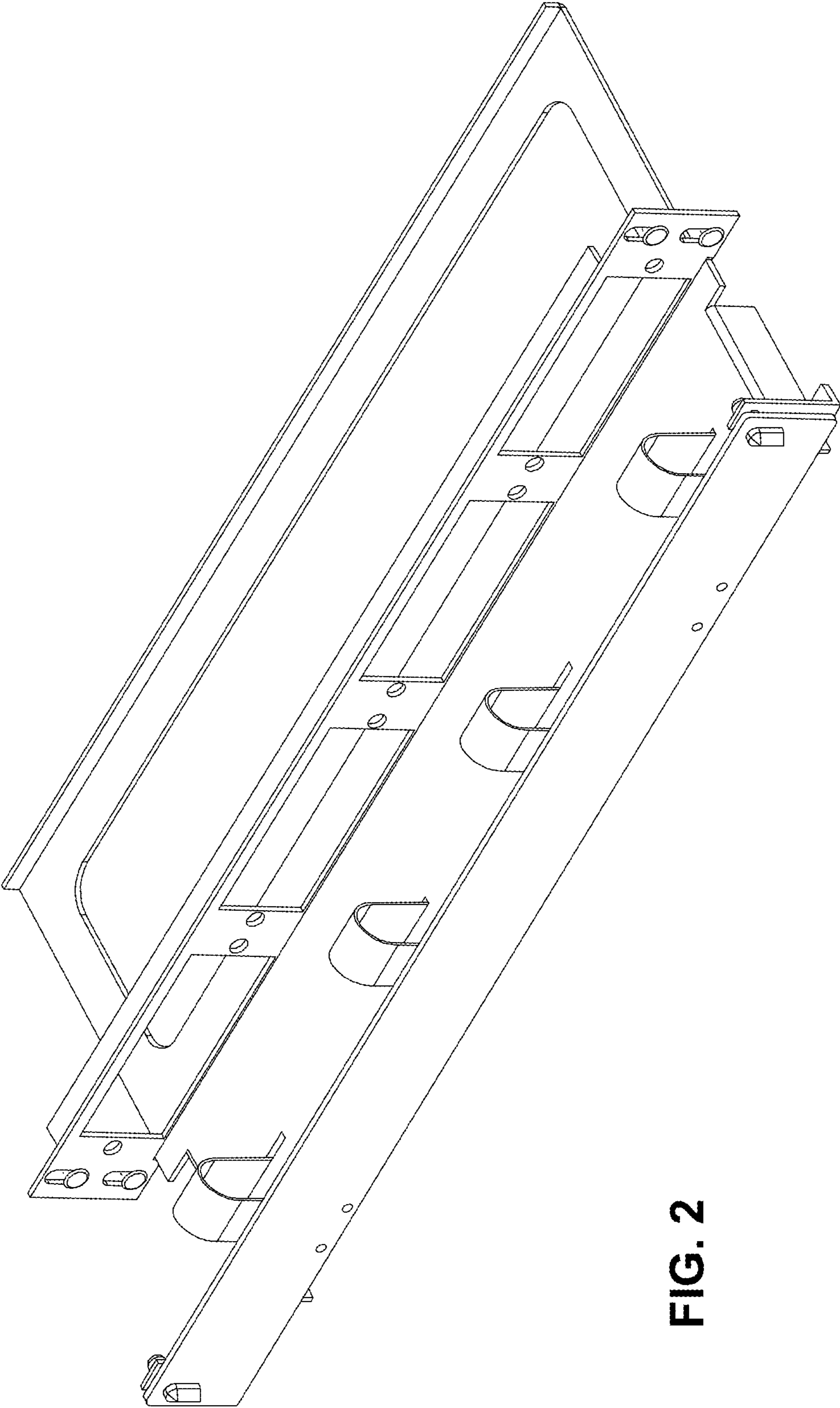


FIG. 2

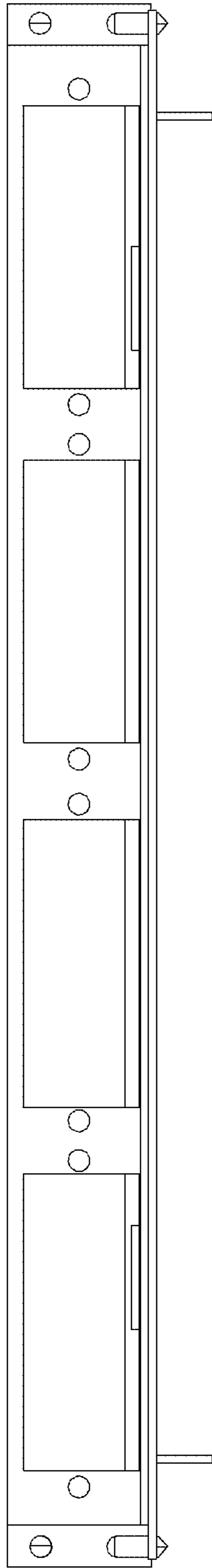


FIG. 3

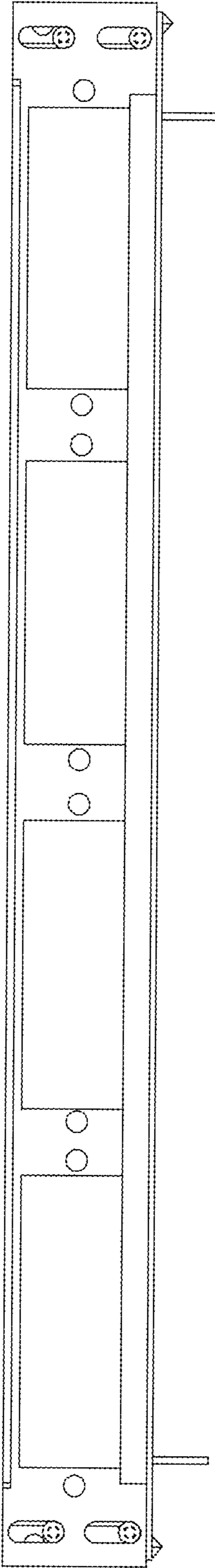


FIG. 4

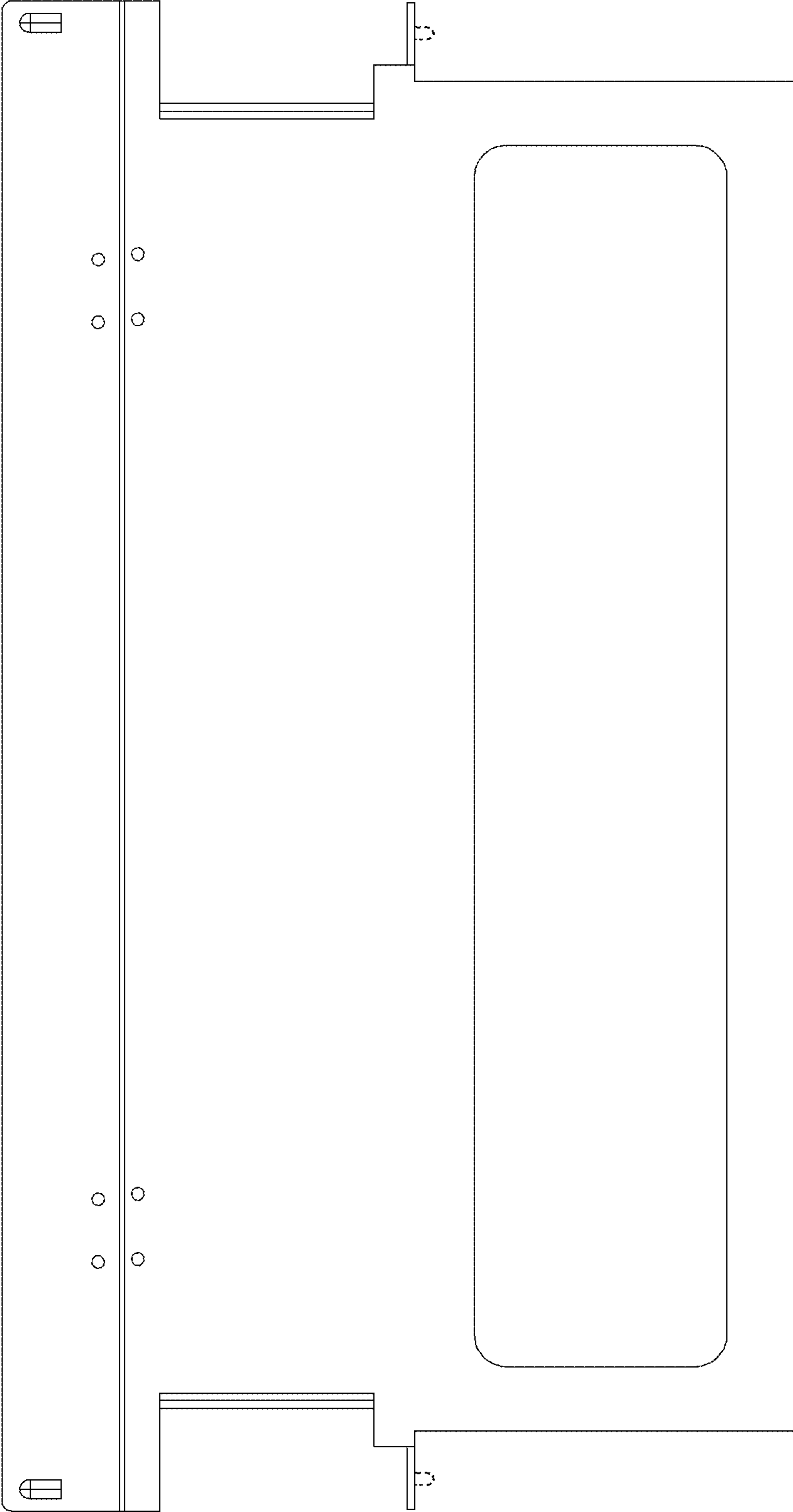


FIG. 5

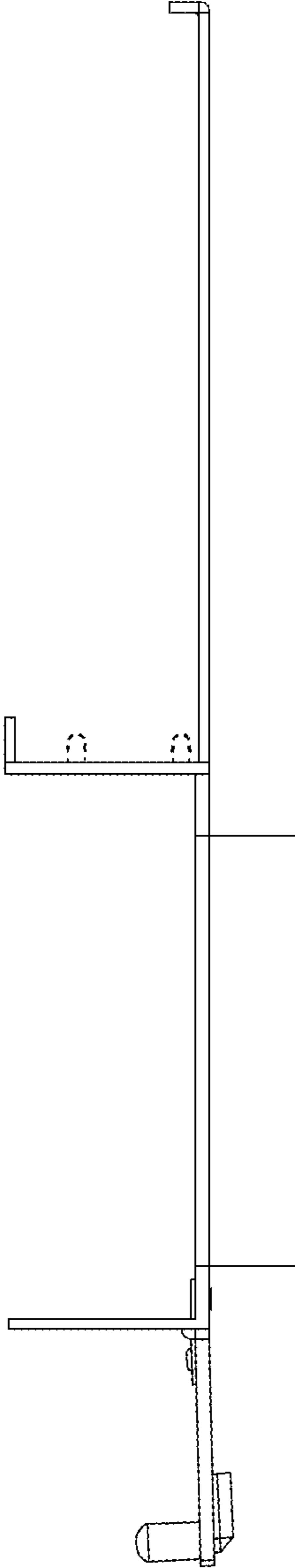


FIG. 6