



US00D753465S

(12) **United States Design Patent**
Marsh

(10) **Patent No.:** **US D753,465 S**

(45) **Date of Patent:** **** Apr. 12, 2016**

- (54) **CABINET CORNER BRACE**
- (71) Applicant: **Tenn-Tex Plastics, Inc.**, Colfax, NC (US)
- (72) Inventor: **Thomas R. Marsh**, High Point, NC (US)
- (73) Assignee: **Tenn-Tex Plastics, Inc.**, Colfax, NC (US)
- (**) Term: **14 Years**
- (21) Appl. No.: **29/452,169**
- (22) Filed: **Apr. 12, 2013**
- (51) **LOC (10) Cl.** **08-08**
- (52) **U.S. Cl.**
USPC **D8/349**
- (58) **Field of Classification Search**
USPC D8/349, 354, 373, 374, 382, 400, 403,
D8/499; D6/512, 553, 567
CPC A47B 96/00; A47B 96/06; A47B 96/061;
A47B 96/022; A47B 96/02; A47B 95/00;
A47B 5/00; A47B 23/043; F16M 13/02;
F16M 11/20
See application file for complete search history.

5,906,344	A *	5/1999	Atkinson et al.	248/188.9
6,368,694	B1 *	4/2002	Marsh et al.	428/99
D490,295	S *	5/2004	Neider et al.	D8/356
D537,337	S *	2/2007	Brockington et al.	D8/499
D656,007	S *	3/2012	Swoish et al.	D8/403
2006/0243636	A1 *	11/2006	Robichaud et al.	206/586

OTHER PUBLICATIONS

Ovis Corner Brace, dated Sep. 1, 2011, [online], [site visited May 11, 2015]. Available from Internet, <URL: <http://www.ovisonline.com/Corner-Braces-C45.aspx>>.*

Poplar Square Plastic Corner Blokc Brace, dated Nov. 5, 2010, [online], [site visited May 11, 2015]. Available from Internet, <URL: <http://www.poplarsquare.com/braces.html>>.*

* cited by examiner

Primary Examiner — Thomas Johannes

Assistant Examiner — Shawn T Gingrich

(74) *Attorney, Agent, or Firm* — Myers Bigel & Sibley, P.A.

(57) **CLAIM**

The ornamental design for a cabinet corner brace, as shown and described.

DESCRIPTION

FIG. 1 is an enlarged perspective view of a cabinet corner brace according to the present invention; FIG. 2 is a side view thereof; FIG. 3 is an opposite side view thereof; FIG. 4 is a front view thereof; FIG. 5 is a rear view thereof; FIG. 6 is a top view thereof; and, FIG. 7 is a section view thereof taken along lines 7-7 of FIG. 6.

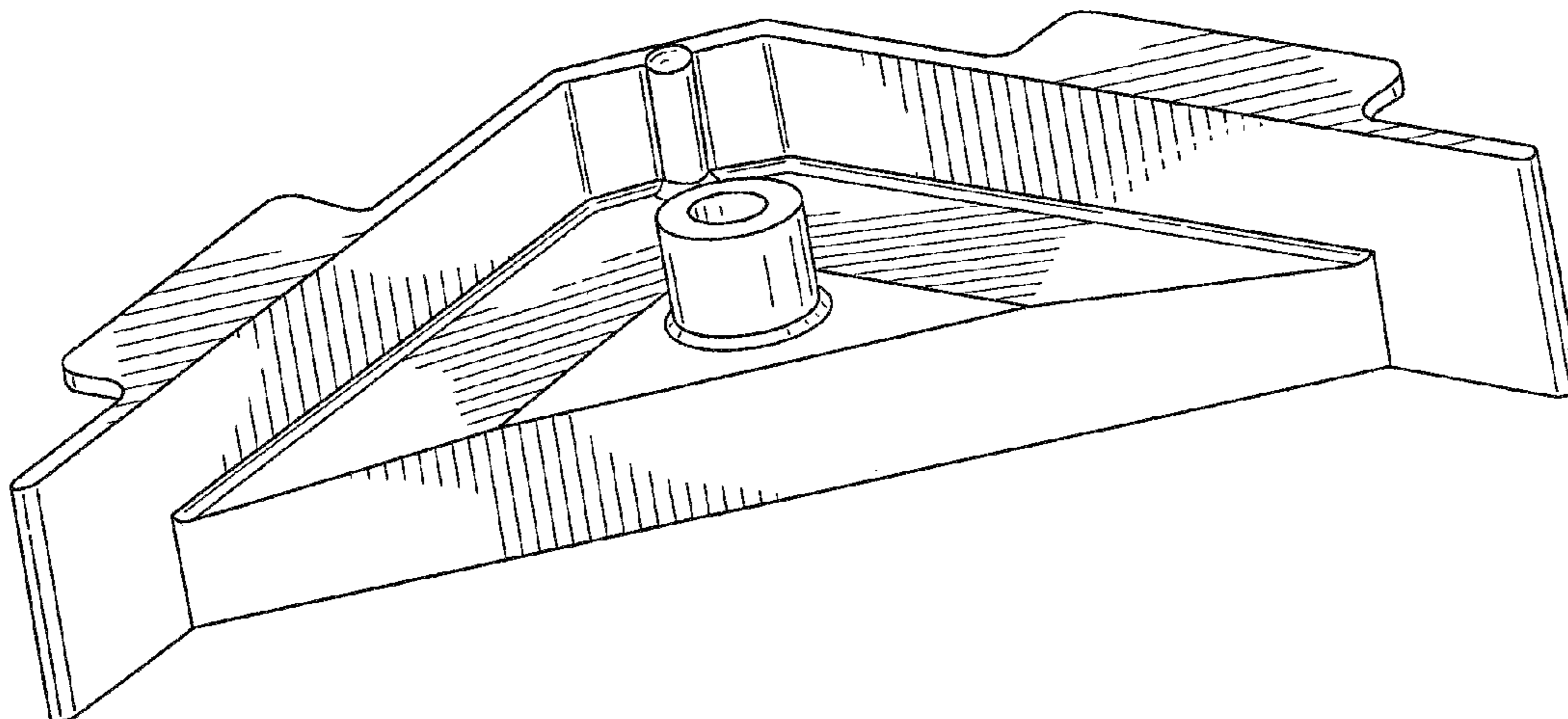
The broken line portion of the figure drawings is included to show portions of the article that forms no part of the claimed design.

1 Claim, 3 Drawing Sheets

(56) **References Cited**

U.S. PATENT DOCUMENTS

939,005	A	11/1909	Goedeke et al.	
1,313,113	A	8/1919	Pleister et al.	
1,572,295	A	2/1926	Kofsky et al.	
2,938,759	A *	5/1960	Rudow et al.	248/188
3,544,053	A	12/1970	Ingalls	
4,039,131	A	8/1977	Perrault et al.	
5,002,249	A	3/1991	Meyer	
5,312,078	A	5/1994	Marsh	
D357,623	S *	4/1995	Davis	D8/354
D364,331	S *	11/1995	Leek	D8/354



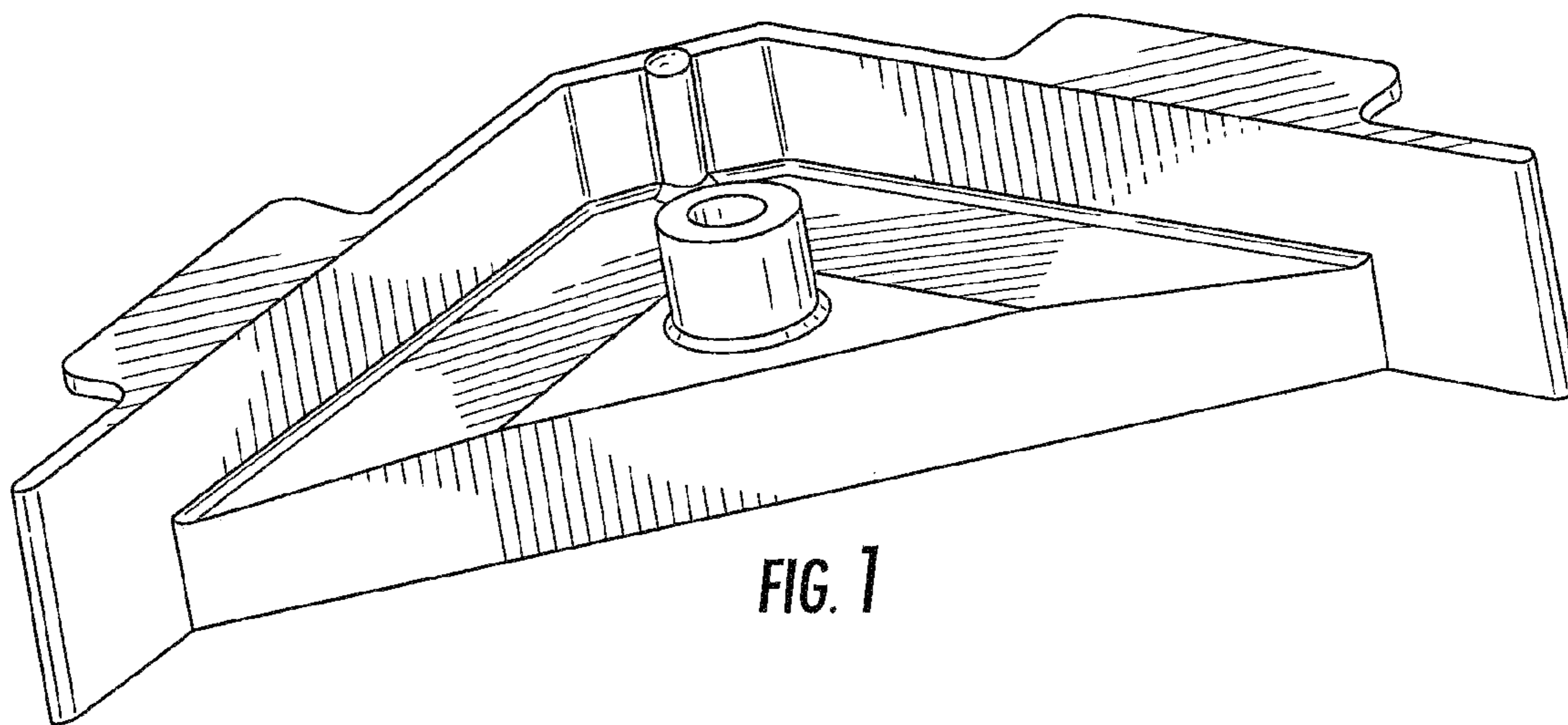


FIG. 2

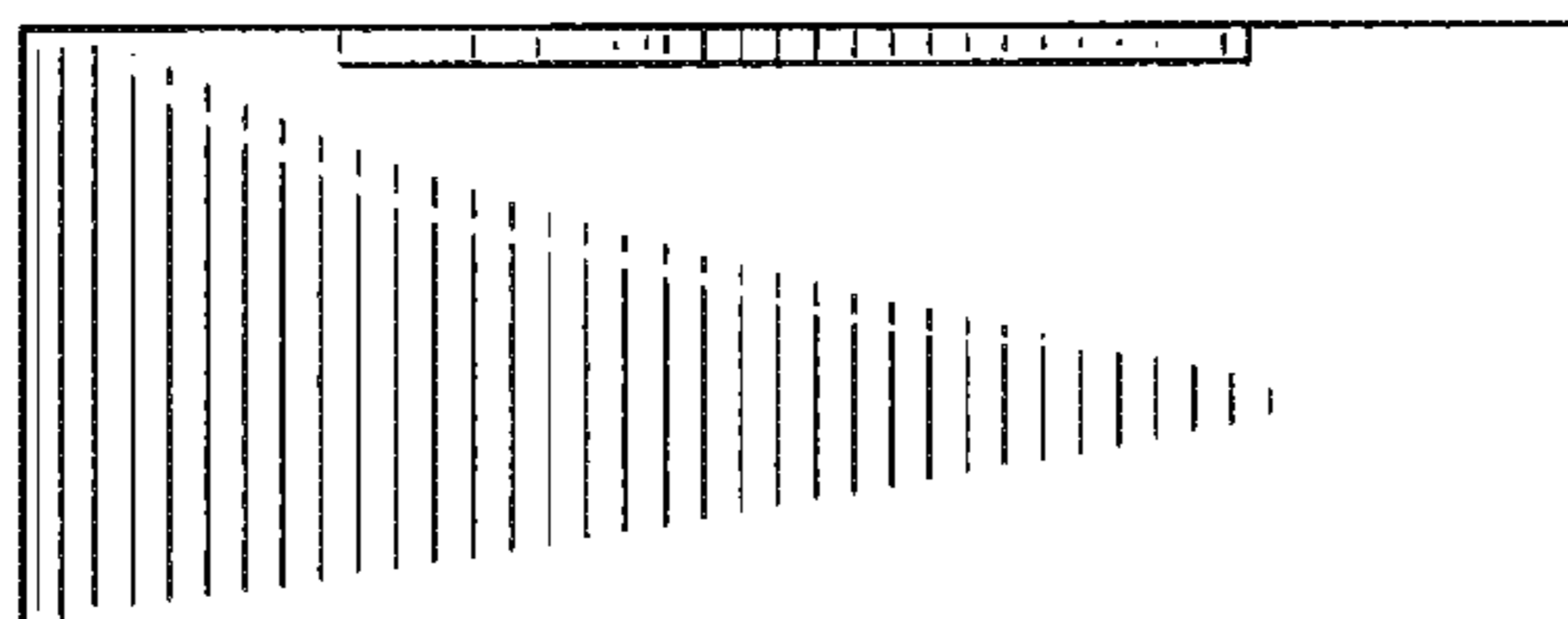
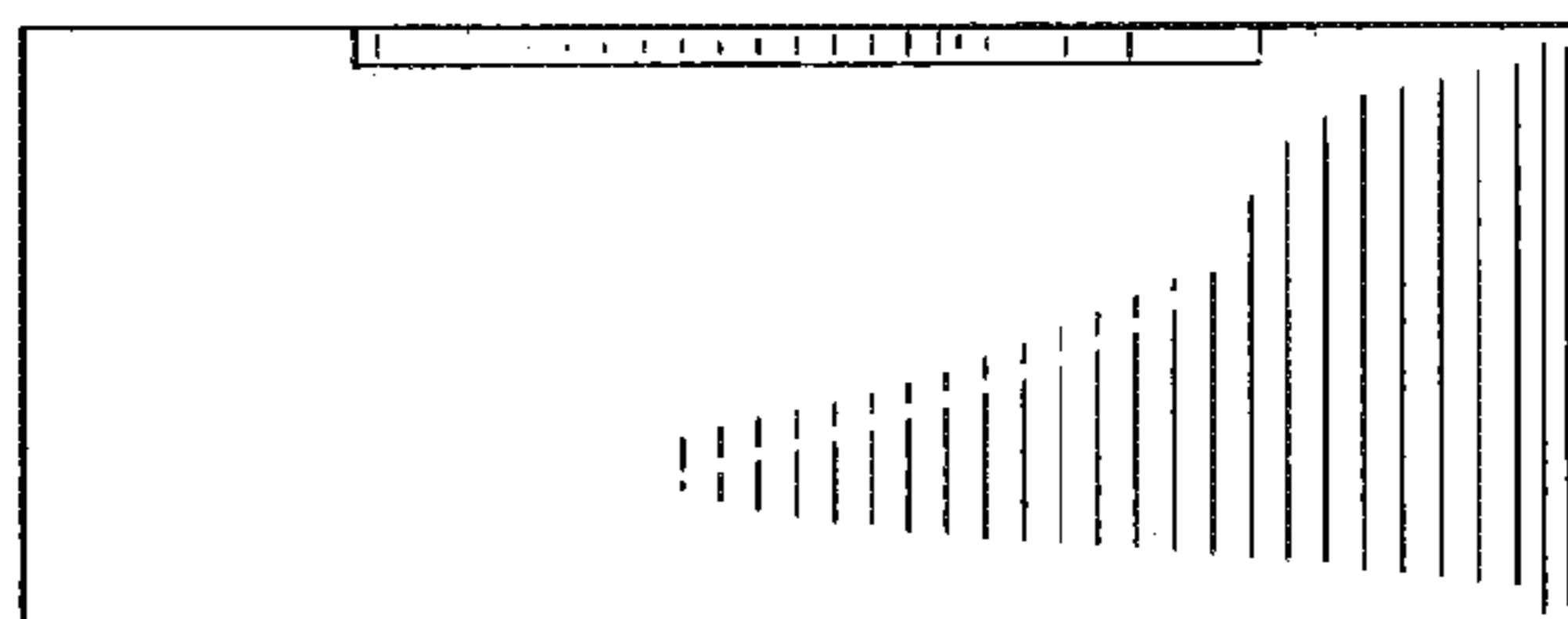


FIG. 3



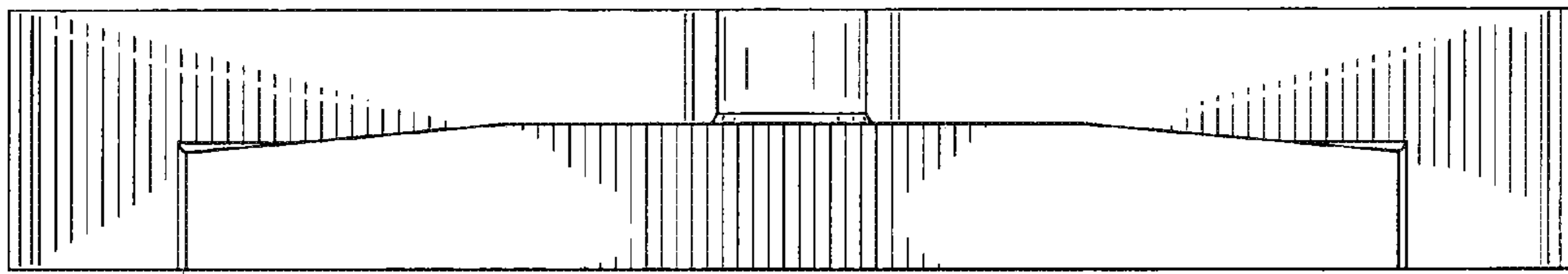


FIG. 4

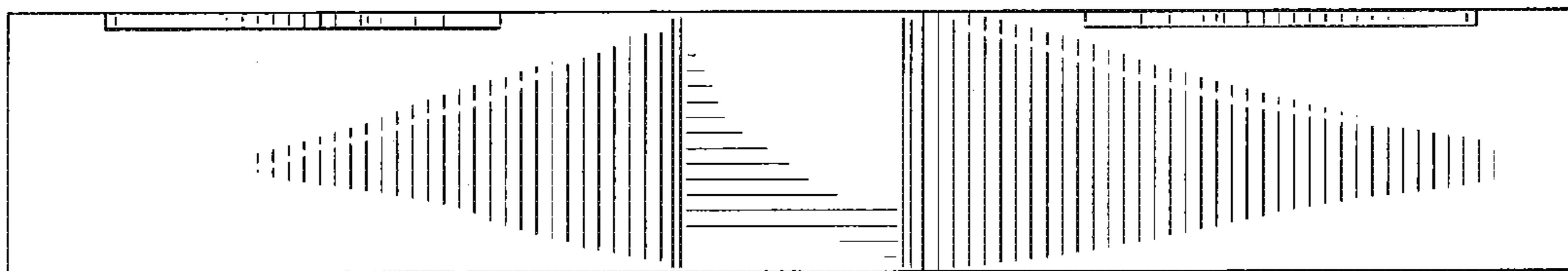


FIG. 5

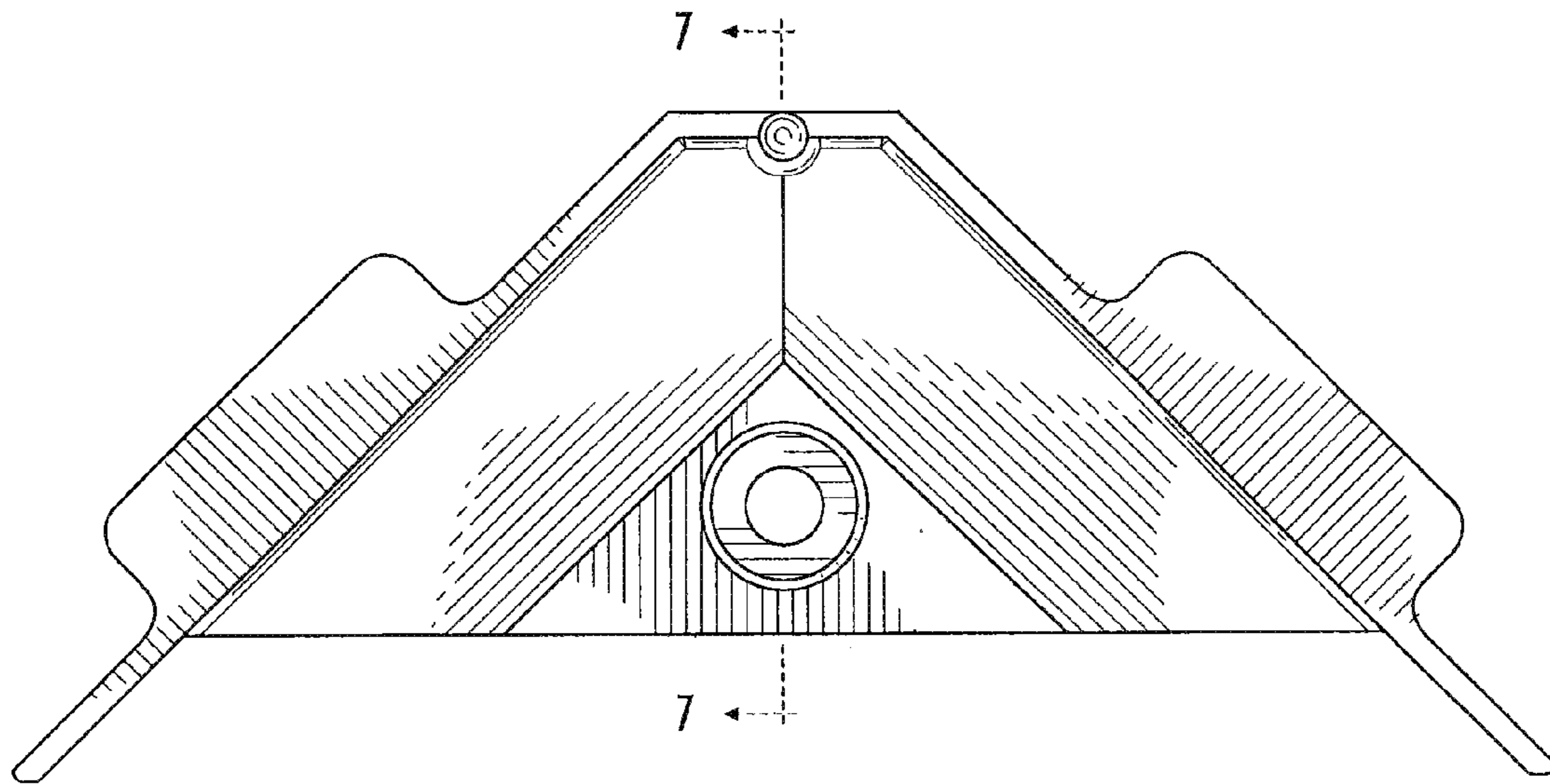


FIG. 6

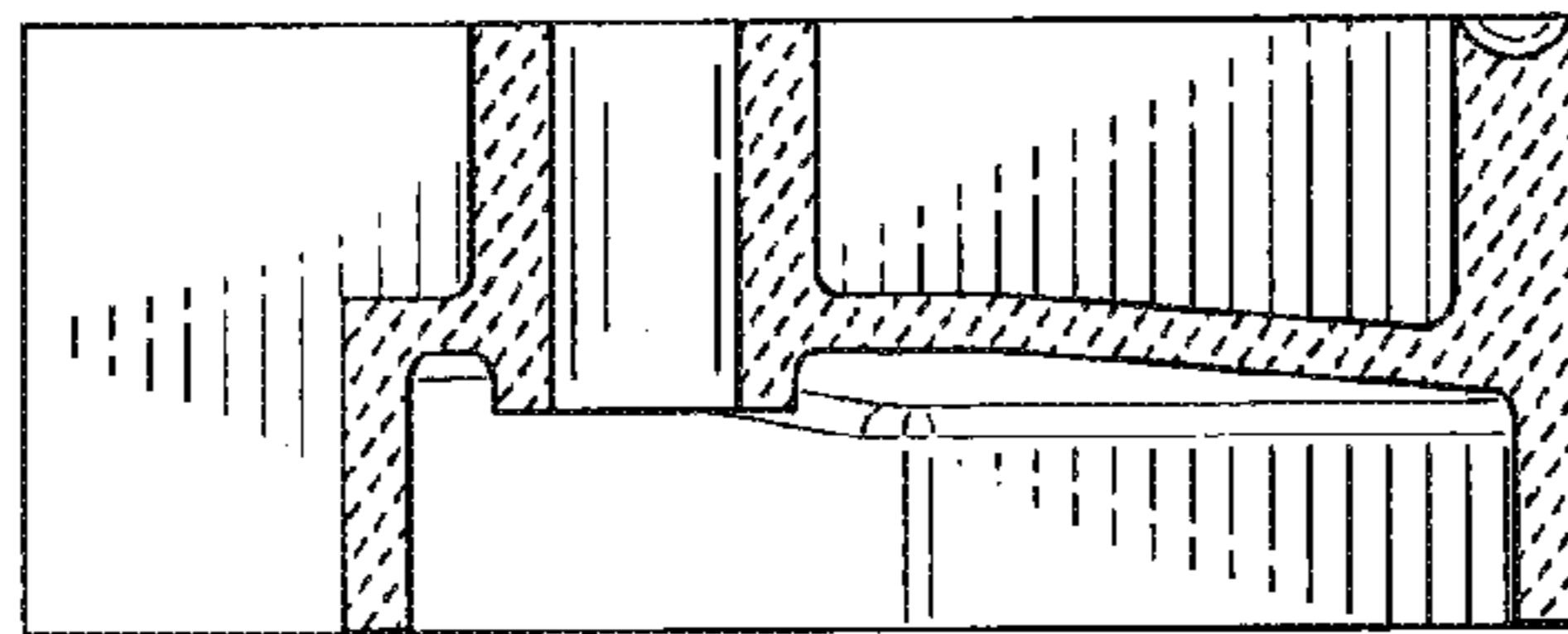


FIG. 7