



US00D753464S

(12) **United States Design Patent**
Krohn

(10) **Patent No.:** **US D753,464 S**
(45) **Date of Patent:** **** Apr. 12, 2016**

- (54) **COUPLER LOCK** 6,062,583 A * 5/2000 Lauricella, Jr. B60D 1/06
280/507
- (71) Applicant: **Cequent Consumer Products, Inc.,** 6,672,115 B2 * 1/2004 Wyers B60D 1/52
Solon, OH (US) 280/506
- (72) Inventor: **Joshua James Krohn,** Cuyahoga Falls, 6,846,002 B2 * 1/2005 Irgens B60D 1/60
OH (US) 280/507
- (73) Assignee: **Cequent Consumer Products, Inc.,** 7,173,223 B2 * 2/2007 Kuo H05B 3/347
Solon, OH (US) 219/528
- (**) Term: **14 Years** 7,469,919 B2 * 12/2008 Kalous B60D 1/60
280/507
- (21) Appl. No.: **29/512,355** D615,462 S * 5/2010 Barrette D12/162
- (22) Filed: **Dec. 18, 2014** 7,722,763 B2 * 5/2010 Benty B01D 21/0012
210/162
- 7,758,004 B2 * 7/2010 Brookman A62B 25/00
248/154
- 8,418,863 B2 * 4/2013 Smerecky B61G 3/06
213/139
- D715,131 S * 10/2014 Song D8/331

* cited by examiner

Related U.S. Application Data

- (62) Division of application No. 29/466,075, filed on Sep. 4, 2013, now Pat. No. Des. 720,597.
- (51) **LOC (10) Cl.** **08-07**
- (52) **U.S. Cl.**
USPC **D8/343; D8/330**
- (58) **Field of Classification Search**
USPC D8/330-346, 349, 382, 383, 499;
70/57.1, 141, 333 R, 431, 465, 466;
280/455.1, 432, 417.1; 213/75 R, 79,
213/83, 100 R
CPC E05B 67/36; E05B 67/38; B60D 1/60;
B60D 1/00; B60D 1/06
See application file for complete search history.

(56) **References Cited**

U.S. PATENT DOCUMENTS

- D350,054 S * 8/1994 Richter D8/331
- D417,133 S * 11/1999 Niswanger D8/331

Primary Examiner — Prabhakar Deshmukh

(74) *Attorney, Agent, or Firm* — McDonald Hopkins LLC

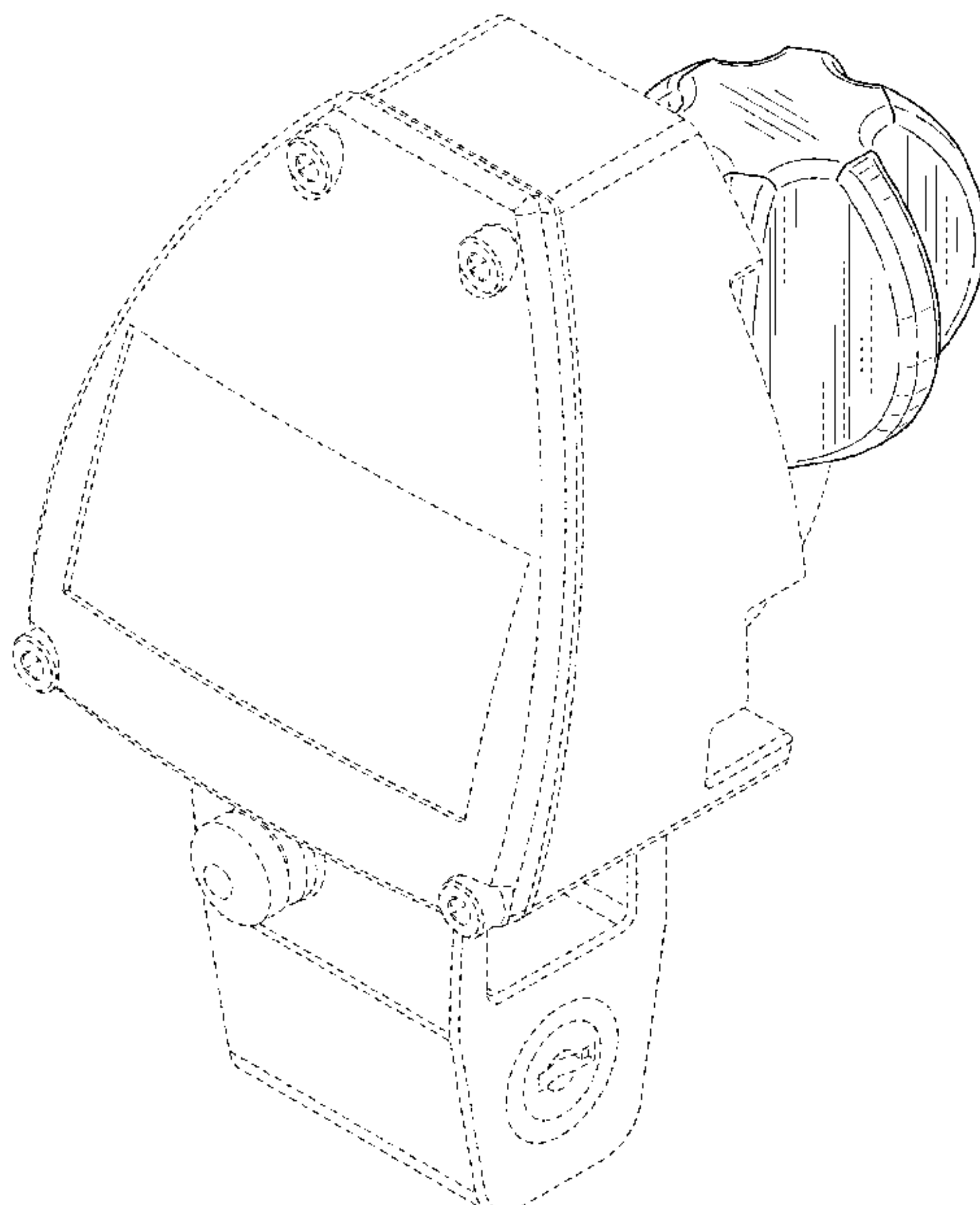
(57) **CLAIM**

The ornamental design for a coupler lock, as shown and described.

DESCRIPTION

FIG. 1 is a perspective view of a coupler lock showing my new design;
 FIG. 2 is front view thereof;
 FIG. 3 is a rear view thereof;
 FIG. 4 is a first side view thereof;
 FIG. 5 is a second side view thereof;
 FIG. 6 is a top side view thereof; and,
 FIG. 7 is a bottom view thereof.
 The broken lines in the figures are included for the purpose of illustrating portions of a coupler lock and form no part of the claimed design.

1 Claim, 4 Drawing Sheets



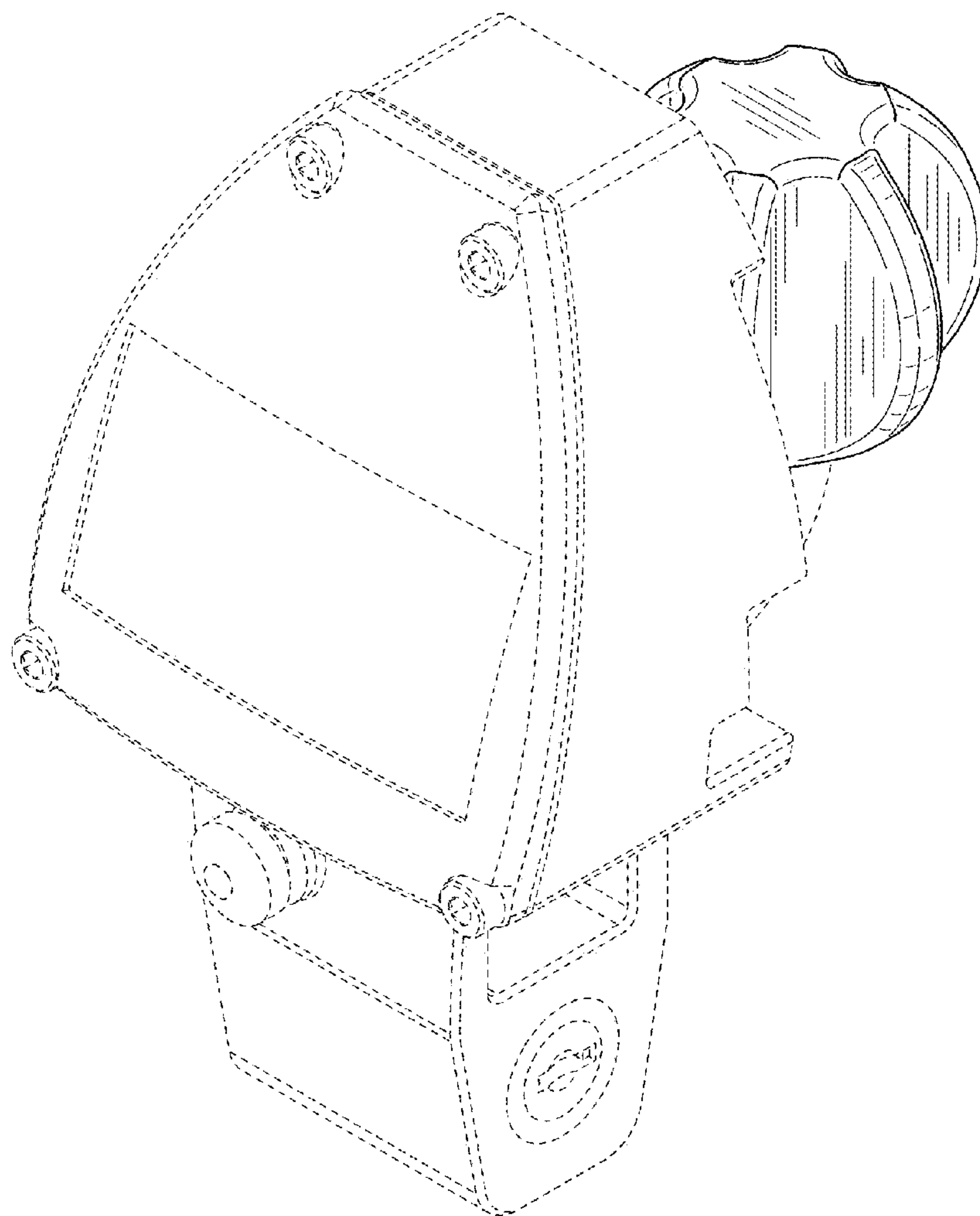


FIG. 1

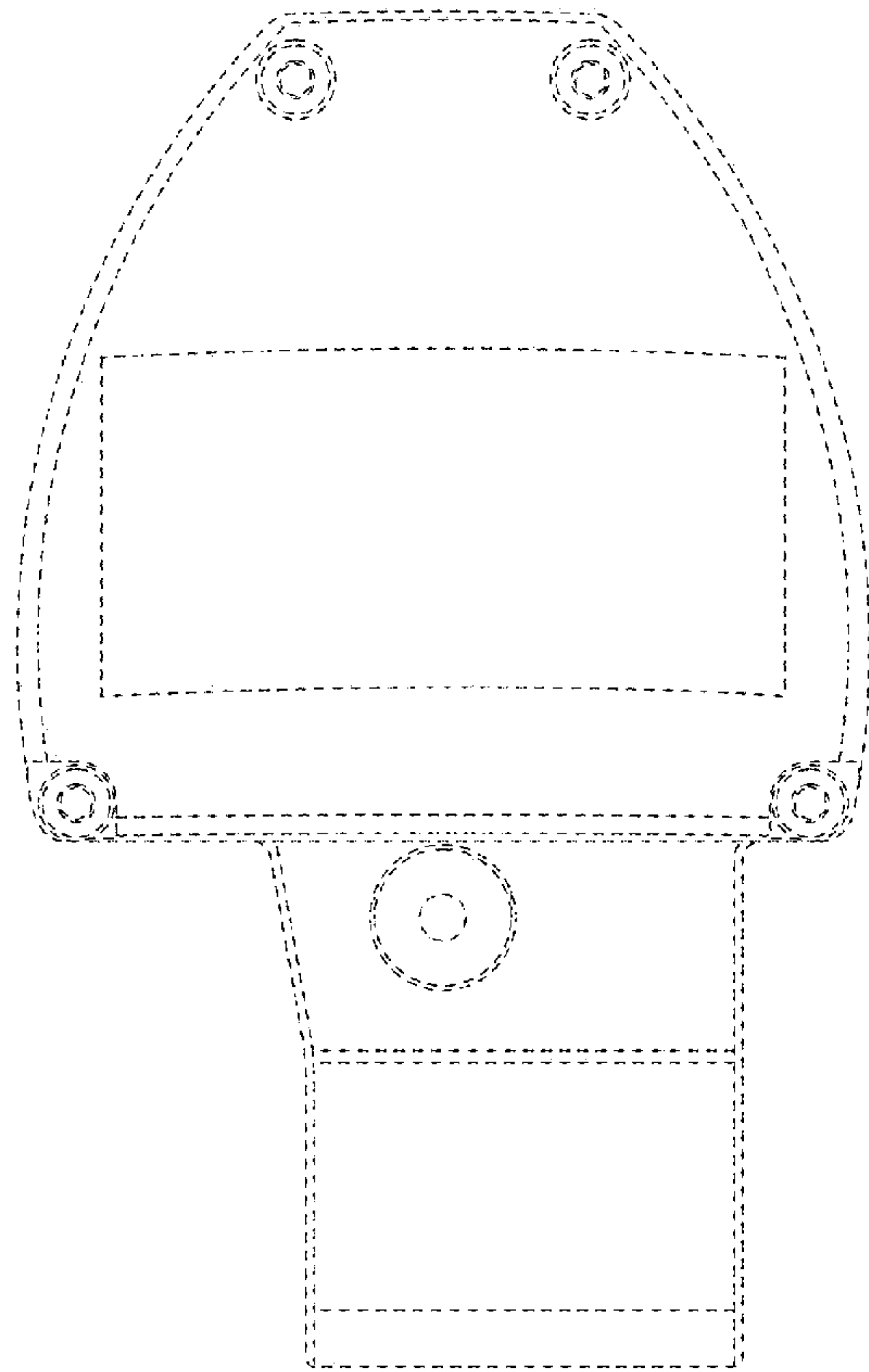


FIG. 2

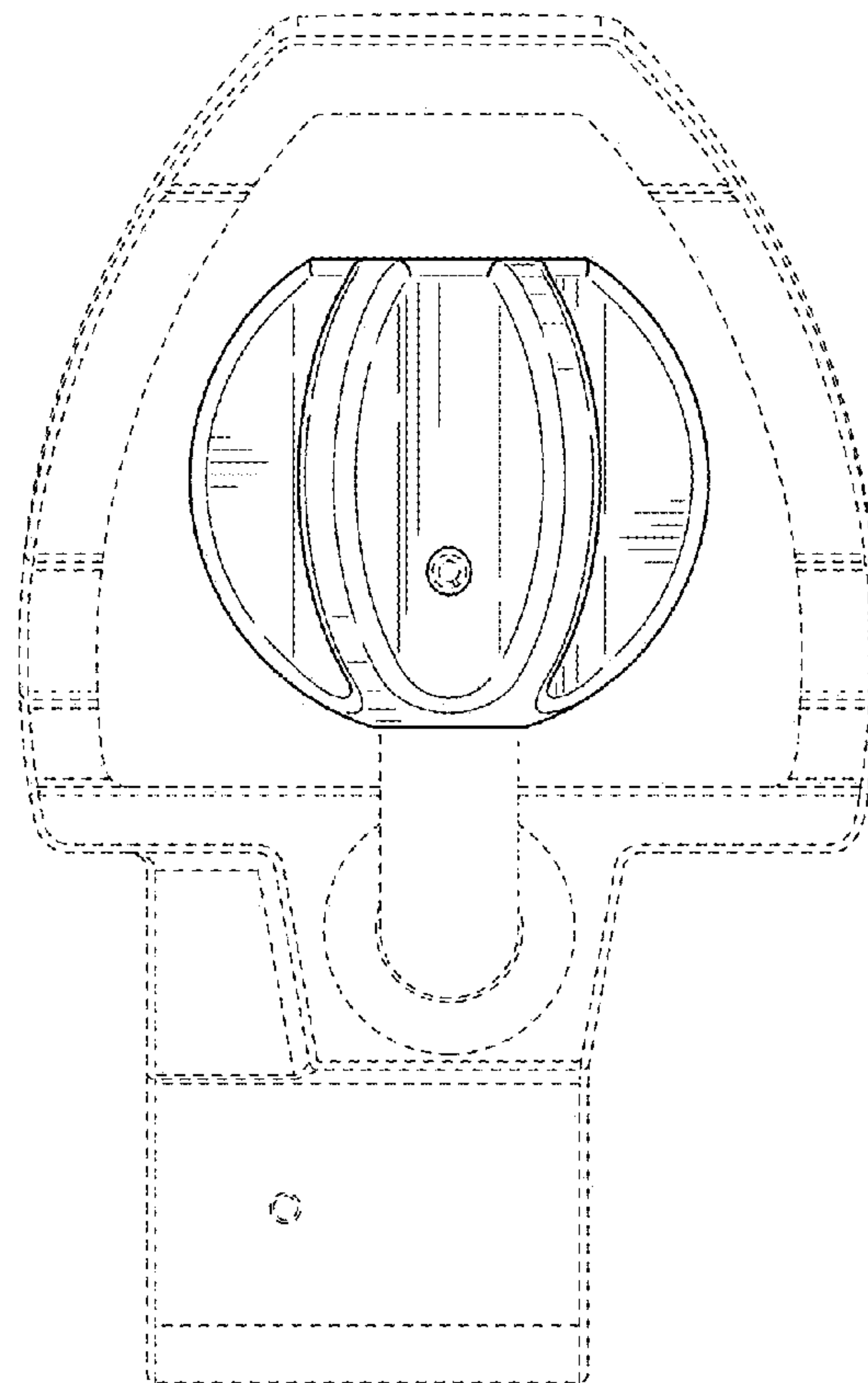


FIG. 3

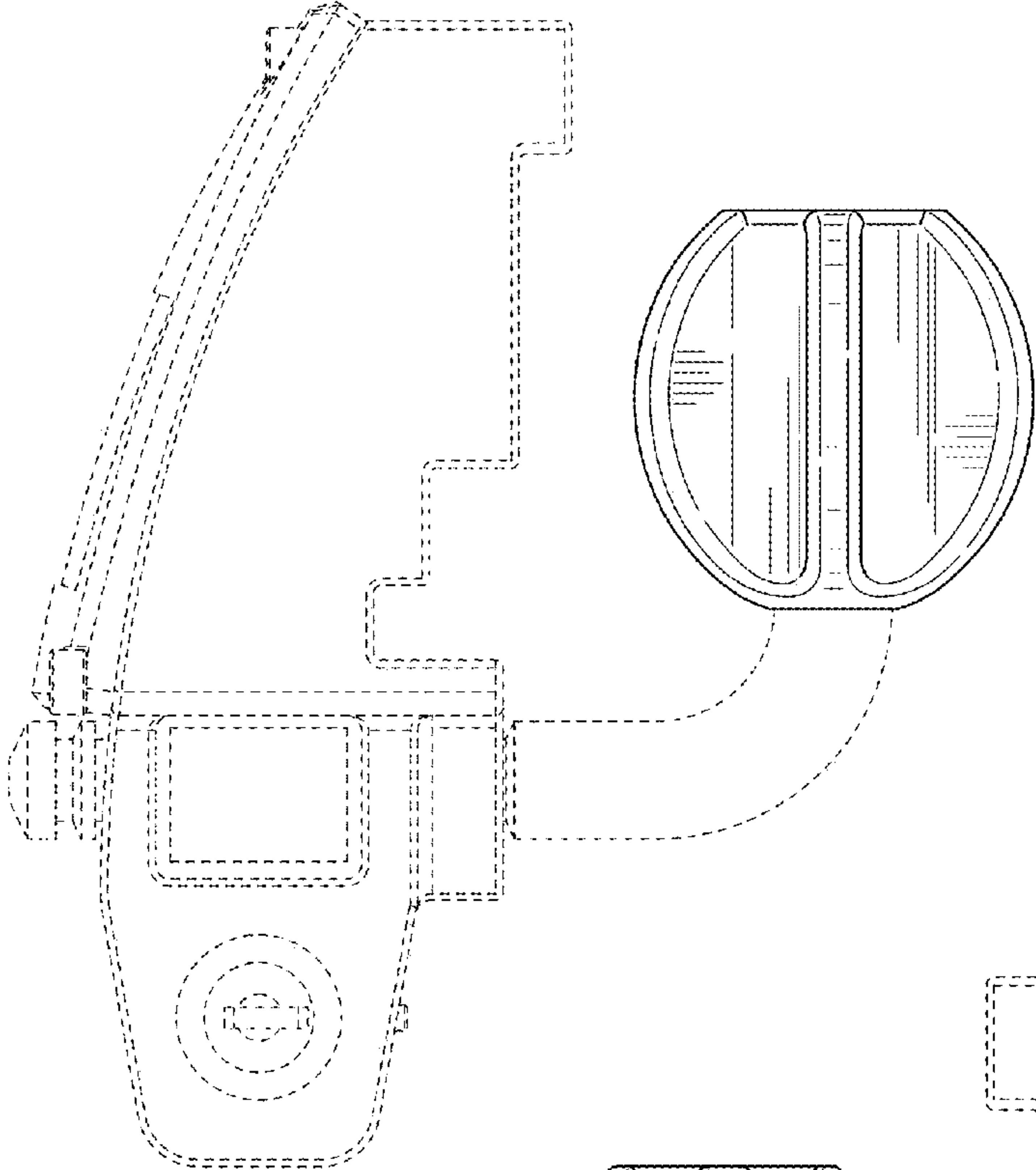


FIG. 4

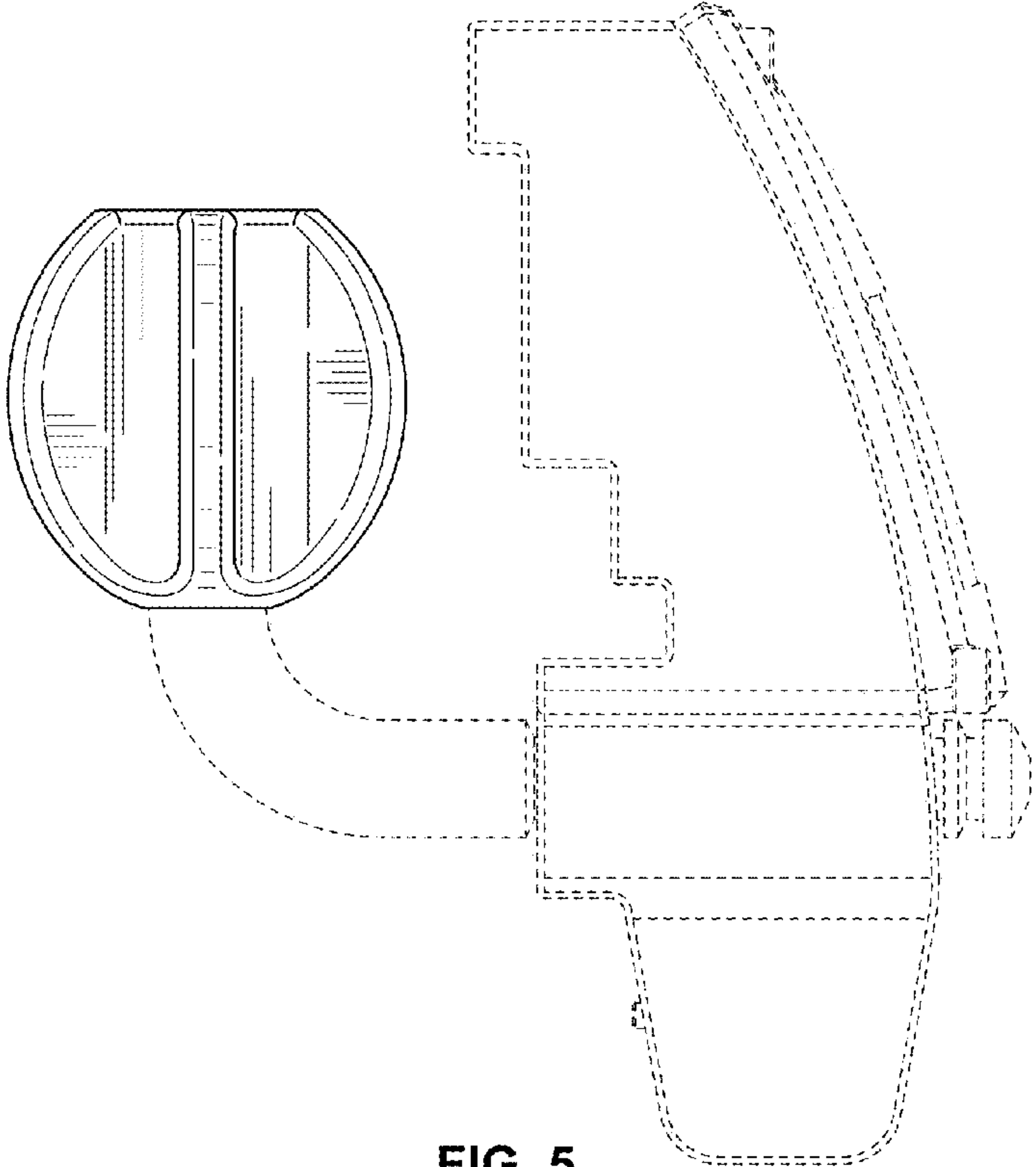


FIG. 5

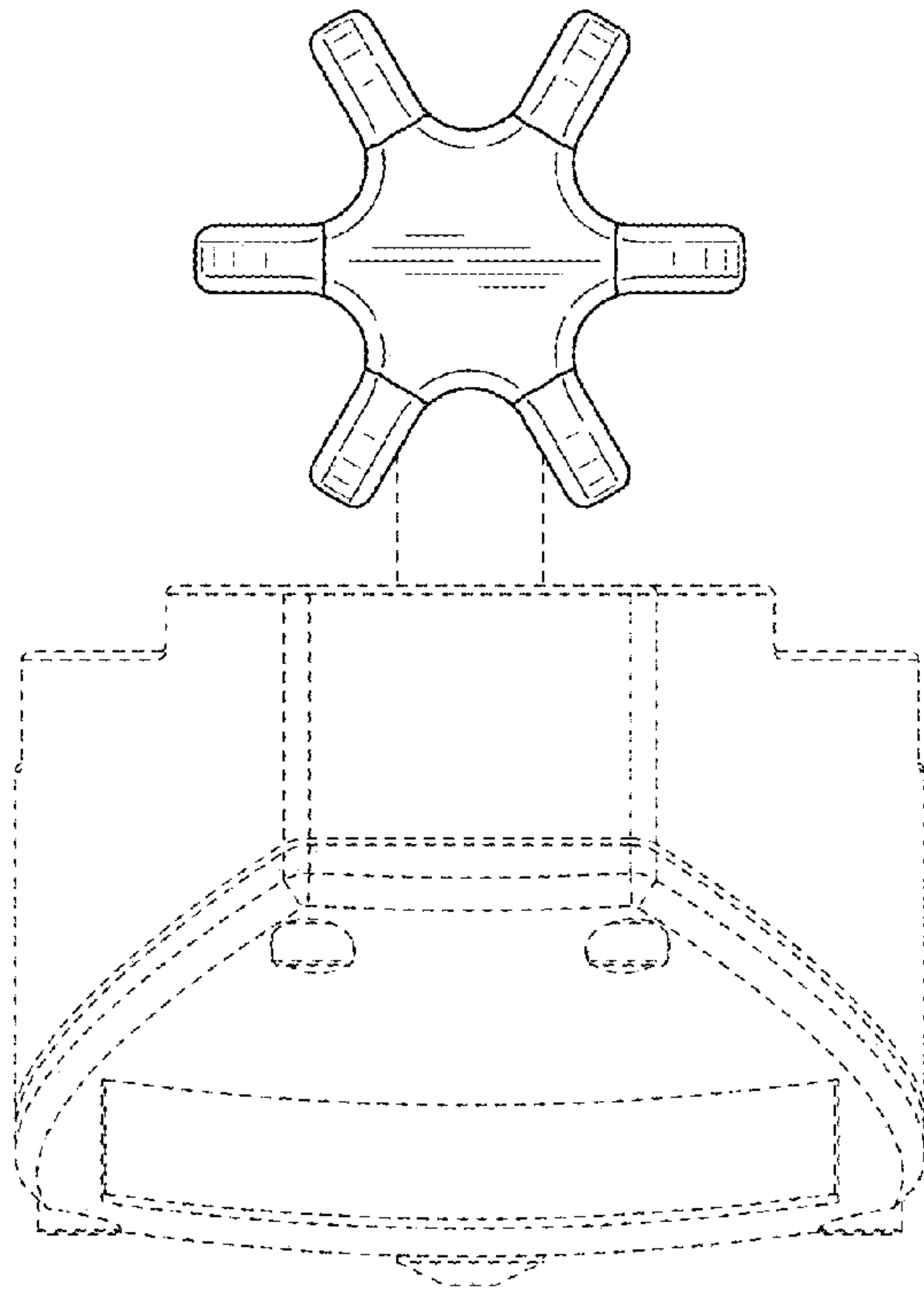


FIG. 6

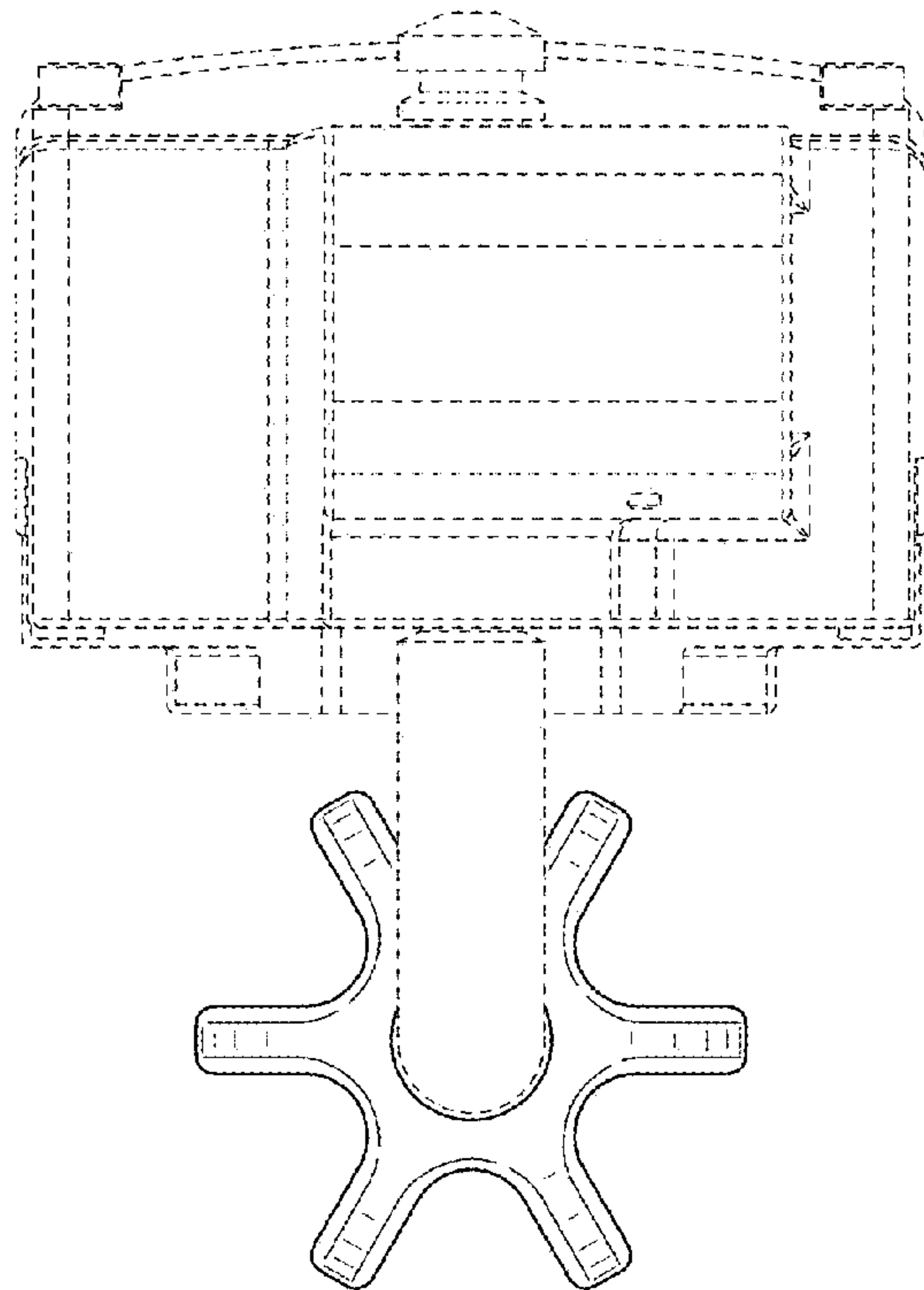


FIG. 7