



US00D753461S

(12) **United States Design Patent**
Dominguez

(10) **Patent No.:** **US D753,461 S**
(45) **Date of Patent:** **** Apr. 12, 2016**

- (54) **BARREL LOCK KEY**
- (71) Applicant: **Armando Dominguez**, Miami, FL (US)
- (72) Inventor: **Armando Dominguez**, Miami, FL (US)
- (**) Term: **15 Years**
- (21) Appl. No.: **29/505,184**
- (22) Filed: **Jul. 13, 2015**
- (51) **LOC (10) Cl.** **08-07**
- (52) **U.S. Cl.**
USPC **D8/330; D8/331**
- (58) **Field of Classification Search**
USPC D8/330, 331, 347, 348, 349; 70/32-34,
70/51, 52, 57.1, 164, 286, 386, 389, 390,
70/399, 395, 366, 431, 456 R, DIG. 1,
70/DIG. 2, DIG. 36, DIG. 53, DIG. 54
CPC E05B 19/00; E05B 19/04; E05B 29/04;
E05B 67/36
See application file for complete search history.

7,775,071 B2 * 8/2010 Agbay E05B 21/066
70/164
D659,512 S * 5/2012 Dhaliwal D8/348
8,365,559 B2 * 2/2013 Agbay E05B 19/00
70/34

* cited by examiner

Primary Examiner — Prabhakar Deshmukh

(57) **CLAIM**
The ornamental design for a barrel lock key, as shown and described.

DESCRIPTION

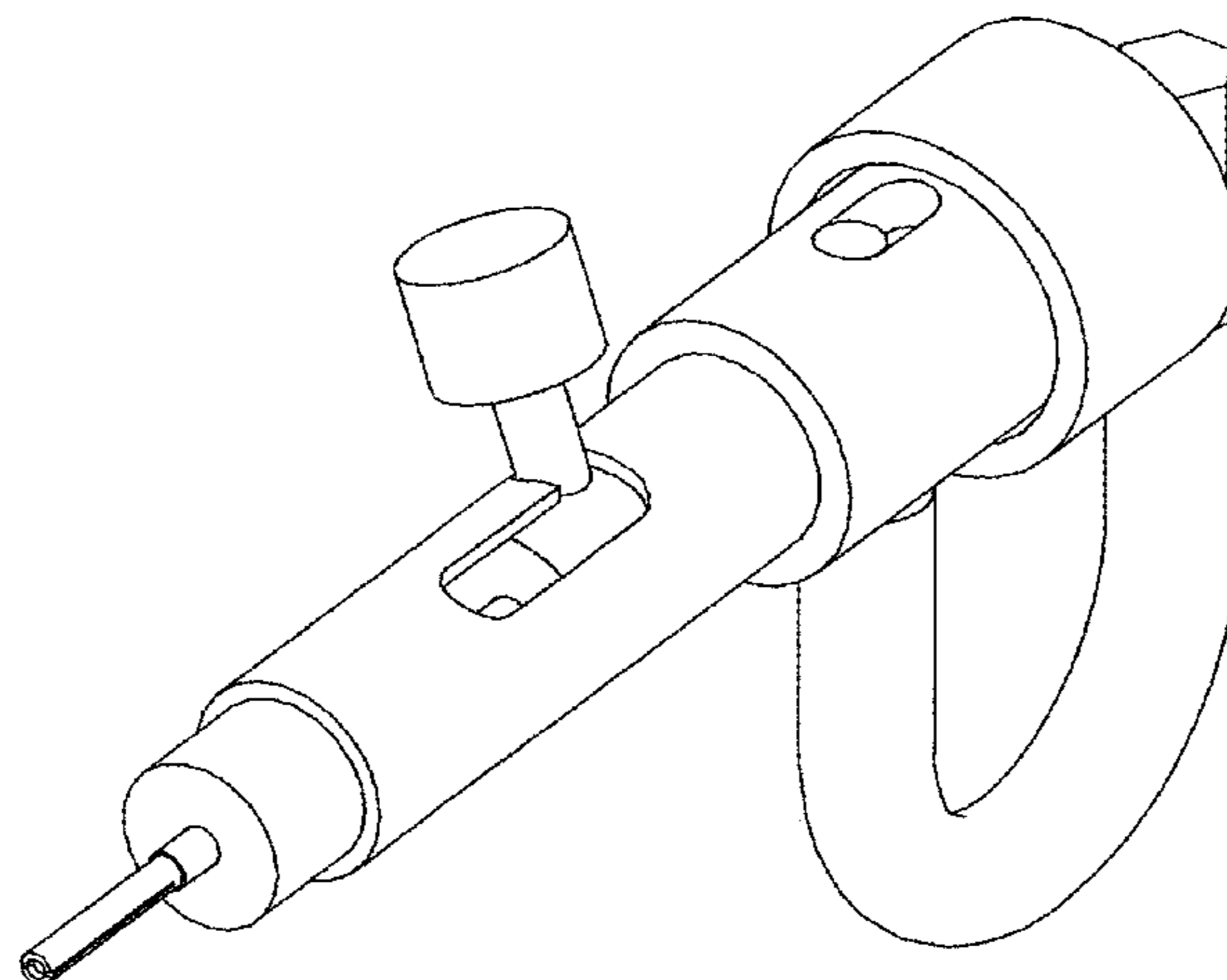
FIG. 1 is a front, right, top perspective view of a barrel lock key showing my new design;
 FIG. 2 is rear, bottom, left perspective view thereof;
 FIG. 3 is a front, top, left perspective view showing in an alternative position;
 FIG. 4 is a front, top, left perspective view thereof, showing another alternative position;
 FIG. 5 is an enlarged partial front, top, left perspective view thereof, with the portion being broken away and rotated for clarity;
 FIG. 6 is an exploded front, top, right perspective view thereof;
 FIG. 7 is an exploded front, bottom, right perspective view thereof;
 FIG. 8 is an exploded rear, top, left perspective view thereof;
 FIG. 9 is an exploded front, top, left perspective view thereof, showing in environment use;
 FIG. 10 is a front, top, left perspective view of FIG. 9, shown in alternative position; and,
 FIG. 11 is front, top, left perspective view of FIG. 9, shown in another alternative position.
 The broken lines environment in FIGS. 9-11 is for illustration and forms no part of the claimed design.

(56) **References Cited**

U.S. PATENT DOCUMENTS

D211,827 S *	7/1968	Reisner	D11/60
D244,667 S *	6/1977	Craft	D8/347
4,513,592 A *	4/1985	Agbay	E05B 67/365 70/34
5,054,223 A *	10/1991	Lee	F41A 17/44 42/70.11
5,086,631 A *	2/1992	Agbay	E05B 21/066 70/366
6,386,006 B1 *	5/2002	DeWalch	E05B 19/00 70/34
6,662,484 B1 *	12/2003	Andree	E05B 21/066 42/70.11
6,826,934 B2 *	12/2004	Canard	B60R 25/02131 70/181
D613,579 S *	4/2010	Schwartz	D8/347
7,703,311 B2 *	4/2010	Agbay	E05B 21/066 70/340

1 Claim, 9 Drawing Sheets



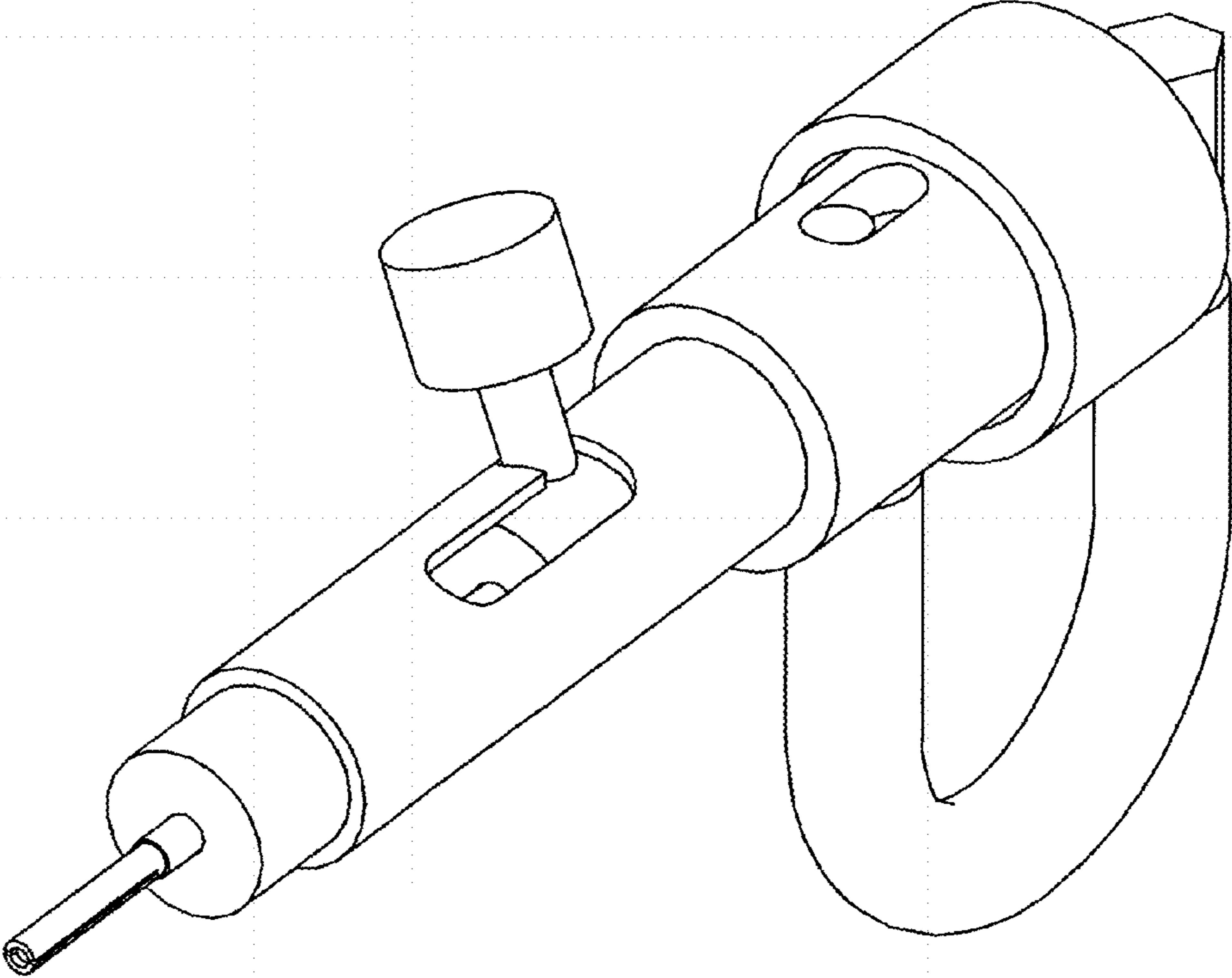


FIG 1

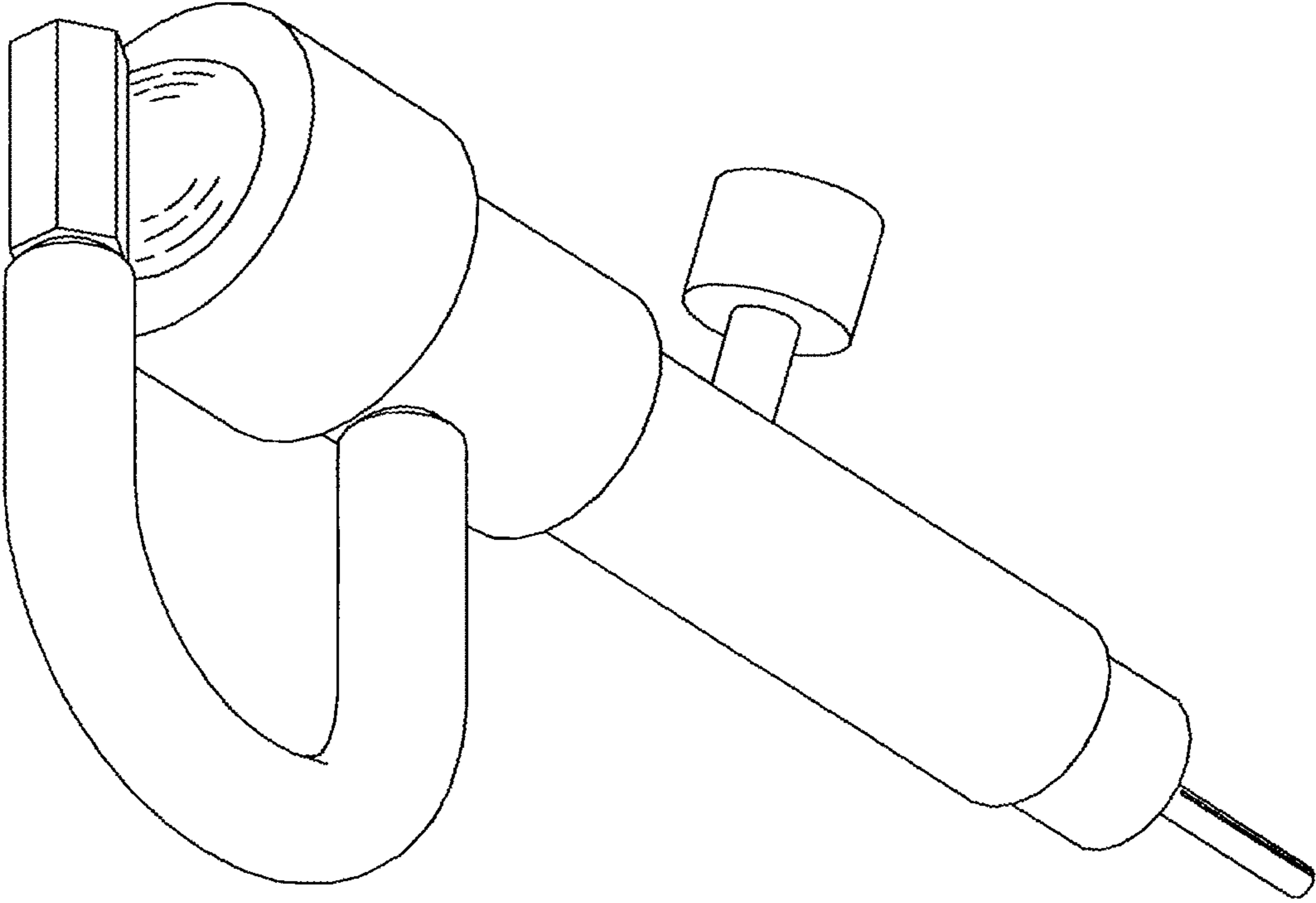


FIG 2

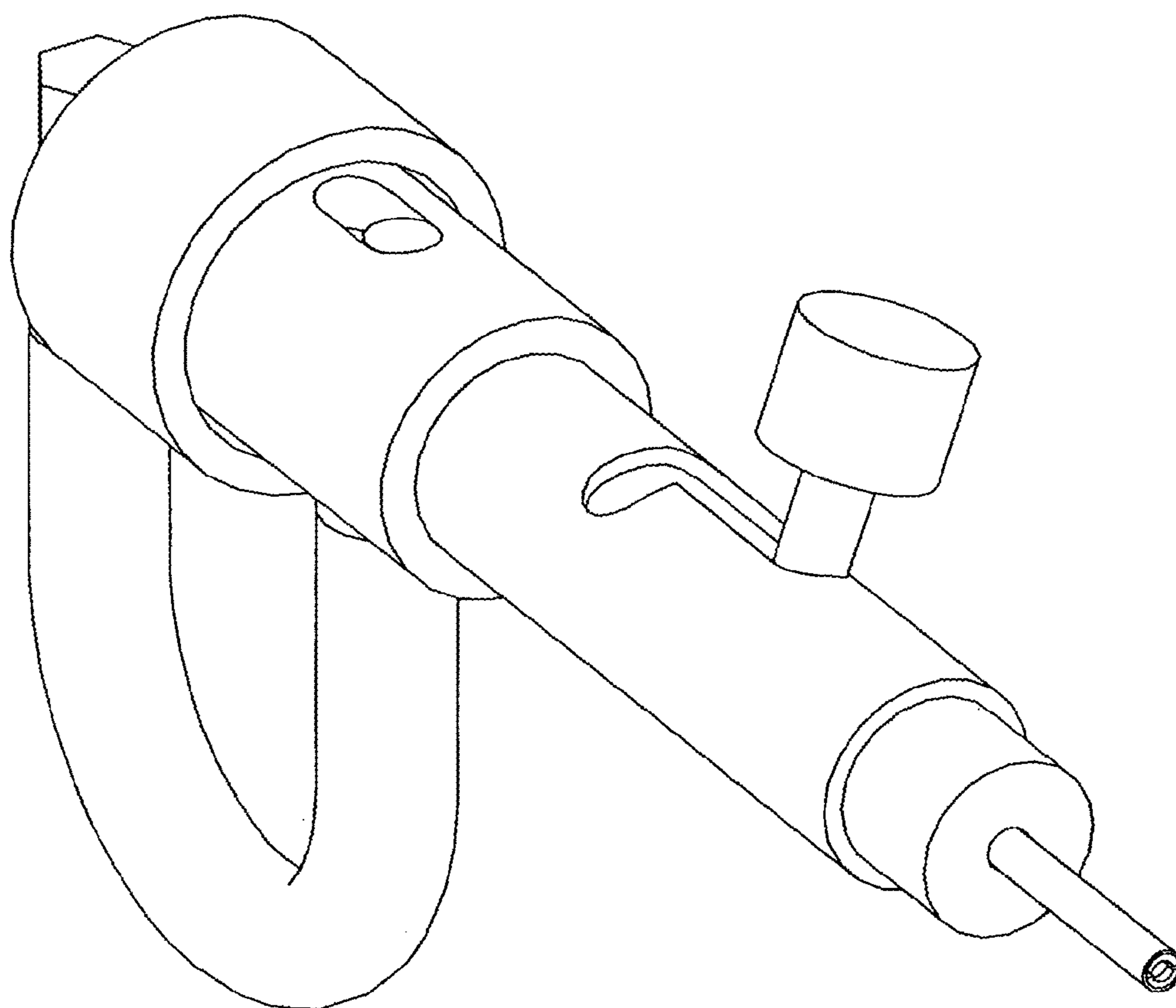


FIG 3

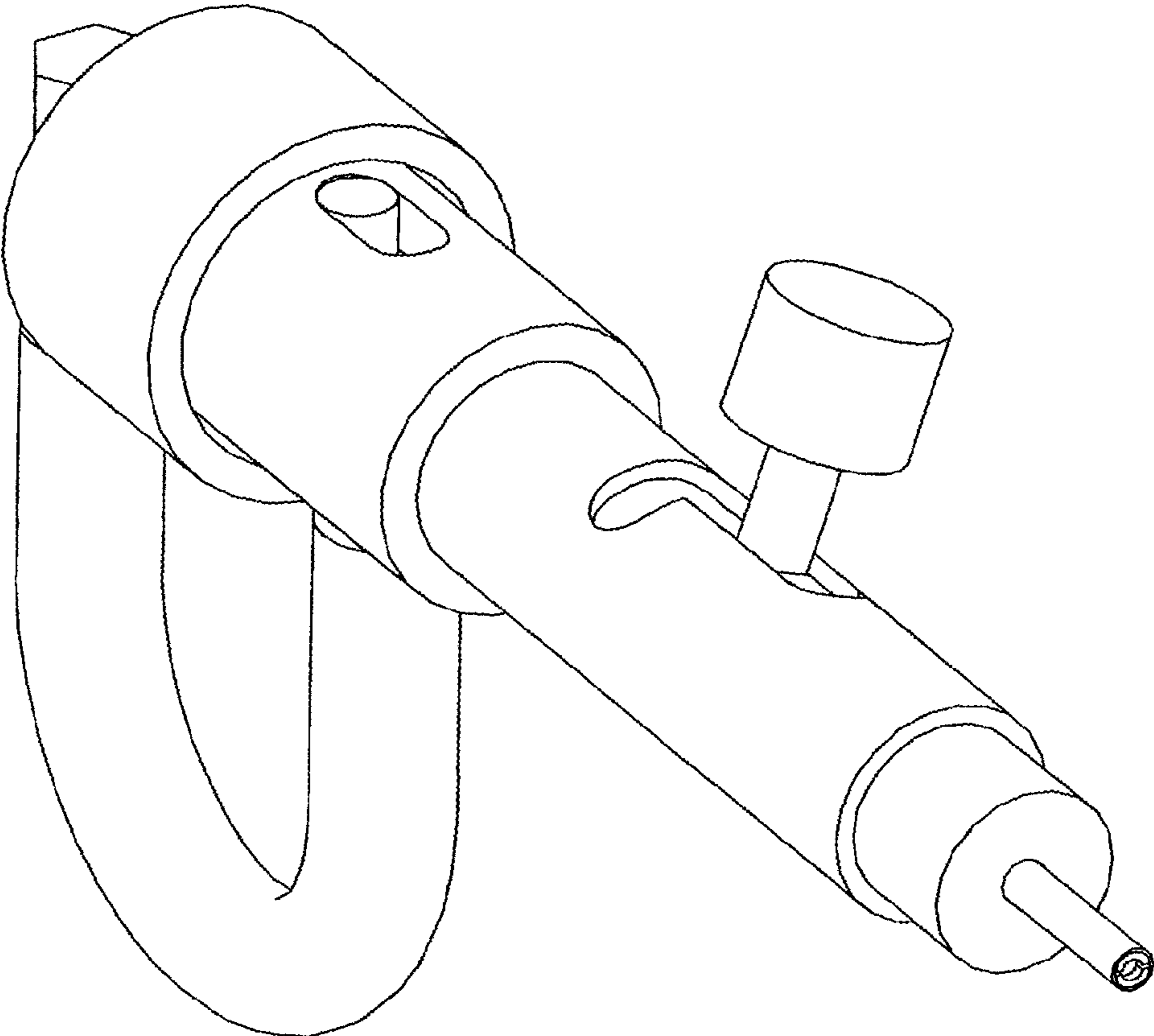


FIG 4

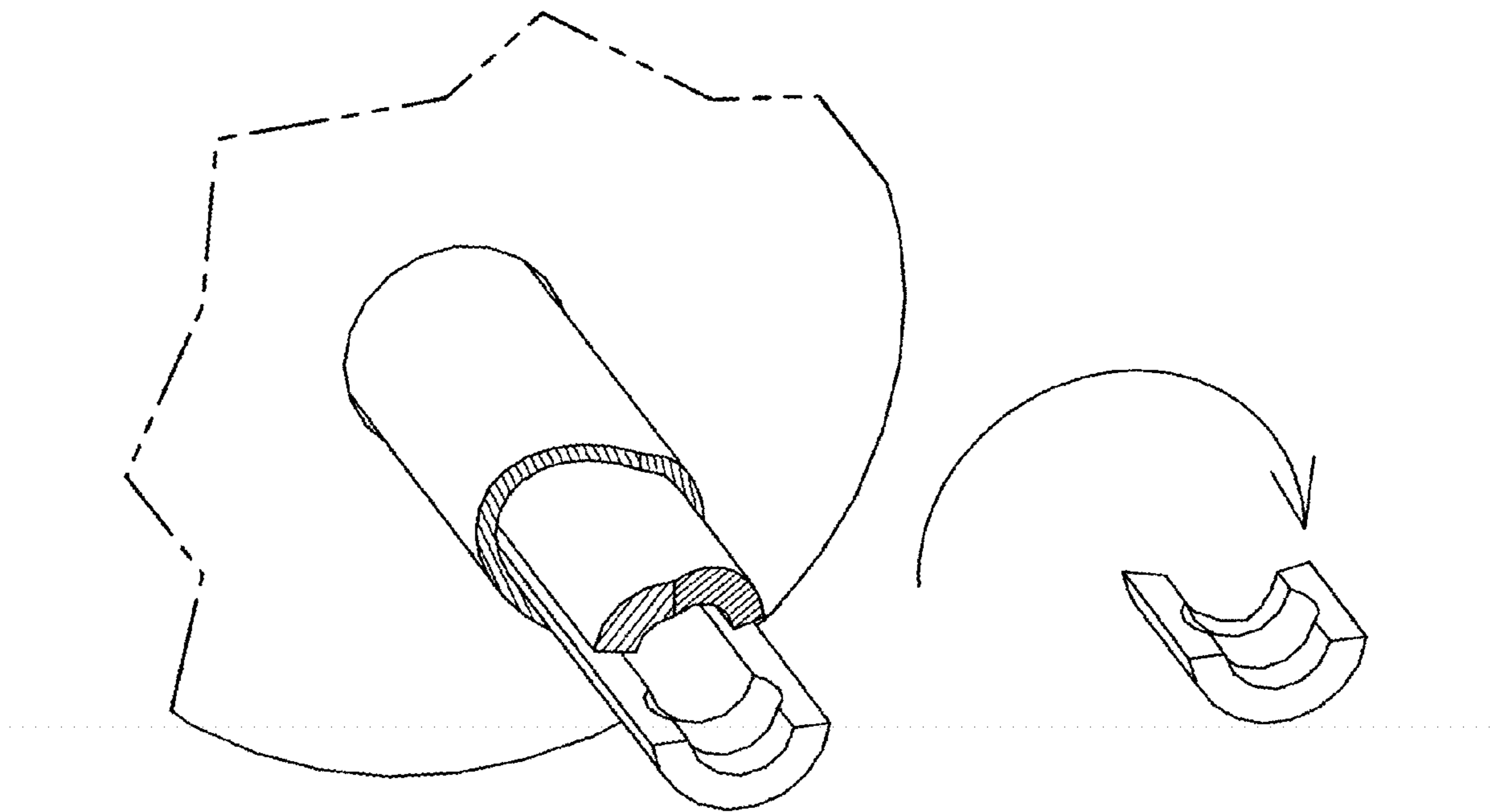


FIG 5

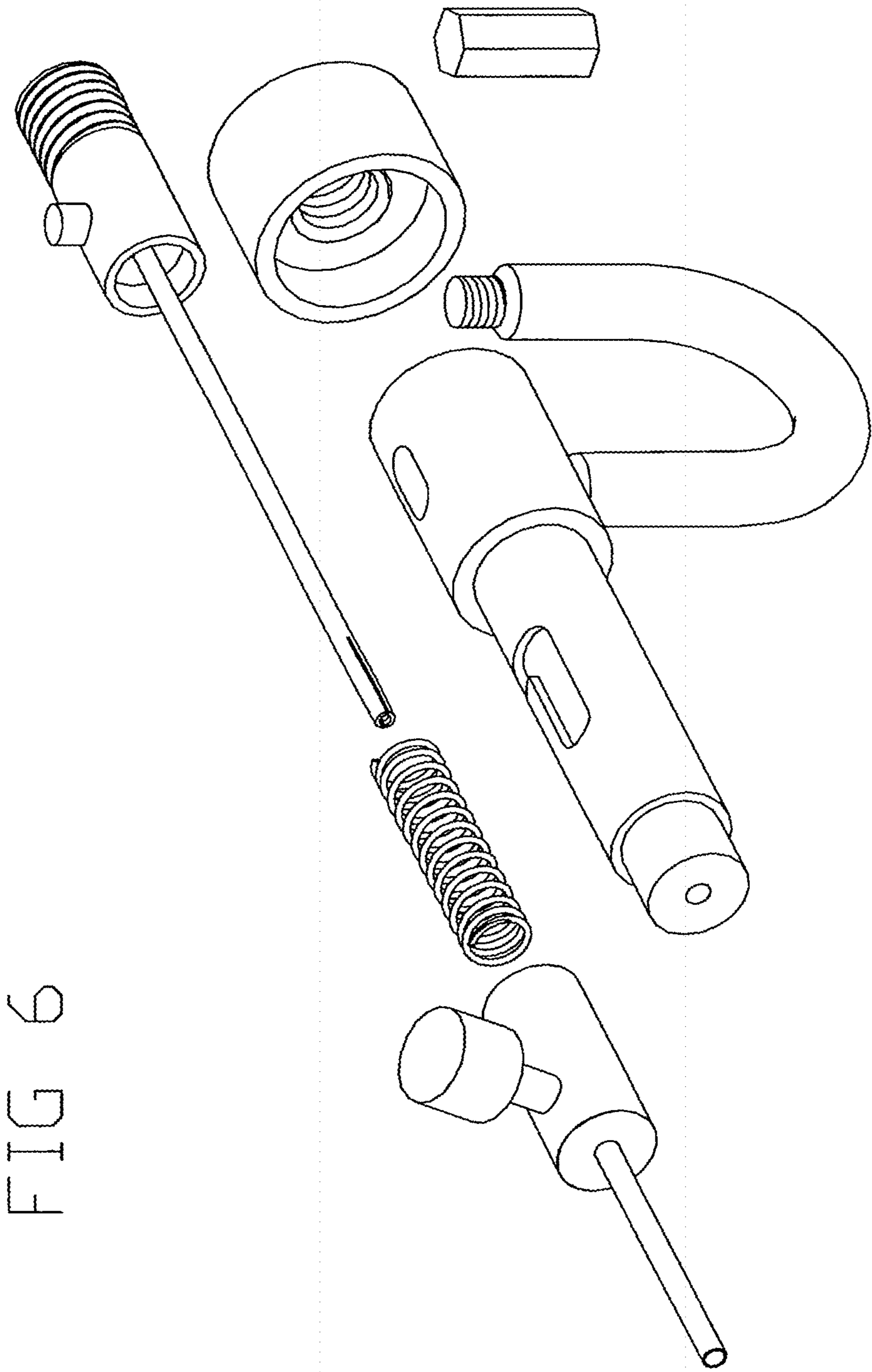
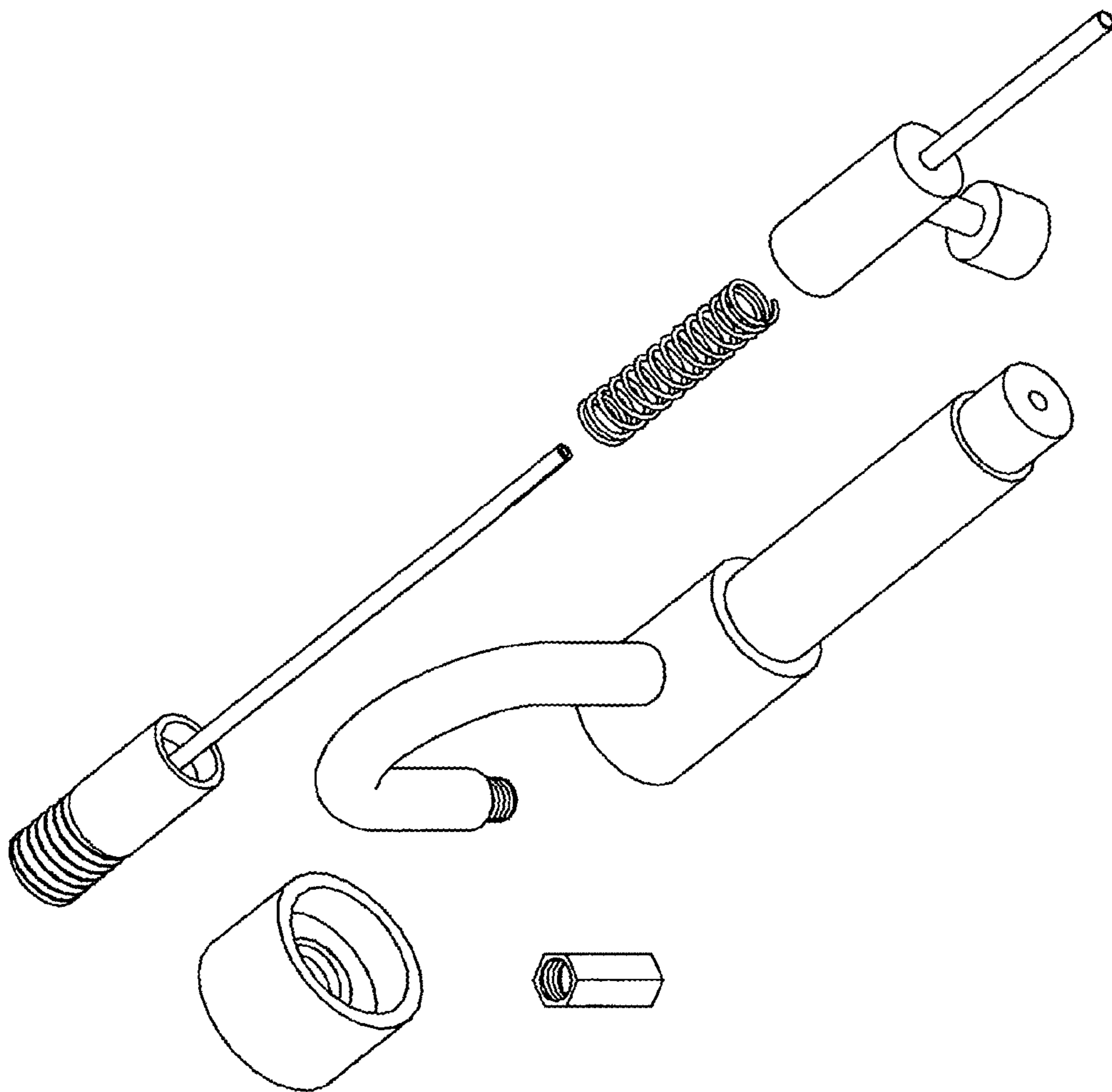


FIG 6

FIG 7



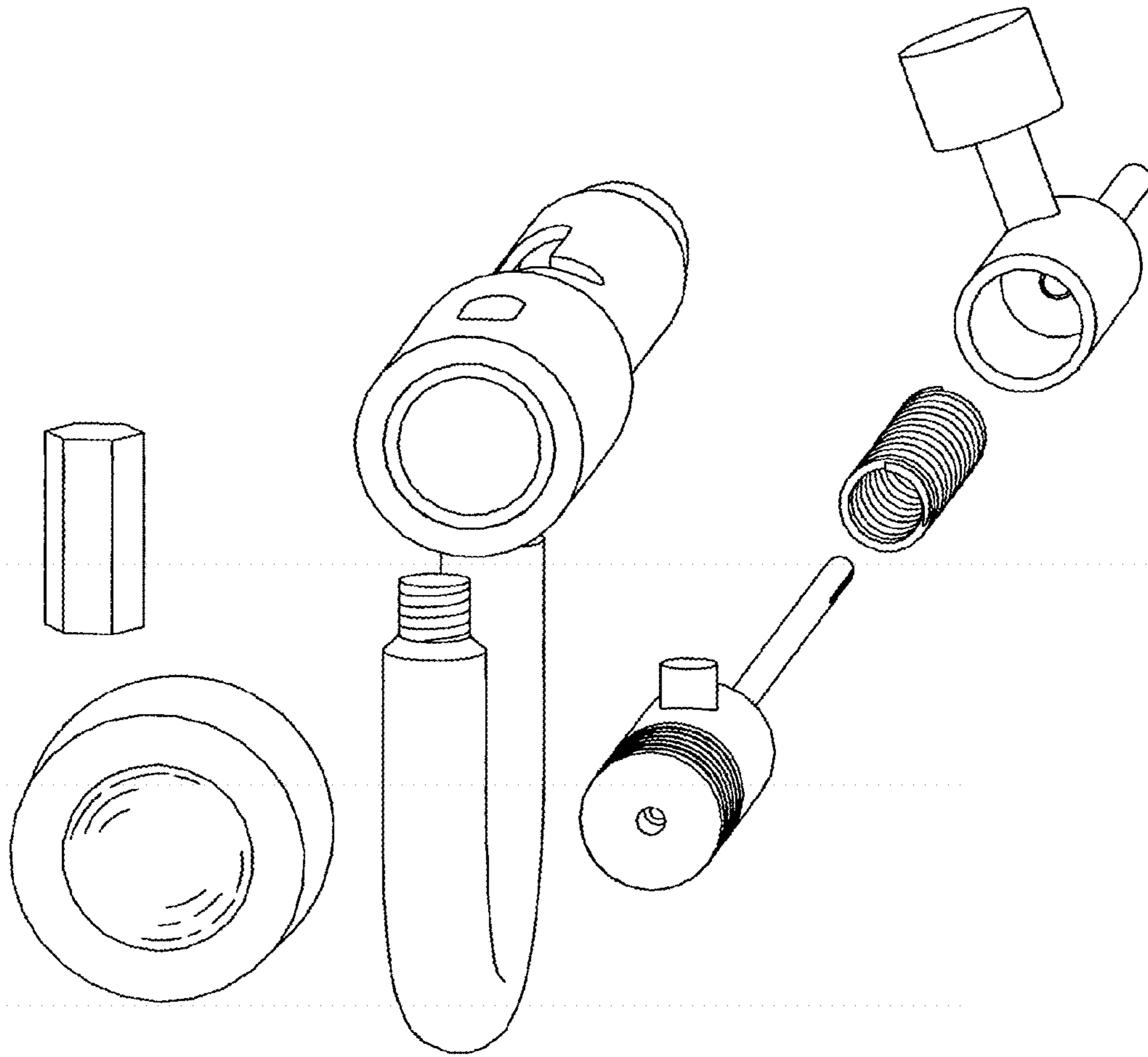


FIG 8

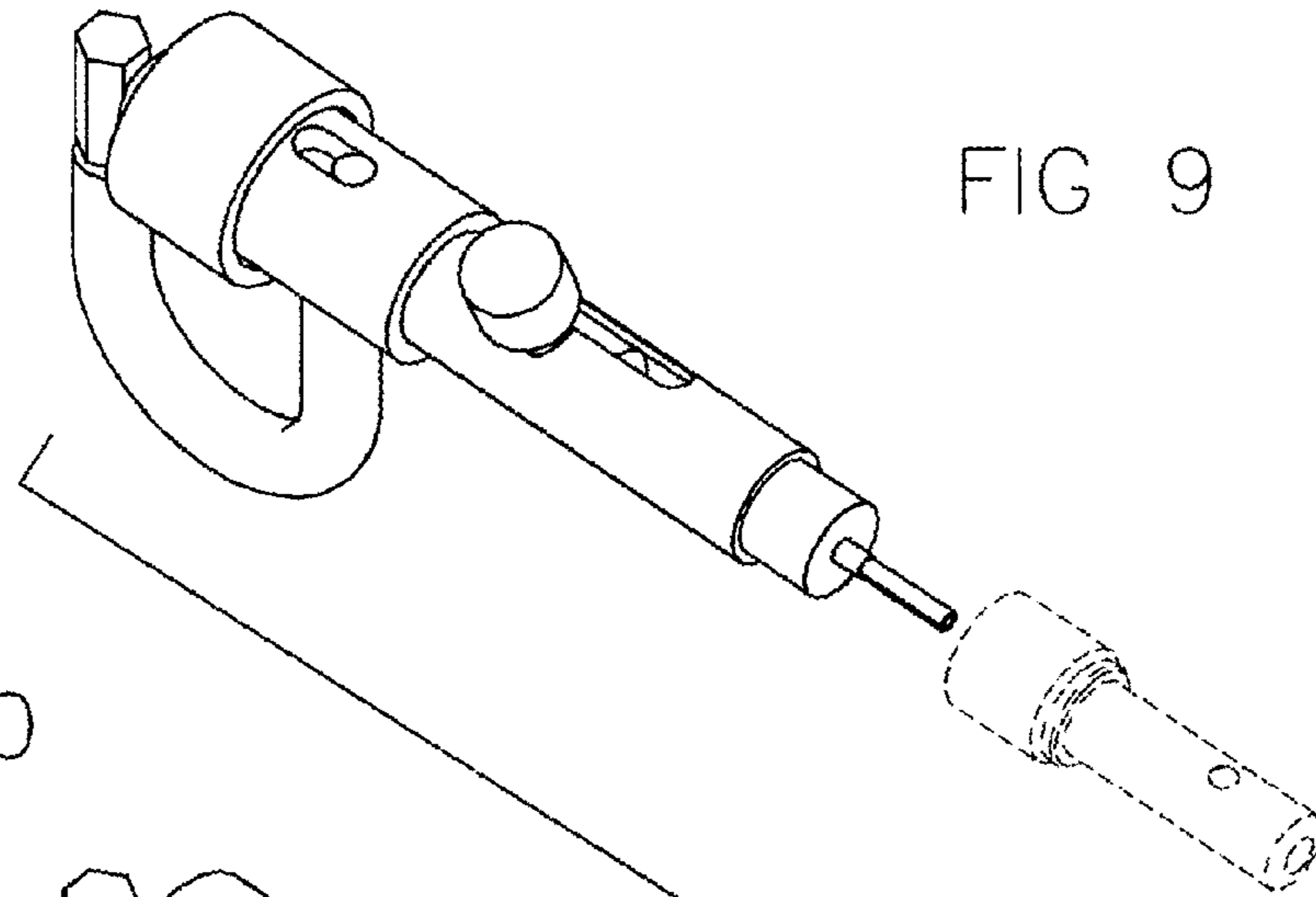


FIG 10

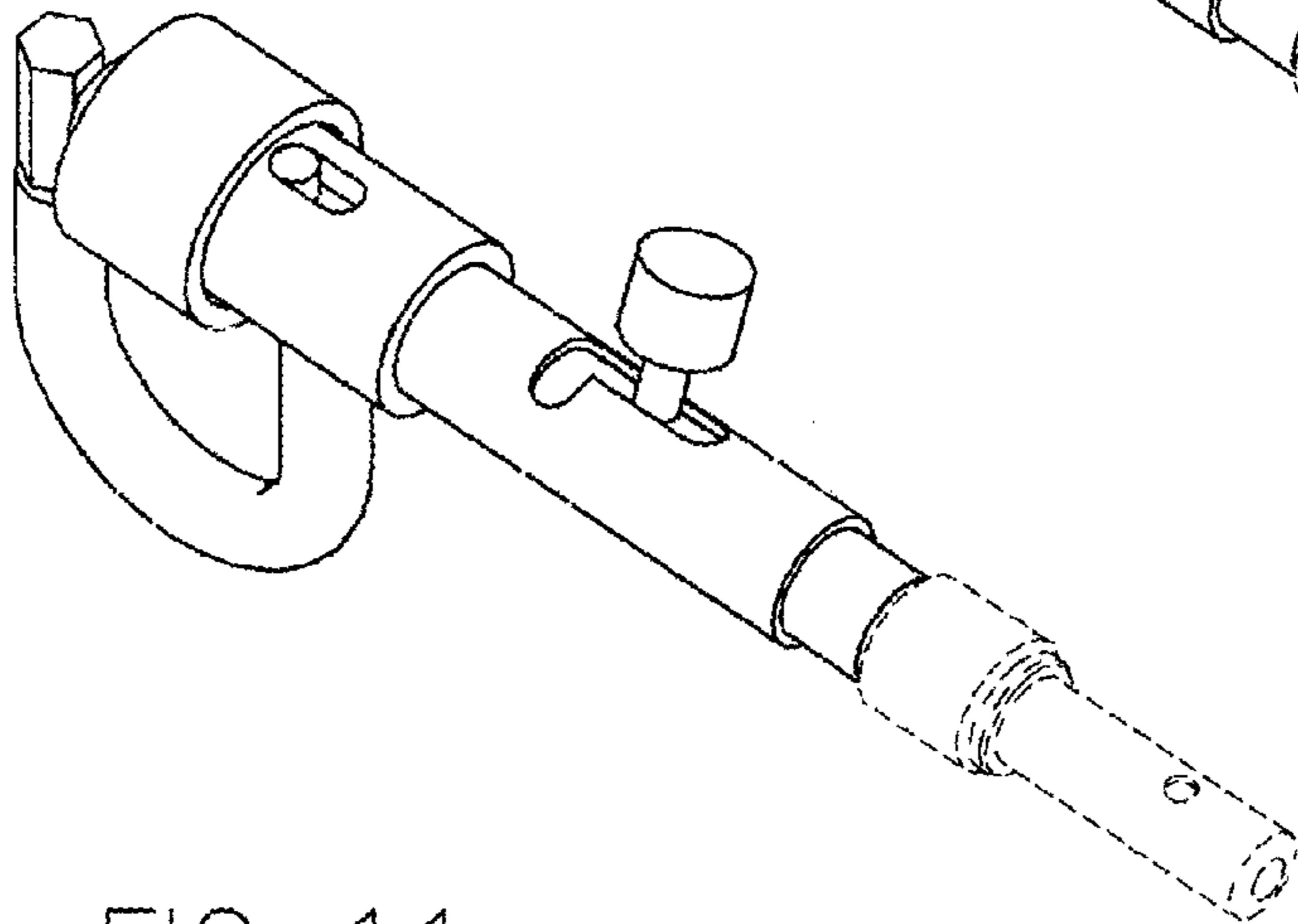
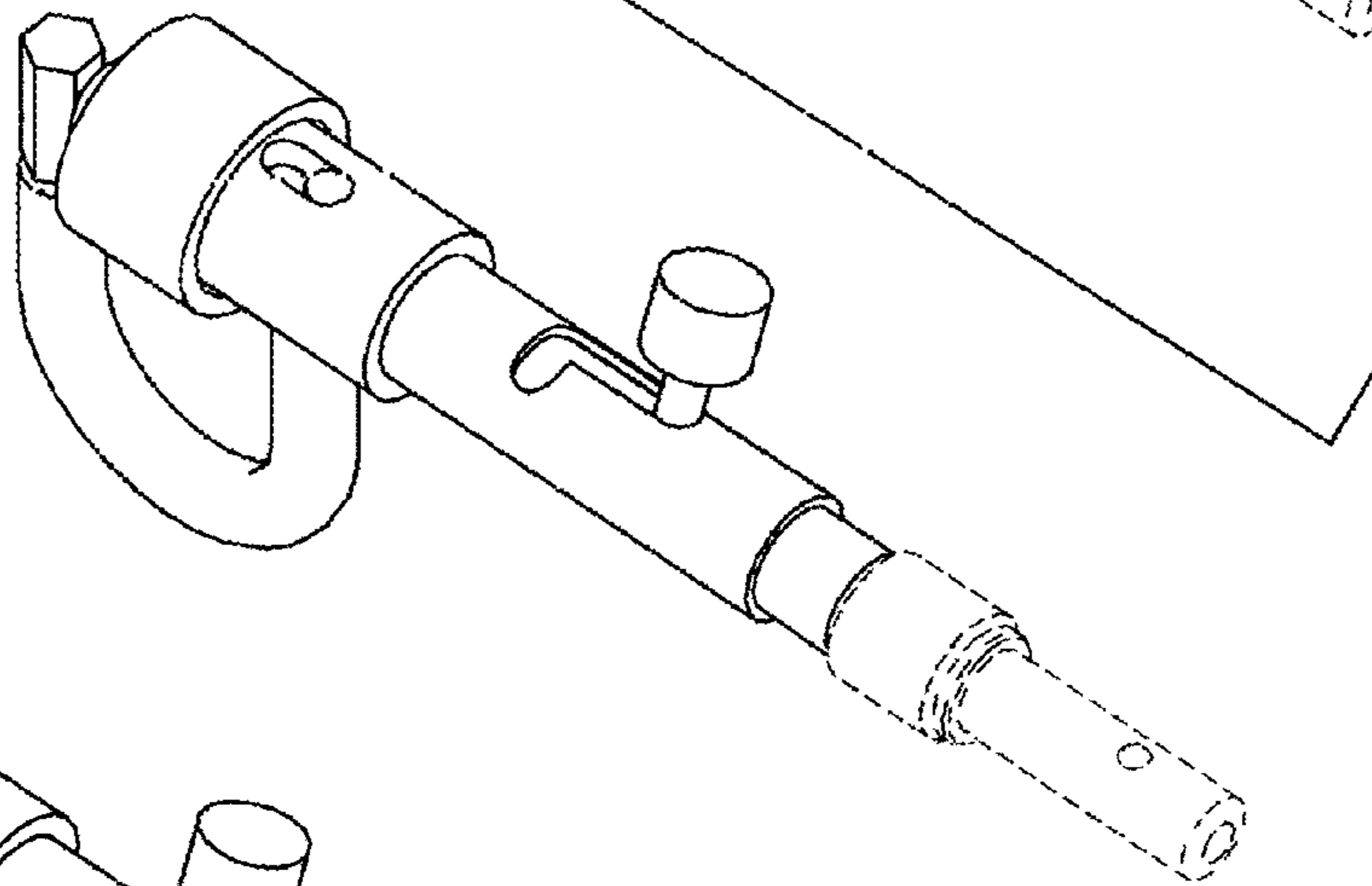


FIG 11