



US00D753460S

(12) **United States Design Patent**
Caston

(10) **Patent No.:** **US D753,460 S**
(45) **Date of Patent:** **** Apr. 12, 2016**

(54) **FOLDING KNIFE**

- (71) Applicant: **Spyderco, Inc.**, Golden, CO (US)
- (72) Inventor: **Darriel K. Caston**, Folsom, CA (US)
- (73) Assignee: **SPYDERCO, INC.**, Golden, CO (US)
- (**) Term: **14 Years**
- (21) Appl. No.: **29/506,543**
- (22) Filed: **Oct. 16, 2014**

- (51) **LOC (10) Cl.** **08-03**
- (52) **U.S. Cl.**
USPC **D8/99**
- (58) **Field of Classification Search**
USPC D8/98, 99; D22/118; 30/152-160
CPC B26B 1/00; B26B 1/02; B26B 1/04;
B26B 1/10; B26B 1/046
See application file for complete search history.

(56) **References Cited**

U.S. PATENT DOCUMENTS

2,596,294	A *	5/1952	Schrade	30/161
4,312,128	A *	1/1982	Olsen	30/157
D411,091	S *	6/1999	Halligan	D8/99
D414,671	S *	10/1999	Halligan	D8/99
D429,986	S *	8/2000	Cheng	D8/99
6,101,722	A *	8/2000	Cheng	30/155
6,101,724	A *	8/2000	Halligan	30/161
6,105,255	A *	8/2000	Cheng	30/161
D492,568	S *	7/2004	Allen	D8/99
6,804,887	B2 *	10/2004	Cheng	30/161
6,848,184	B2 *	2/2005	Cheng	30/155
D505,057	S *	5/2005	Ralph	D8/99
D605,021	S *	12/2009	Noraker	D8/99
D605,022	S *	12/2009	Noraker	D8/99

(Continued)

OTHER PUBLICATIONS

Notice of Grant (with English translation) for Chinese Patent Application No. 201430149199.5, dated Sep. 5, 2014, 5 pages.

(Continued)

Primary Examiner — Phillip S Hyder

(74) *Attorney, Agent, or Firm* — Sheridan Ross P.C.

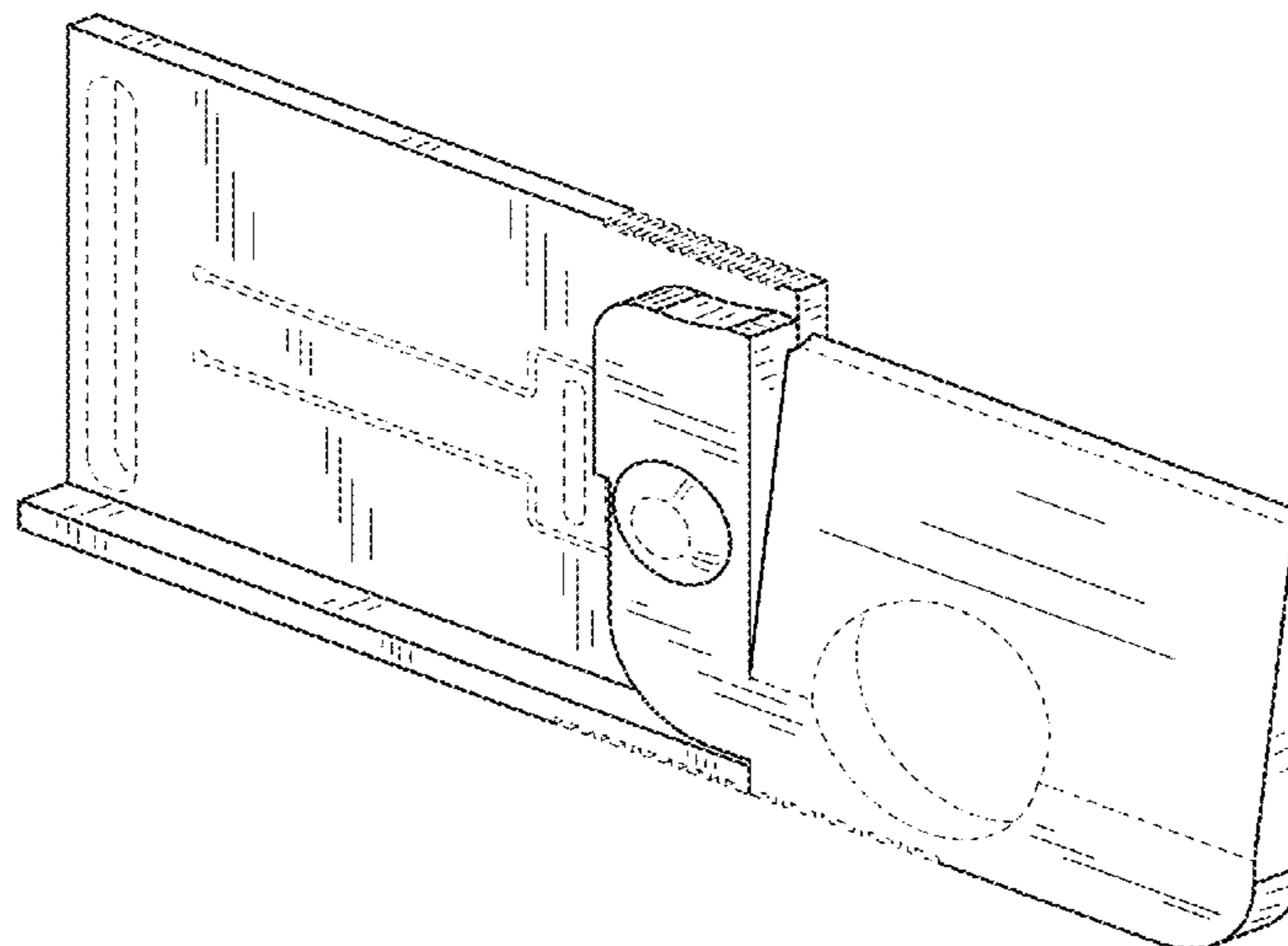
(57) **CLAIM**

The ornamental design for a folding knife, as shown and described.

DESCRIPTION

FIG. 1 is a perspective view of the folding knife in an open position;
 FIG. 2 is a front elevation view thereof;
 FIG. 3 is a rear elevation view thereof;
 FIG. 4 is a left elevation view thereof;
 FIG. 5 is a right elevation view thereof;
 FIG. 6 is a top plan view thereof;
 FIG. 7 is bottom plan view thereof;
 FIG. 8 is a perspective view of the folding knife in a closed position;
 FIG. 9 is a perspective view of the folding knife according to an alternative embodiment shown in an open position;
 FIG. 10 is a front elevation view of the folding knife of FIG. 9;
 FIG. 11 is a rear elevation view of the folding knife of FIG. 9;
 FIG. 12 is a left elevation view of the folding knife of FIG. 9;
 FIG. 13 is a right elevation view of the folding knife of FIG. 9;
 FIG. 14 is a top plan view of the folding knife of FIG. 9;
 FIG. 15 is bottom plan view of the folding knife of FIG. 9;
 and,
 FIG. 16 is a perspective view of the folding knife of FIG. 9 in a closed position.
 The broken lines depict portions of the folding knife in which the design is embodied that are not considered part of the claimed design.

1 Claim, 8 Drawing Sheets



(56)

References Cited

U.S. PATENT DOCUMENTS

D623,040 S * 9/2010 Freeman et al. D8/107
D664,826 S * 8/2012 Lebeau D8/99
D664,827 S * 8/2012 Lebeau D8/99

OTHER PUBLICATIONS

Notice of Allowance for U.S. Appl. No. 29/476,522, dated Apr. 7, 2015, 10 pages.

U.S. Appl. No. 29/476,522, filed Dec. 13, 2013, Panchenko.

“Curtiss Knives ‘Dogtag’ framelock,” Sep. 16, 2011, retrieved from www.usualsuspect.net/forums/showthread.php?590181-Curtiss-Knive, 5 pages.

“Curtiss Knives ‘Dogtag’ sign-up,” Sep. 16, 2011, retrieved from www.usualsuspect.net/forums/showthread.php?590185-Curtiss-Knive, 12 pages.

“Dogtag Folder GAW!!!” Curtiss Knives, Sep. 18, 2012, retrieved from www.usualsuspect.net/forums/showthread.php?674650-DOGTAG-Folder-GAW, 5 pages.

“Dogtag Folder poll,” Curtiss Knives, Aug. 17, 2012, retrieved from www.usualsuspect.net/forums/showthread.php?666302-Dogtag-Folder, 13 pages.

* cited by examiner

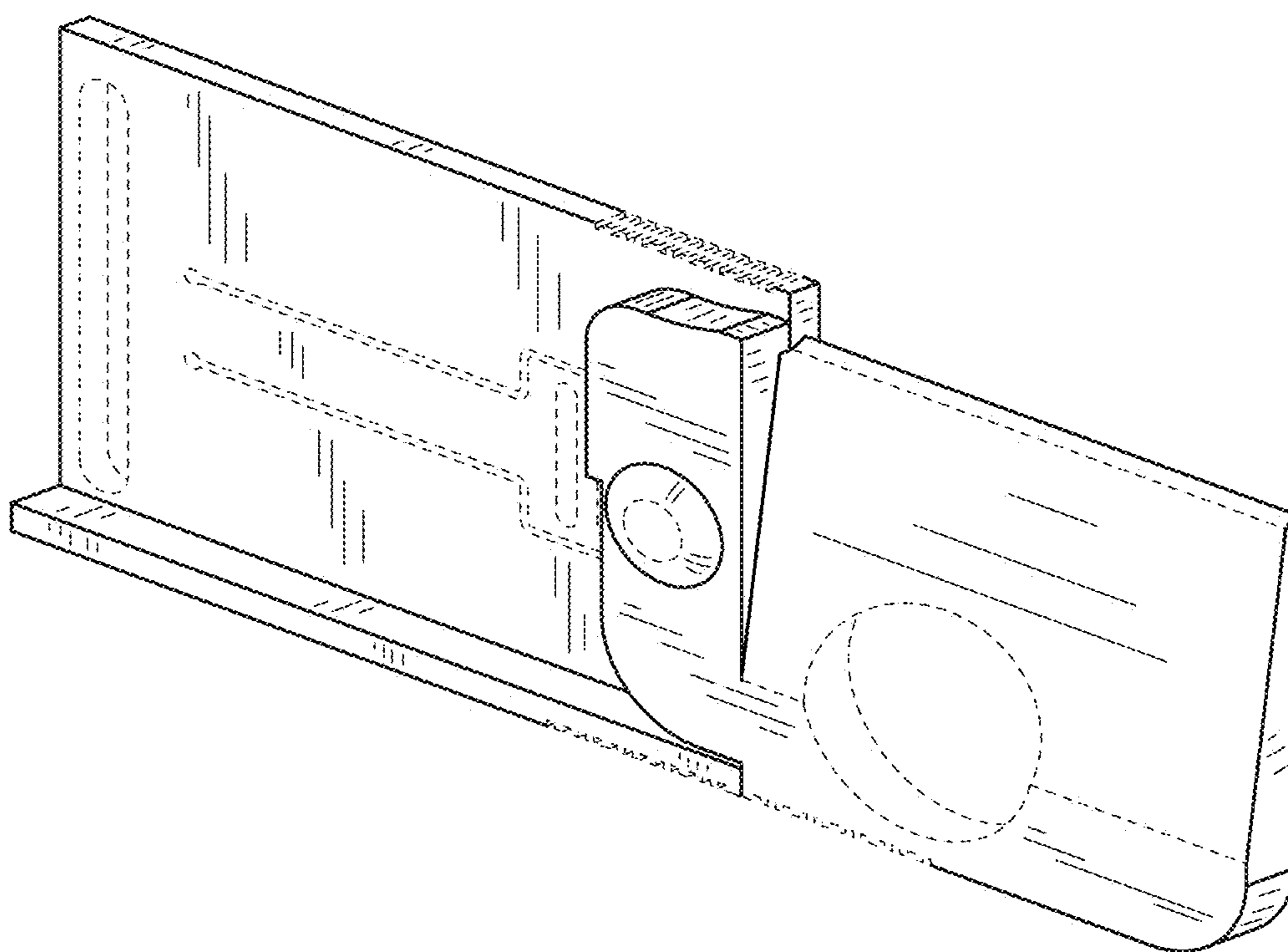


FIG.1

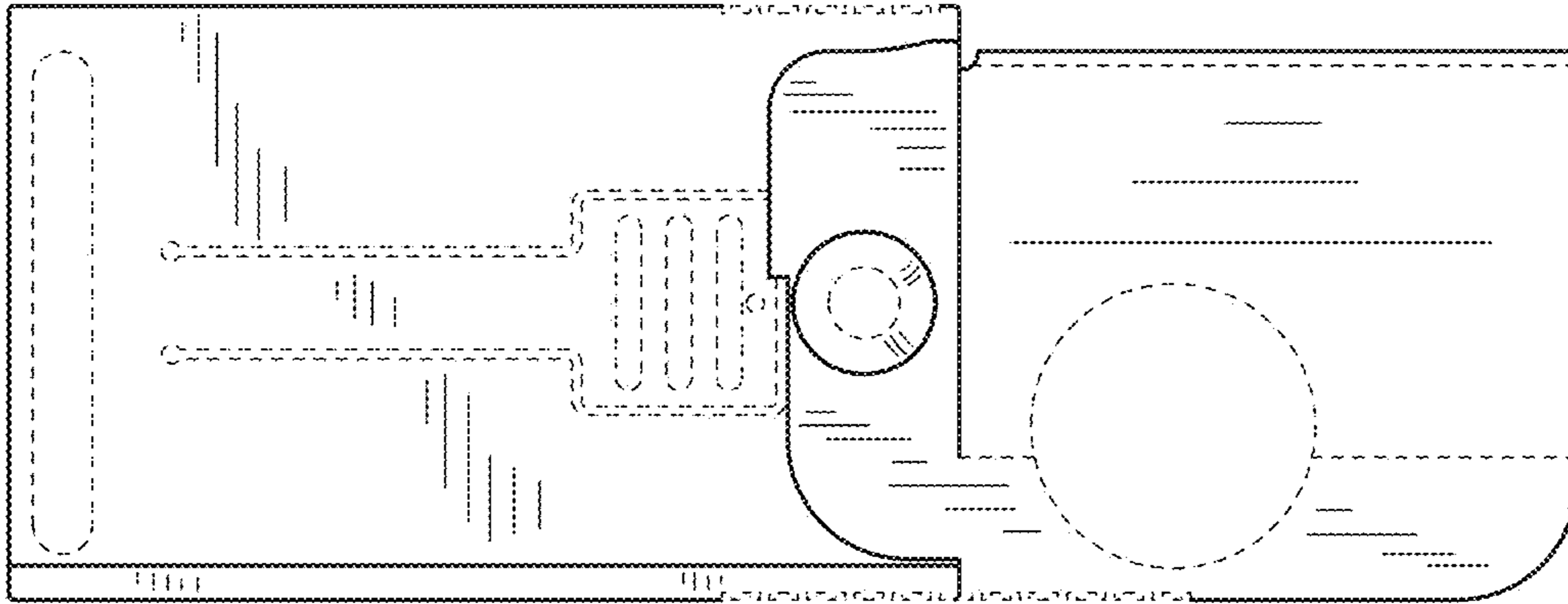


FIG. 2

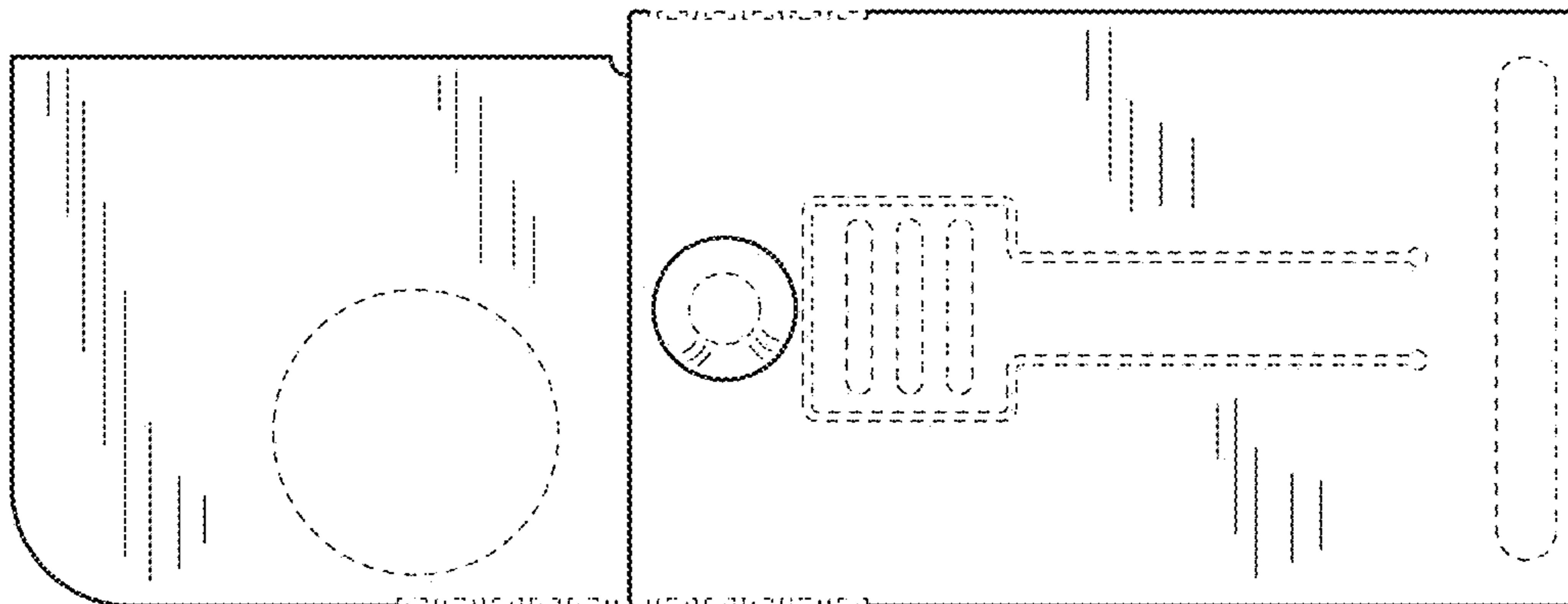


FIG. 3

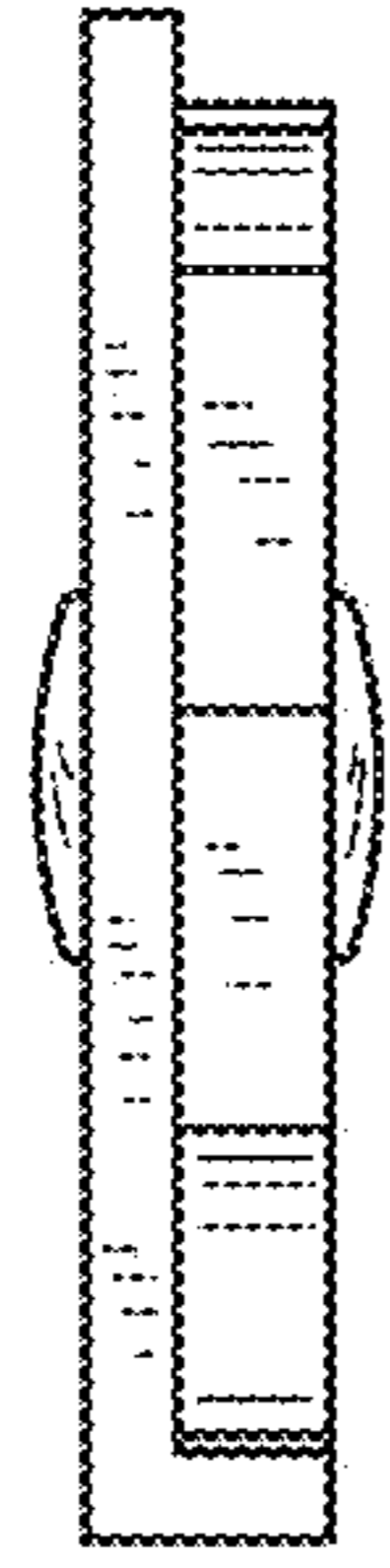


FIG. 4

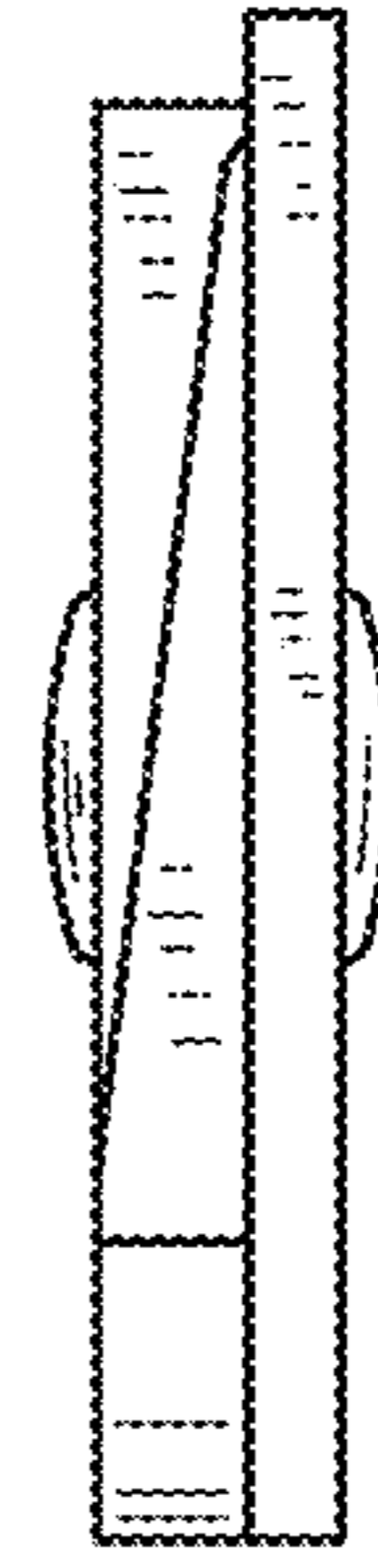


FIG. 5

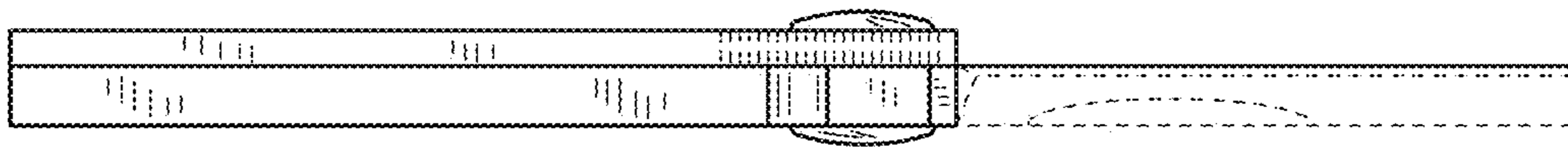


FIG. 6

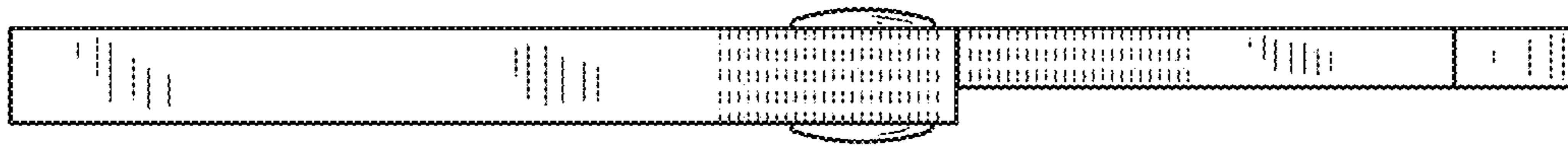


FIG. 7

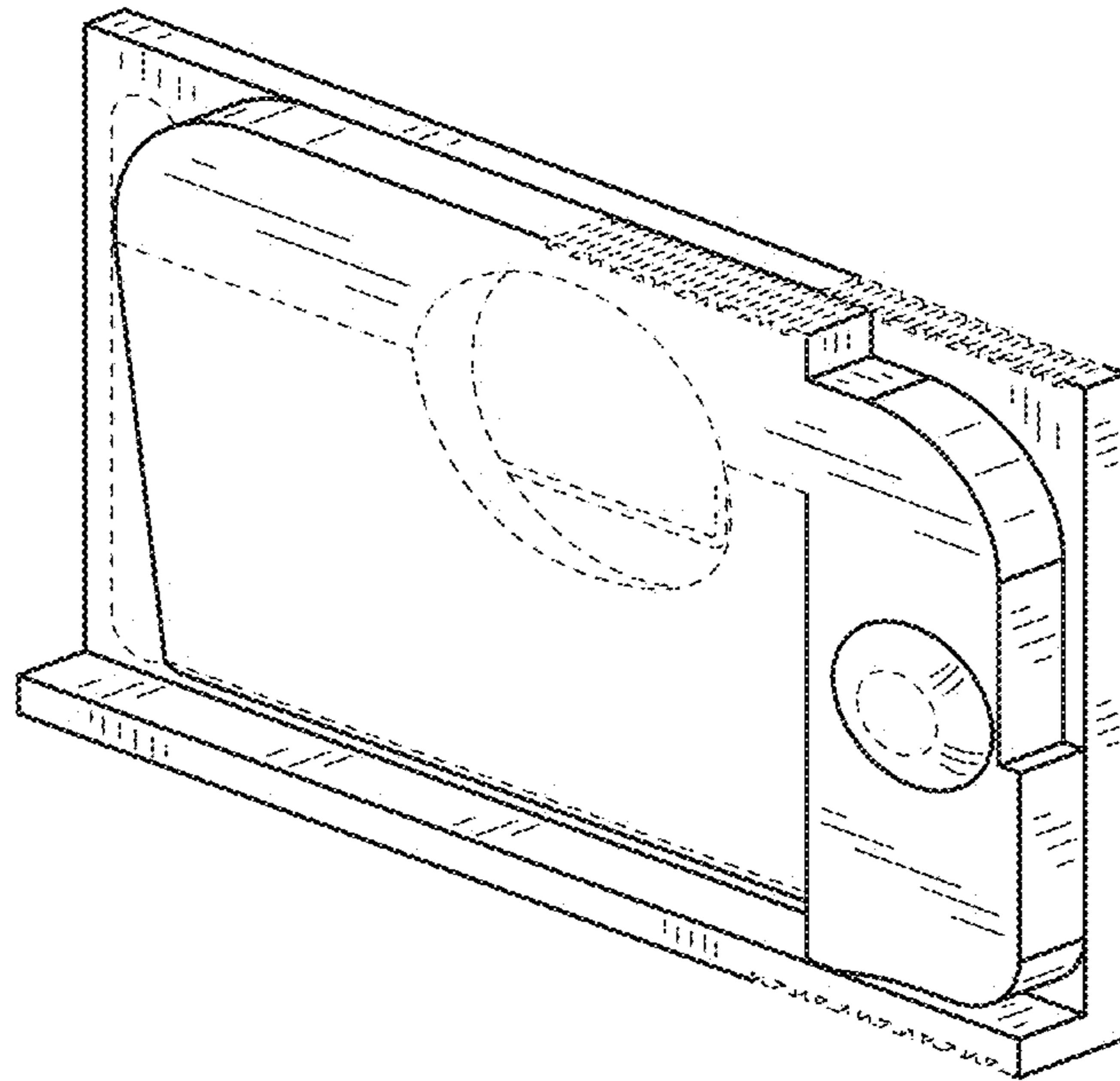


FIG.8

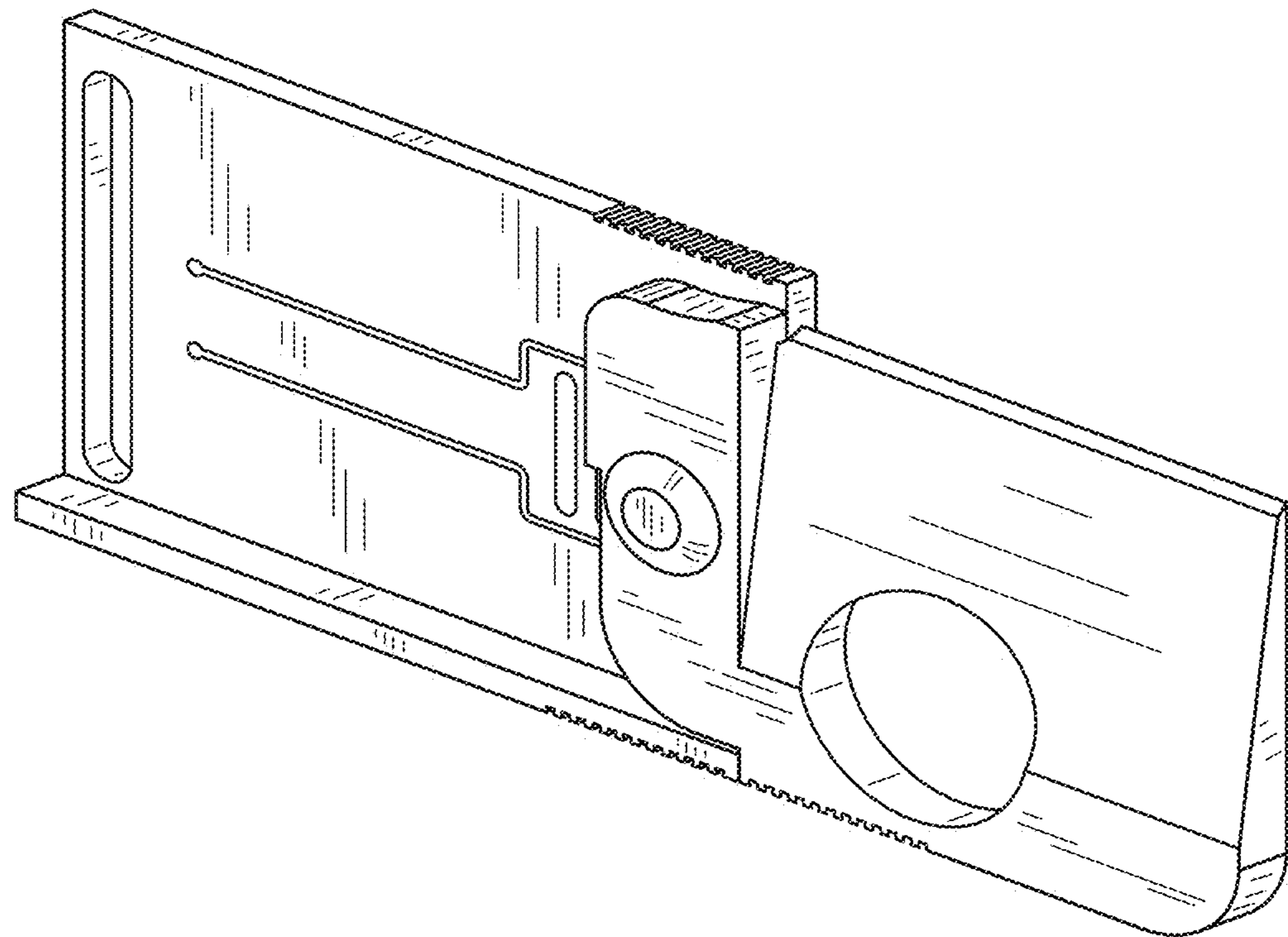


FIG.9

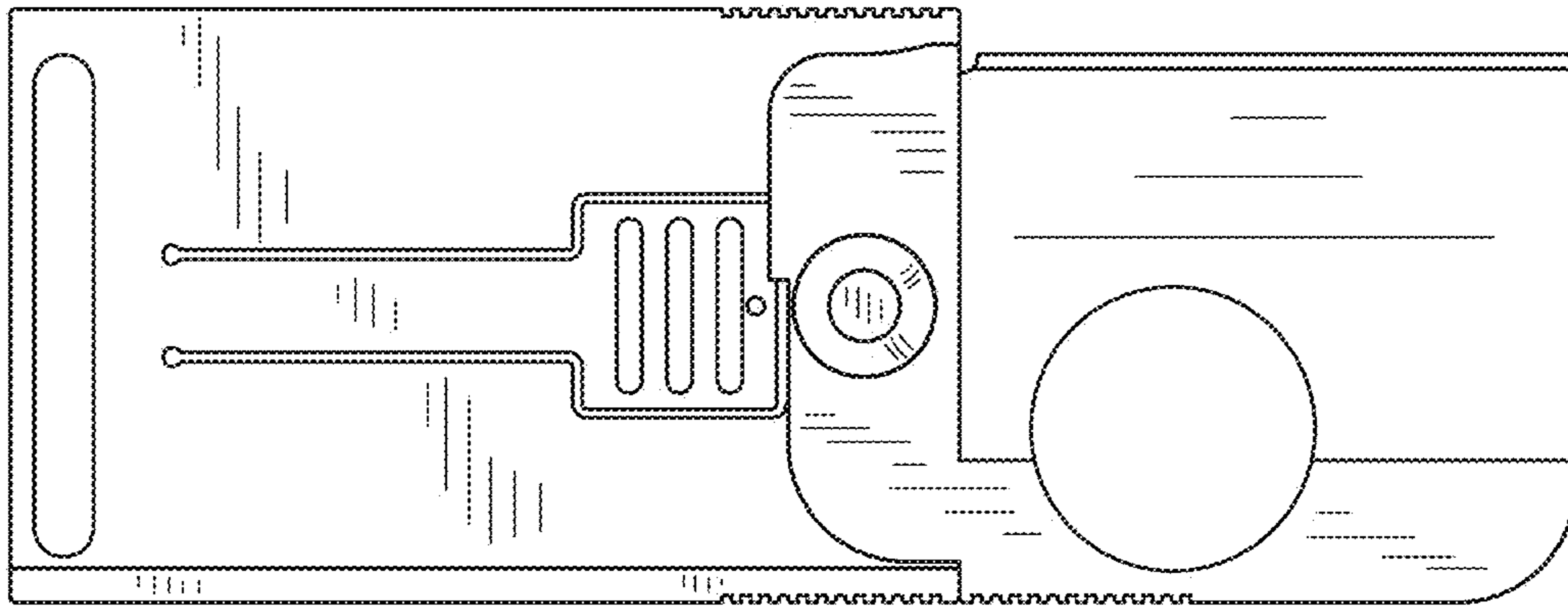


FIG. 10

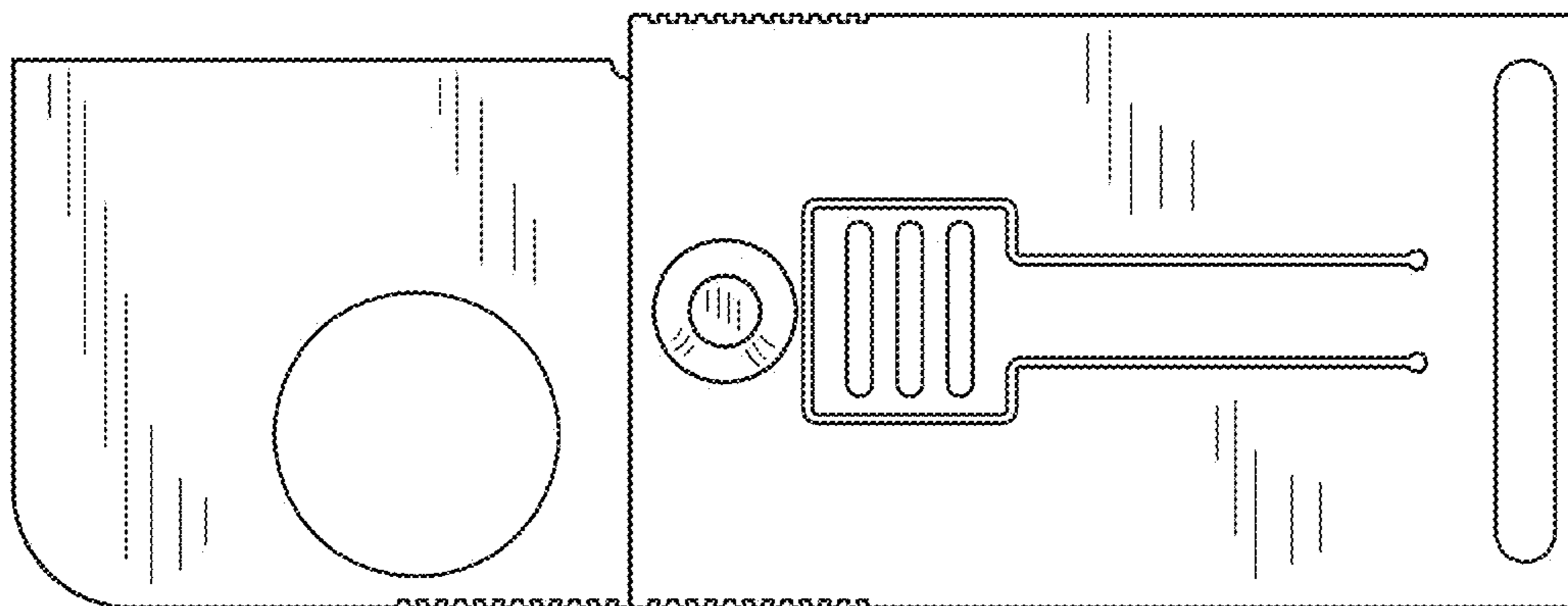


FIG. 11

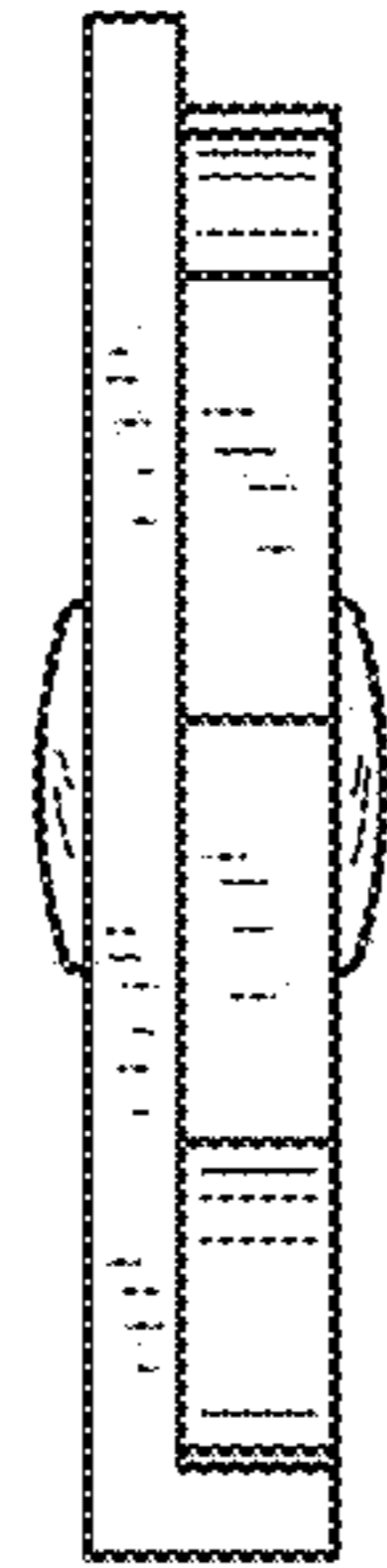


FIG. 12

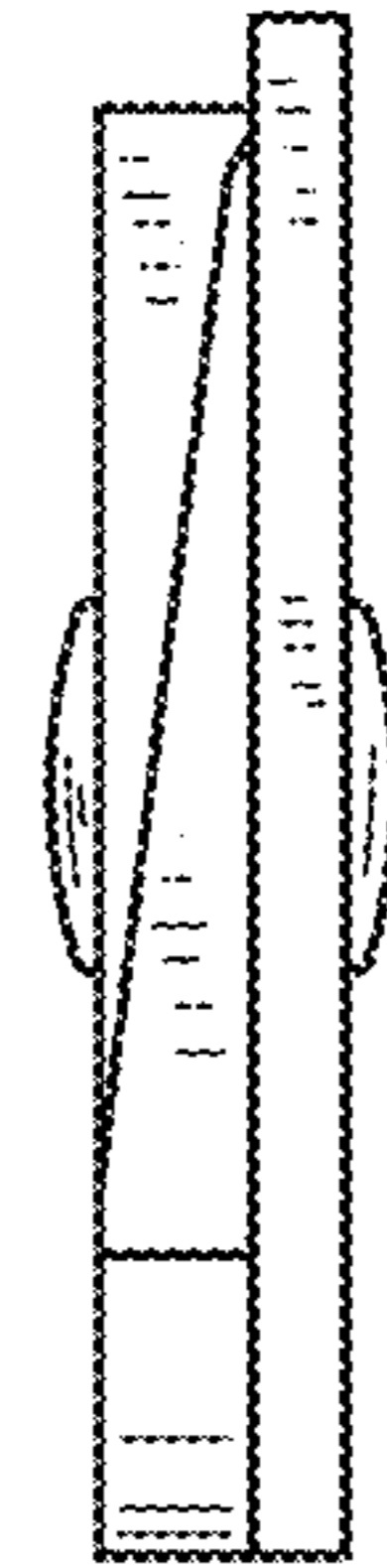


FIG. 13

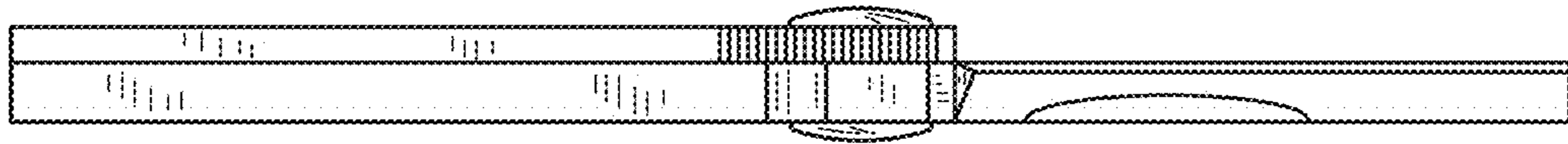


FIG. 14

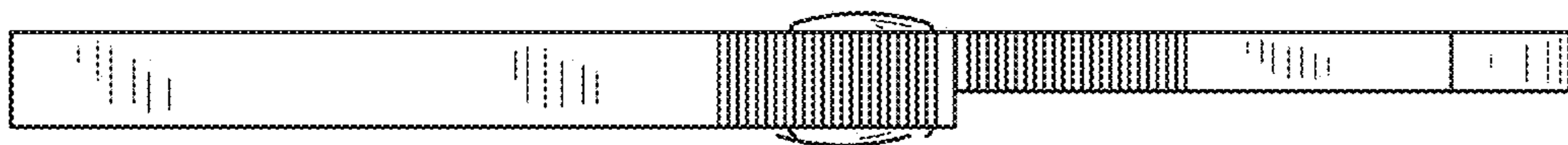


FIG. 15

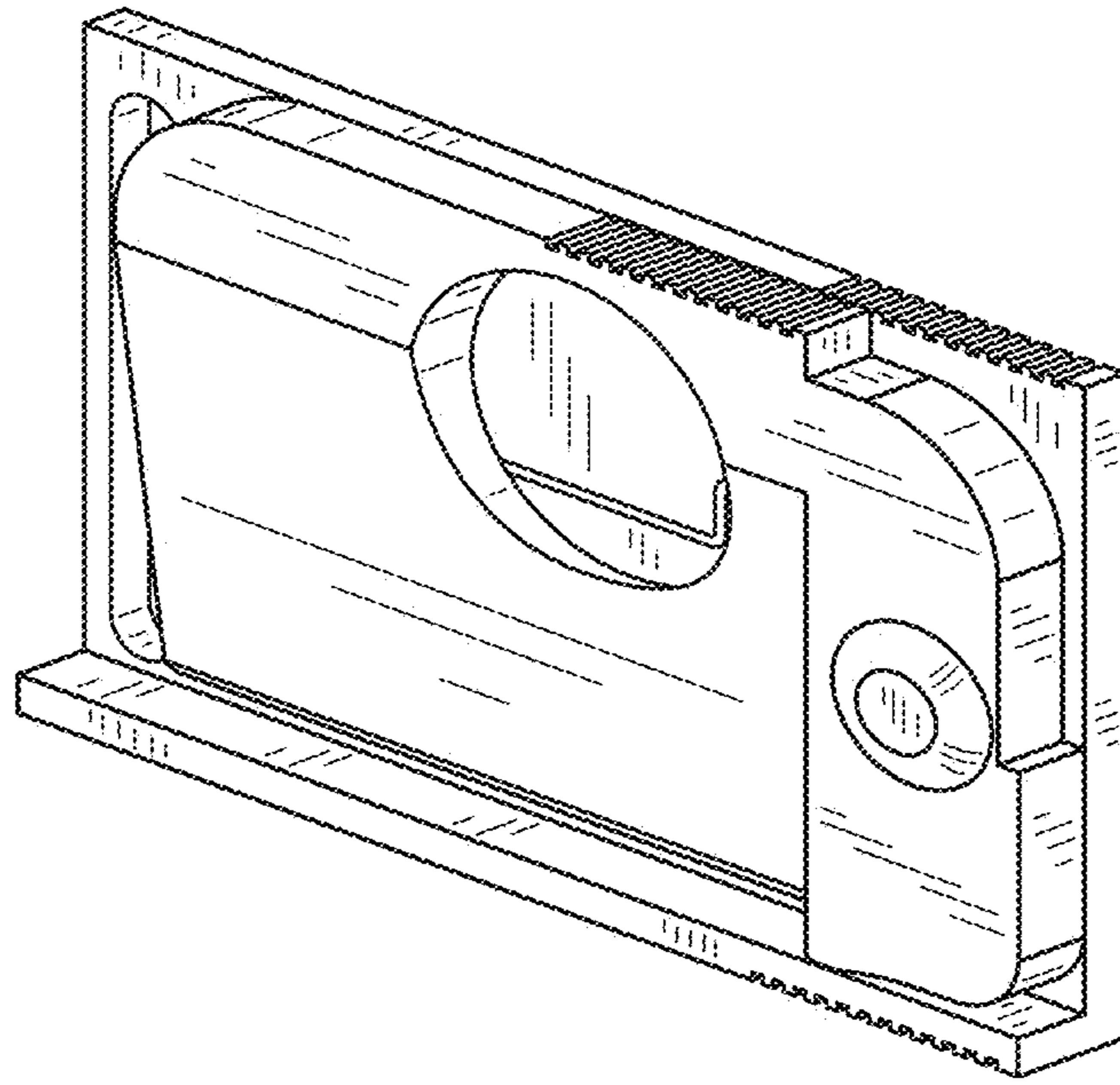


FIG. 16