



US00D753457S

(12) **United States Design Patent**
Hurt et al.

(10) **Patent No.:** **US D753,457 S**
(45) **Date of Patent:** **** Apr. 12, 2016**

- (54) **SANDING TOOL**
- (71) Applicant: **FlexPro Industries, LLC**, Cincinnati, OH (US)
- (72) Inventors: **James L. Hurt**, Cincinnati, OH (US); **James R. Momper**, Cincinnati, OH (US); **Stephen Laux**, Cincinnati, OH (US); **David Hayne**, Covington, KY (US); **James Busemeyer**, Cincinnati, OH (US)
- (73) Assignee: **FlexPro Industries, LLC**, Cincinnati, OH (US)
- (**) Term: **14 Years**
- (21) Appl. No.: **29/473,988**
- (22) Filed: **Nov. 27, 2013**
- (51) **LOC (10) Cl.** **08-05**
- (52) **U.S. Cl.**
USPC **D8/90; D8/45**
- (58) **Field of Classification Search**
USPC 15/235.4, 236.01, 245-245.1; D32/40-41, 46, 48-49; D8/14, 45, D8/90-94; D7/688; 7/105; 451/502-503, 451/523-525, 539-540
CPC A47L 13/022; B25B 23/12; B25G 1/00; B25G 1/10; B25G 1/102; B25G 3/14; B26B 5/005; E04F 21/06; E04F 21/16
See application file for complete search history.

- 1,864,616 A 6/1932 Rayner
- D91,979 S 4/1934 Blake
- 2,154,814 A 4/1939 Hill
- 2,376,477 A 5/1945 Craven
- 2,401,116 A 5/1946 Stang
- 2,415,367 A 2/1947 Pavlovic
- 2,424,702 A 7/1947 Miller
- 2,429,550 A 10/1947 Hein
- 2,446,134 A 7/1948 Hill

(Continued)

FOREIGN PATENT DOCUMENTS

GB 2065512 A 7/1981

OTHER PUBLICATIONS

Carlson, Marc, Non-final Office Action issued in U.S. Appl. No. 13/792,725; Notification Date: May 22, 2015; 30 pages.

(Continued)

Primary Examiner — Philip S Hyder

Assistant Examiner — Roselynn Cody

(74) *Attorney, Agent, or Firm* — Ulmer & Berne LLP

(57) **CLAIM**

The ornamental design for a sanding tool, as shown and described.

DESCRIPTION

FIG. 1 is a front view of the sanding tool; the rear view is an identical image, thereof.

FIG. 2 is a left side view of the sanding tool of FIG. 1; the right side view is an identical image, thereof.

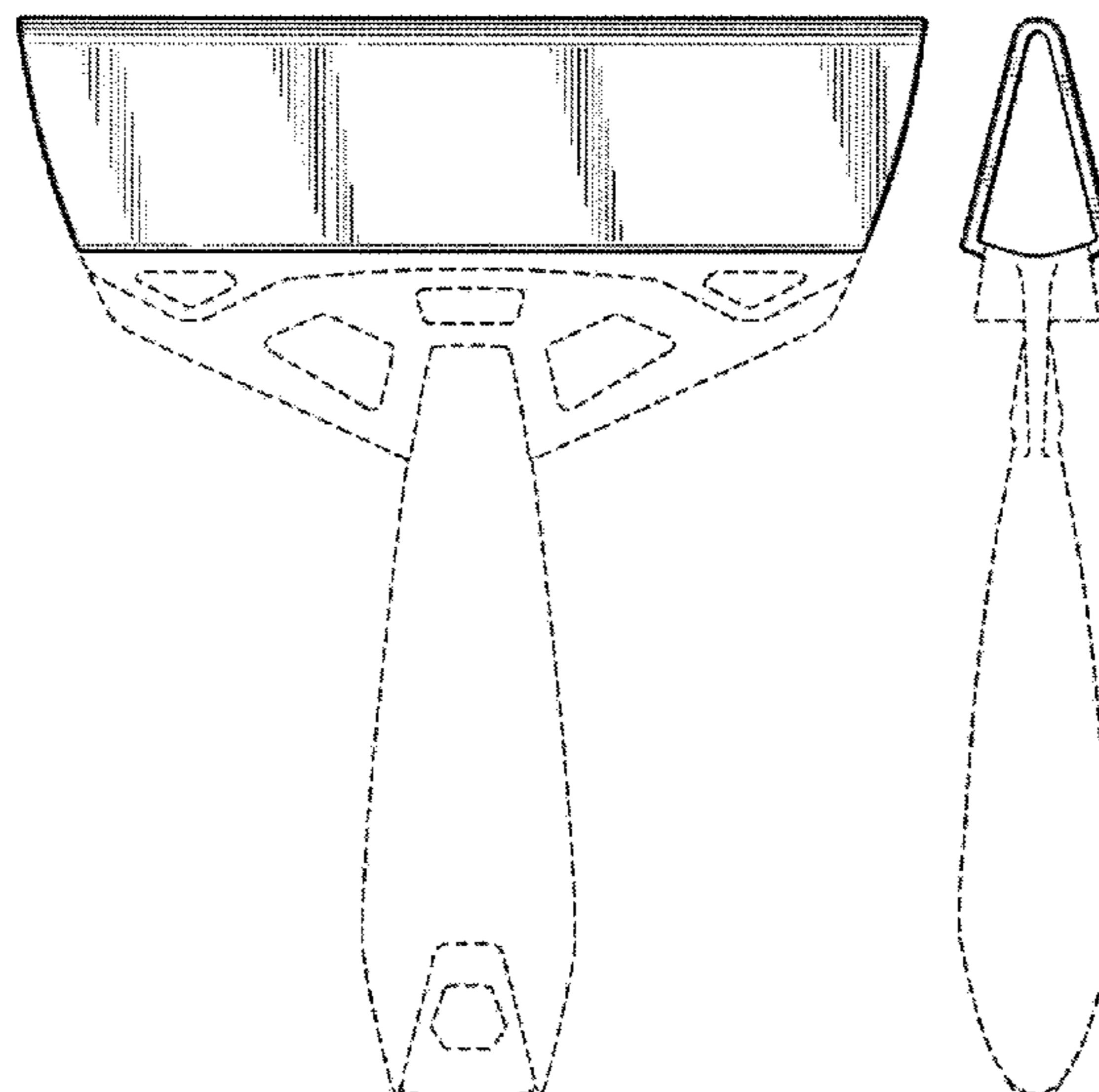
FIG. 3 is a top view of the sanding tool of FIG. 1; and,

FIG. 4 is a bottom view of the sanding tool of FIG. 1.

The short broken lines in FIGS. 2 and 4 connecting claimed subject matter are boundary lines that form no part of the claim. All other broken lines illustrate features of the sanding tool that form no part of the claim.

1 Claim, 1 Drawing Sheet

- (56) **References Cited**
U.S. PATENT DOCUMENTS
- 289,879 A 12/1883 Almond
- 609,078 A 8/1898 Buyer
- 913,327 A 2/1909 Uebelmesser
- 1,181,123 A 5/1916 Edenborough
- 1,617,592 A 2/1927 Hardy



(56)

References Cited

U.S. PATENT DOCUMENTS

2,448,178 A 8/1948 Glowacki
 2,472,899 A 6/1949 Hein
 2,527,021 A 10/1950 May
 2,575,117 A 11/1951 Naken
 2,624,161 A 1/1953 Snell
 2,645,064 A 7/1953 Pavlovic
 2,763,968 A 9/1956 Burns
 3,274,684 A 9/1966 Marks
 3,540,160 A 11/1970 De Rose et al.
 3,774,252 A 11/1973 Cantales
 3,775,923 A 12/1973 Martin
 3,998,012 A 12/1976 Ness
 4,004,376 A 1/1977 Schepp et al.
 4,249,349 A 2/1981 Rueb
 4,361,990 A 12/1982 Link
 4,620,369 A * 11/1986 Gercken B25G 1/10
 30/168
 4,694,618 A 9/1987 Eberhart et al.
 4,794,694 A * 1/1989 Daniel E04F 21/06
 15/236.01
 4,995,200 A 2/1991 Eberhart
 5,056,273 A 10/1991 Martel et al.
 5,109,637 A 5/1992 Calafut
 5,134,809 A 8/1992 Morton et al.
 5,168,672 A 12/1992 Grégoire et al.
 5,313,746 A 5/1994 Zarriello
 5,357,717 A 10/1994 Friel, Jr. et al.
 5,718,622 A 2/1998 Jones
 5,732,719 A 3/1998 Godbout
 5,956,799 A 9/1999 Panaccione et al.
 5,993,306 A 11/1999 McCoy et al.
 6,120,365 A 9/2000 Johnson
 6,272,715 B1 8/2001 Polzin et al.

6,540,582 B1 4/2003 Primos et al.
 6,634,937 B1 10/2003 Edwards et al.
 6,715,210 B2 4/2004 Chao
 6,960,125 B2 11/2005 Mick
 D515,262 S 2/2006 Hay
 7,131,902 B2 11/2006 Hope
 D533,417 S 12/2006 Jones
 7,144,300 B1 12/2006 Cybulski et al.
 7,182,681 B2 2/2007 Kirschhoffer et al.
 7,434,318 B2 * 10/2008 Perez E04F 21/06
 16/430
 D584,119 S 1/2009 Manzanares
 D590,675 S 4/2009 Manzanares
 7,622,003 B1 11/2009 Heysek
 D721,258 S 1/2015 Momper et al.
 2001/0000503 A1 4/2001 Beaudry et al.
 2002/0104182 A1 * 8/2002 Panfili B25G 1/00
 15/236.01
 2003/0104777 A1 6/2003 Deshler
 2004/0068819 A1 4/2004 Nistico
 2005/0097697 A1 5/2005 Nistico
 2005/0217034 A1 10/2005 Miller et al.
 2006/0246826 A1 11/2006 Kirschhoffer et al.
 2007/0232204 A1 10/2007 Takeichi et al.
 2009/0047882 A1 2/2009 Collins
 2009/0199411 A1 8/2009 van Deursen et al.
 2011/0086586 A1 4/2011 Andrews

OTHER PUBLICATIONS

Carlson, Marc, Final Office Action issued in U.S. Appl. No. 13/792,725; Notification Date: Jan. 16, 2015; 24 pages.
 Carlson, Marc, Non-final Office Action issued in U.S. Appl. No. 13/792,725; Notification Date: Aug. 15, 2014; 14 pages.

* cited by examiner

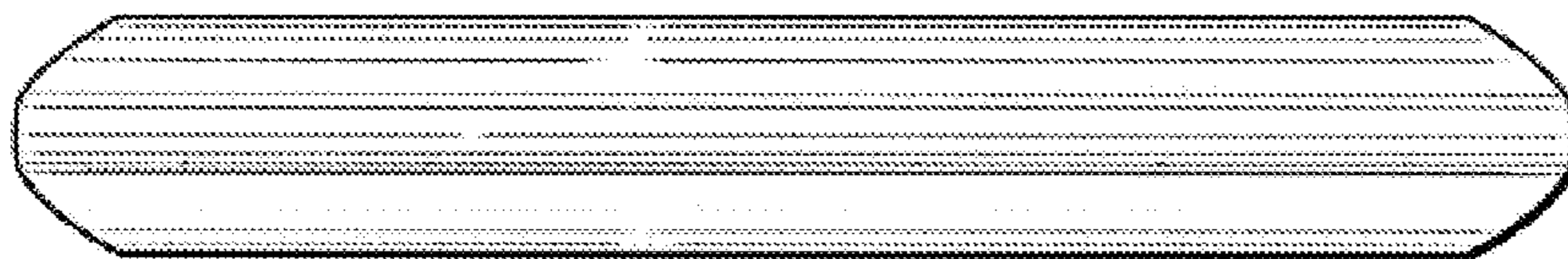
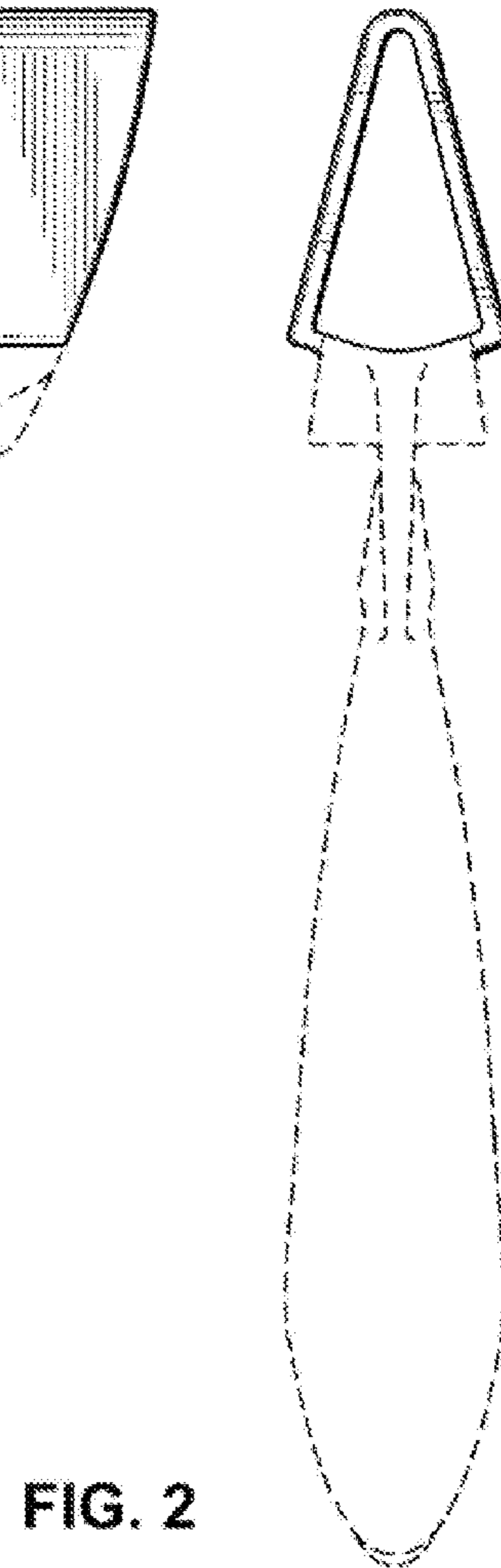
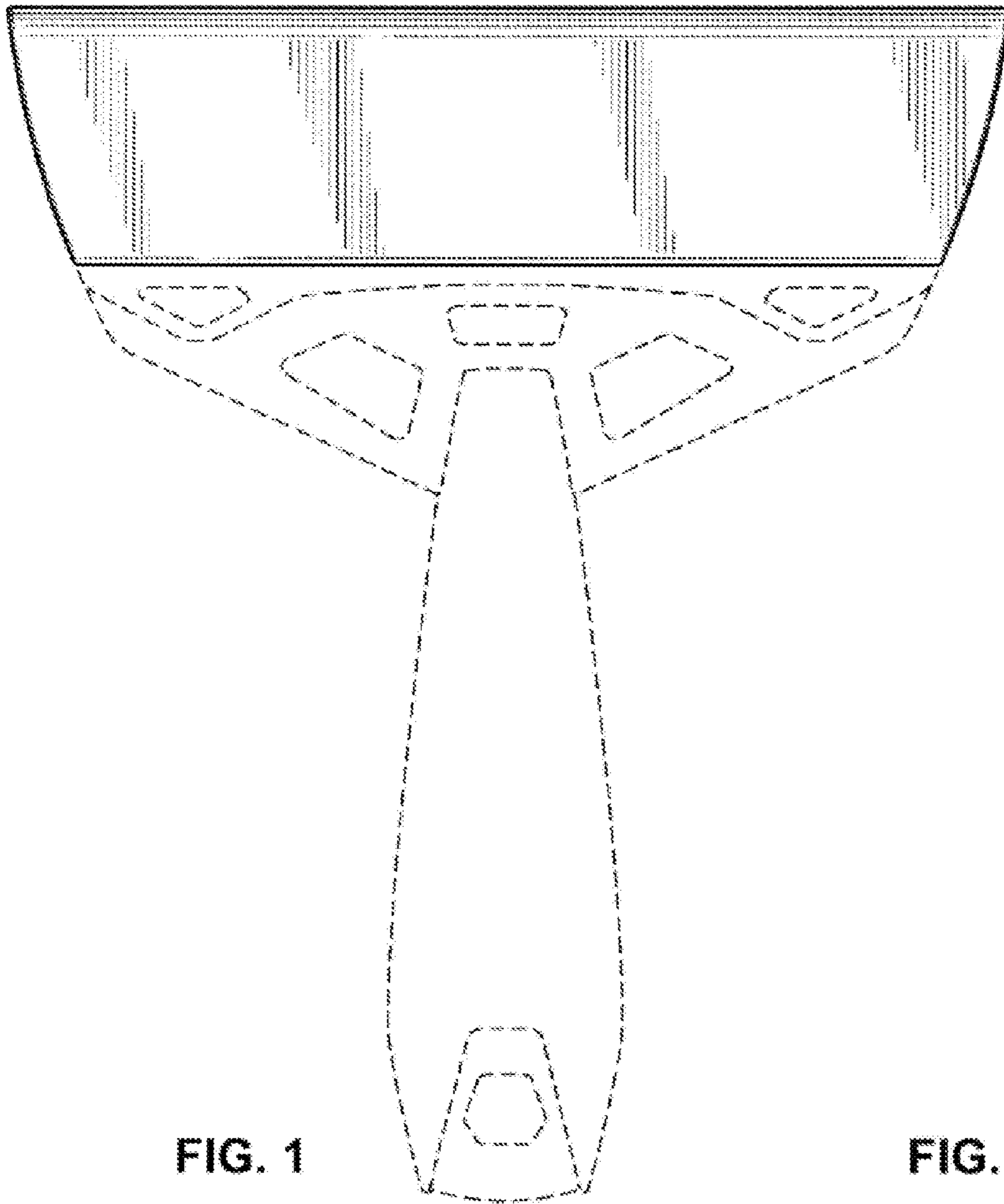


FIG. 3



FIG. 4