



US00D753456S

(12) **United States Design Patent**
Kao

(10) **Patent No.:** **US D753,456 S**

(45) **Date of Patent:** **** Apr. 12, 2016**

(54) **MULTIFUNCTION PRY BAR**

(71) Applicant: **Chih-Chen Kao**, Taoyuan (TW)

(72) Inventor: **Chih-Chen Kao**, Taoyuan (TW)

(**) Term: **14 Years**

(21) Appl. No.: **29/513,166**

(22) Filed: **Dec. 29, 2014**

(51) **LOC (10) Cl.** **08-02**

(52) **U.S. Cl.**
USPC **D8/81; D8/89**

(58) **Field of Classification Search**
USPC D8/15, 75, 76, 77, 81, 88, 89, 105
CPC B26F 1/00; B26F 1/006; B26F 1/02;
B26B 23/00

See application file for complete search history.

D595,555 S *	7/2009	Vanderbeek	D8/81
D598,726 S *	8/2009	Higgs	D8/81
8,117,702 B2 *	2/2012	Woolley	B25F 1/00 7/138
D688,348 S *	8/2013	Christenson	D22/117
D702,101 S *	4/2014	Vanderbeek	D8/89
D737,650 S *	9/2015	Allen	D8/105
2006/0075572 A1 *	4/2006	Young	B25B 13/48 7/138

* cited by examiner

Primary Examiner — Phillip S Hyder

(74) *Attorney, Agent, or Firm* — Bacon & Thomas, PLLC

(57) **CLAIM**

The ornamental design for a multifunction pry bar, as shown.

DESCRIPTION

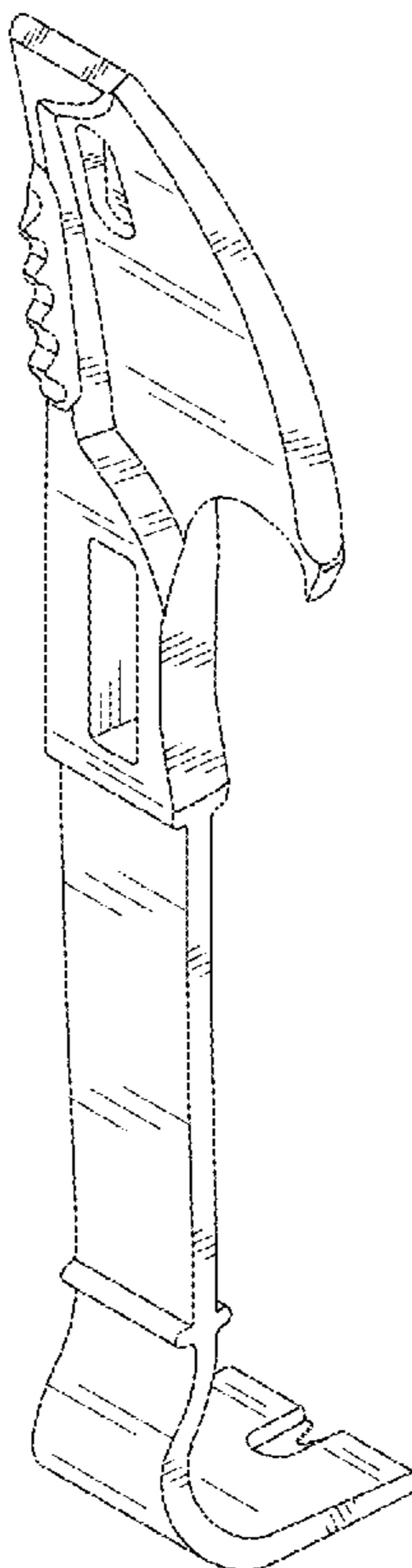
FIG. 1 is a perspective view of a multifunction pry bar showing my new design;
FIG. 2 is a front elevational view thereof;
FIG. 3 is a rear elevational view thereof;
FIG. 4 is a left side elevational view thereof;
FIG. 5 is a right side elevational view thereof;
FIG. 6 is a top plan view thereof; and,
FIG. 7 is a bottom plan view thereof.

1 Claim, 6 Drawing Sheets

(56) **References Cited**

U.S. PATENT DOCUMENTS

3,219,316 A *	11/1965	Fried	B25F 1/00 254/131
3,599,255 A *	8/1971	Carroll, Sr.	B25F 1/00 254/26 R
D299,414 S *	1/1989	Bajza	D8/105
D386,057 S *	11/1997	Hreha	D8/89
D507,728 S *	7/2005	Graff	D8/18
D572,106 S *	7/2008	Chen	D8/81



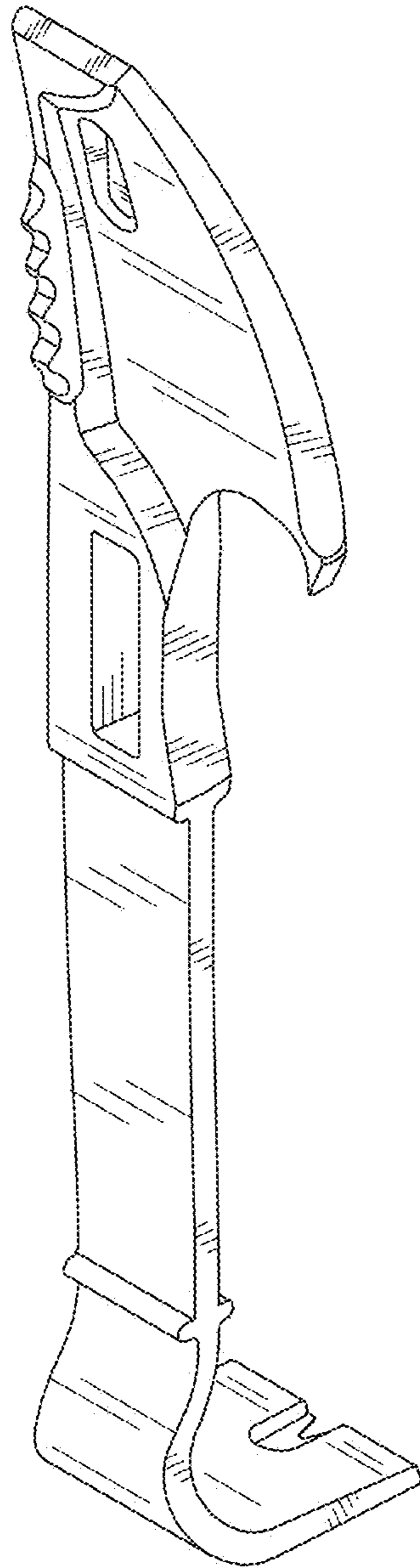


FIG. 1

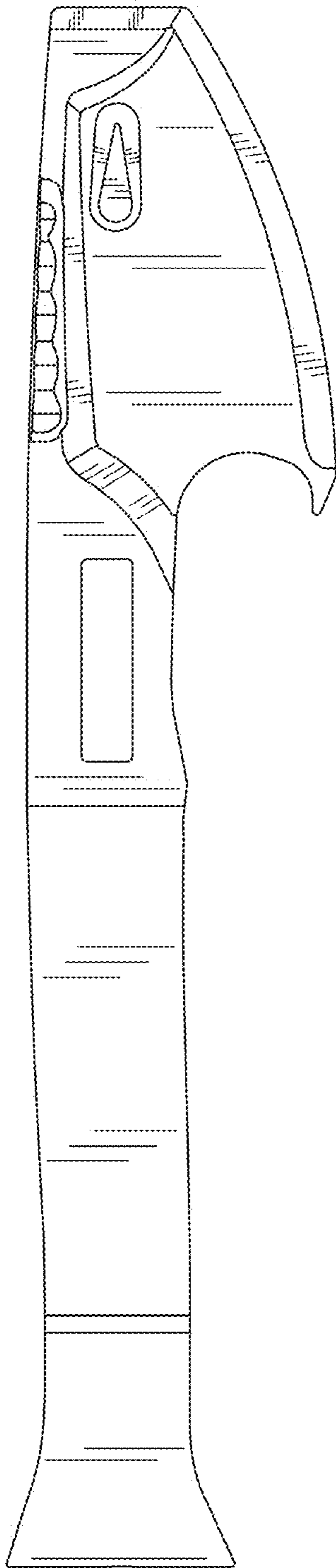


FIG. 2

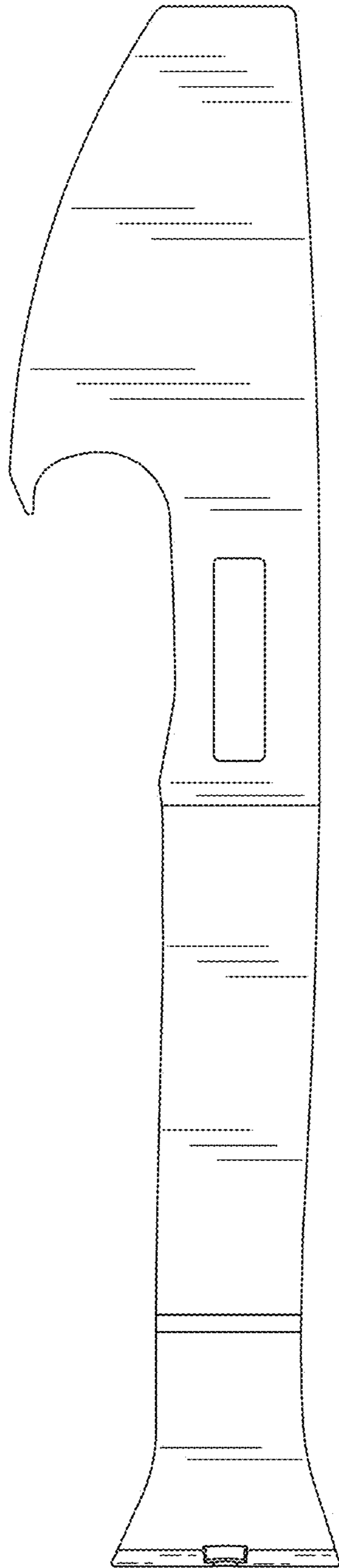


FIG. 3

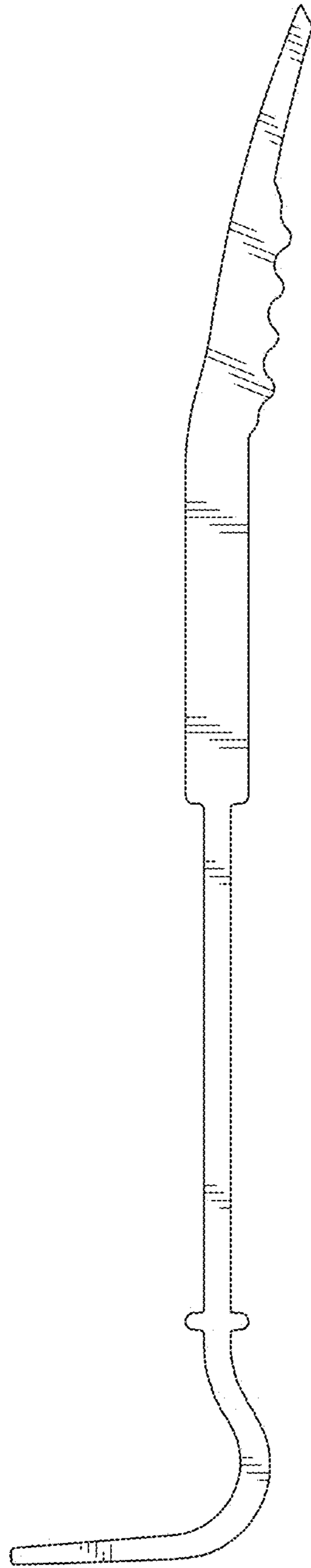


FIG. 4

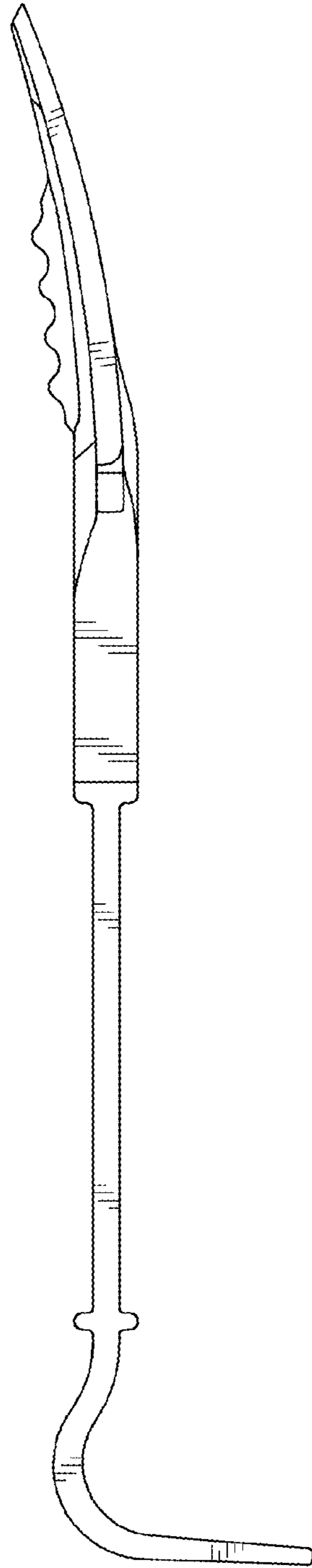


FIG. 5

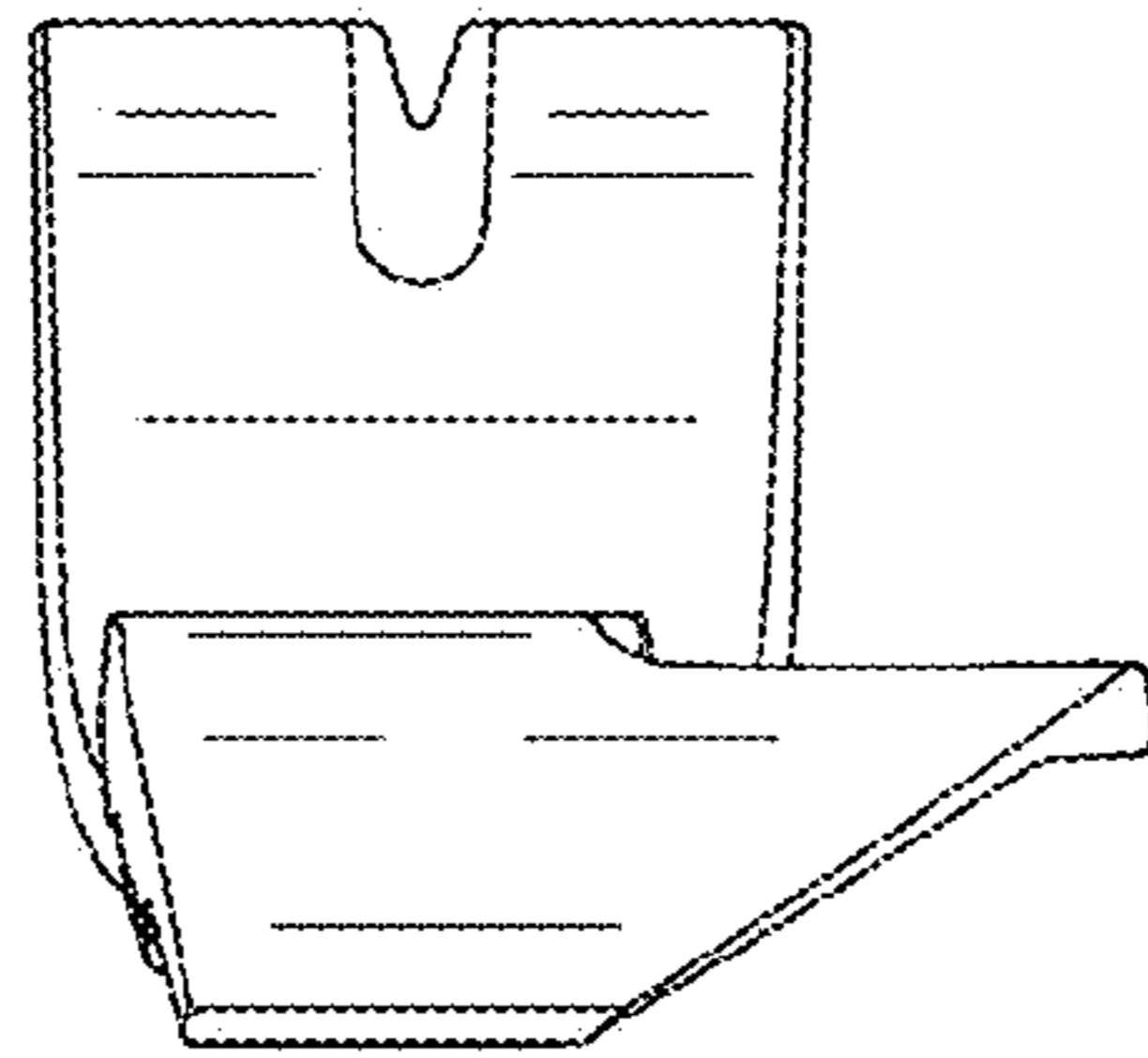


FIG. 6

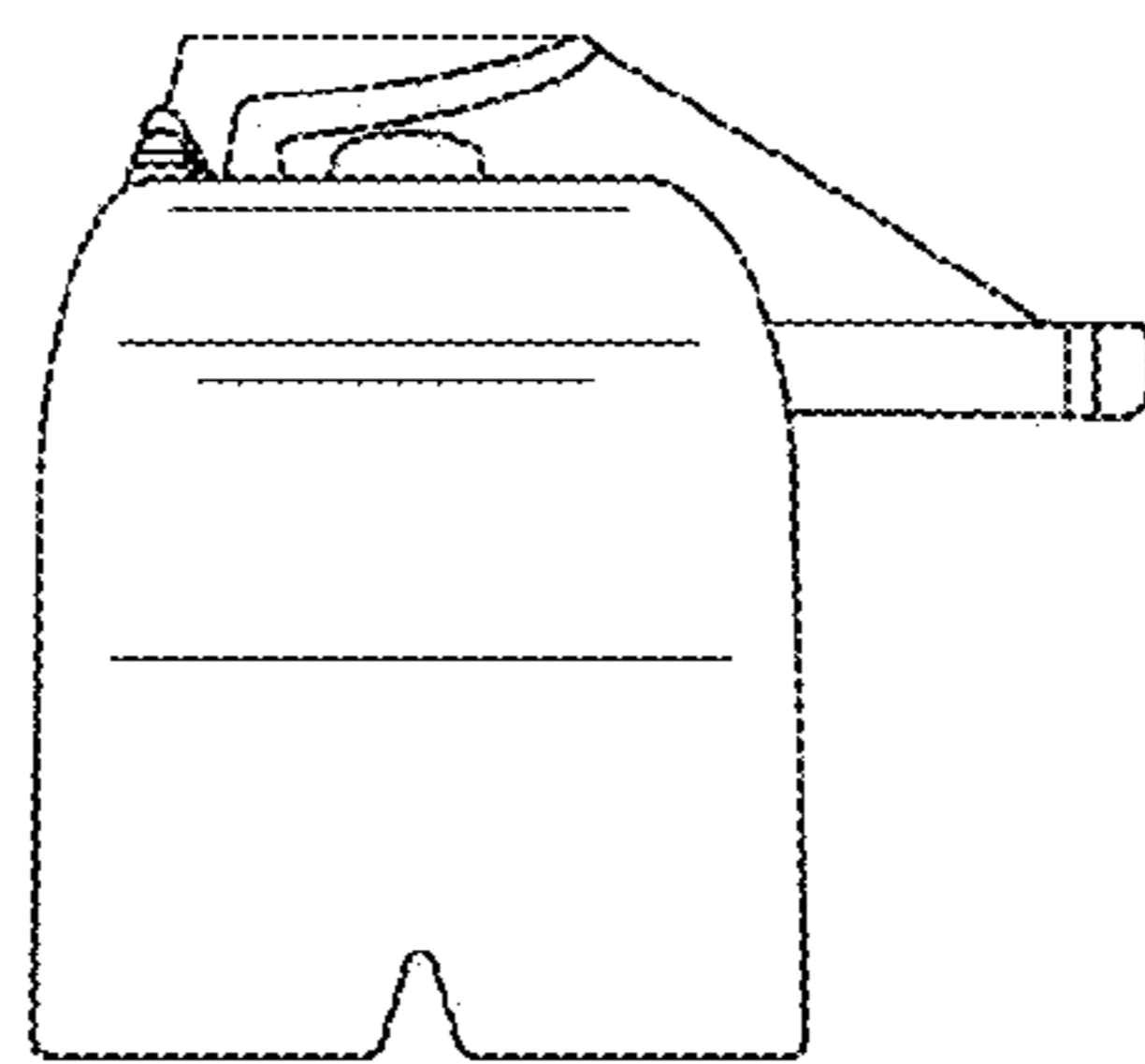


FIG. 7