



US00D753455S

(12) **United States Design Patent**
Hyma et al.

(10) **Patent No.:** **US D753,455 S**
(45) **Date of Patent:** **** Apr. 12, 2016**

(54) **CUTTING TOOL**

FOREIGN PATENT DOCUMENTS

(71) Applicant: **Milwaukee Electric Tool Corporation**,
Brookfield, WI (US)

CN 101428406 5/2009
CN 201342626 11/2009

(Continued)

(72) Inventors: **Steven W. Hyma**, Milwaukee, WI (US);
Michael S. Steele, Waukesha, WI (US)

Primary Examiner — Deanna L Pratt

(73) Assignee: **MILWAUKEE ELECTRIC TOOL CORPORATION**, Brookfield, WI (US)

(74) *Attorney, Agent, or Firm* — Michael Best & Friedrich LLP

(**) Term: **14 Years**

(57) **CLAIM**

We claim the ornamental design for a cutting tool, as shown and described.

(21) Appl. No.: **29/497,926**

DESCRIPTION

(22) Filed: **Jul. 30, 2014**

(51) **LOC (10) Cl.** **08-07**

(52) **U.S. Cl.**
USPC **D8/57**

(58) **Field of Classification Search**
USPC D8/51–58; D7/693, 687, 674
CPC A01G 3/02; A01G 3/065; A61B 17/3201;
B26B 13/28; B26B 13/10; B26B 13/06;
B26B 13/22; B23D 29/023; B23D 29/026
See application file for complete search history.

FIG. 1 is perspective view of a cutting tool according to an embodiment of the invention.
FIG. 2 is a left side view of the cutting tool of FIG. 1.
FIG. 3 is a right side view of the cutting tool of FIG. 1.
FIG. 4 is a front view of the cutting tool of FIG. 1.
FIG. 5 is a back view of the cutting tool of FIG. 1.
FIG. 6 is a top view of the cutting tool of FIG. 1.
FIG. 7 is a bottom view of the cutting tool of FIG. 1.
FIG. 8 is perspective view of a cutting tool according to another embodiment of the invention.
FIG. 9 is a left side view of the cutting tool of FIG. 8.
FIG. 10 is a right side view of the cutting tool of FIG. 8.
FIG. 11 is a front view of the cutting tool of FIG. 8.
FIG. 12 is a back view of the cutting tool of FIG. 8.
FIG. 13 is a top view of the cutting tool of FIG. 8; and,
FIG. 14 is a bottom view of the cutting tool of FIG. 8.
The elements shown in broken lines are included for the purpose of illustrating environment and form no part of the claimed design.

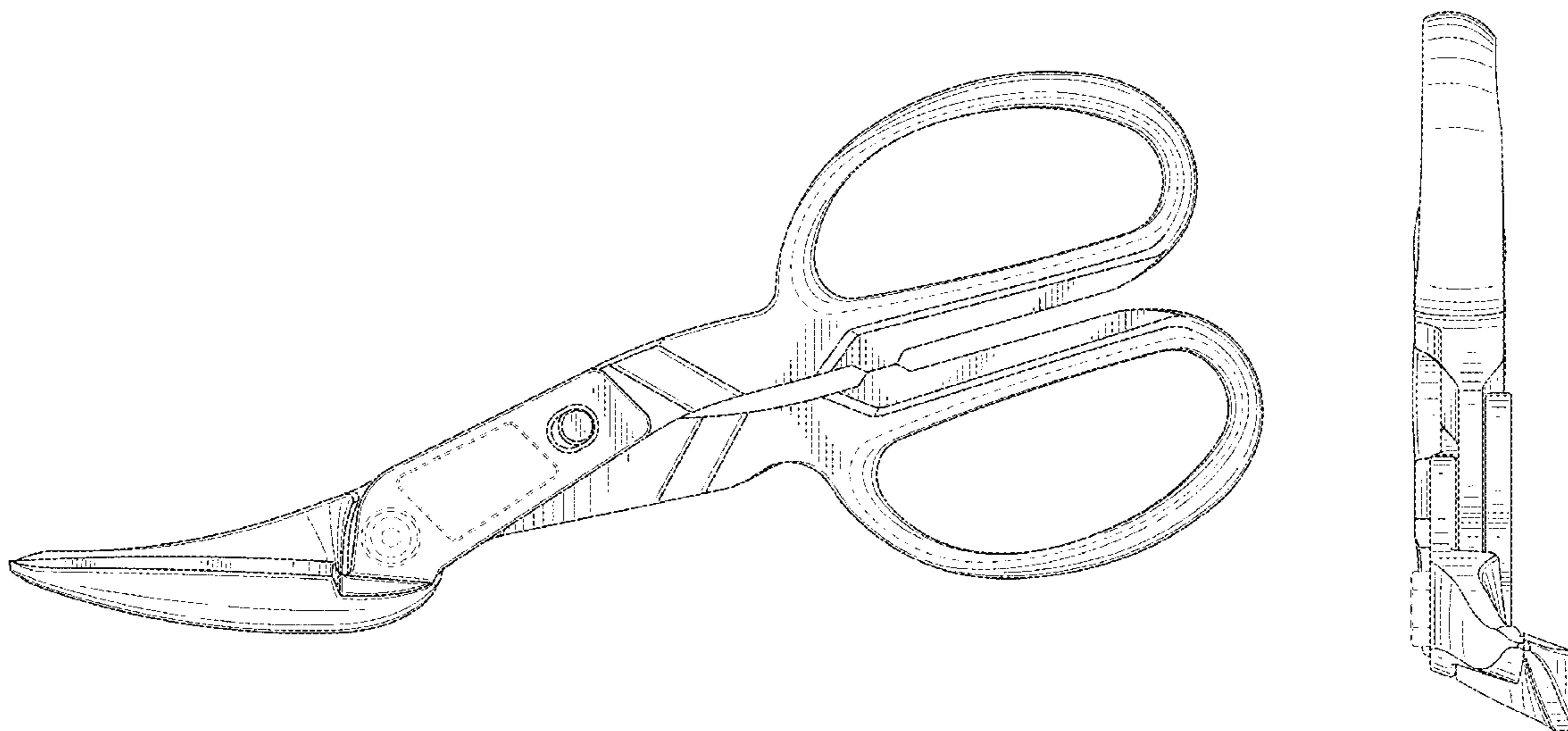
(56) **References Cited**

U.S. PATENT DOCUMENTS

107,542 A	9/1870	Richard
615,956 A	12/1898	Broadbooks
736,042 A	8/1903	Waters
993,646 A	5/1911	Burkett
1,448,238 A	3/1923	Schimtz
1,497,969 A	6/1924	Arbogast

(Continued)

1 Claim, 10 Drawing Sheets



(56)

References Cited

U.S. PATENT DOCUMENTS

1,533,039 A 4/1925 Shirk
 1,850,664 A 3/1932 Daniels
 D101,791 S * 11/1936 Rauh 30/259
 2,163,088 A * 6/1939 Grant B23D 29/023
 30/226
 2,264,840 A * 12/1941 Isaac B23D 29/026
 30/254
 D166,230 S * 3/1952 Shoffner 30/248
 3,273,238 A 9/1966 Kuhbier
 4,519,136 A * 5/1985 Walker A47G 21/06
 30/142
 5,020,222 A 6/1991 Gosselin et al.
 5,074,046 A * 12/1991 Kolesky B23D 29/026
 30/250
 5,749,147 A * 5/1998 Hasegawa B26B 13/06
 30/134
 5,839,195 A 11/1998 Lin
 6,532,847 B2 3/2003 Liou
 6,647,842 B1 11/2003 Krasik-Geiger et al.
 D483,635 S * 12/2003 Silver D8/57
 6,752,054 B2 * 6/2004 Knight B26B 13/26
 30/251
 7,112,129 B2 * 9/2006 Zimbone A22C 29/024
 452/6
 D544,765 S * 6/2007 Peterson D7/693

D553,928 S * 10/2007 Zhou D8/57
 D574,206 S * 8/2008 Beckwith D8/57
 D594,723 S * 6/2009 Kim D8/57
 D623,916 S 9/2010 Sweeting
 8,046,924 B2 11/2011 Block et al.
 D678,020 S * 3/2013 Lipscomb D8/57
 D678,741 S * 3/2013 Ozeki D8/57
 2002/0069537 A1 6/2002 Wenzler
 2008/0045990 A1 * 2/2008 Zelinko A61B 17/3201
 606/174
 2008/0184566 A1 * 8/2008 Deter B23D 29/026
 30/252
 2008/0289187 A1 * 11/2008 Fisher B26B 13/22
 30/123
 2009/0193666 A1 * 8/2009 Lau B26B 13/06
 30/194
 2010/0223794 A1 9/2010 Block et al.
 2010/0236080 A1 9/2010 Huang
 2012/0096994 A1 4/2012 Poole et al.
 2012/0144963 A1 6/2012 He
 2012/0151781 A1 6/2012 Huang
 2013/0046323 A1 2/2013 Whitaker

FOREIGN PATENT DOCUMENTS

CN 101637889 2/2010
 CN 201471312 5/2010

* cited by examiner

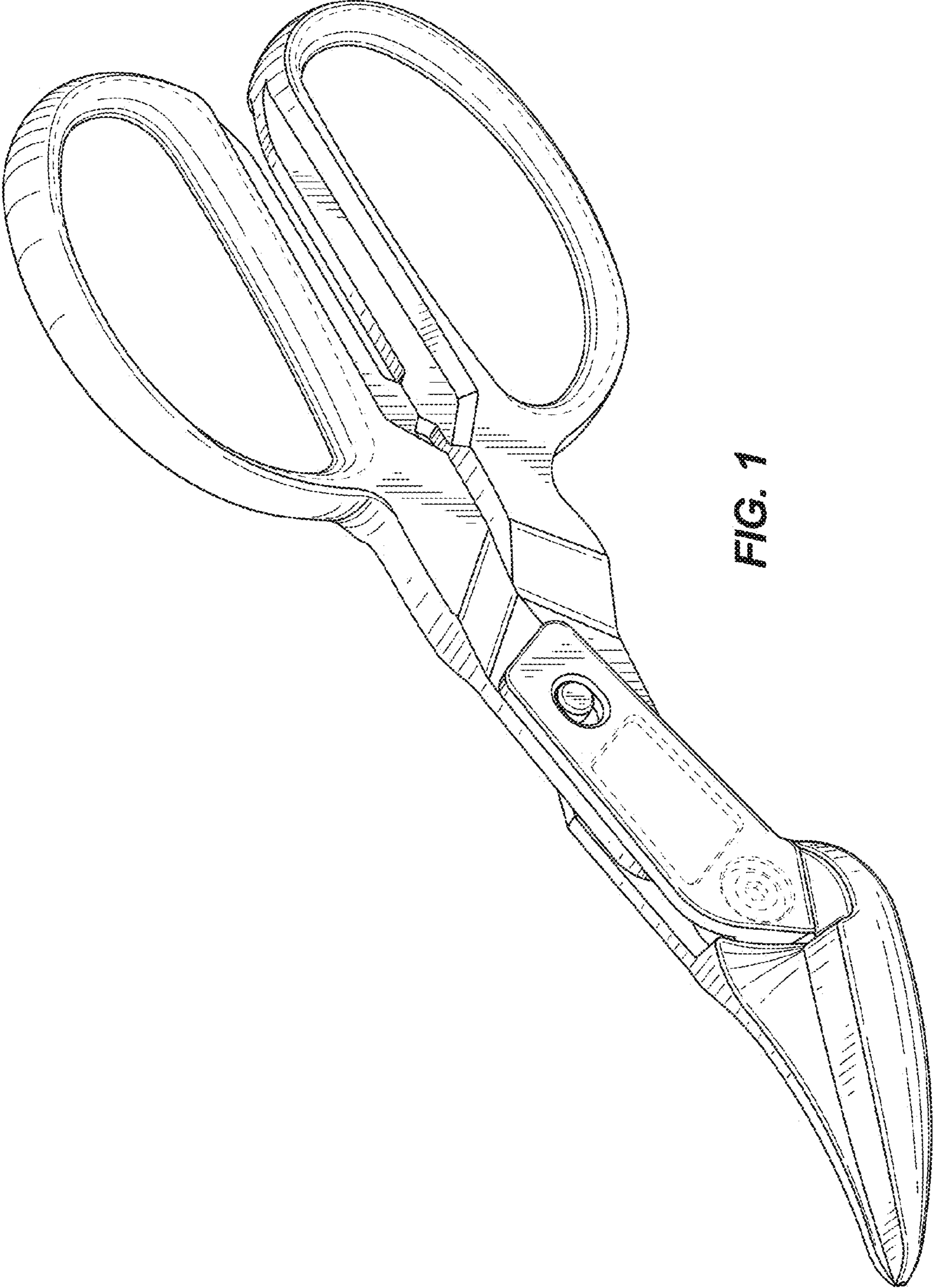


FIG. 1

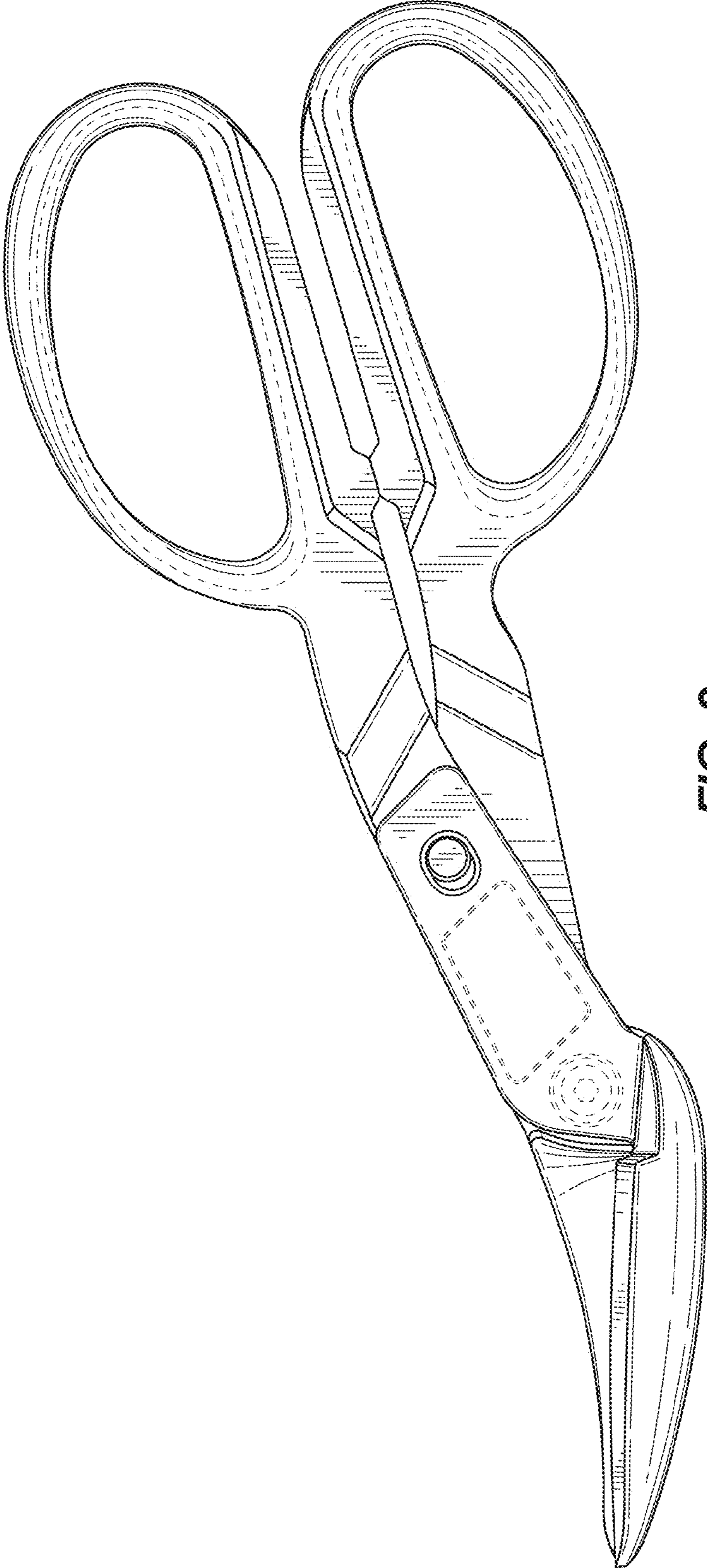


FIG. 2

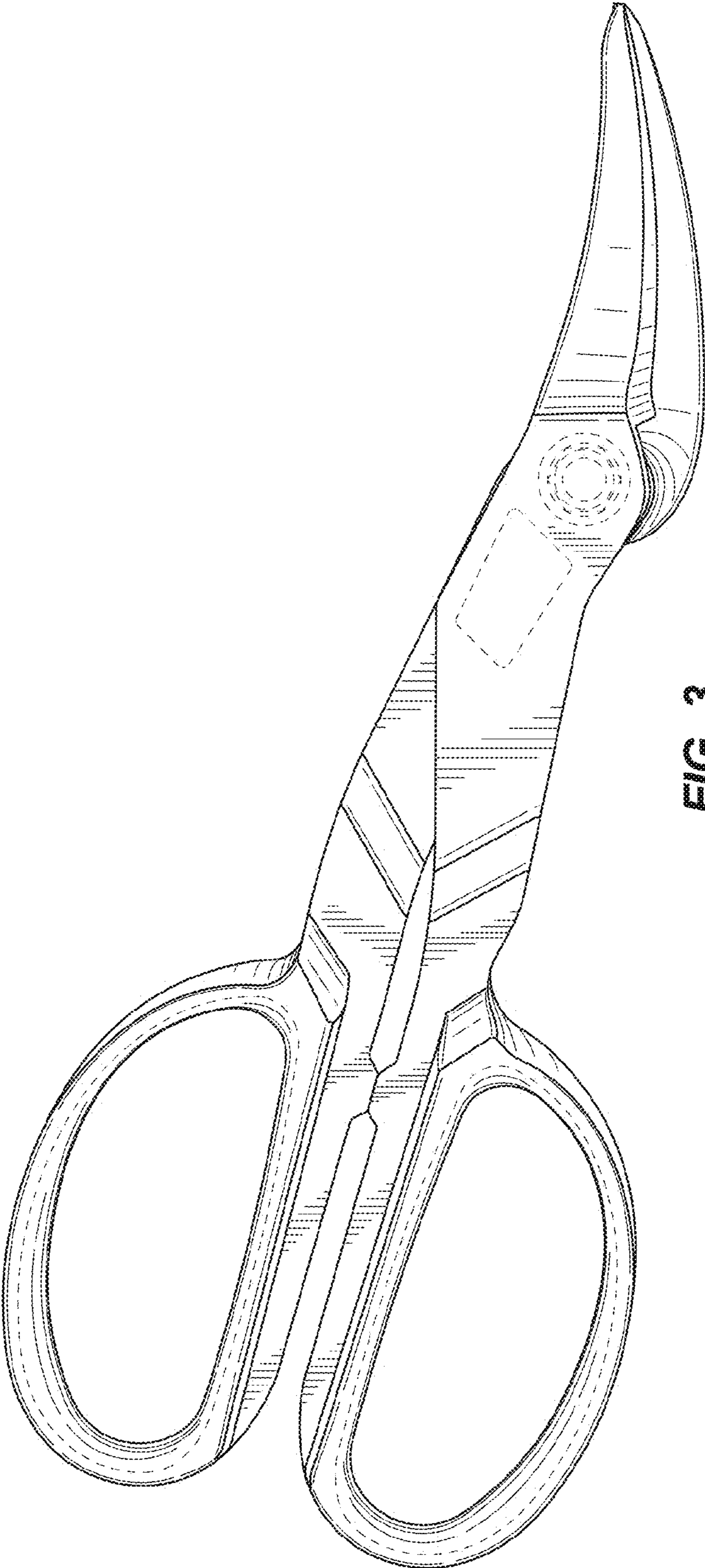


FIG. 3

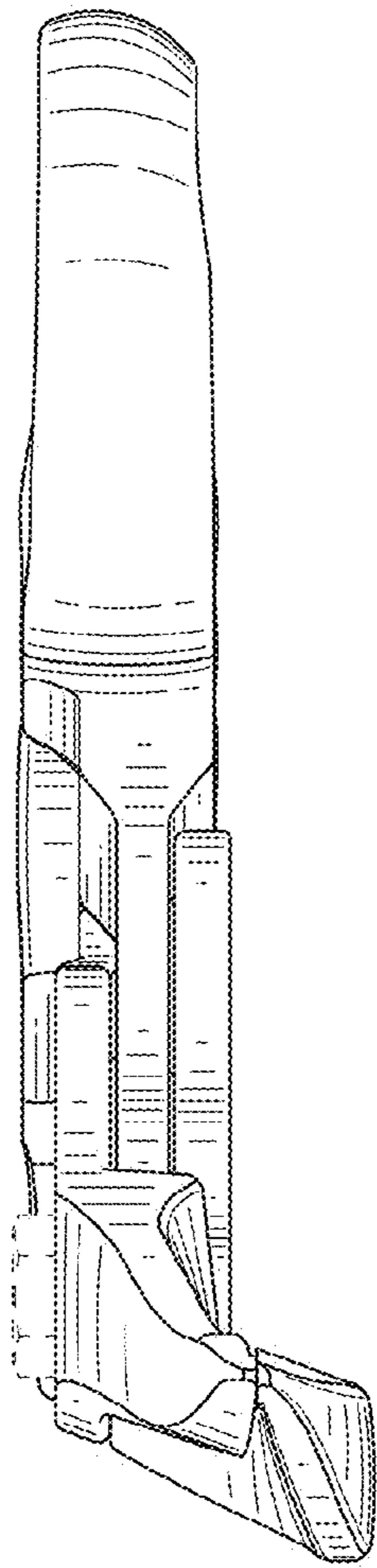


FIG. 4

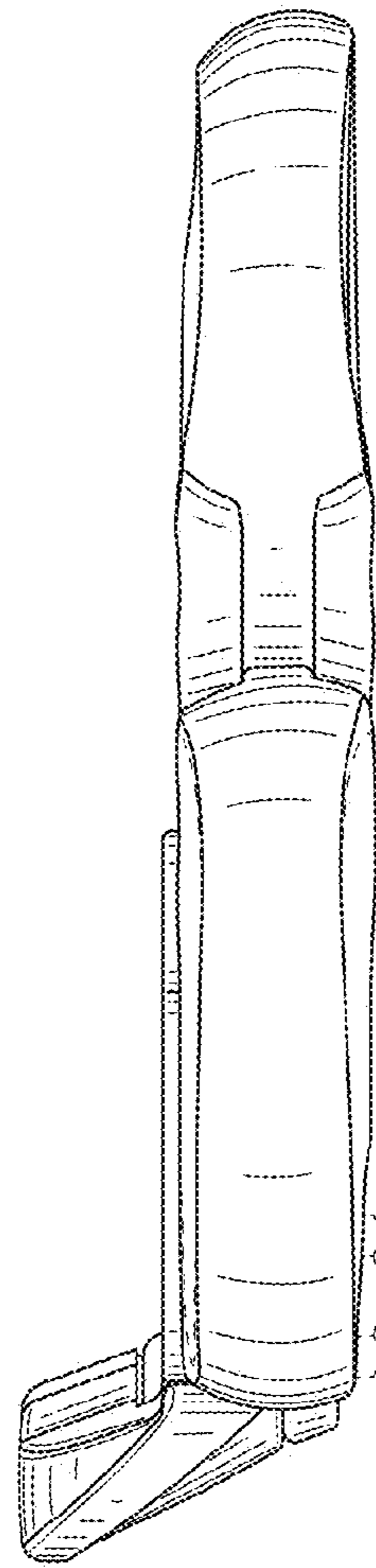


FIG. 5

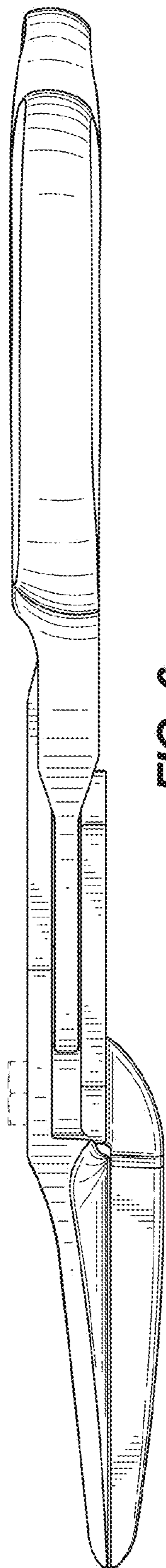


FIG. 6

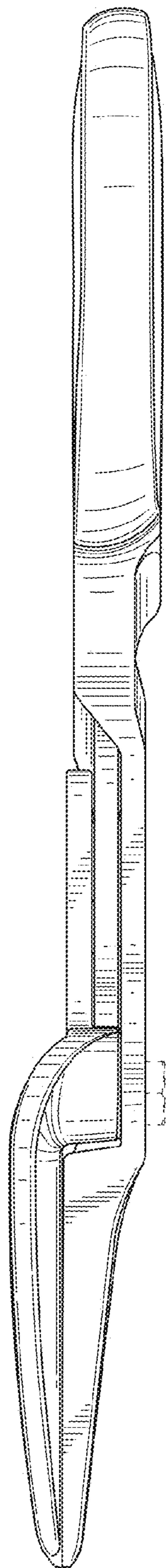


FIG. 7

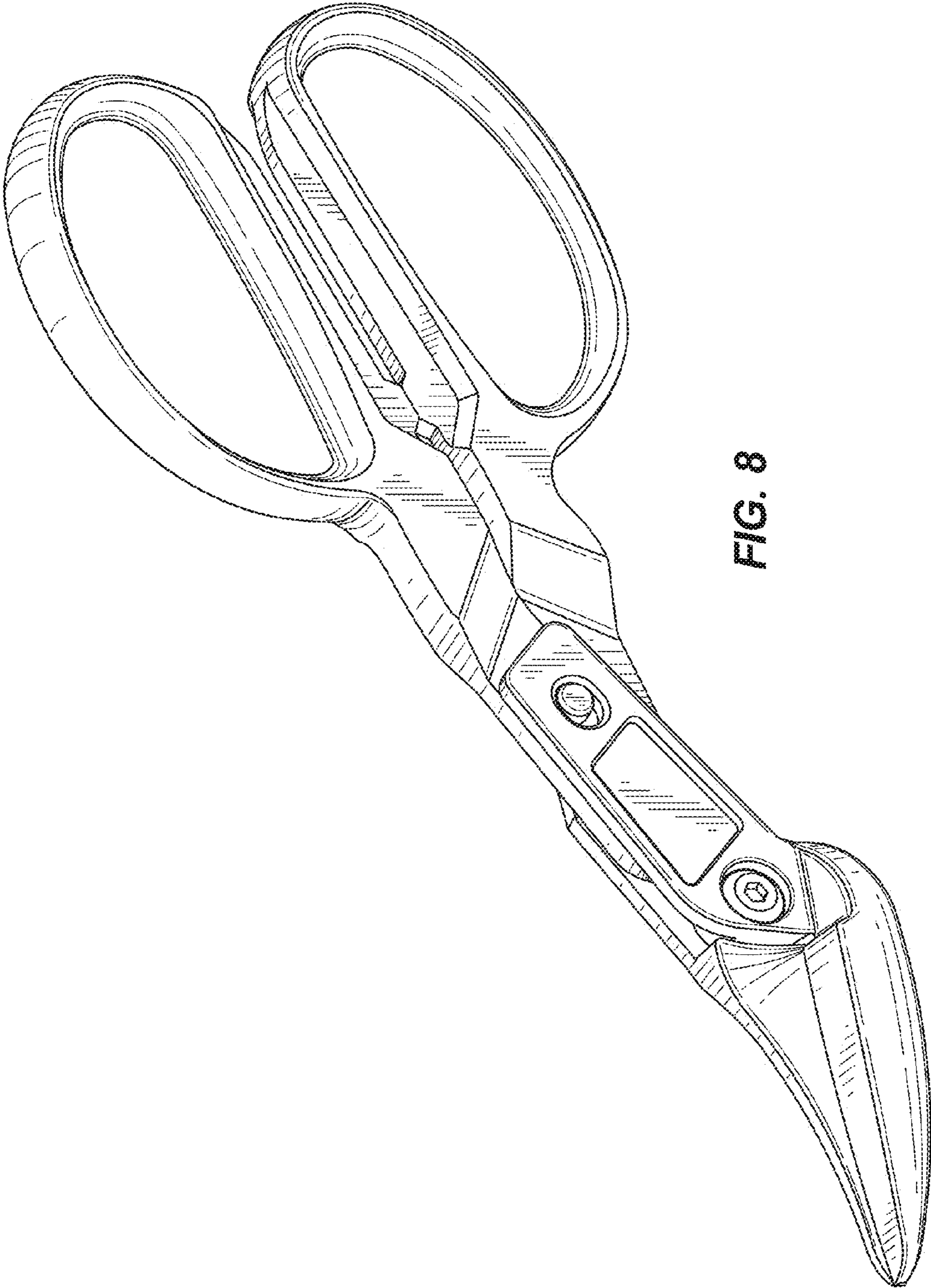


FIG. 8

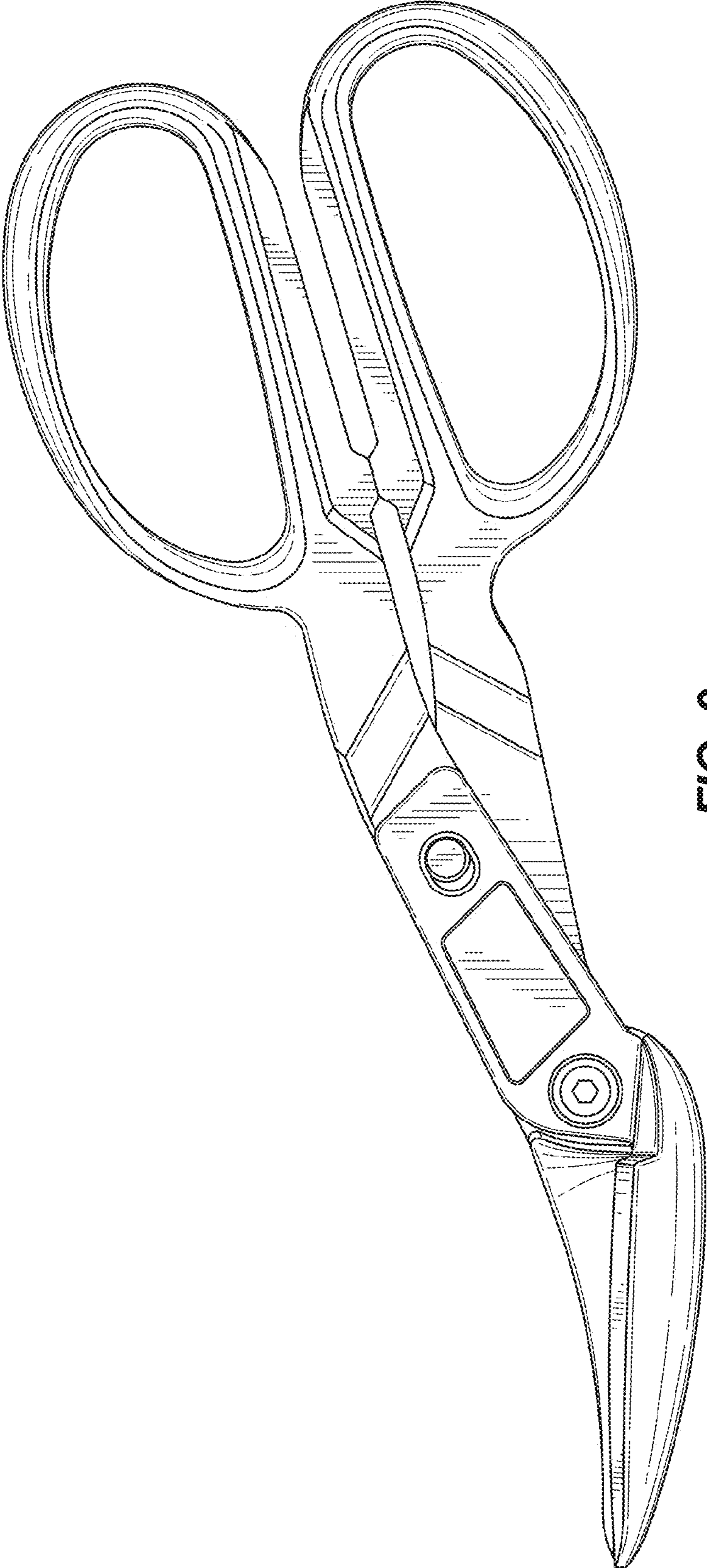


FIG. 9

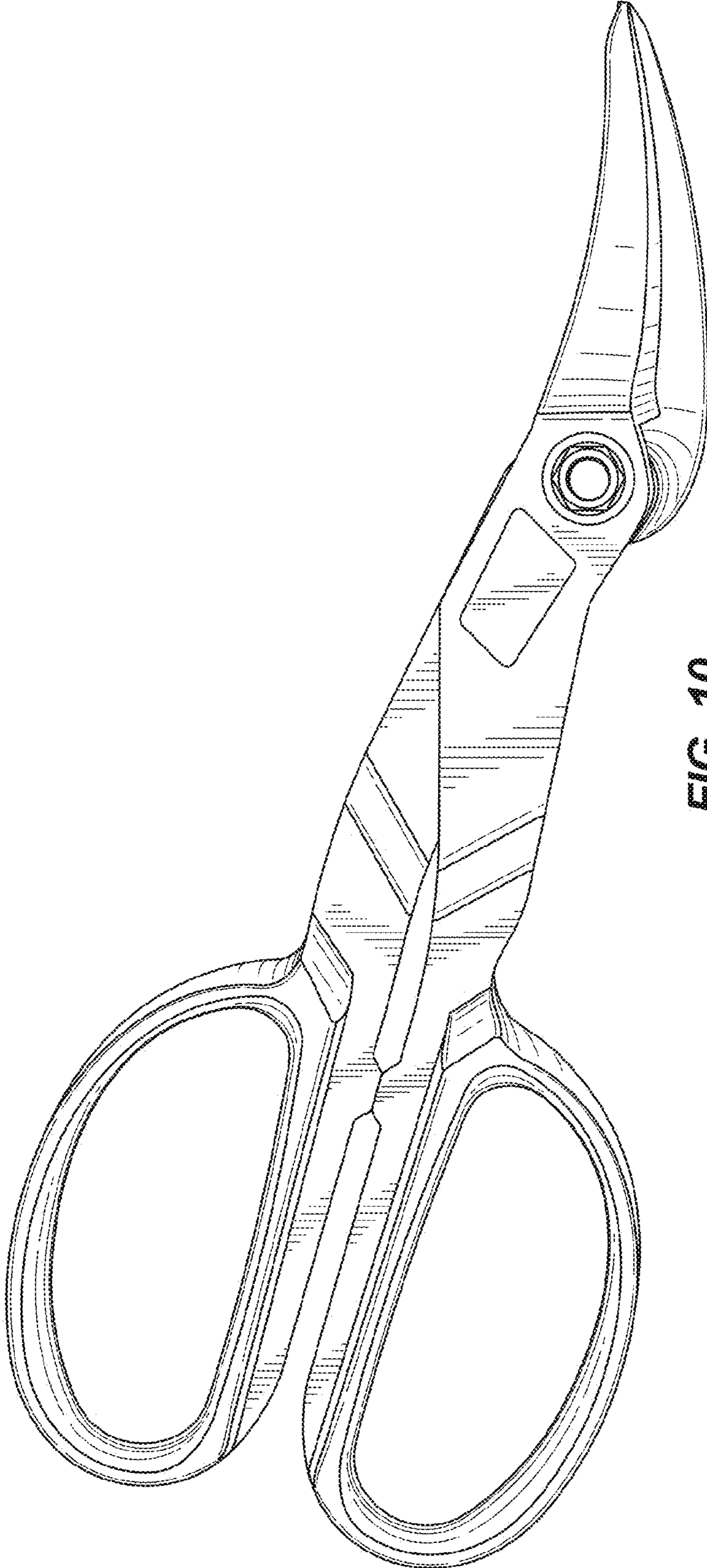


FIG. 10

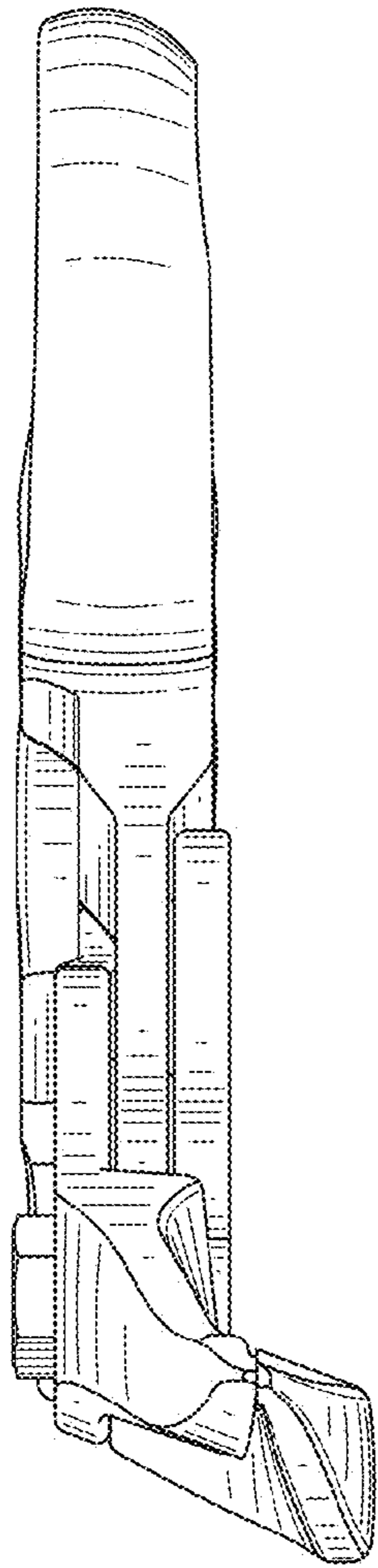


FIG. 11

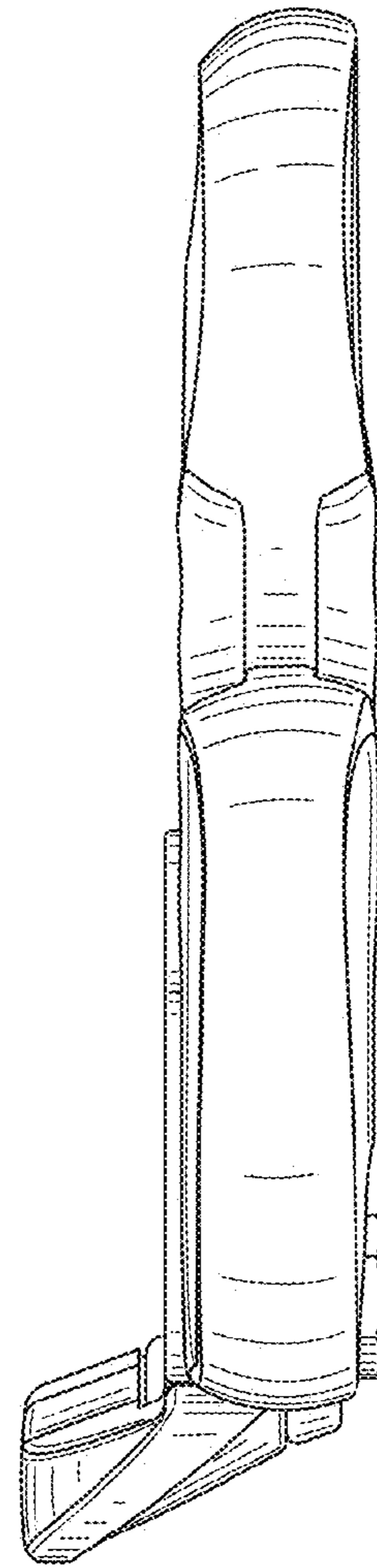


FIG. 12

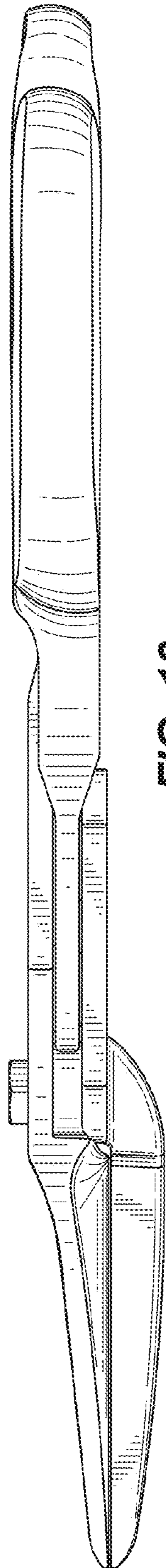


FIG. 13

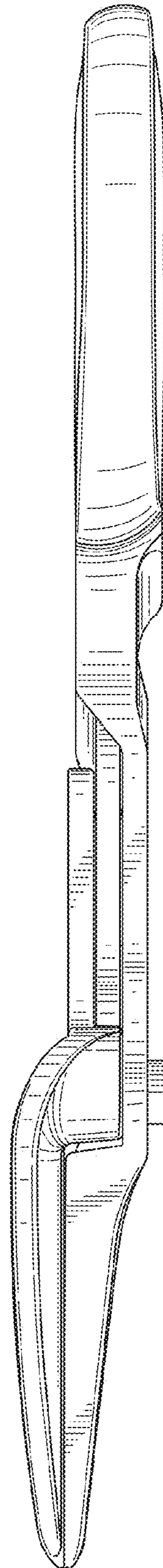


FIG. 14