



US00D753454S

(12) **United States Design Patent**
Timpson

(10) **Patent No.:** **US D753,454 S**

(45) **Date of Patent:** **** Apr. 12, 2016**

(54) **PORTABLE HANDHELD DRILL PRESS**

(71) Applicant: **Carl Timpson**, Hildale, UT (US)

(72) Inventor: **Carl Timpson**, Hildale, UT (US)

(**) Term: **14 Years**

(21) Appl. No.: **29/515,880**

(22) Filed: **Jan. 28, 2015**

(51) **LOC (10) Cl.** **08-05**

(52) **U.S. Cl.**
USPC **D8/51; D8/70; D15/132**

(58) **Field of Classification Search**
USPC D8/14, 51, 70, 106; D15/132, 138,
D15/140-142
CPC Y10S 408/712; Y10S 408/5626; Y10S
212/901; B25H 1/0057; B25H 1/0078; B25H
1/0071; B25H 1/0064
See application file for complete search history.

(56) **References Cited**

U.S. PATENT DOCUMENTS

D273,299 S * 4/1984 Archeskie D15/132
D318,408 S * 7/1991 Rankin D8/70
6,692,201 B2 * 2/2004 Soderman B25H 1/0064
408/111

2004/0202516 A1* 10/2004 Lanser B23Q 9/02
408/1 R
2005/0276670 A1* 12/2005 Freund B25H 1/0035
408/129
2015/0273594 A1* 10/2015 Timpson B25H 1/0021
408/66

* cited by examiner

Primary Examiner — Deanna L Pratt

(74) *Attorney, Agent, or Firm* — Gurr & Brande, PLLC;
Robert A. Gurr

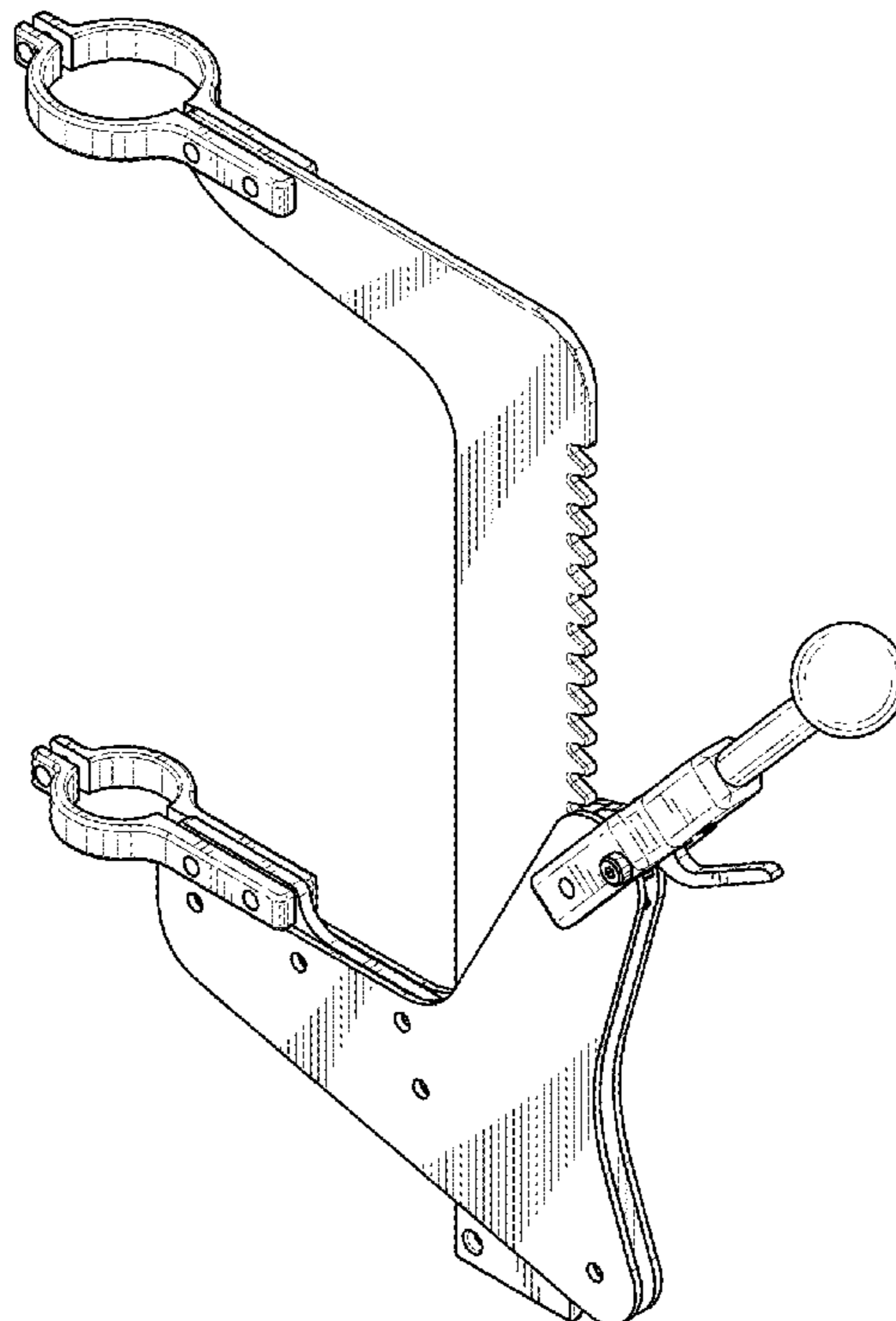
(57) **CLAIM**

The ornamental design for a portable handheld drill press, as shown and described.

DESCRIPTION

FIG. 1 is a perspective view of the portable handheld drill press;
FIG. 2 is a right side elevation view of the portable handheld drill press;
FIG. 3 is a left side elevation view of the portable handheld drill press;
FIG. 4 is a front elevation view of the portable handheld drill press;
FIG. 5 is a back elevation view of the portable handheld drill press;
FIG. 6 is a top view of the portable handheld drill press;
FIG. 7 is a bottom view of the portable handheld drill press;
and,
FIG. 8 is a separated view of the portable handheld drill press.

1 Claim, 6 Drawing Sheets



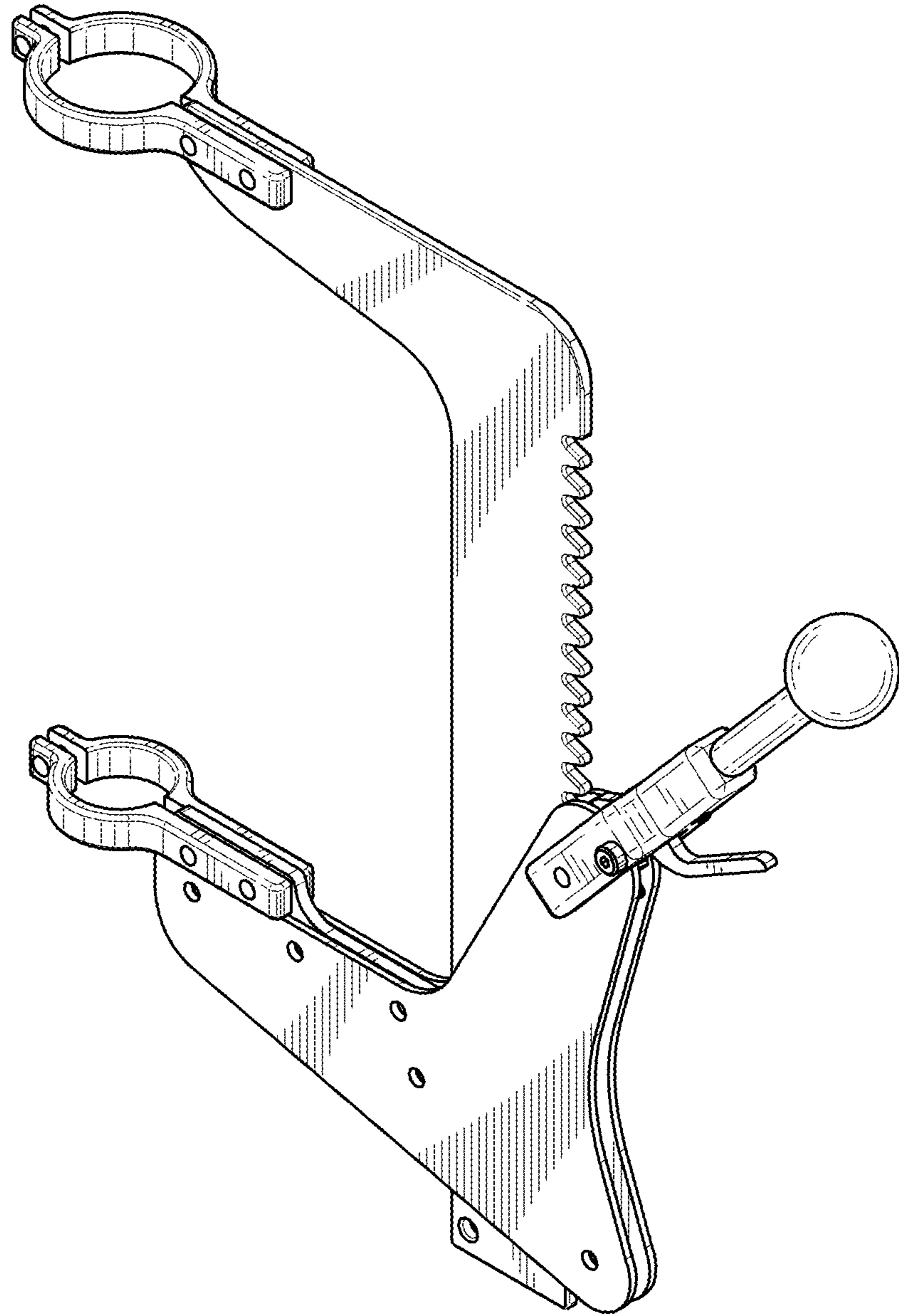


FIG. 1

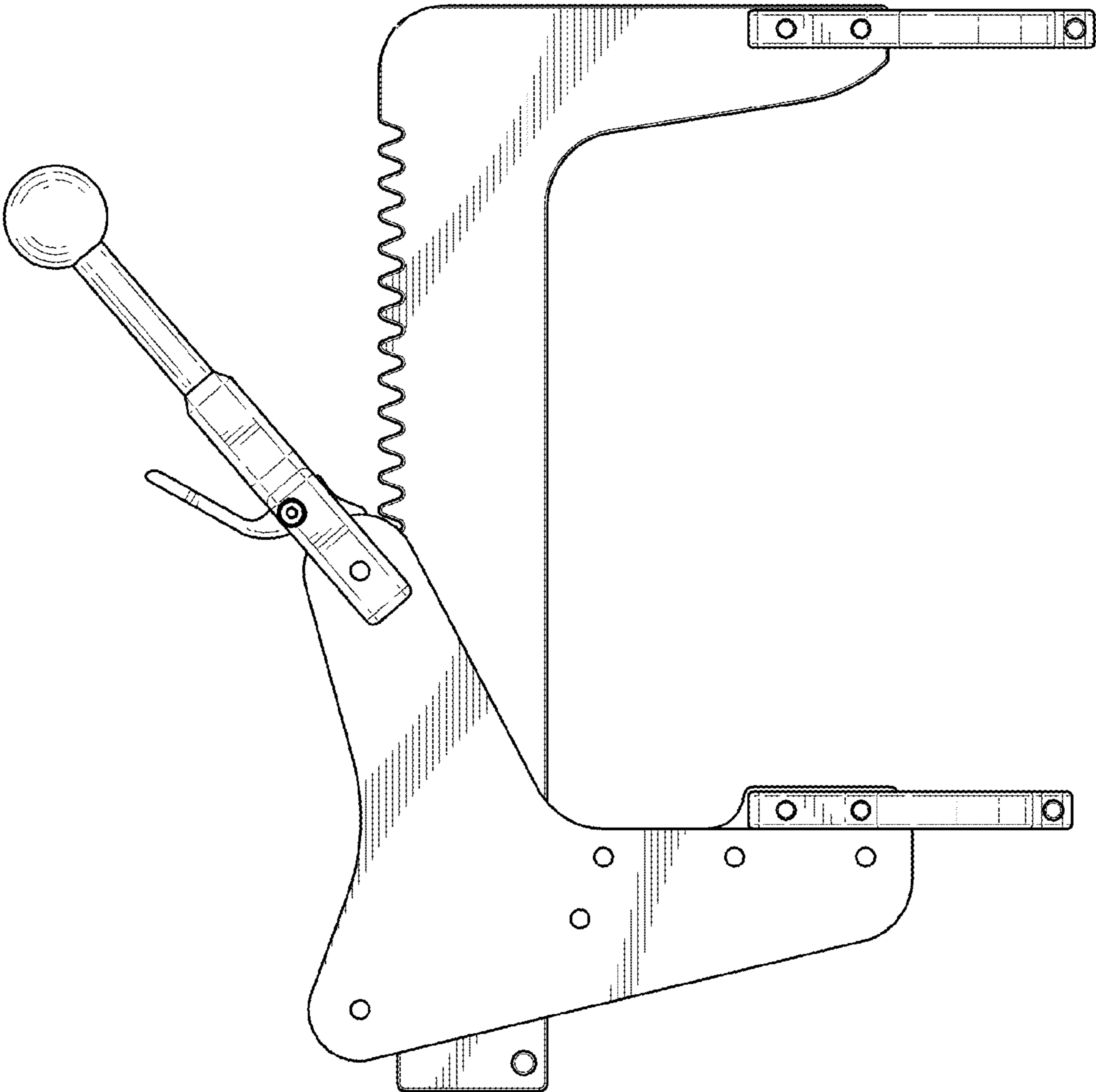


FIG. 2

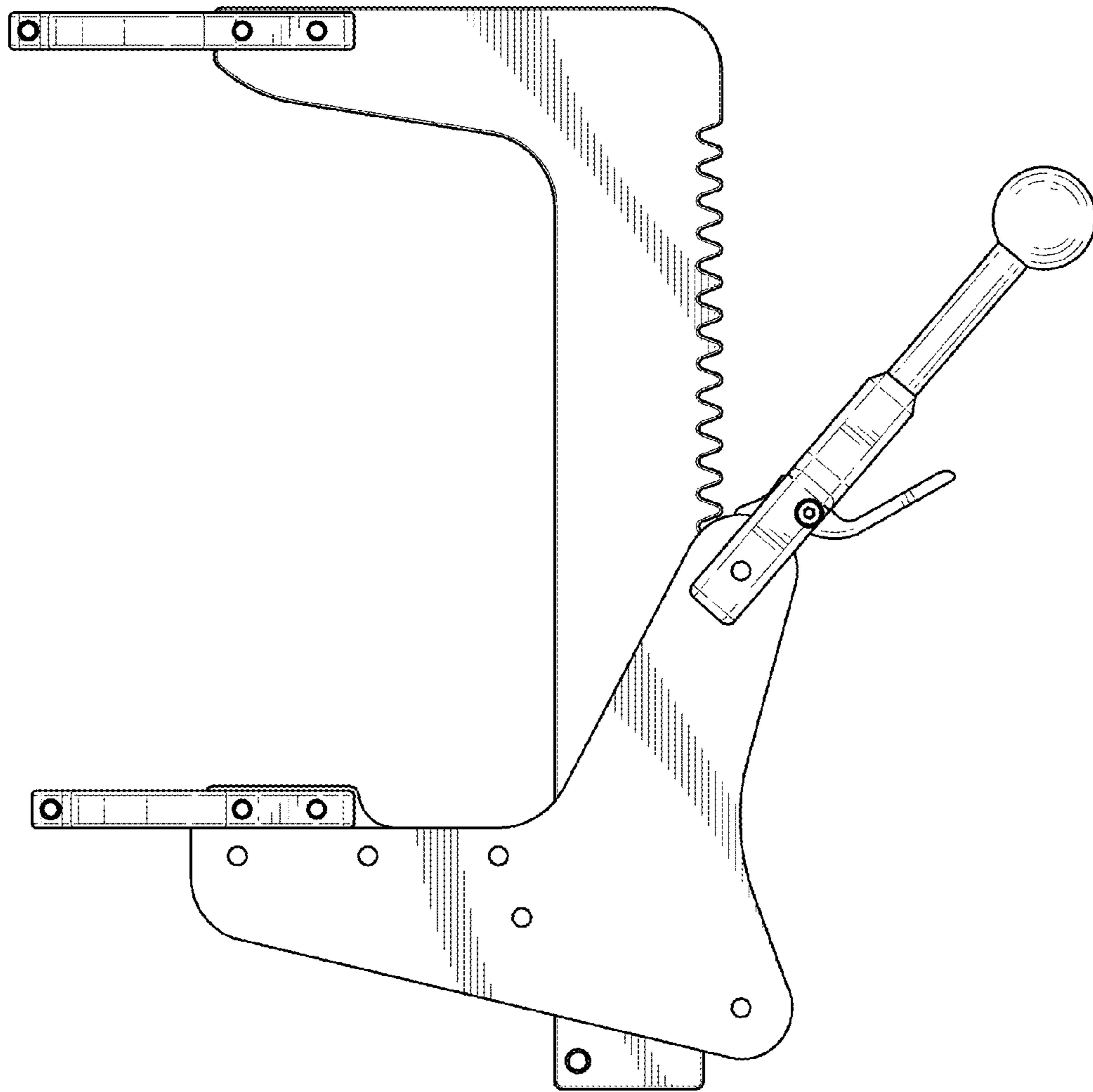


FIG. 3

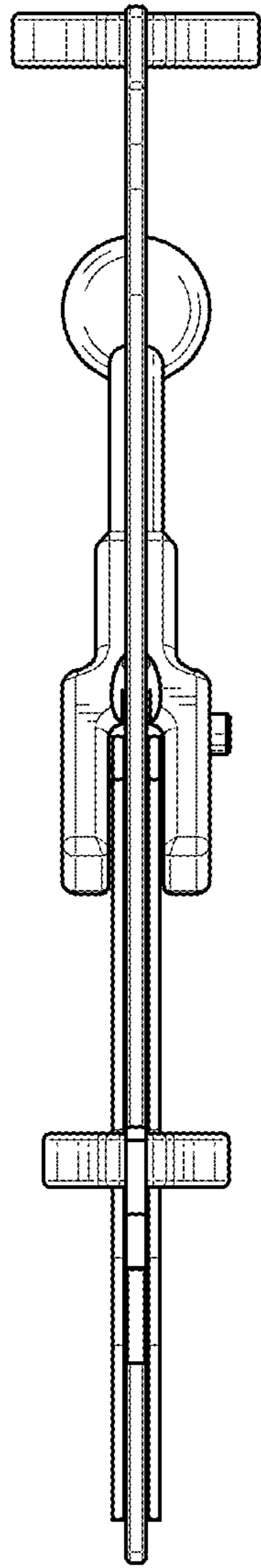


FIG. 4

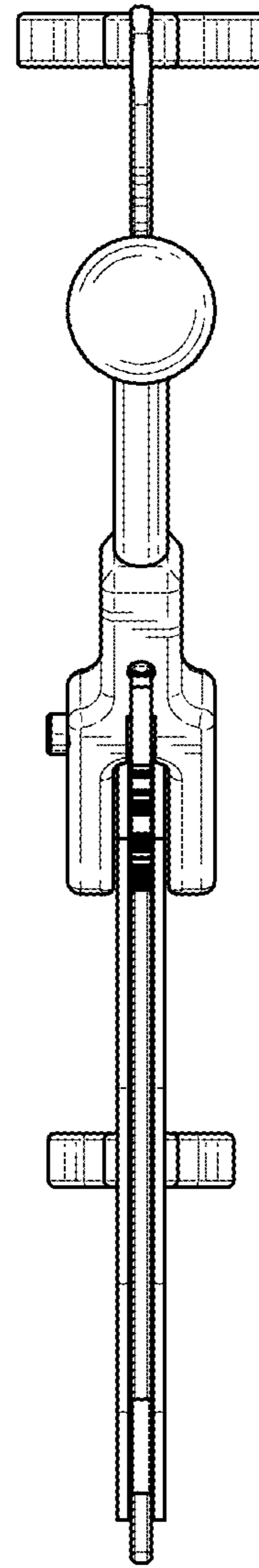


FIG. 5

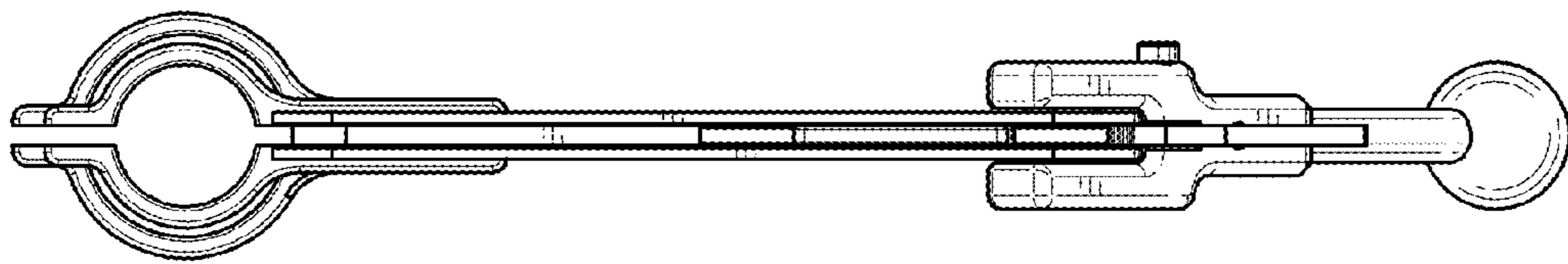


FIG. 6

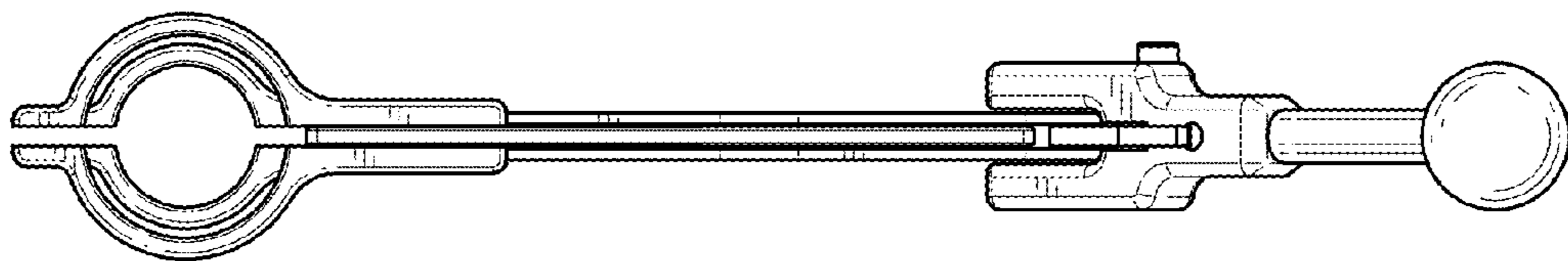


FIG. 7

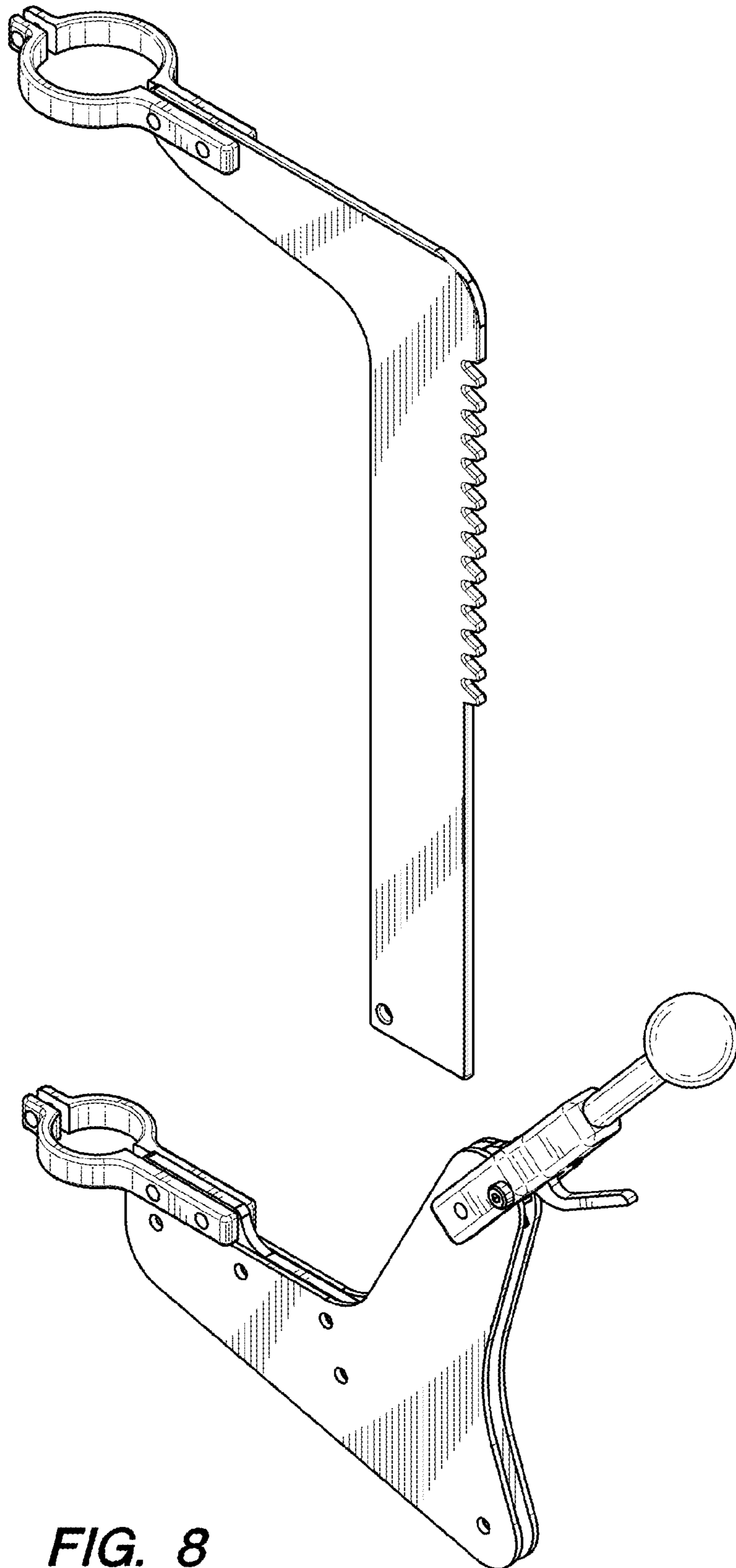


FIG. 8