



US00D753453S

(12) **United States Design Patent**
Timpson

(10) **Patent No.:** **US D753,453 S**

(45) **Date of Patent:** **** Apr. 12, 2016**

(54) **PORTABLE HANDHELD DRILL PRESS**

2015/0273594 A1* 10/2015 Timpson B25H 1/0021
408/66

(71) Applicant: **Carl Timpson**, Hildale, UT (US)

* cited by examiner

(72) Inventor: **Carl Timpson**, Hildale, UT (US)

Primary Examiner — Deanna L Pratt

(**) Term: **14 Years**

(74) *Attorney, Agent, or Firm* — Gurr & Brande, PLLC;
Robert A. Gurr

(21) Appl. No.: **29/511,779**

(22) Filed: **Dec. 12, 2014**

(51) **LOC (10) Cl.** **08-05**

(52) **U.S. Cl.**

USPC **D8/51**; D8/70; D15/132

(58) **Field of Classification Search**

USPC D8/14, 51, 70, 106; D15/132, 138,
D15/140–142

CPC Y10S 408/712; Y10S 408/5626; Y10S
212/901; B25H 1/0057; B25H 1/0078; B25H
1/0071; B25H 1/0064

See application file for complete search history.

(57) **CLAIM**

The ornamental design for a portable handheld drill press, as shown and described.

DESCRIPTION

FIG. 1 is a perspective view of the portable handheld drill press;

FIG. 2 is a right side elevation view of the portable handheld drill press;

FIG. 3 is a left side elevation view of the portable handheld drill press;

FIG. 4 is a front elevation view of the portable handheld drill press;

FIG. 5 is a back elevation view of the portable handheld drill press;

FIG. 6 is a top view of the portable handheld drill press;

FIG. 7 is a bottom view of the portable handheld drill press; and,

FIG. 8 is a separated view of the portable handheld drill press.

The broken lines in FIG. 1 illustrate the environment of the claimed design and form no part thereof.

(56) **References Cited**

U.S. PATENT DOCUMENTS

D273,299 S * 4/1984 Archeskie D15/132

D318,408 S * 7/1991 Rankin D8/70

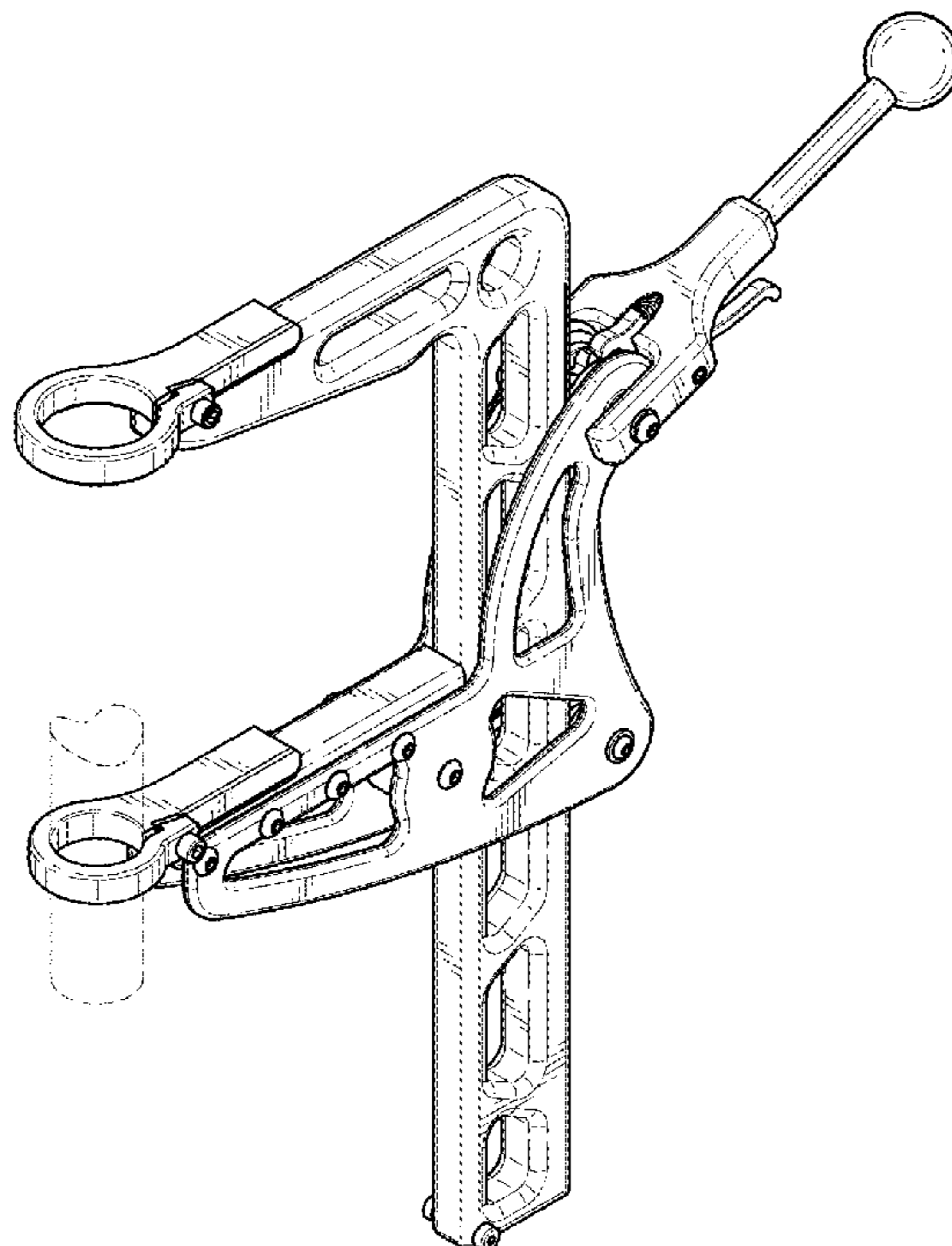
6,692,201 B2 * 2/2004 Soderman B25H 1/0064

2004/0202516 A1 * 10/2004 Lanser B23Q 9/02

2005/0276670 A1 * 12/2005 Freund B25H 1/0035

408/111
408/1 R
408/129

1 Claim, 6 Drawing Sheets



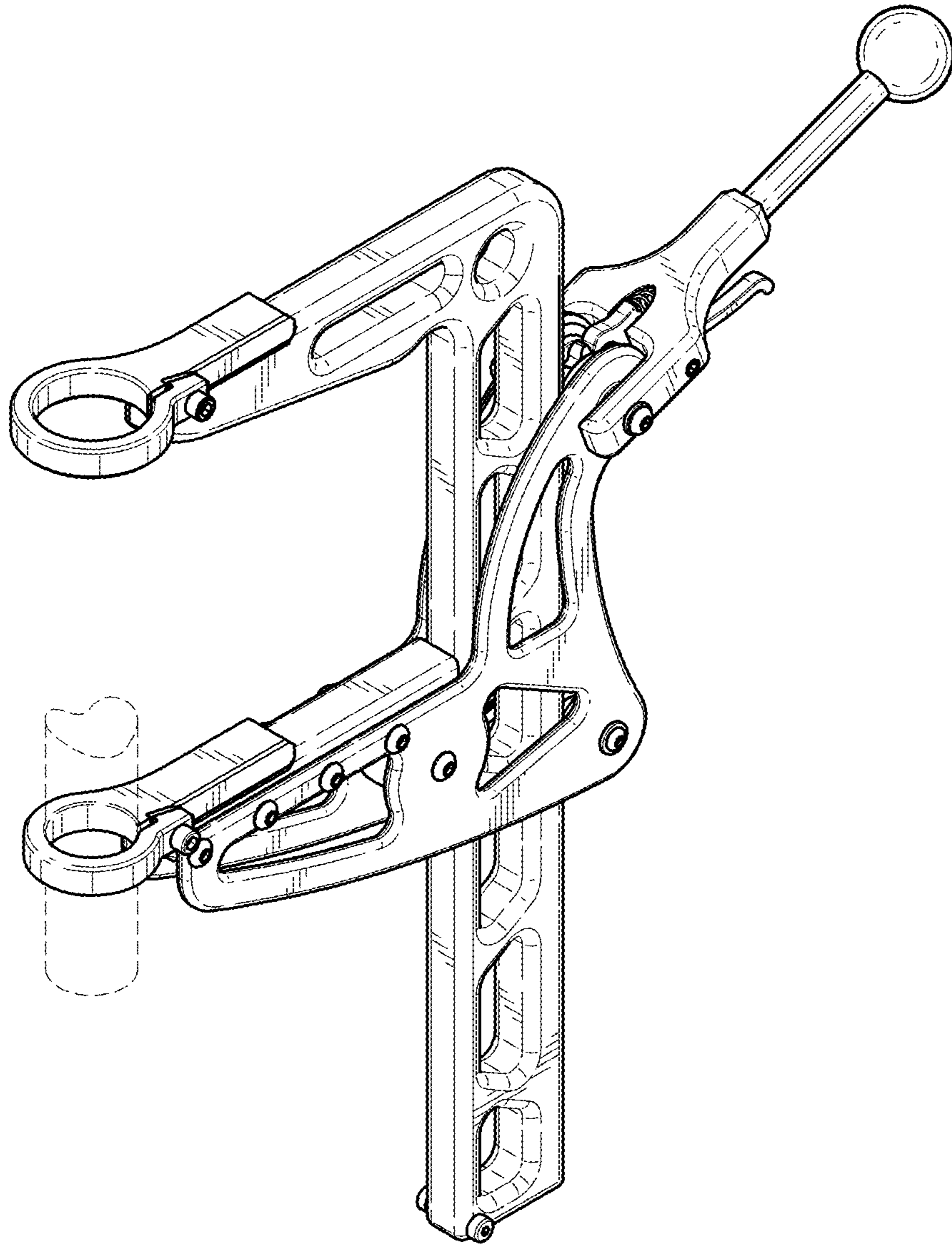


FIG. 1

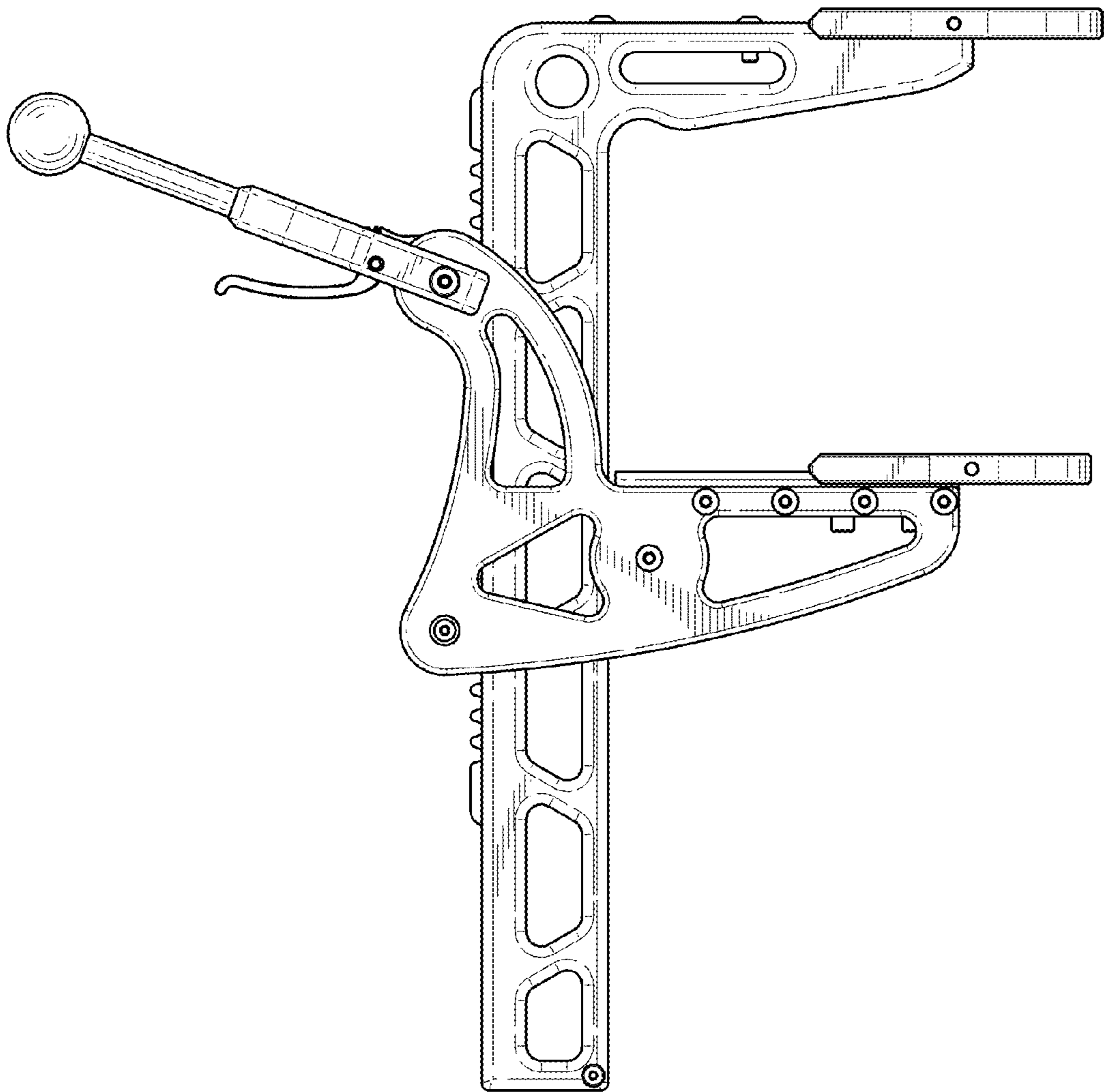


FIG. 2

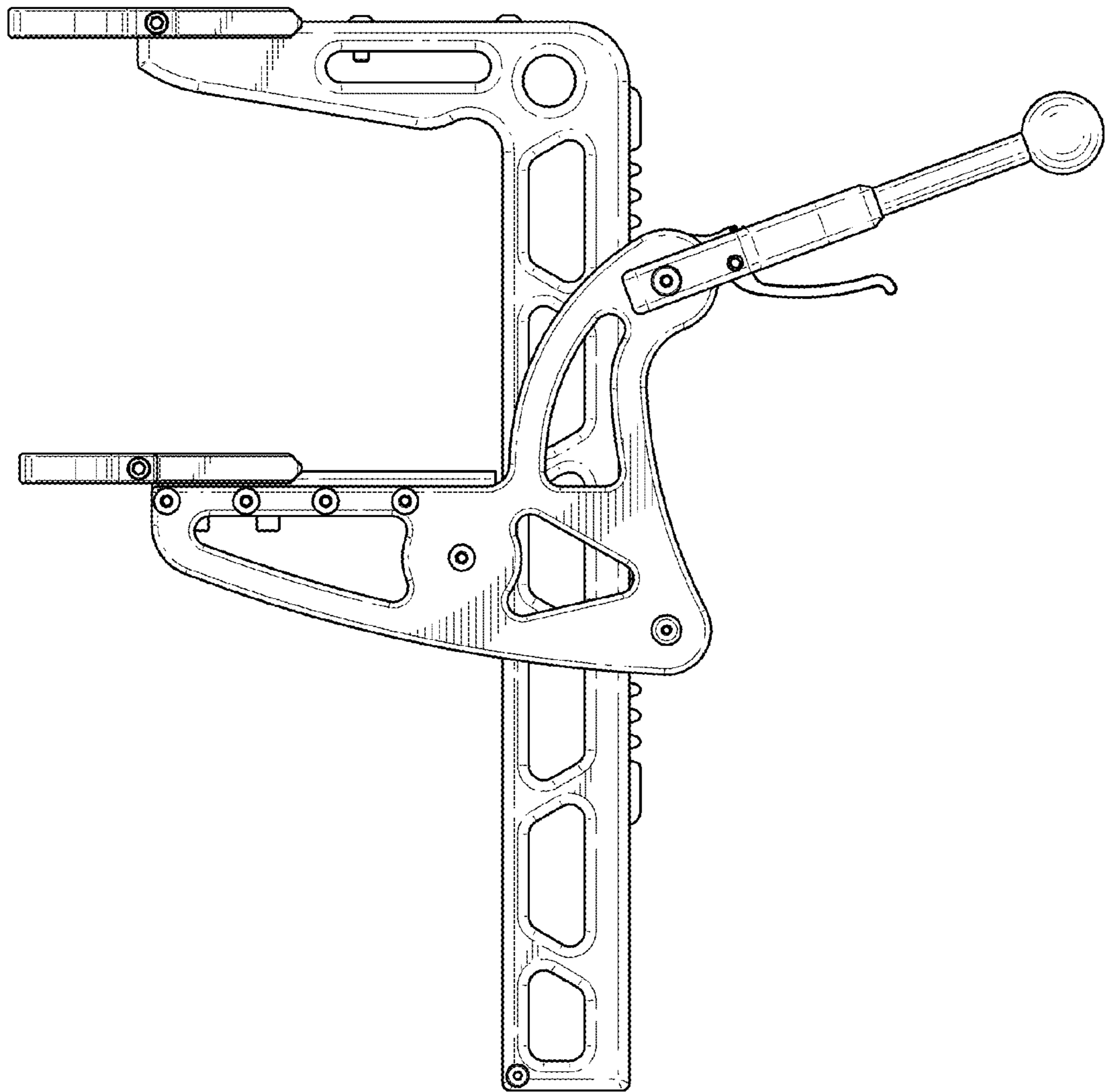


FIG. 3

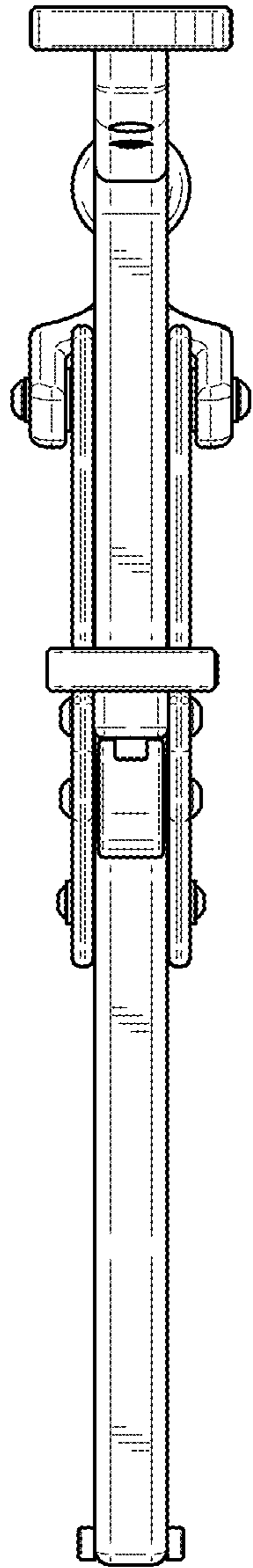


FIG. 4

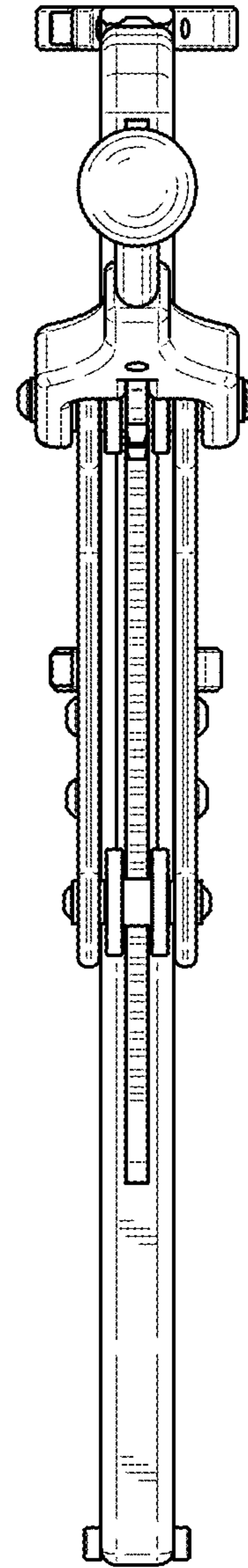


FIG. 5

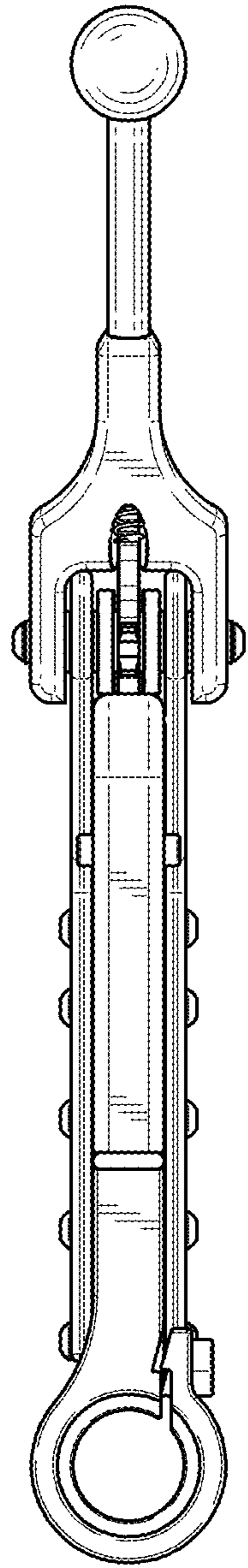


FIG. 6

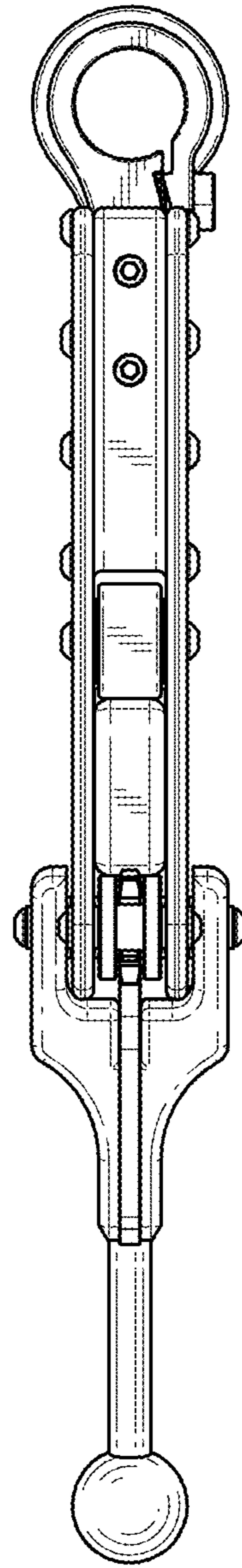


FIG. 7

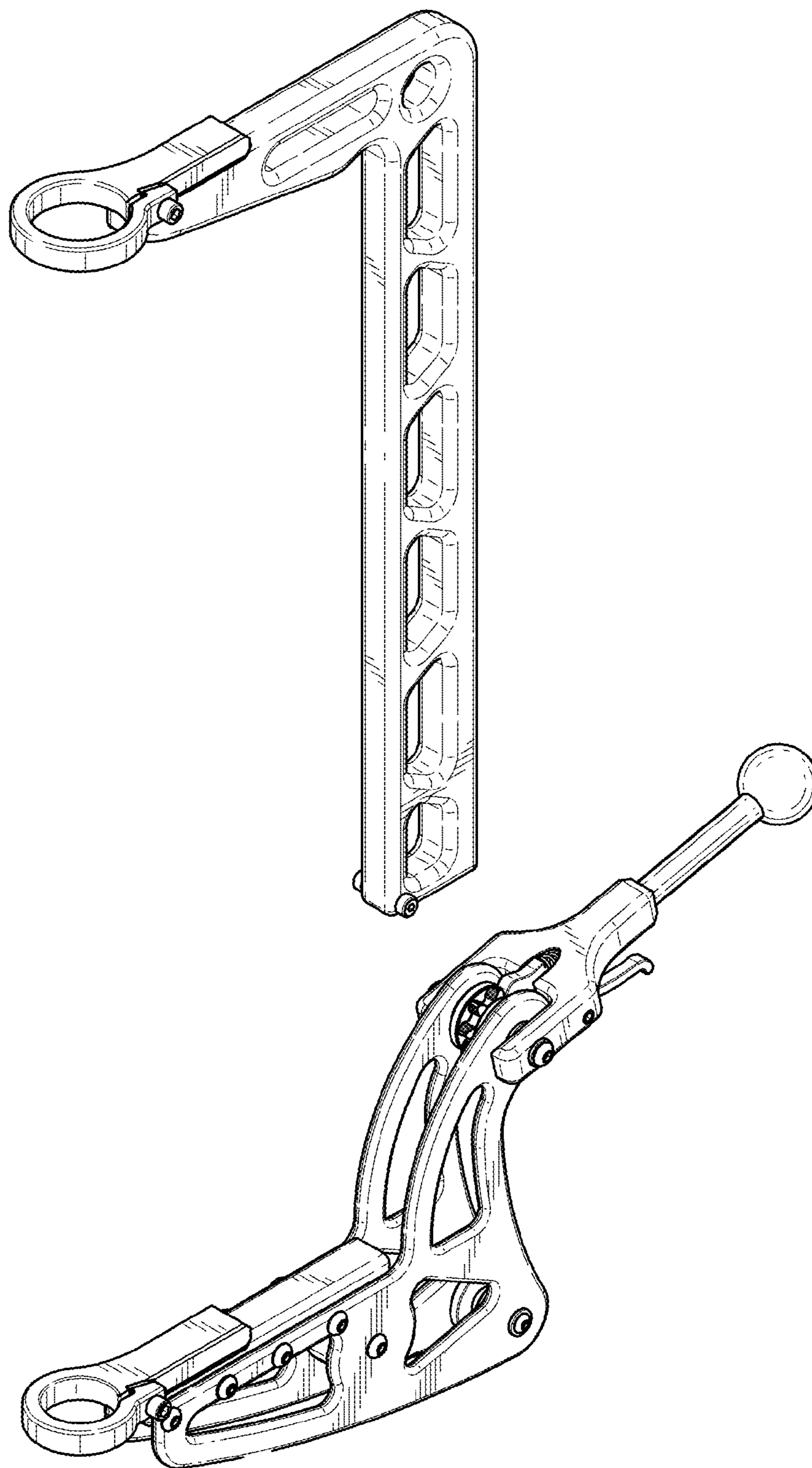


FIG. 8