



US00D753451S

(12) **United States Design Patent**
Khaitan

(10) **Patent No.:** **US D753,451 S**
(45) **Date of Patent:** **** Apr. 12, 2016**

(54) **FRUIT BASKET WITH BANANA HOLDER**

(71) Applicant: **Anurag Khaitan**, Los Angeles, CA (US)

(72) Inventor: **Anurag Khaitan**, Los Angeles, CA (US)

(**) Term: **14 Years**

(21) Appl. No.: **29/500,826**

(22) Filed: **Aug. 28, 2014**

(51) **LOC (10) Cl.** **07-06**

(52) **U.S. Cl.**
USPC **D7/704**

(58) **Field of Classification Search**

USPC D6/676.5, 677.5, 678.4, 680.3; D7/304,
D7/306, 409, 505, 600.1, 601, 704;
211/41.3, 41.4, 181.1, 86.01, 90.03;
248/153, 175, 465.1

CPC A47G 19/08; A47B 23/00
See application file for complete search history.

(56) **References Cited**

U.S. PATENT DOCUMENTS

D591,561 S * 5/2009 Goodman D7/601
D616,253 S * 5/2010 Goodman D7/601
D698,204 S * 1/2014 Goodman D7/601

OTHER PUBLICATIONS

Alibaba.com, Wire Stainless Steel Fruit Basket, [visited: Nov. 6, 2015], [URL: http://www.alibaba.com/product-detail/wire-stainless-steel-fruit-basket_60221811647.html].*

* cited by examiner

Primary Examiner — Thomas Johannes

Assistant Examiner — S. Bryan Reinholdt, Jr.

(74) *Attorney, Agent, or Firm* — Trojan Law Offices

(57) **CLAIM**

The ornamental design for a fruit basket with banana holder, as shown and described.

DESCRIPTION

FIG. 1 is a perspective view of a fruit basket with banana holder, showing my new design;

FIG. 2 is a front view thereof;

FIG. 3 is a rear view thereof;

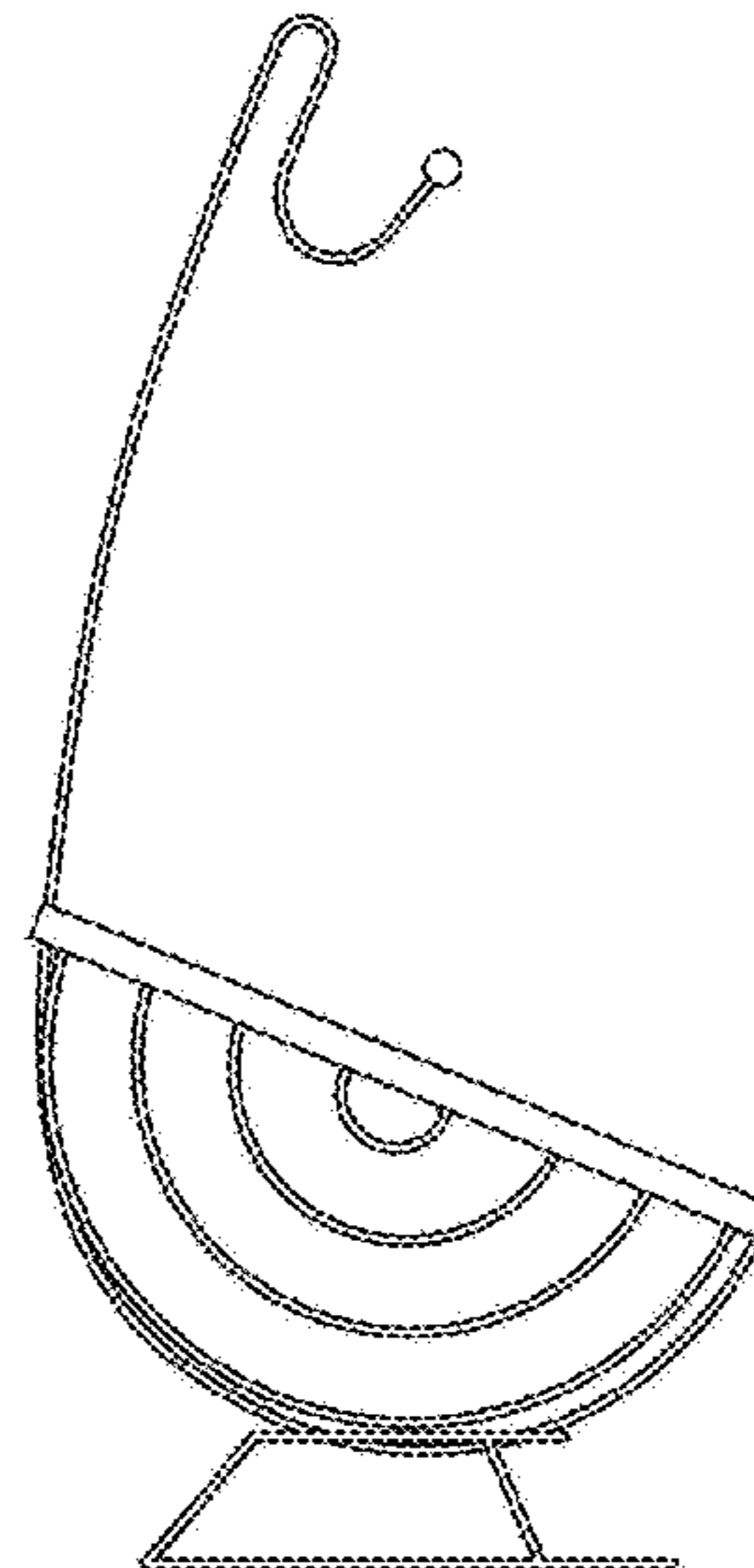
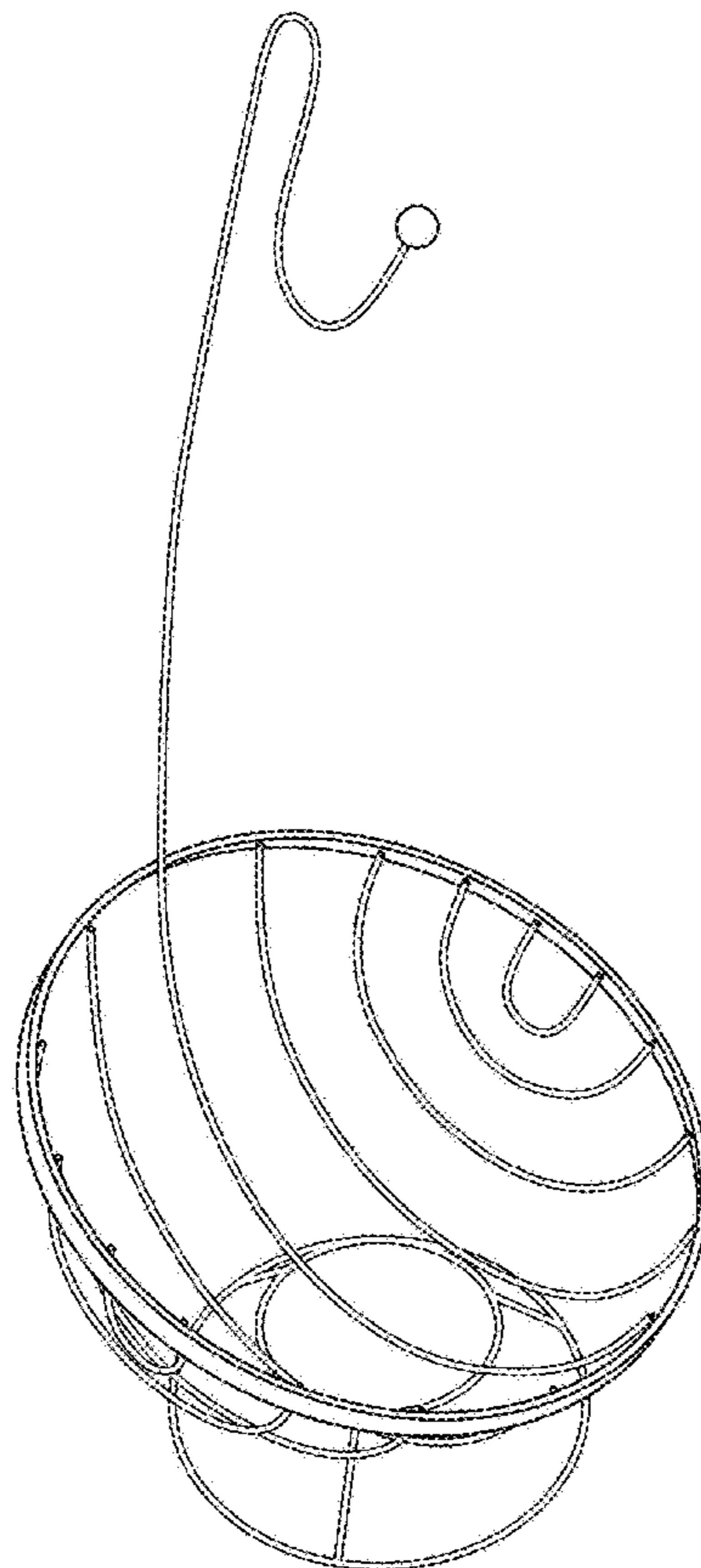
FIG. 4 is a top view thereof;

FIG. 5 is a bottom view thereof;

FIG. 6 is a left side view thereof; and,

FIG. 7 is a right side view thereof.

1 Claim, 4 Drawing Sheets



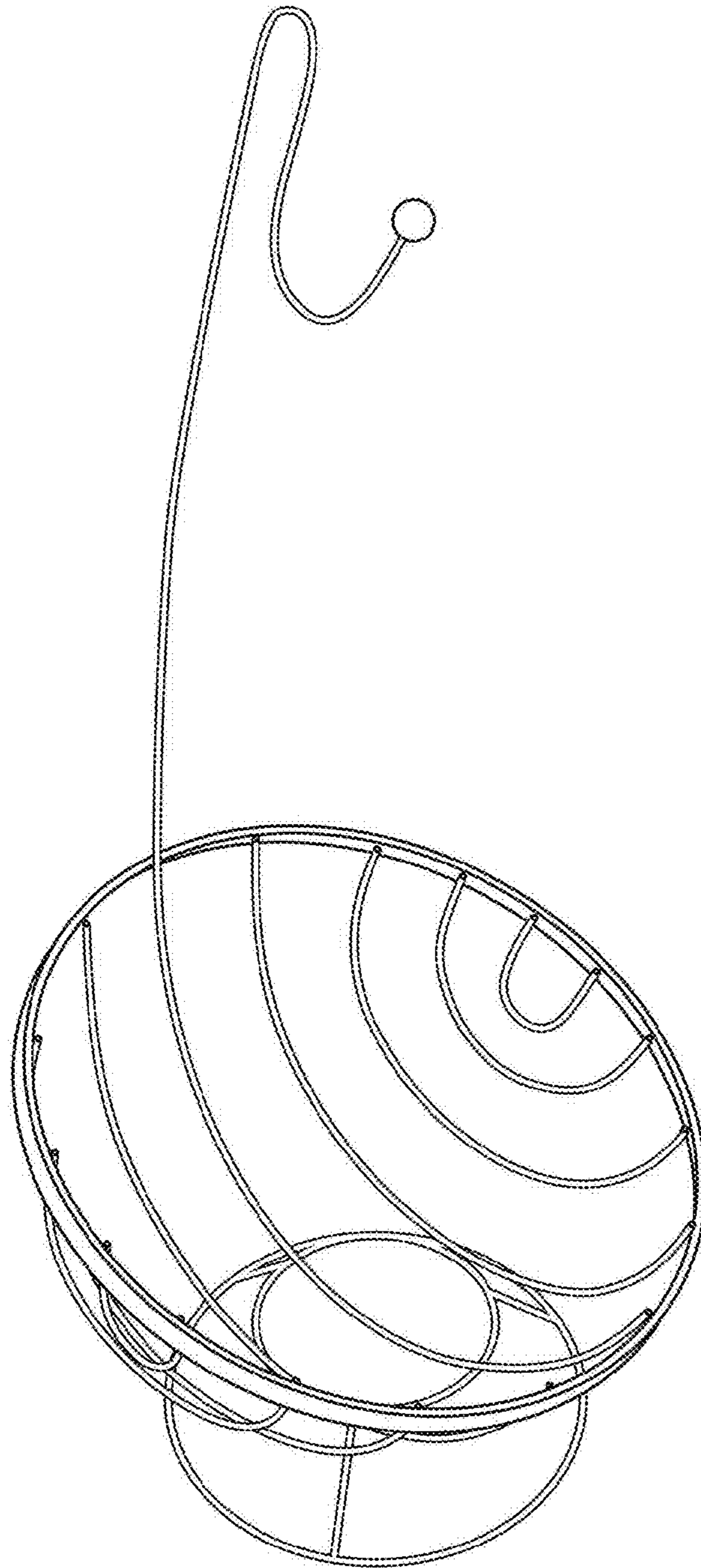


Fig. 1

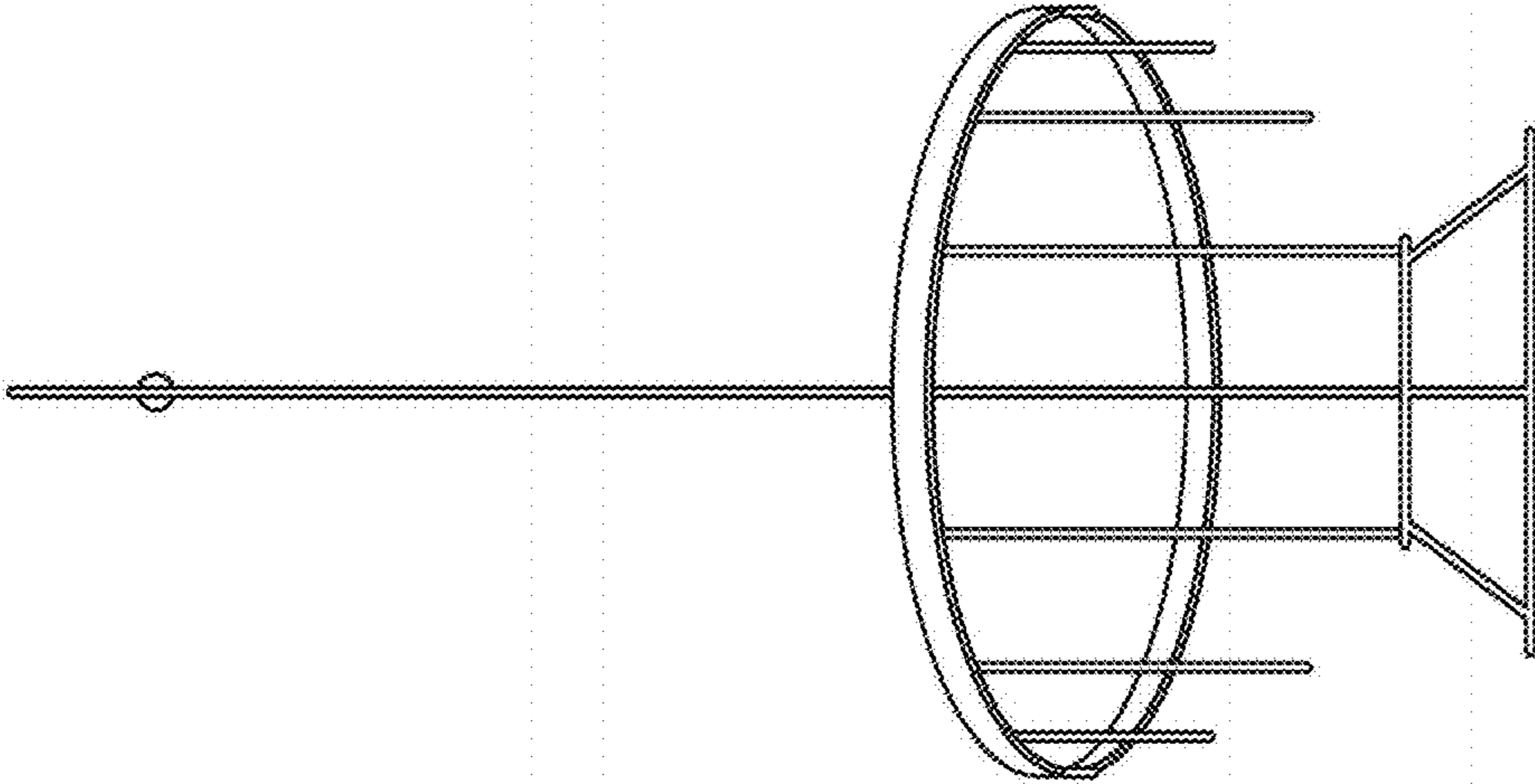


Fig. 3

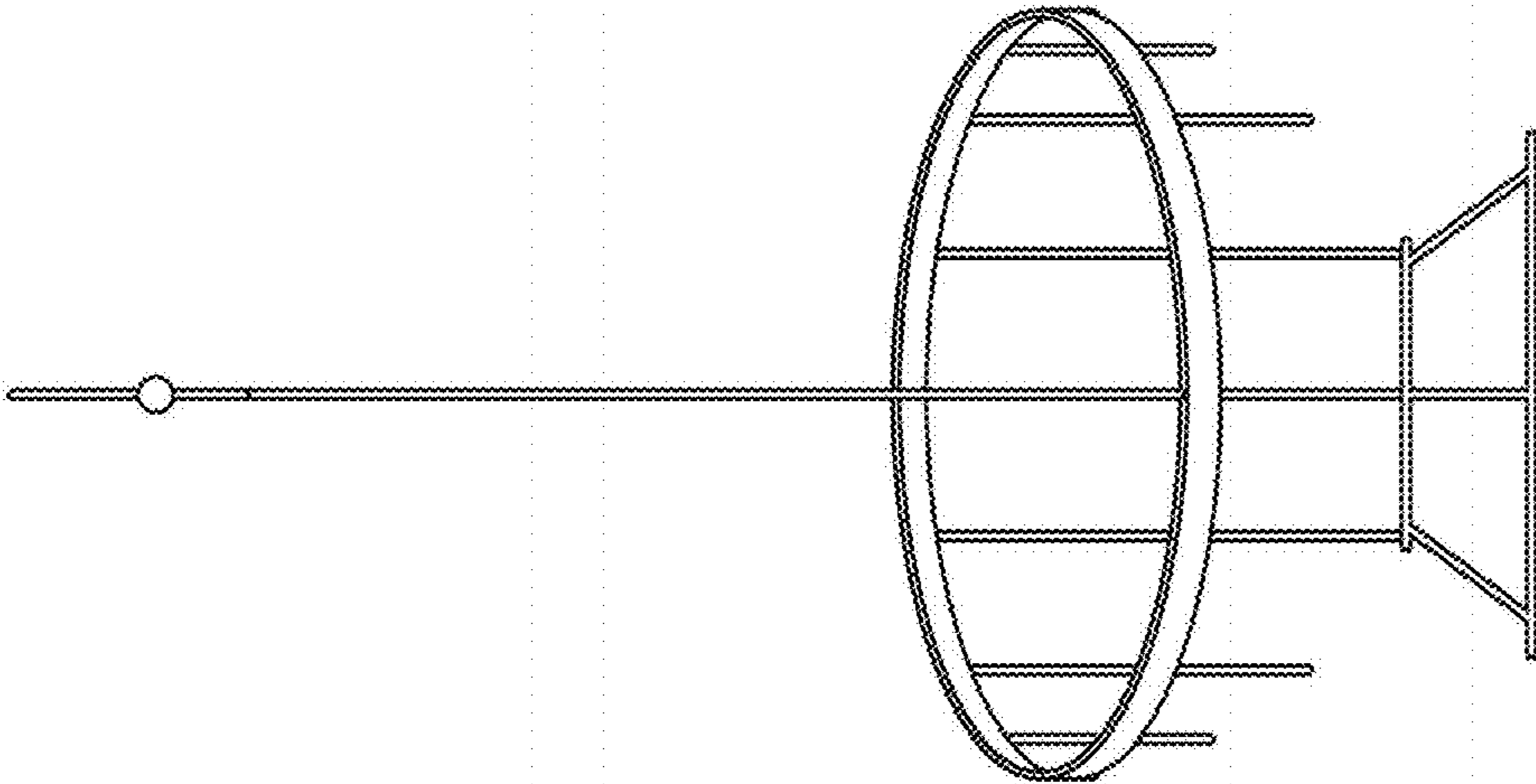


Fig. 2

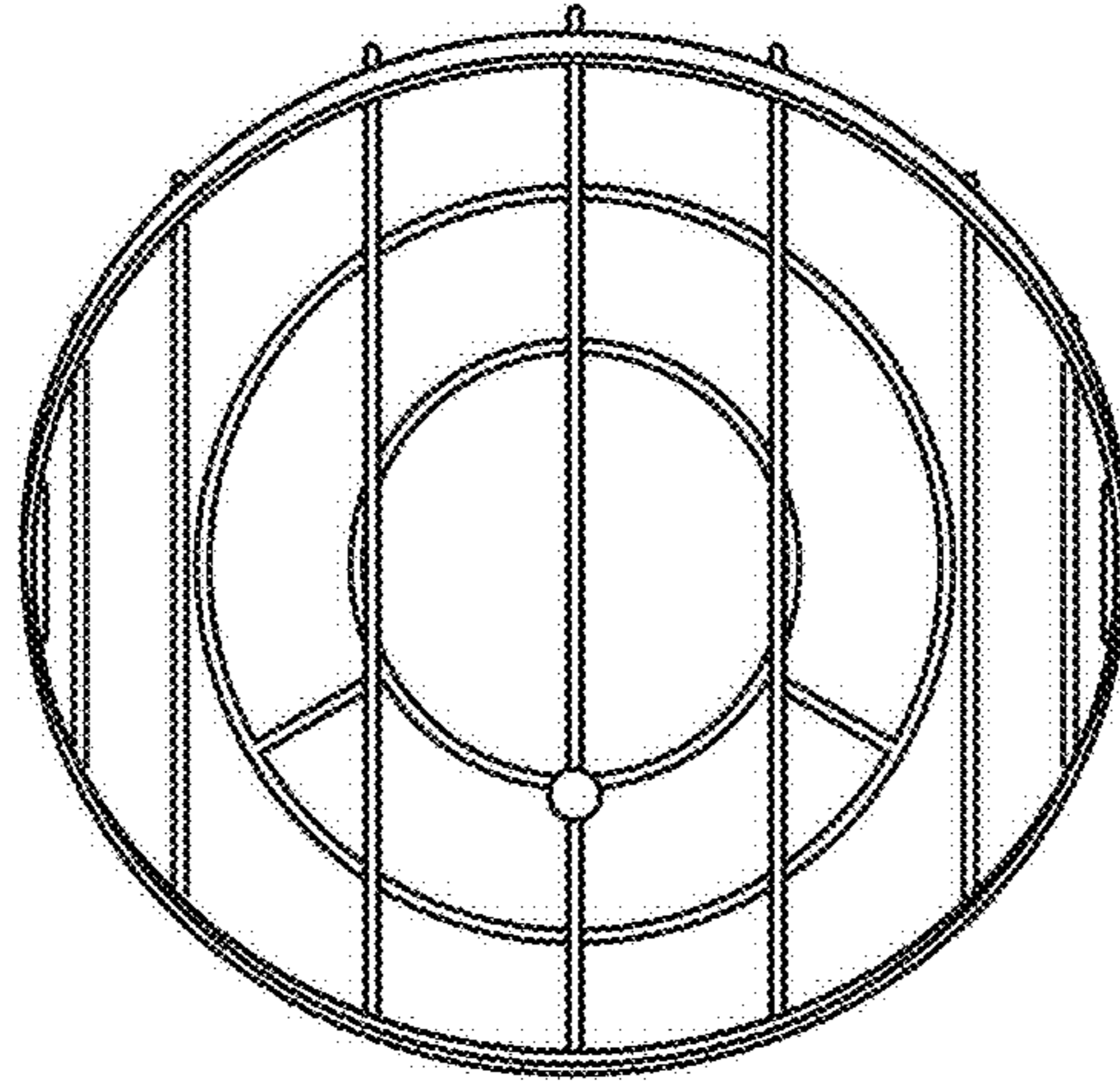


Fig. 4

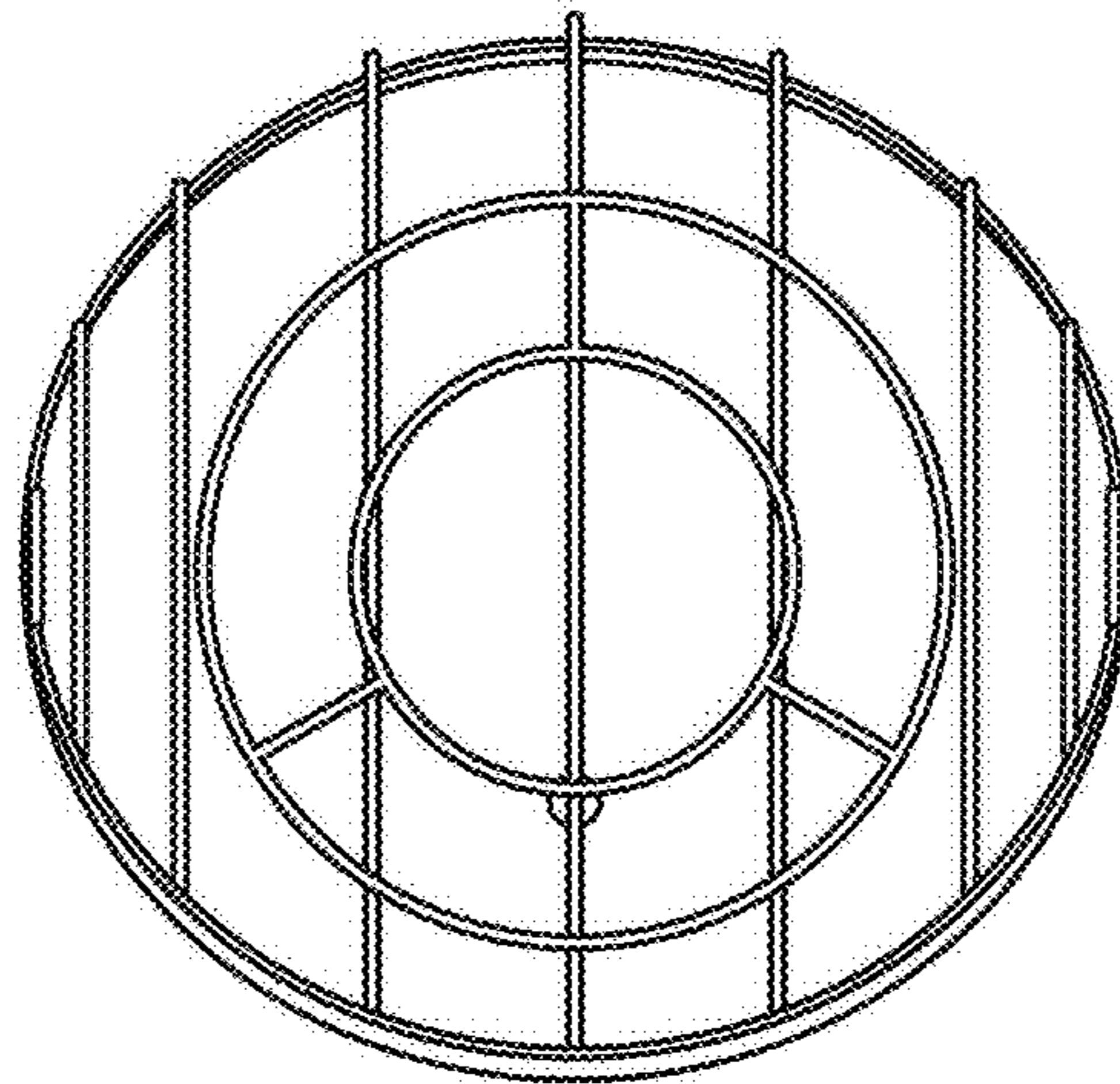


Fig. 5

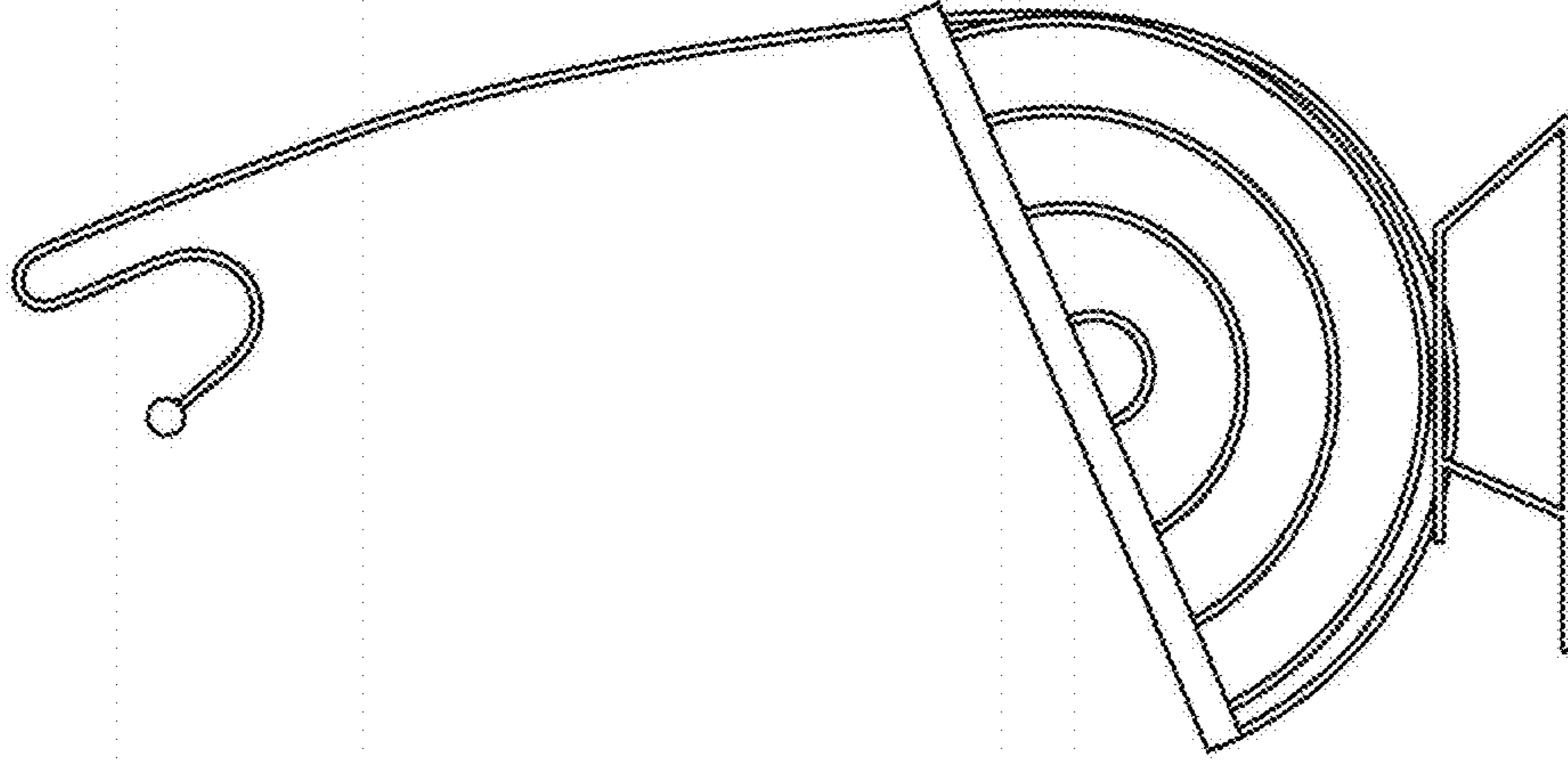


Fig. 6

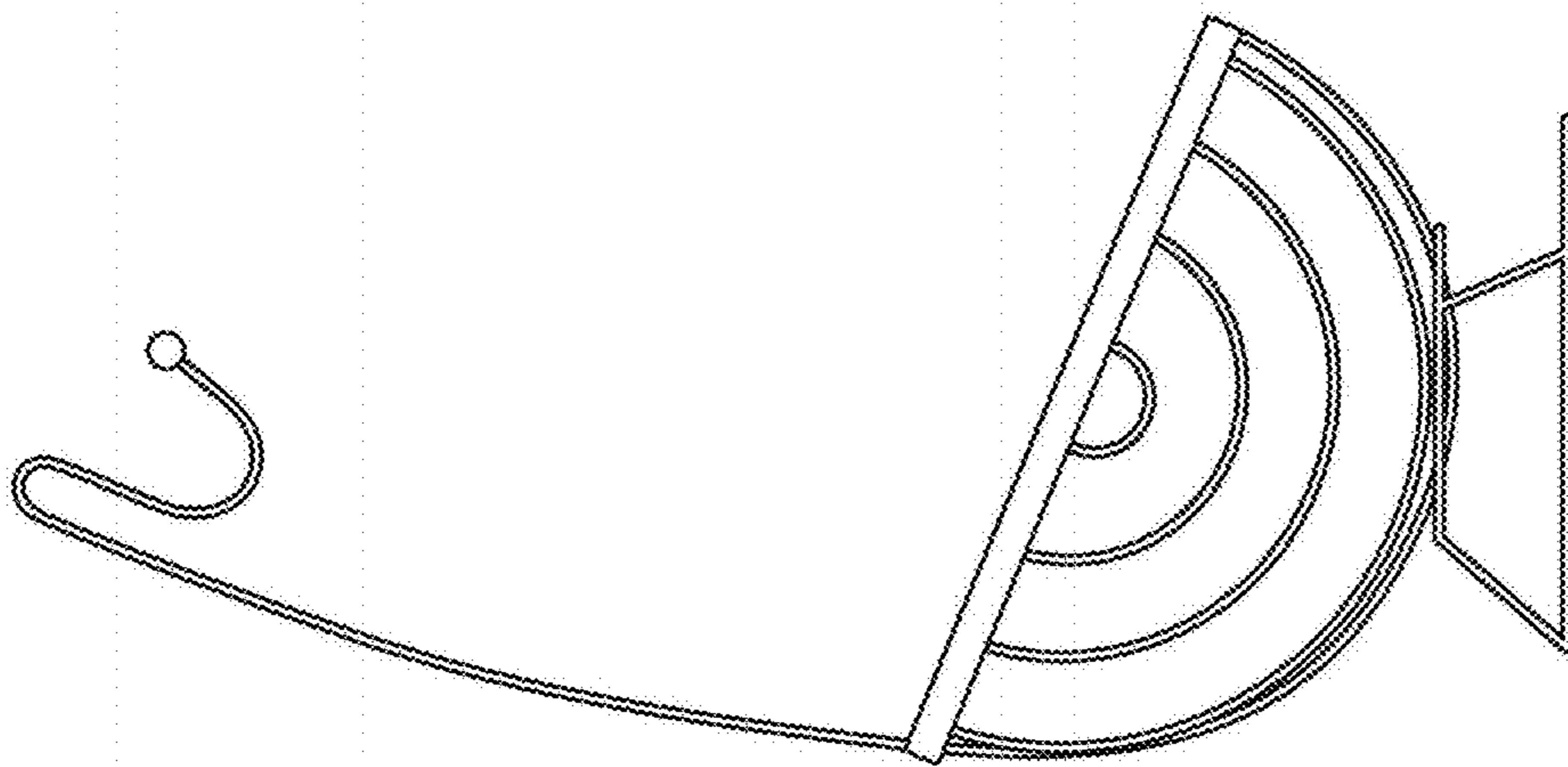


Fig. 7