



US00D753450S

(12) **United States Design Patent**
Lessel

(10) **Patent No.:** **US D753,450 S**
(45) **Date of Patent:** **** Apr. 12, 2016**

(54) **SPATULA**

(71) Applicant: **Vorwerk & Co. Interholding GmbH,**
Wuppertal (DE)

(72) Inventor: **Thomas Lessel,** Essen (DE)

(73) Assignee: **Vorwerk & Co. Interholding GmbH,**
Wuppertal (DE)

(**) Term: **14 Years**

(21) Appl. No.: **29/510,099**

(22) Filed: **Nov. 25, 2014**

(30) **Foreign Application Priority Data**

Sep. 1, 2014 (DE) 10 2014 112 518
Sep. 3, 2014 (EM) 001420202

(51) **LOC (10) Cl.** **07-02**

(52) **U.S. Cl.**
USPC **D7/688**

(58) **Field of Classification Search**
USPC D7/688, 689; D32/46; 15/245.1, 245;
294/7, 8; 366/129
CPC A47J 43/288; A47J 43/283; A47J 43/10
See application file for complete search history.

(56) **References Cited**

U.S. PATENT DOCUMENTS

D226,392 S *	2/1973	Lindbo	D7/688
D266,476 S *	10/1982	Thomasson	D32/49
D289,962 S *	5/1987	Augustino	D7/688
D444,030 S *	6/2001	Backstrom	D7/393
D464,536 S *	10/2002	Veltri	D7/688
D473,762 S *	4/2003	Kerr	D7/688
D481,270 S *	10/2003	Siegel	D7/688
D487,556 S *	3/2004	Siegel	D7/688

D527,944 S *	9/2006	Brooks	D7/395
D606,372 S *	12/2009	Gorskey	D7/688
D628,447 S *	12/2010	Genatossio	D7/688
D628,448 S *	12/2010	Genatossio	D7/691
D631,711 S *	2/2011	Jossem	D7/688
D658,951 S *	5/2012	Jossem	D7/688
D677,532 S *	3/2013	Joseph	D7/688
D702,095 S *	4/2014	Fugett	D7/692
D703,495 S *	4/2014	Hoyord	D7/688
D707,089 S *	6/2014	Fugett	D7/692
D708,025 S *	7/2014	Cloutier	D7/688
D712,710 S *	9/2014	Gonzales	D7/688
D713,220 S *	9/2014	Cloutier	D7/688
D723,881 S *	3/2015	Cloutier	D7/688
D740,082 S *	10/2015	Silva	D7/688
D746,112 S *	12/2015	Holcombe	D7/642

OTHER PUBLICATIONS

Specification, Claim and Drawings of U.S. Appl. No. 29/510,098, filed Nov. 25, 2014.

* cited by examiner

Primary Examiner — Rosemary K Tarcza

Assistant Examiner — James Thorn, Sr.

(74) *Attorney, Agent, or Firm* — Collard & Roe, P.C.

(57) **CLAIM**

The ornamental design for a spatula, as shown and described.

DESCRIPTION

FIG. 1 is a side view of a spatula, showing my new design;
FIG. 2 is a top view thereof;
FIG. 3 is a side view thereof, opposite to the side view in FIG. 1;
FIG. 4 is a bottom view thereof;
FIG. 5 is a rear view thereof;
FIG. 6 is a front view thereof; and,
FIG. 7 is a side and front perspective view thereof.

1 Claim, 3 Drawing Sheets

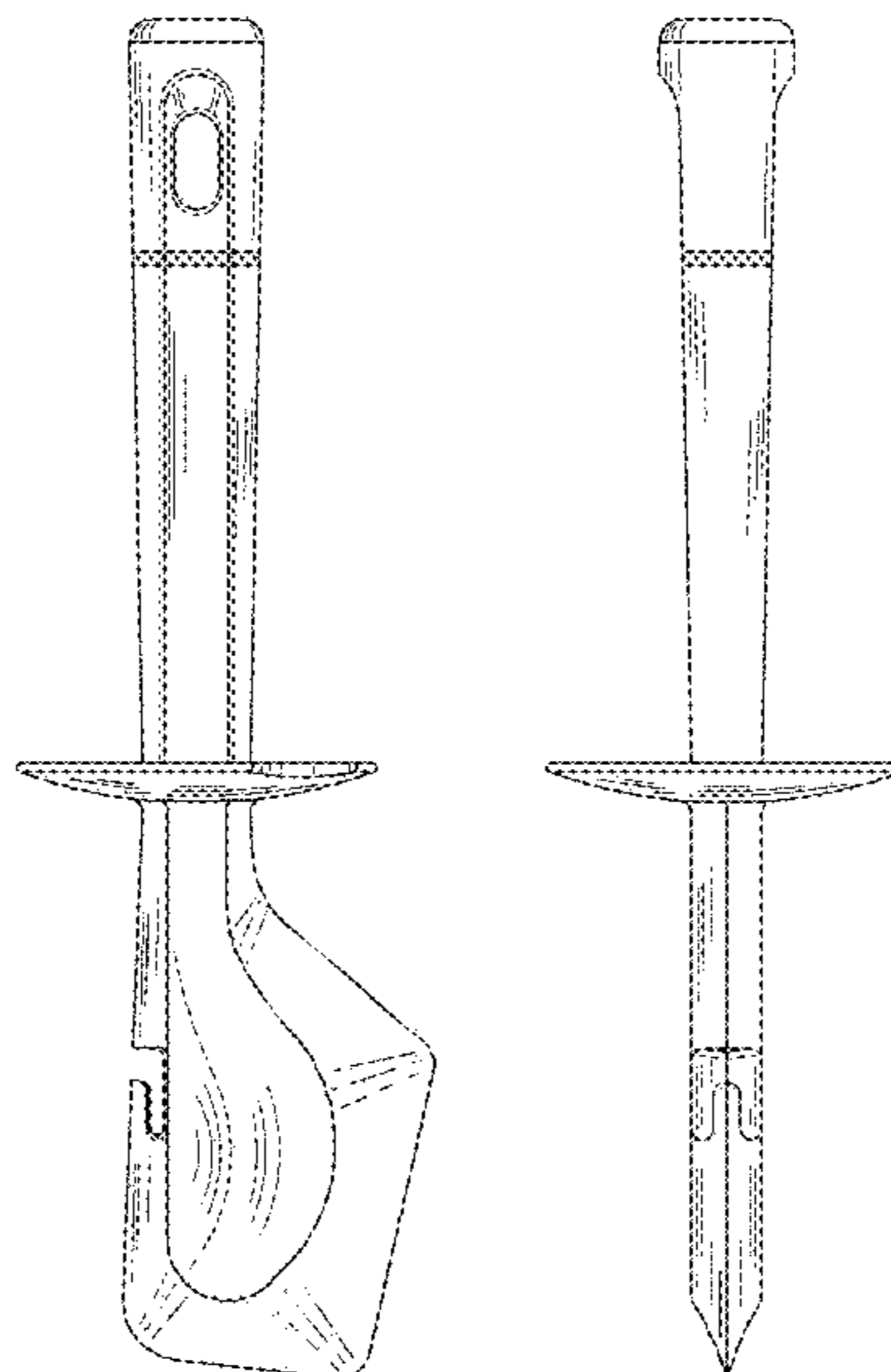


Fig. 1

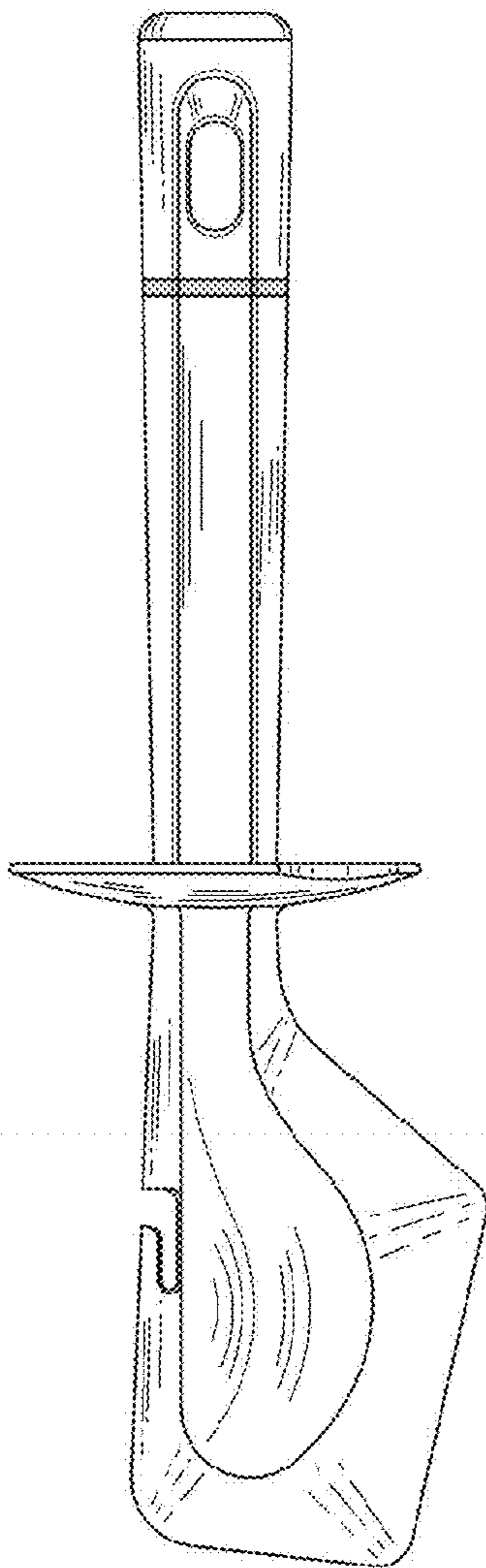


Fig. 2

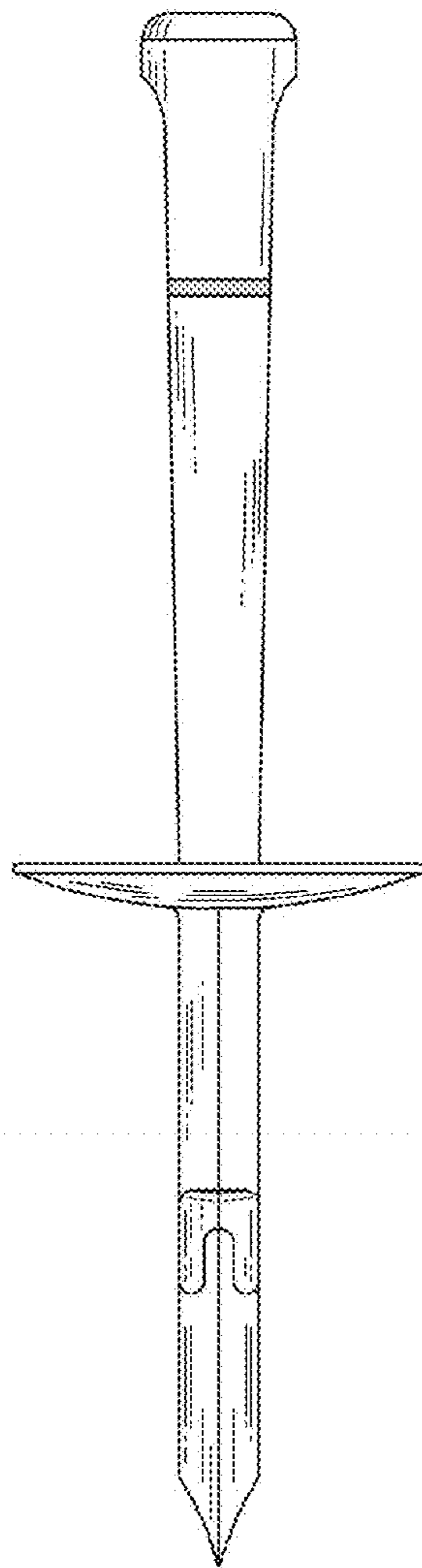


Fig. 3

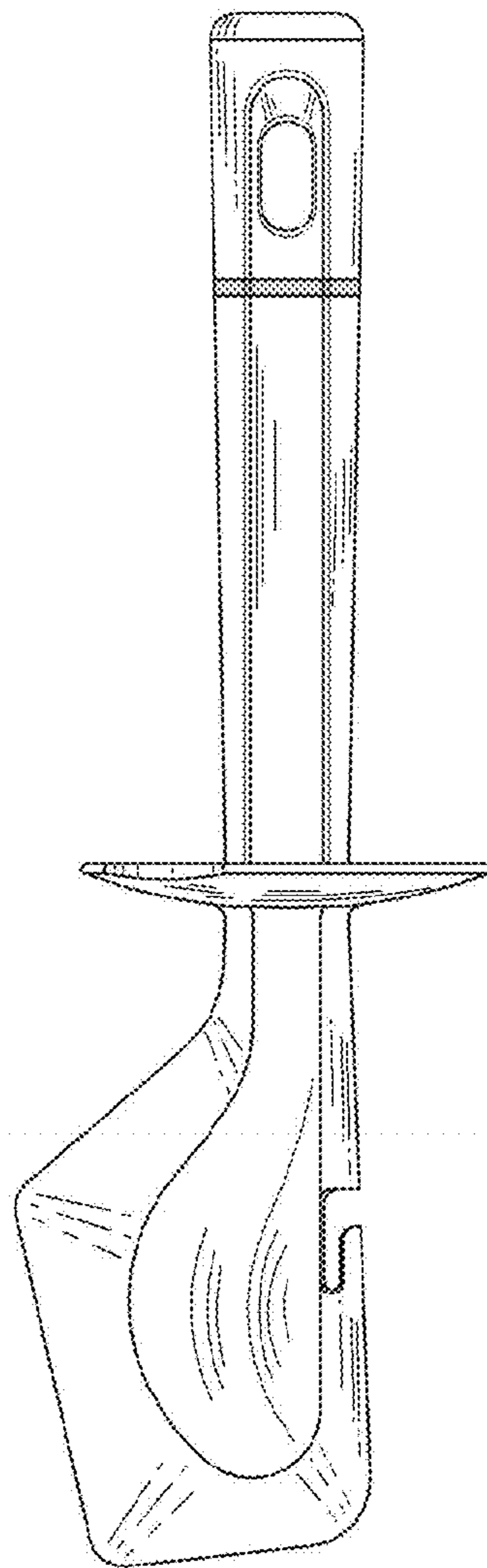


Fig. 4

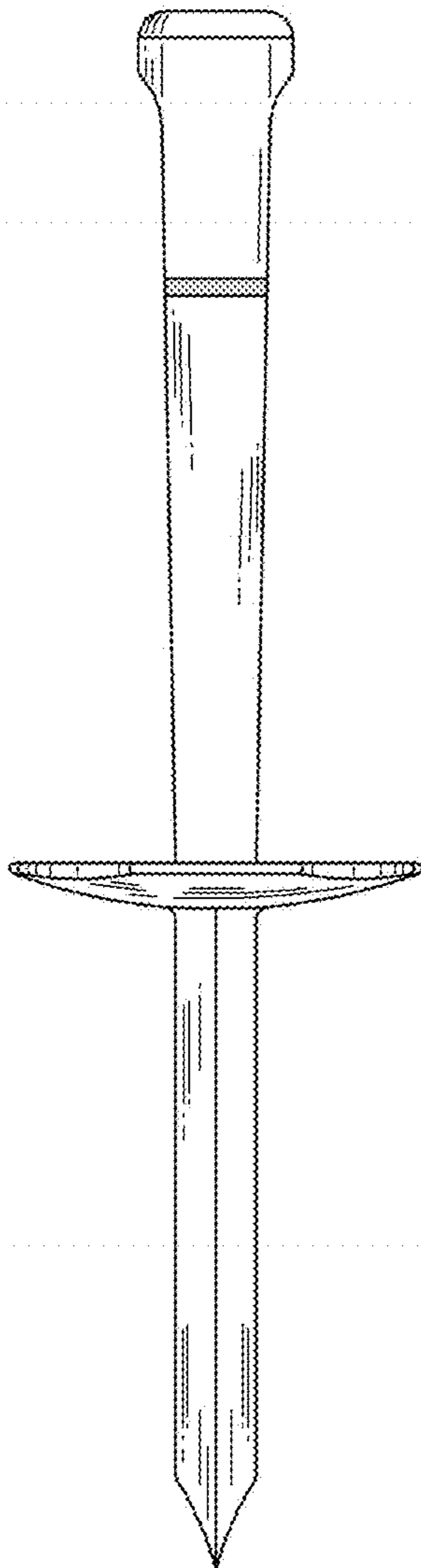


Fig. 5

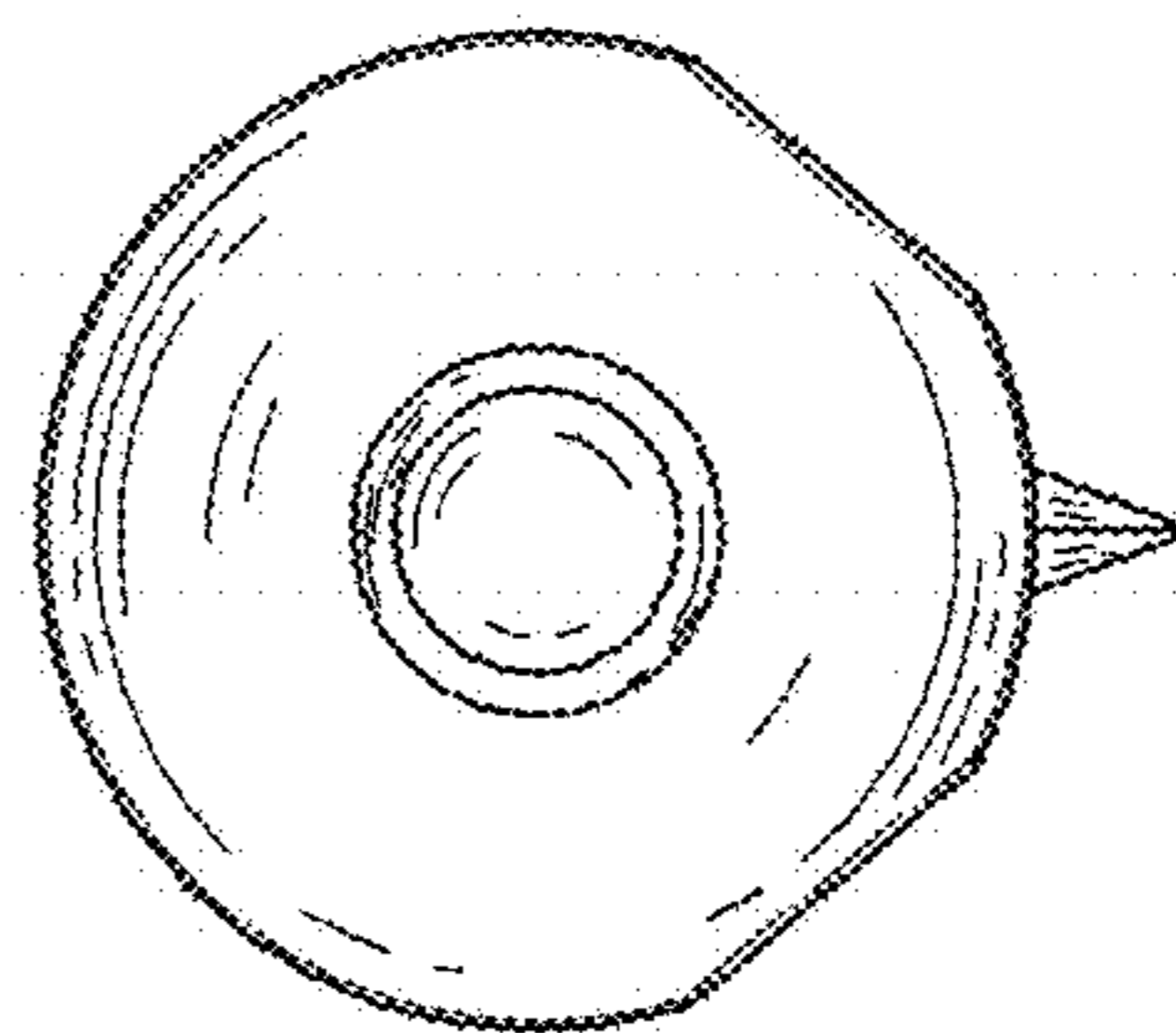


Fig. 6

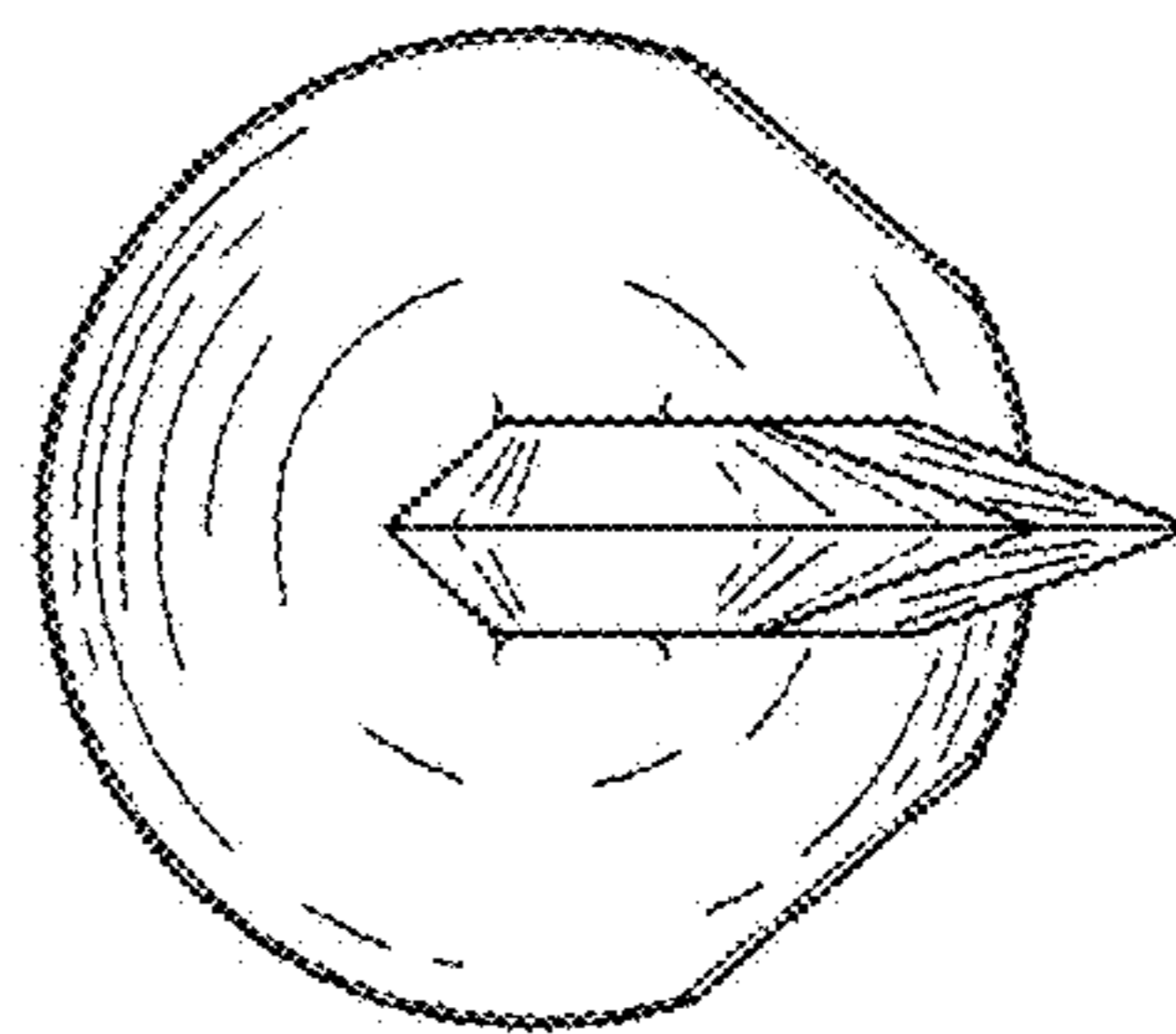


Fig. 7

