



US00D753448S

(12) **United States Design Patent**
Hartshorn et al.

(10) **Patent No.:** **US D753,448 S**
(45) **Date of Patent:** **** Apr. 12, 2016**

(54) **POTATO RICER**

(71) Applicant: **JOSEPH JOSEPH LTD.**, London,
Greater London (GB)

(72) Inventors: **Richard Hartshorn**, London (GB);
Edward Goodwin, London (GB)

(73) Assignee: **Joseph Joseph Ltd.**, London (GB)

(**) Term: **14 Years**

(21) Appl. No.: **29/499,965**

(22) Filed: **Aug. 20, 2014**

(30) **Foreign Application Priority Data**

Feb. 26, 2014 (EM) 002413013-0008

(51) **LOC (10) Cl.** **07-04**

(52) **U.S. Cl.**
USPC **D7/666**

(58) **Field of Classification Search**
USPC D7/666, 672, 673, 674; 100/110, 125,
100/126, 234; 241/84.4, 169, 201, 204;
99/506
CPC A23P 1/10; A47J 19/04
See application file for complete search history.

(56) **References Cited**

U.S. PATENT DOCUMENTS

1,885,873 A * 11/1932 Stein A47J 19/005
241/84.4
D324,156 S * 2/1992 Shun D7/666
D437,189 S * 2/2001 Schulein D7/666
D508,636 S * 8/2005 So D7/666
7,000,535 B2 * 2/2006 Harrison-Griffin
et al. A47J 19/06
100/126
D521,325 S * 5/2006 So D7/665

D521,814 S * 5/2006 Dorion D7/665
D521,816 S * 5/2006 So D7/665
D521,817 S * 5/2006 So D7/665
D521,818 S * 5/2006 So D7/665
7,293,502 B2 * 11/2007 So A47J 19/04
100/126
7,299,747 B2 * 11/2007 So A47J 19/005
100/110
D601,411 S * 10/2009 Barkdoll D8/395
D611,324 S * 3/2010 Dawson D8/323
D612,218 S * 3/2010 Blankenship D7/666
D613,565 S * 4/2010 Griffith D7/666

(Continued)

Primary Examiner — Rosemary K Tarcza

Assistant Examiner — James Thorn, Sr.

(74) *Attorney, Agent, or Firm* — Millen, White, Zelano &
Branigan, P.C.

(57) **CLAIM**

The ornamental design for a potato ricer, as shown and
described.

DESCRIPTION

FIG. 1 is a top perspective view of the potato ricer in an open
configuration showing my new design.

FIG. 2 is a top perspective view thereof in a closed configura-
tion.

FIG. 3 is a top view thereof in a closed configuration.

FIG. 4 is a bottom view thereof in a closed configuration.

FIG. 5 is a side view thereof in a disassembled configuration.

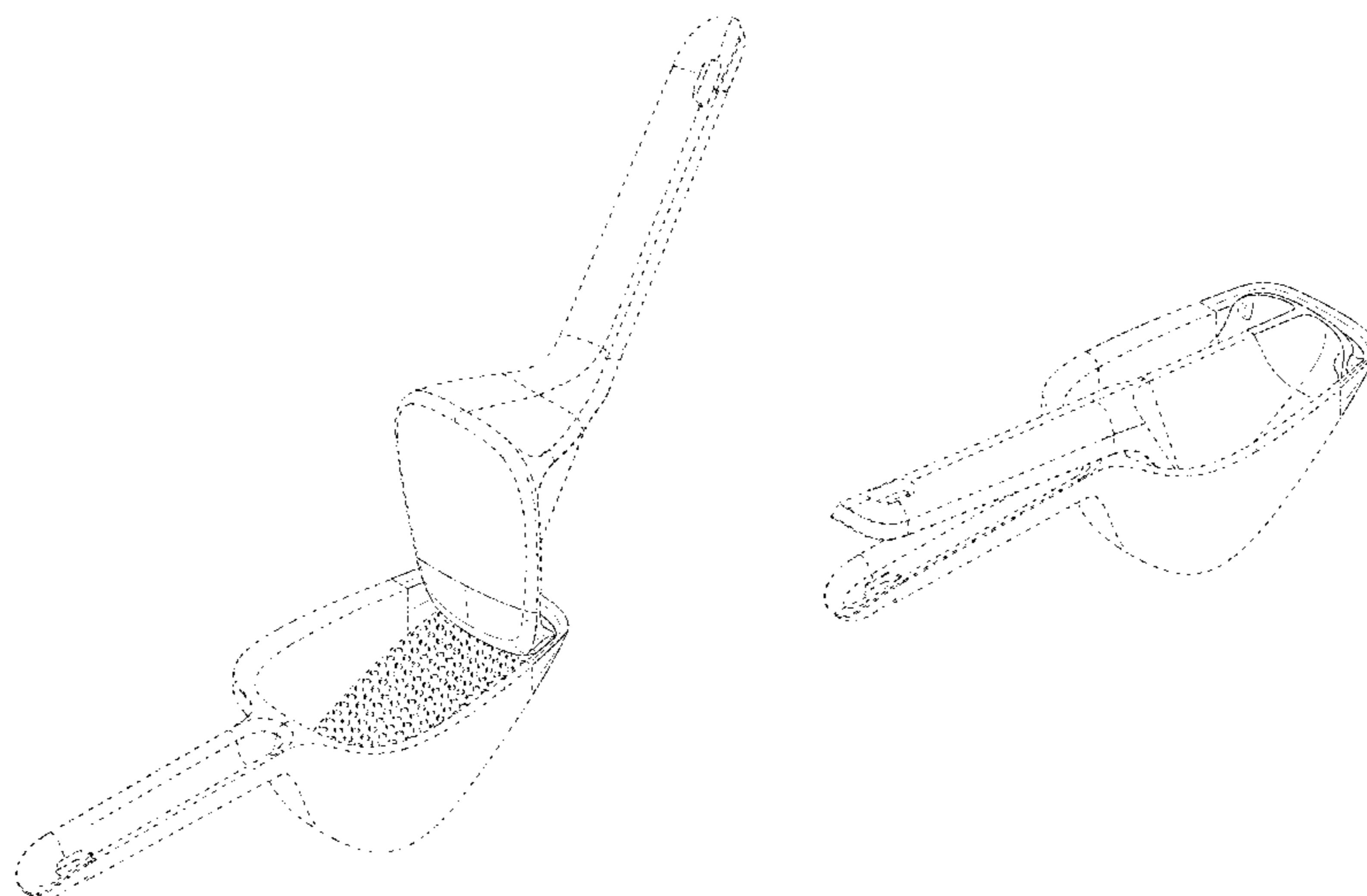
FIG. 6 is front view thereof in a disassembled configuration.

FIG. 7 is back view thereof in a disassembled configuration;
and,

FIG. 8 is a top view thereof in a disassembled configuration.

The broken lines showing other parts of the potato ricer form
no part of the claimed design. The dot-dash broken lines have
been provided to define the boundary between the claimed
portion of the design and the unclaimed broken line portion of
the design and forms no part of the claimed design.

1 Claim, 7 Drawing Sheets



(56)

References Cited

U.S. PATENT DOCUMENTS

D684,839 S *	6/2013	Oshima	D8/323	D741,142 S *	10/2015	Todd, Jr.	D8/327
D698,628 S *	2/2014	Stanley	D8/367	2004/0134362 A1 *	7/2004	Harrison-Griffin	
D700,036 S *	2/2014	Oshima	D8/323			et al.	A47J 19/06
D726,525 S *	4/2015	Kenerly	D8/328	2010/0229736 A1 *	9/2010	Griffith	A47J 19/005
D730,149 S *	5/2015	Smith	D8/323	2012/0228417 A1 *	9/2012	Connelly	A47J 19/04
							241/201

* cited by examiner

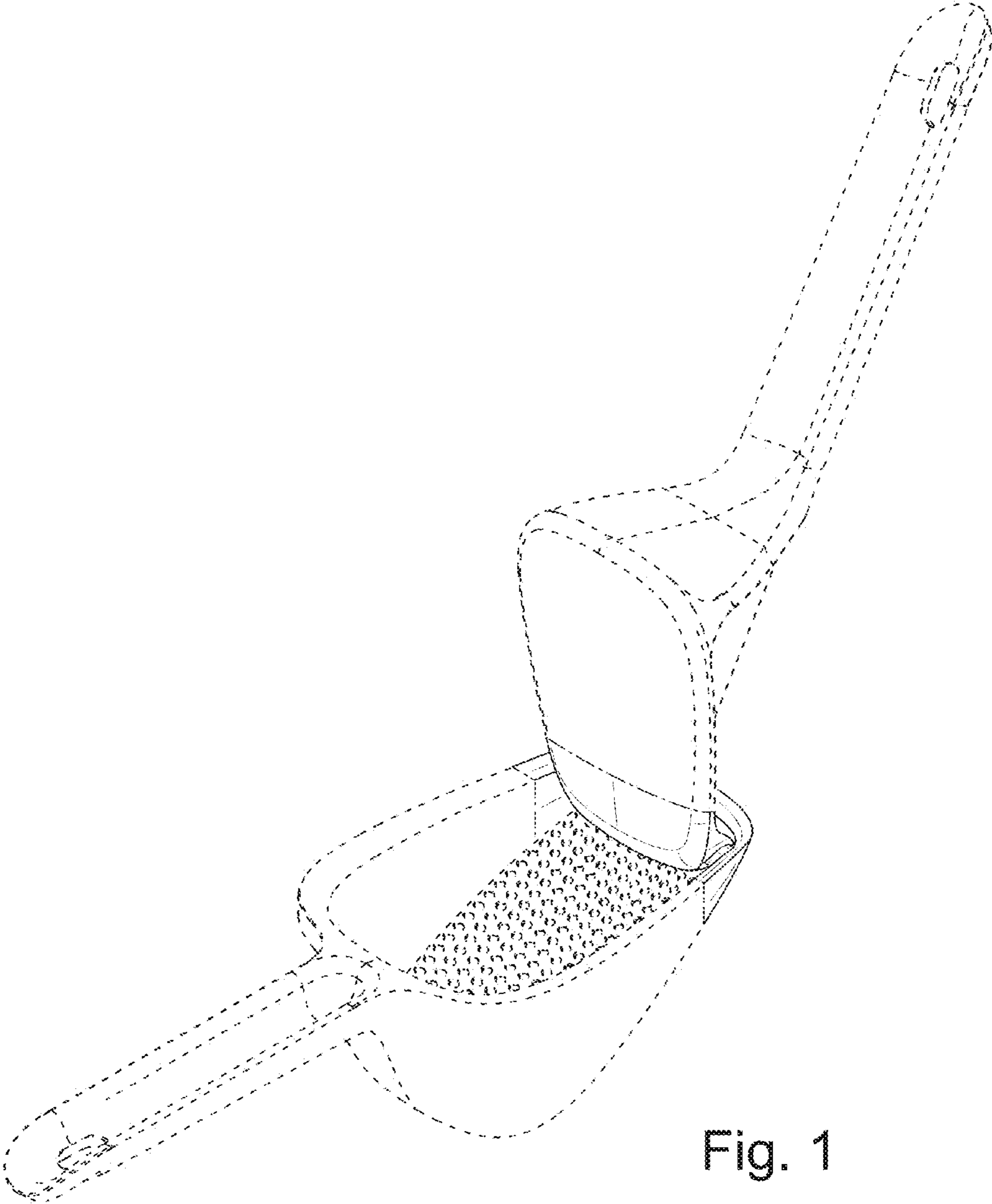


Fig. 1

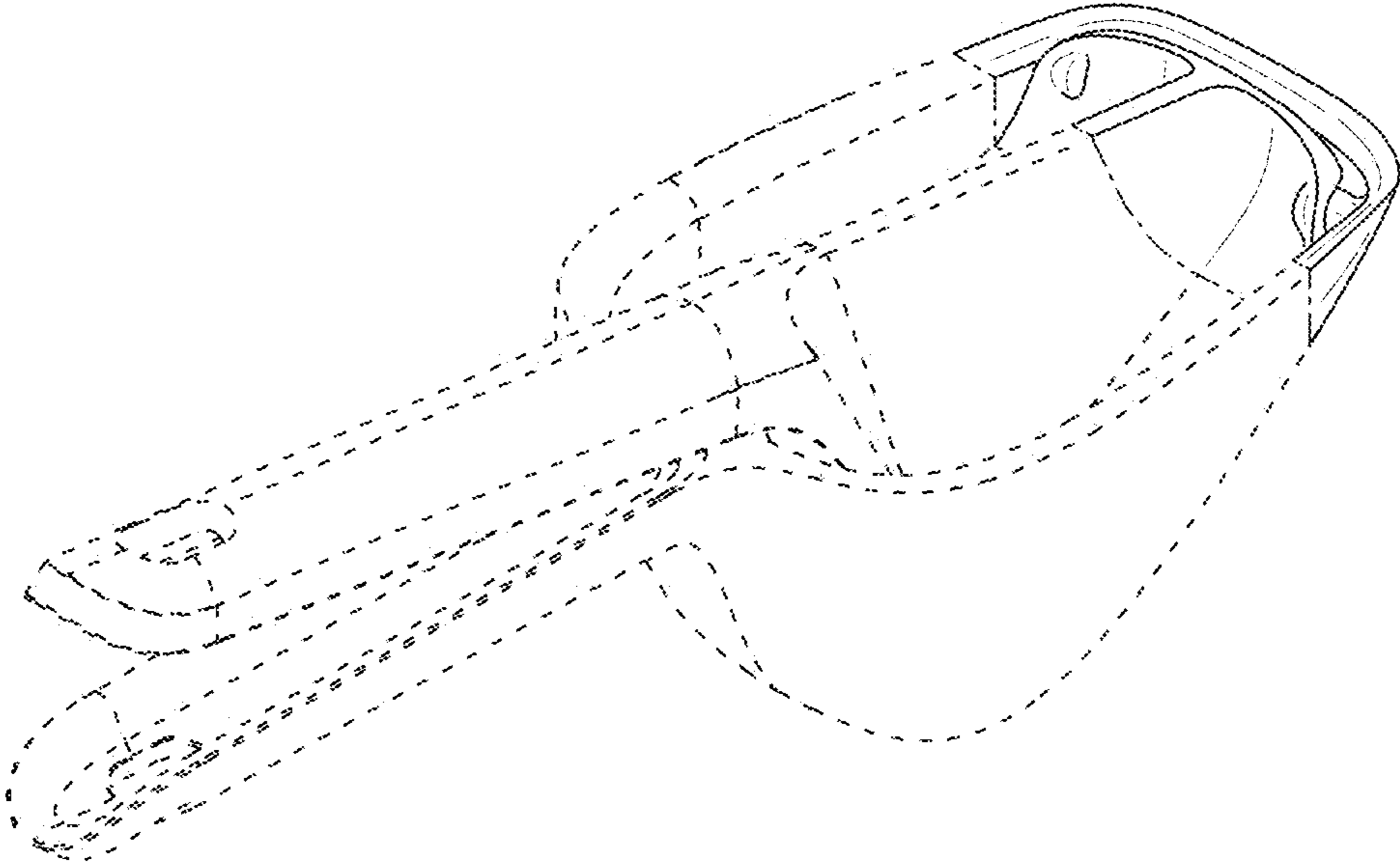


Fig. 2

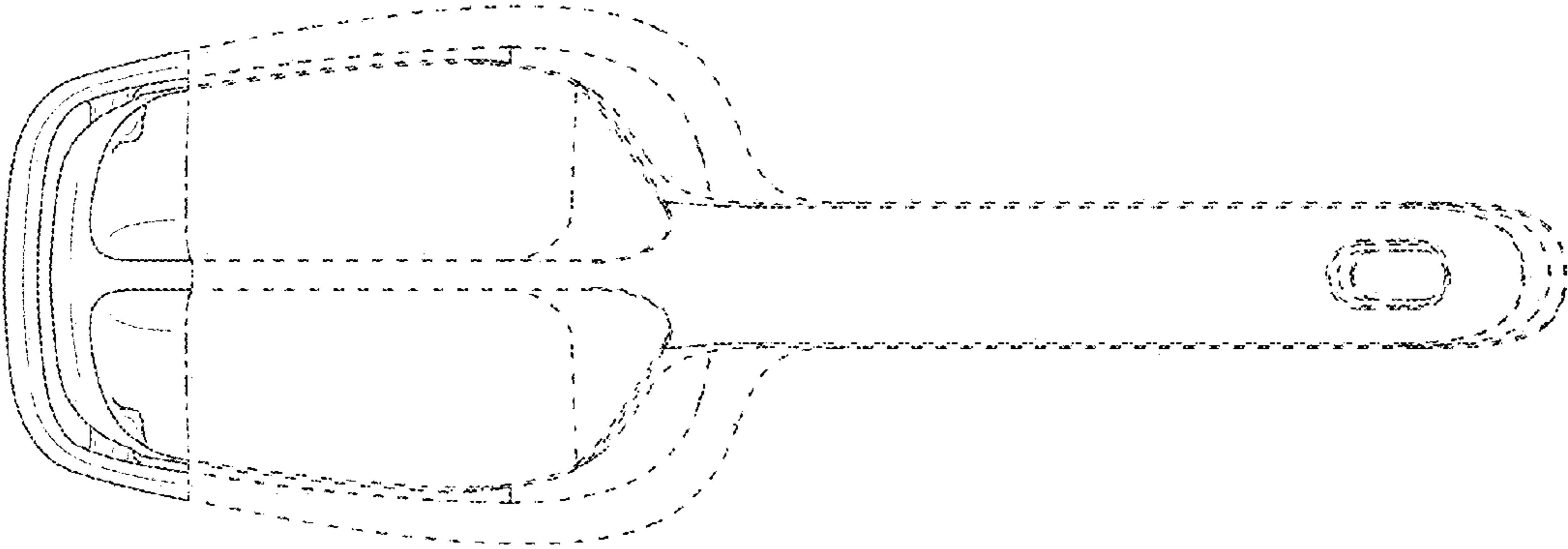


Fig. 3

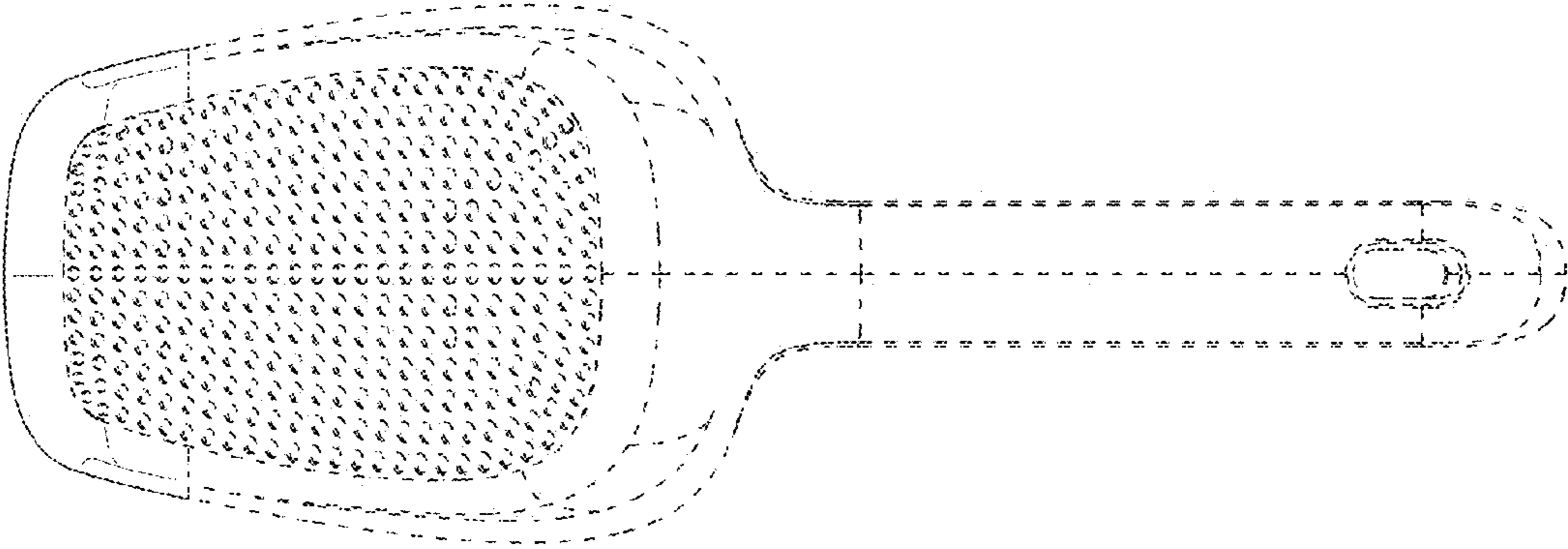


Fig. 4

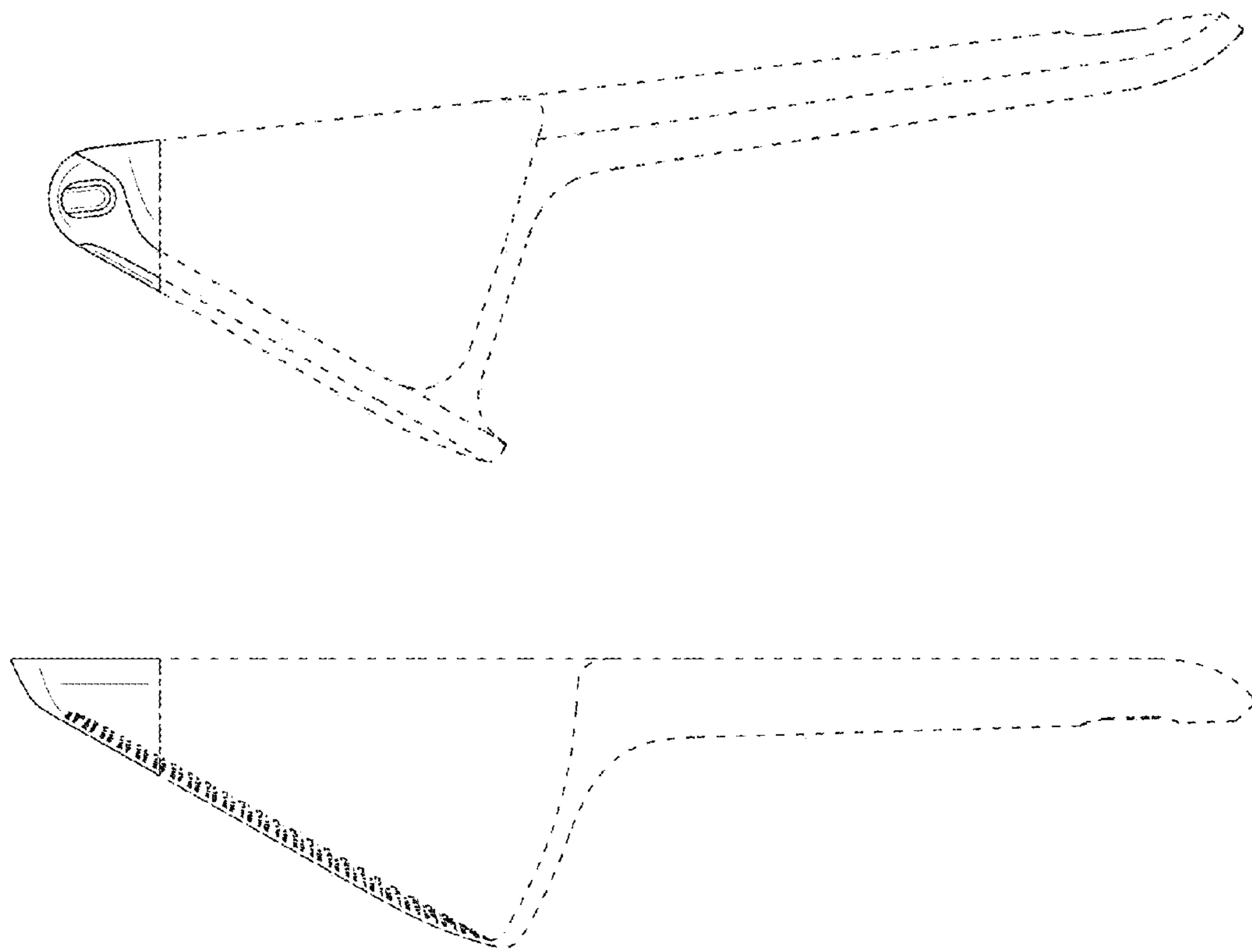


Fig. 5

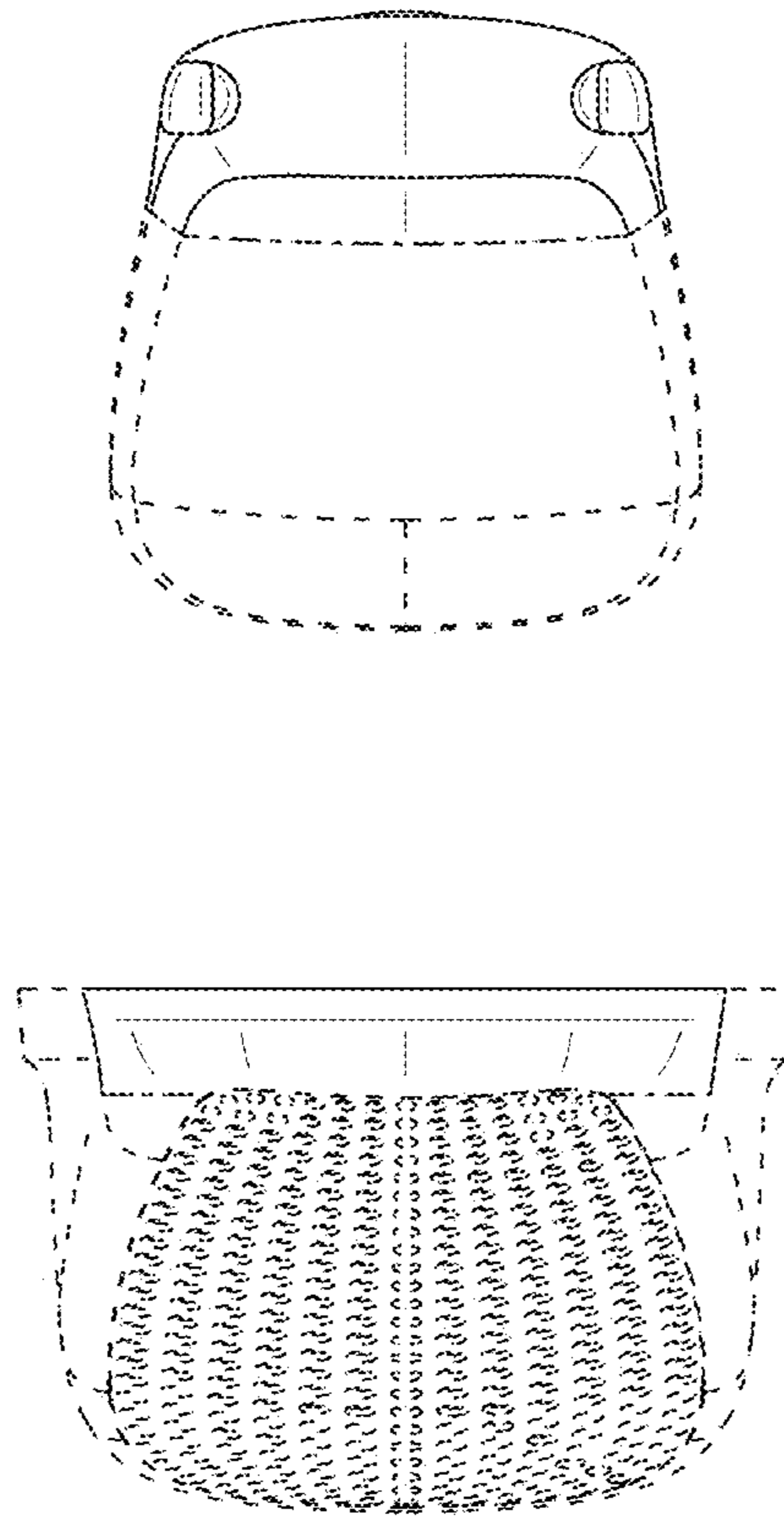


Fig. 6

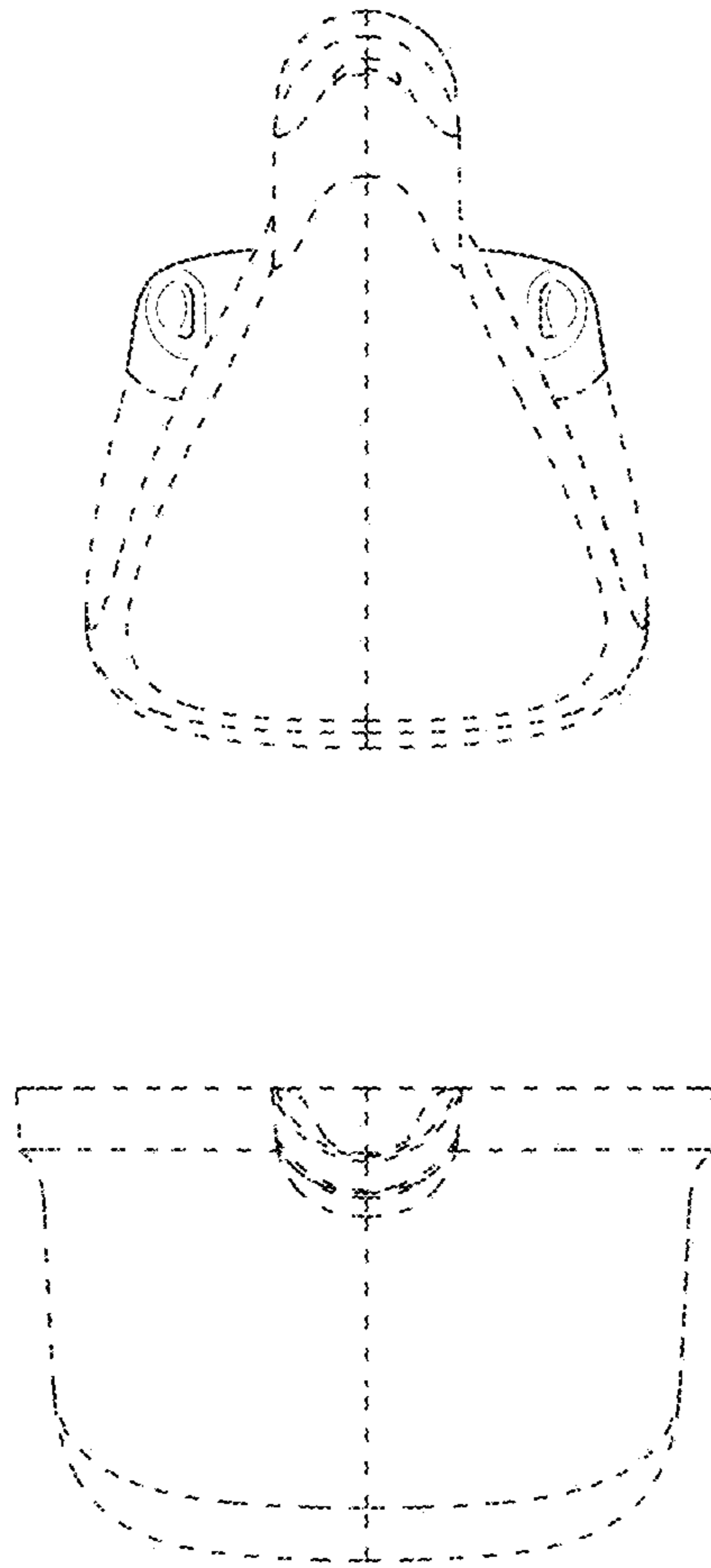


Fig. 7

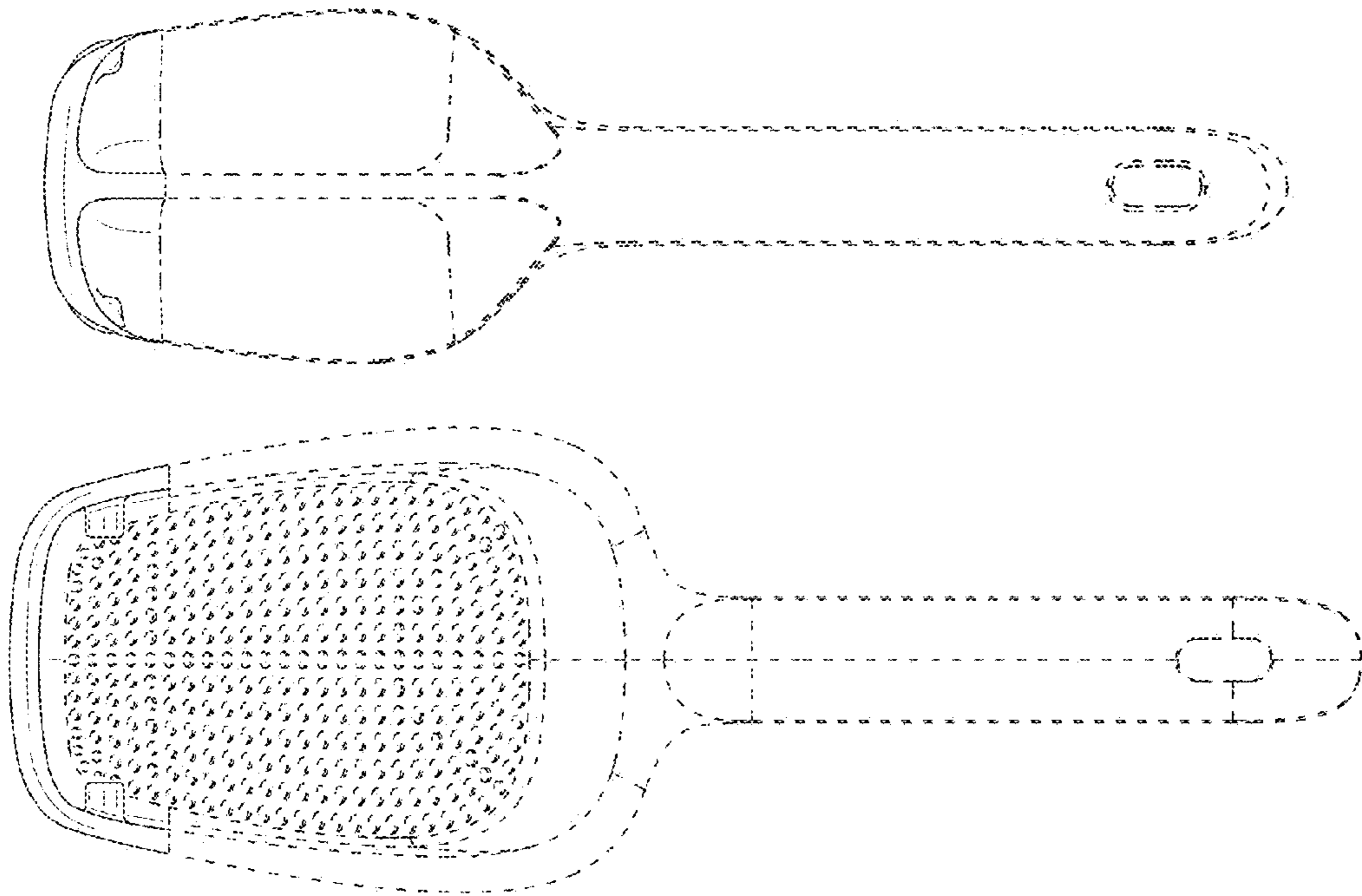


Fig. 8