



US00D753441S

(12) **United States Design Patent**
Varano

(10) **Patent No.:** **US D753,441 S**
(45) **Date of Patent:** **** Apr. 12, 2016**

(54) **CUP WITH FUNCTIONAL APERTURE**

(71) Applicant: **Salvatore Varano**, Syracuse (IT)

(72) Inventor: **Salvatore Varano**, Syracuse (IT)

(**) Term: **14 Years**

(21) Appl. No.: **29/512,329**

(22) Filed: **Dec. 18, 2014**

(30) **Foreign Application Priority Data**

Jun. 19, 2014 (IT) SR2014O0002

(51) **LOC (10) Cl.** **07-01**

(52) **U.S. Cl.**
USPC **D7/507; D7/513; D7/555**

(58) **Field of Classification Search**
USPC D7/523, 532, 507, 509, 514, 515, 524,
D7/537, 555, 513, 516, 519, 533, 535, 536,
D7/549, 553.6, 571, 557, 553.2, 585, 541,
D7/546, 553.8, 556; 220/713, 703, 592.16;
D11/154; D30/129, 102
CPC . A47G 19/2205; A47G 19/2211; A47J 39/00;
A47J 47/18; B65D 7/46
See application file for complete search history.

(56) **References Cited**

U.S. PATENT DOCUMENTS

- 1,276,018 A * 8/1918 Blaetus A47G 19/06
215/DIG. 5
- 2,170,311 A * 8/1939 Smith A47G 19/02
220/501
- 2,295,860 A * 9/1942 Oliver A47G 19/065
294/172
- 3,261,494 A * 7/1966 Walker, Jr. A47G 19/2205
215/6
- D232,203 S * 7/1974 Montgomery D7/555

- D283,386 S * 4/1986 Mansueto D7/513
- D295,009 S * 4/1988 Mansueto D7/513
- 4,744,597 A * 5/1988 Bauman A47G 19/06
206/217
- D389,700 S * 1/1998 Bingham D7/507
- D434,945 S * 12/2000 Godwin D7/546
- 6,471,085 B1 * 10/2002 Gallo A47G 19/2272
206/459.5
- D539,091 S * 3/2007 Mansfield D7/509
- D547,120 S * 7/2007 Brenner D7/396.3
- D613,124 S * 4/2010 Osborne D7/555
- D633,340 S * 3/2011 Roberts D7/549
- D652,683 S * 1/2012 Munoz D7/555
- D701,430 S * 3/2014 Hohnstein D7/553.8
- D718,092 S * 11/2014 Lion D7/555

* cited by examiner

Primary Examiner — Marianne Pandozzi

(74) *Attorney, Agent, or Firm* — Young & Thompson

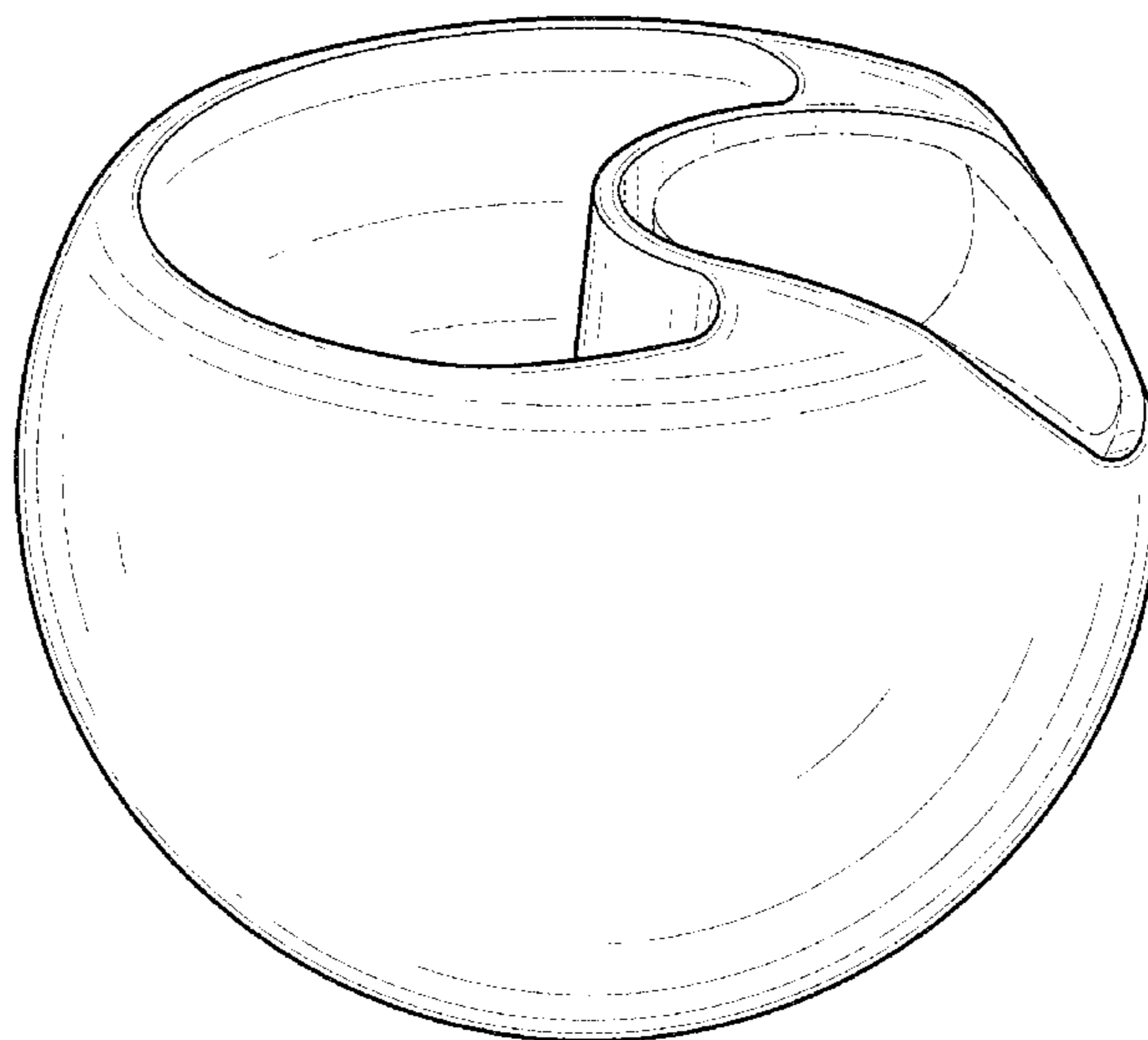
(57) **CLAIM**

The ornamental design for a cup with functional aperture, as shown and described.

DESCRIPTION

FIG. 1 is a front, top perspective view of a cup with functional aperture showing the new design;
 FIG. 2 is a front elevation view thereof;
 FIG. 3 is a left side elevation view thereof;
 FIG. 4 is a rear elevation view thereof;
 FIG. 5 is a right side elevation view thereof;
 FIG. 6 is a top plan view thereof;
 FIG. 7 is a bottom plan view thereof;
 FIG. 8 is an in use front, top perspective view thereof; and,
 FIG. 9 is a top side perspective view thereof.
 The broken line showing of a can in FIG. 8 and a cooling insert in FIG. 9 are included for the purpose of illustration and form no part of the claimed design.

1 Claim, 9 Drawing Sheets



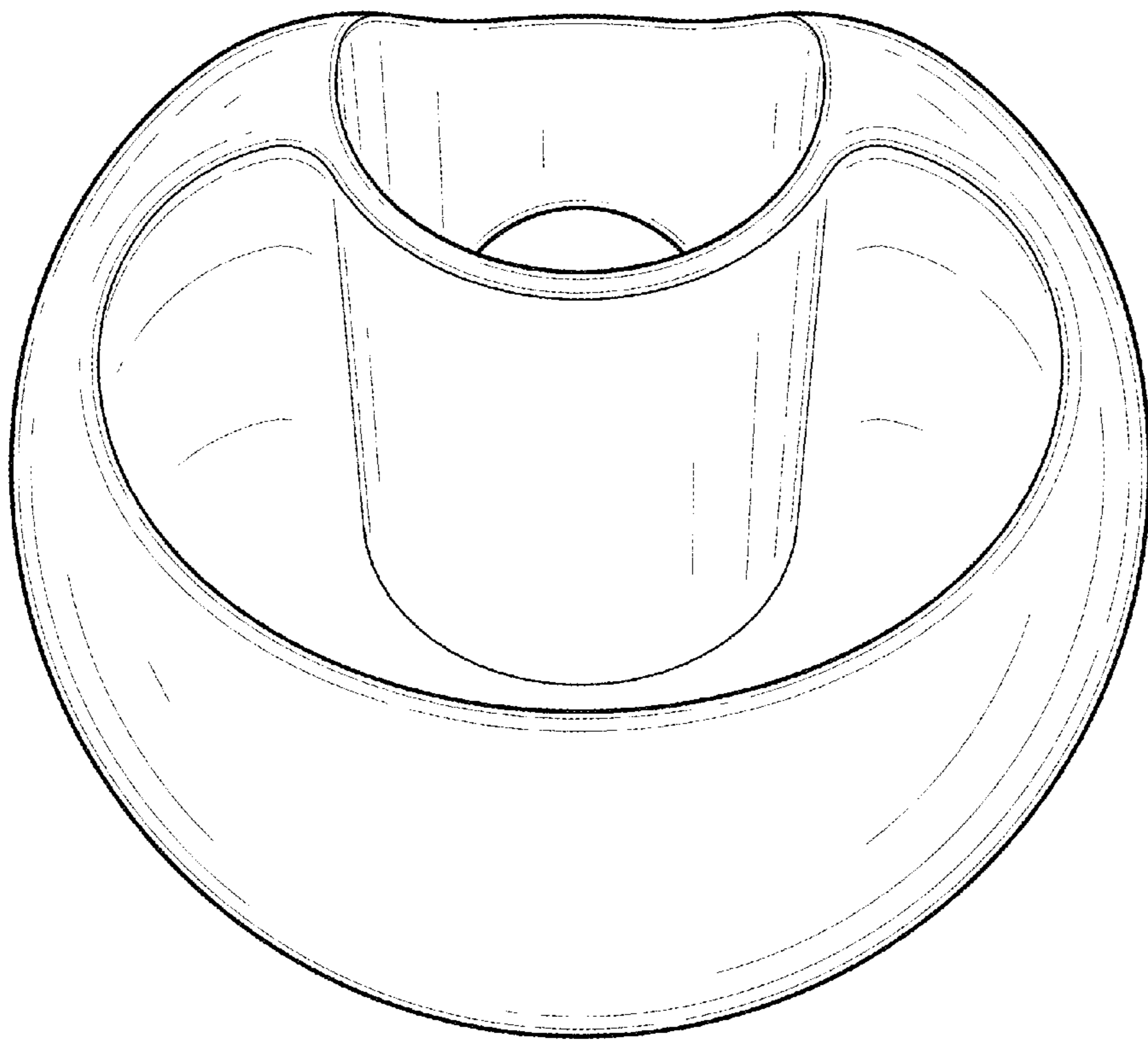


FIG.1

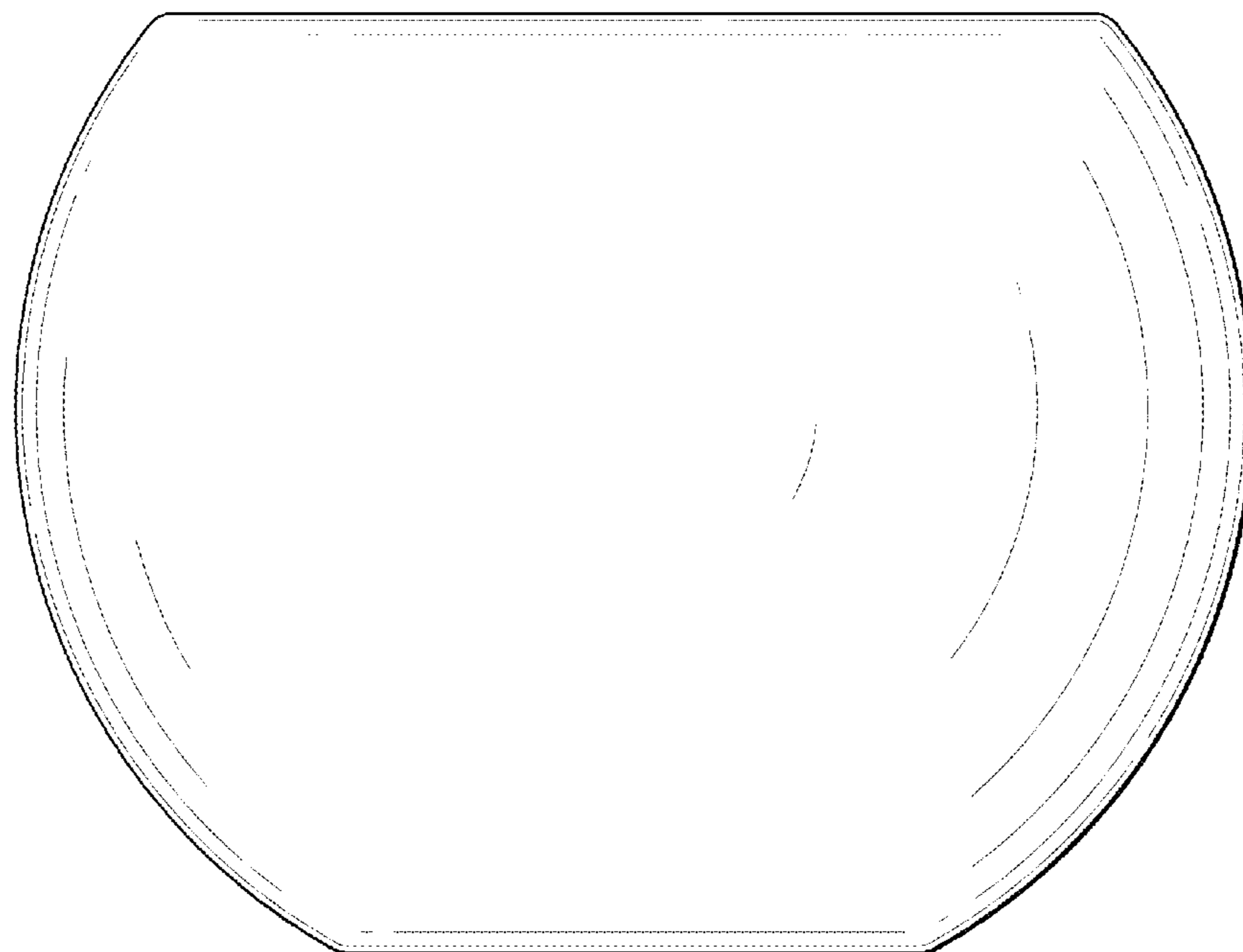


FIG.2

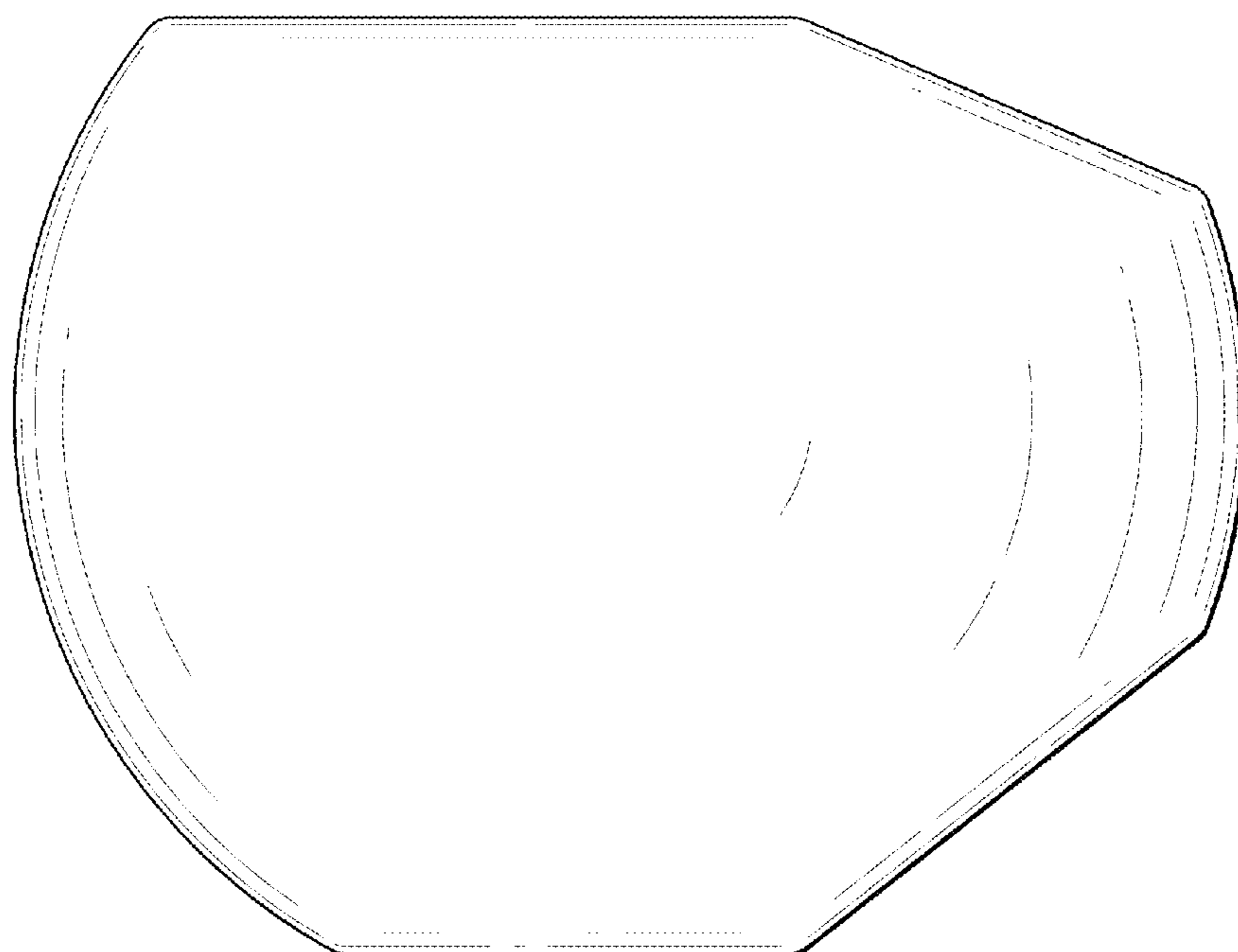


FIG.3

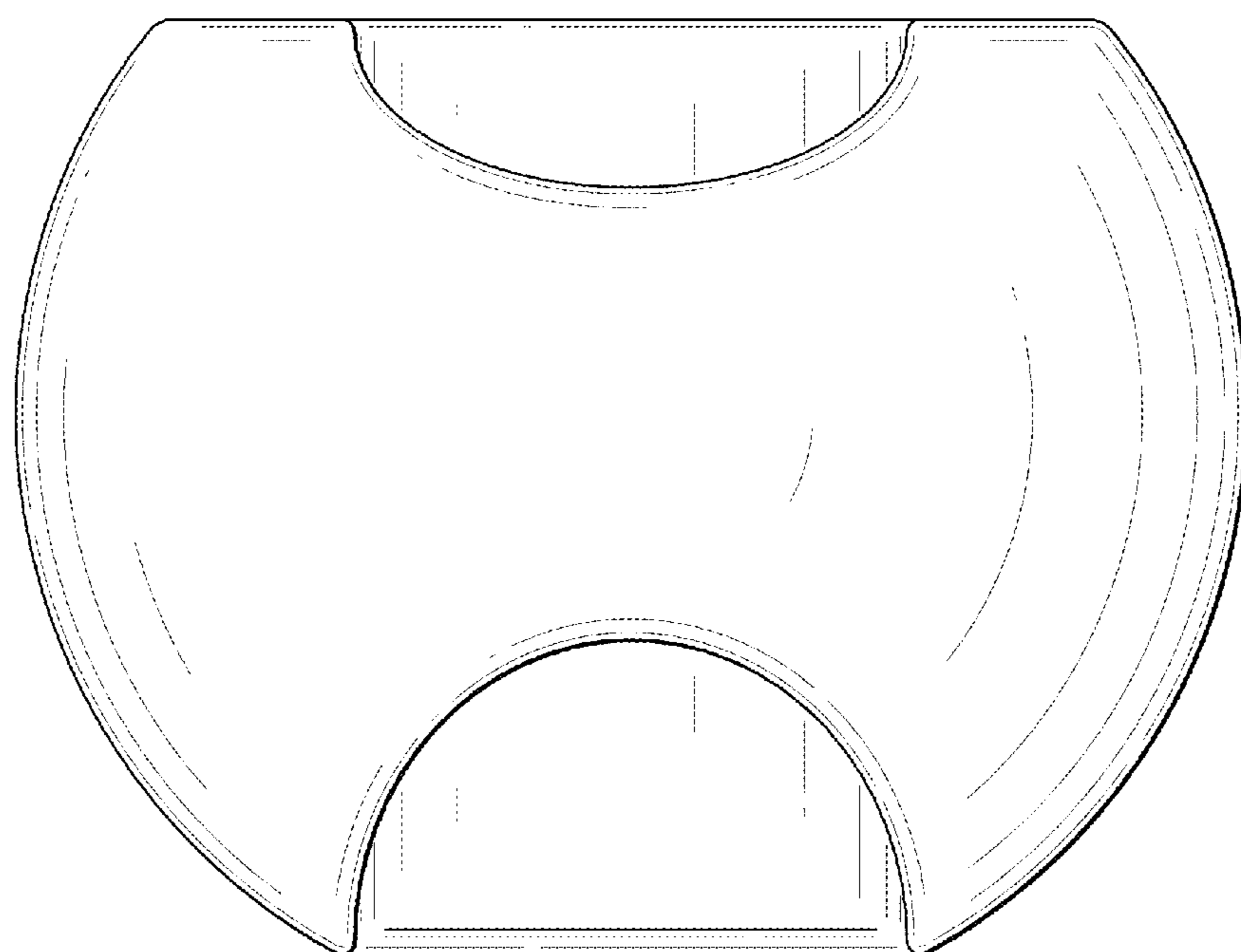


FIG.4

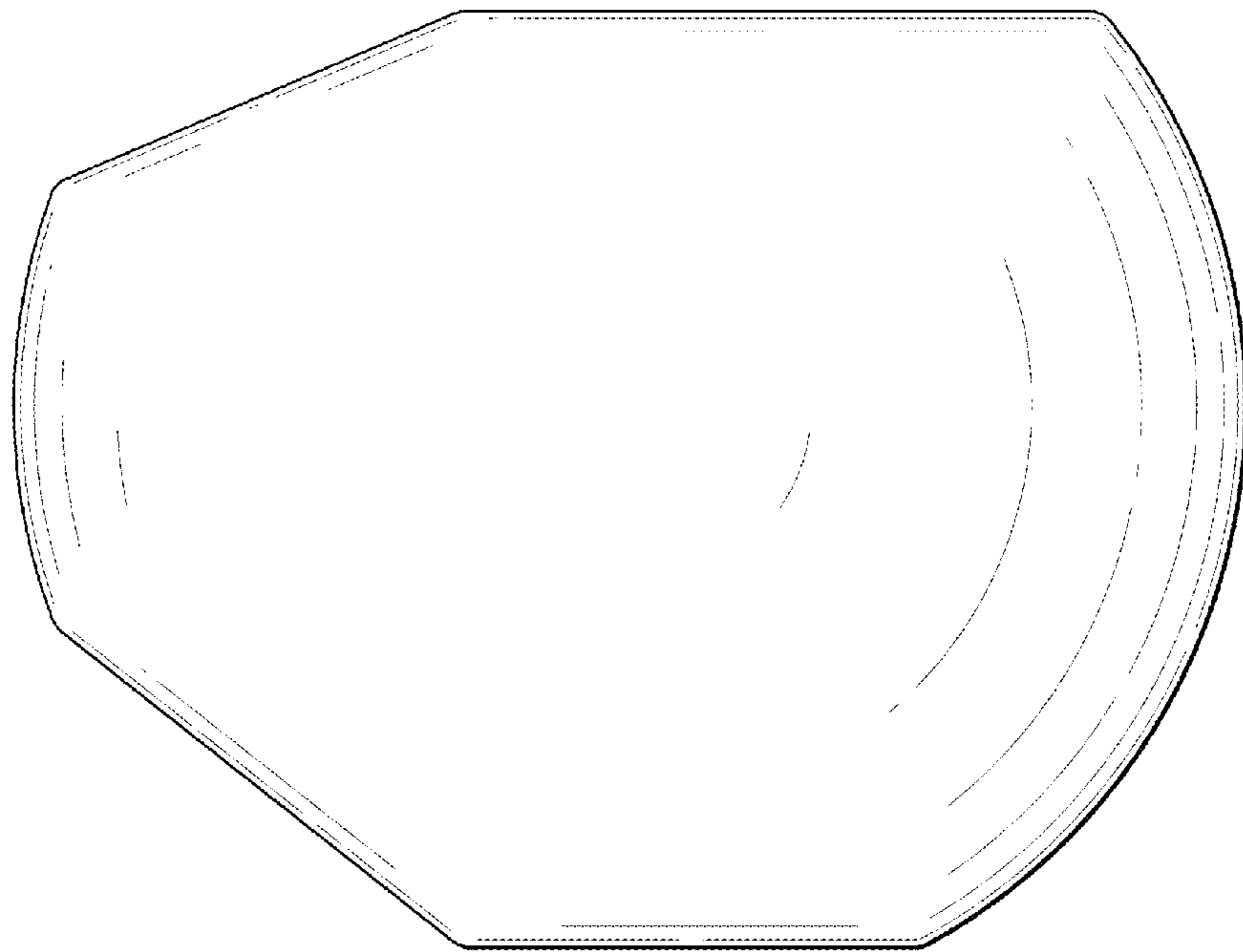


FIG.5

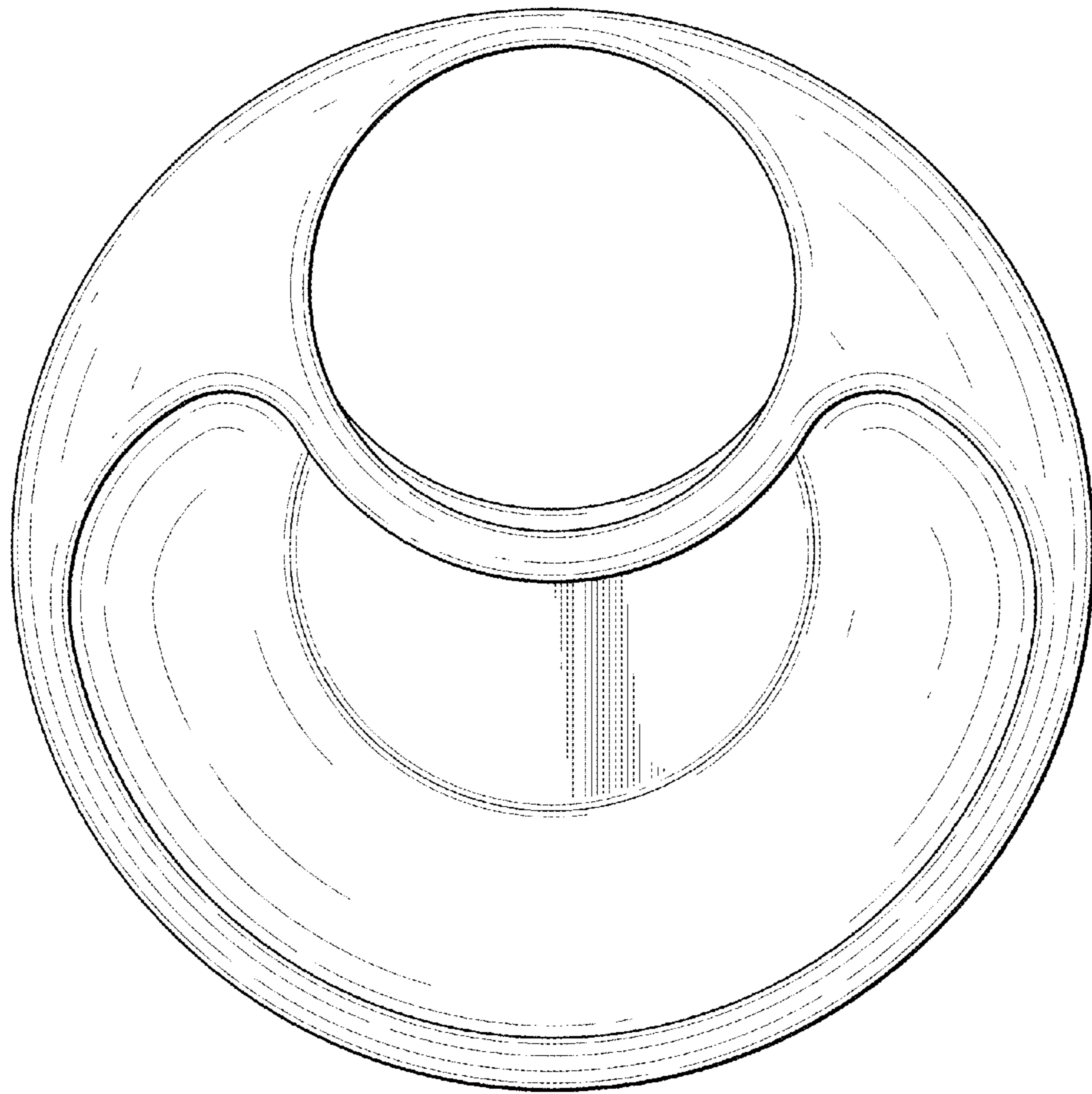


FIG.6

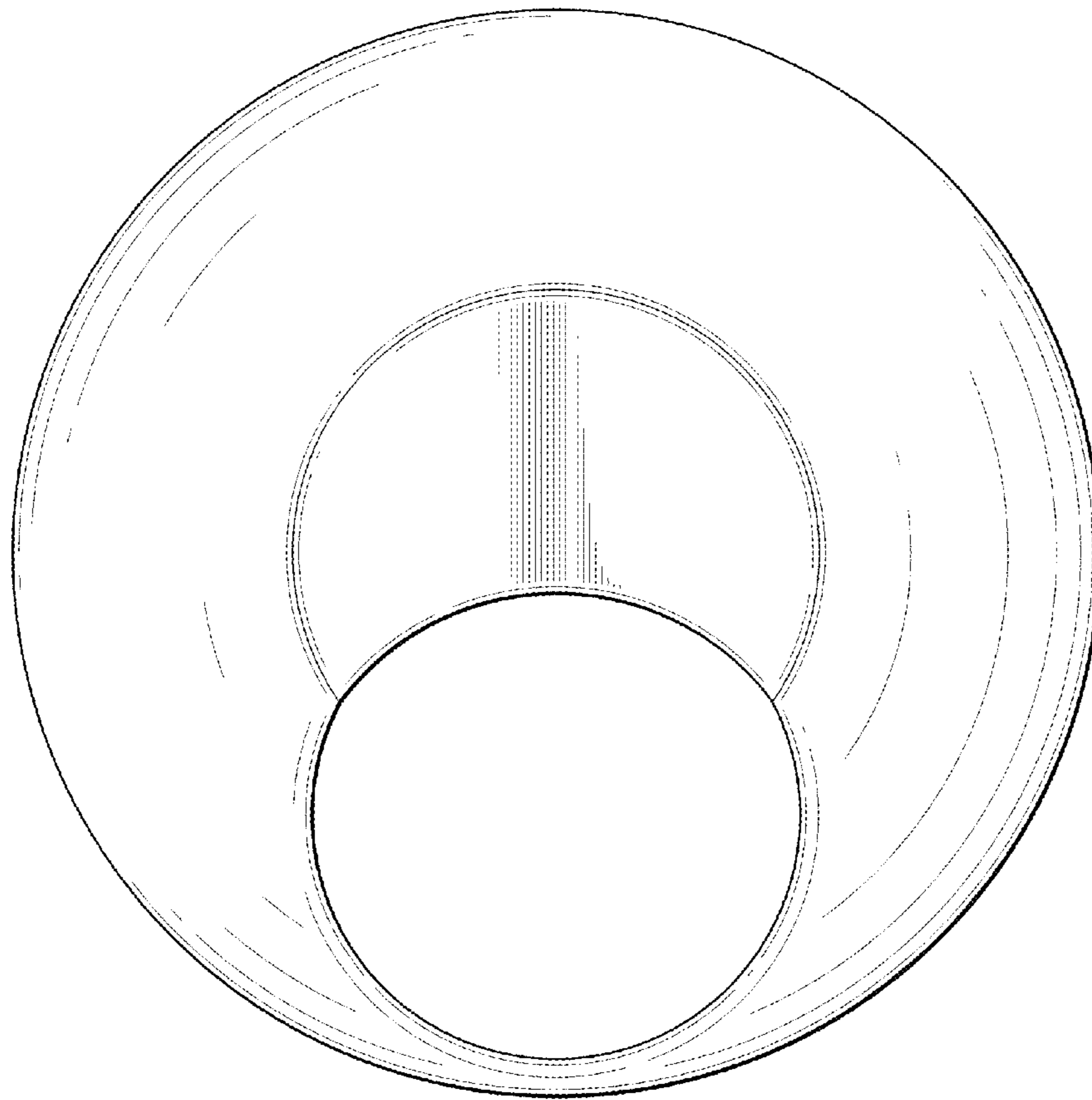


FIG.7

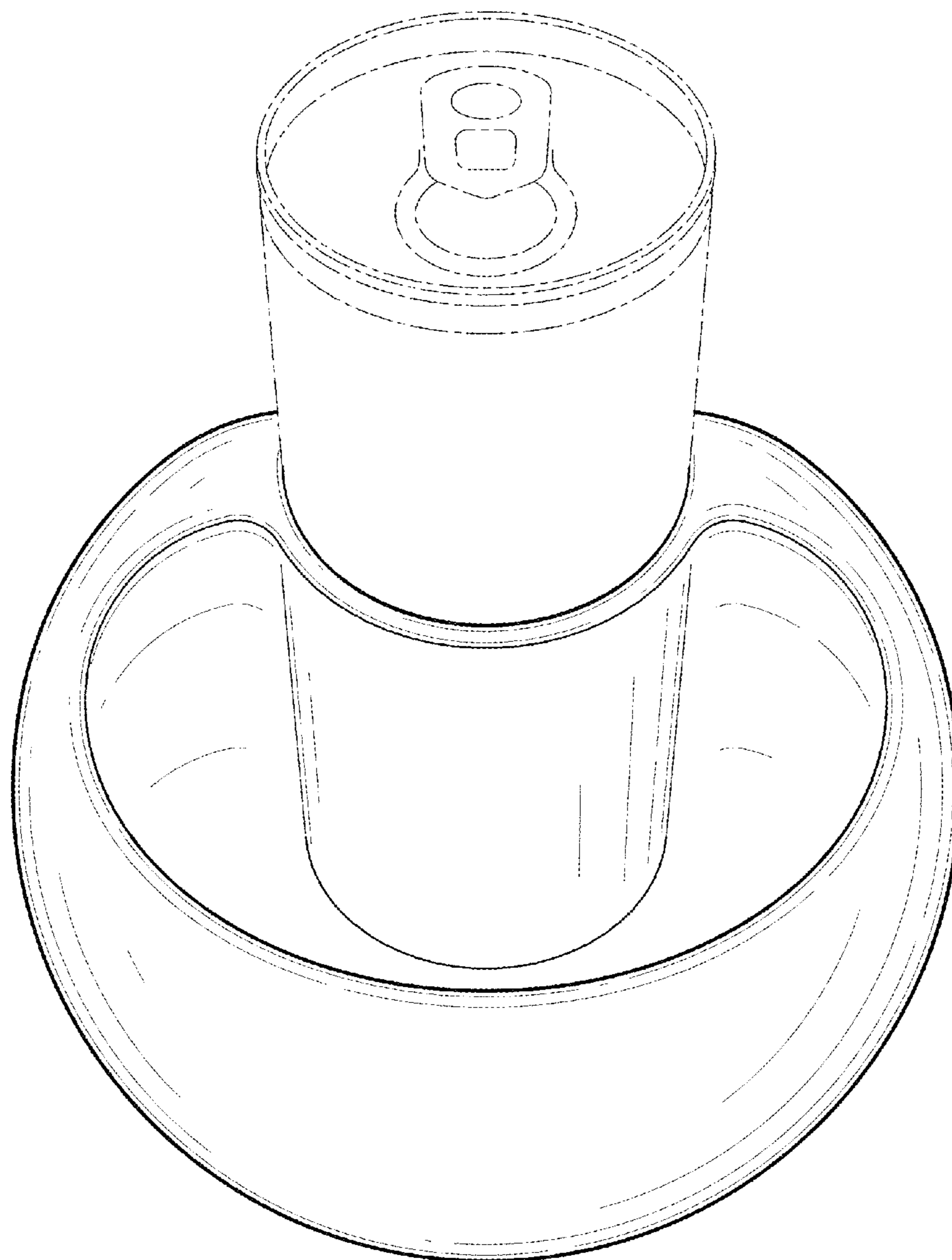


FIG.8

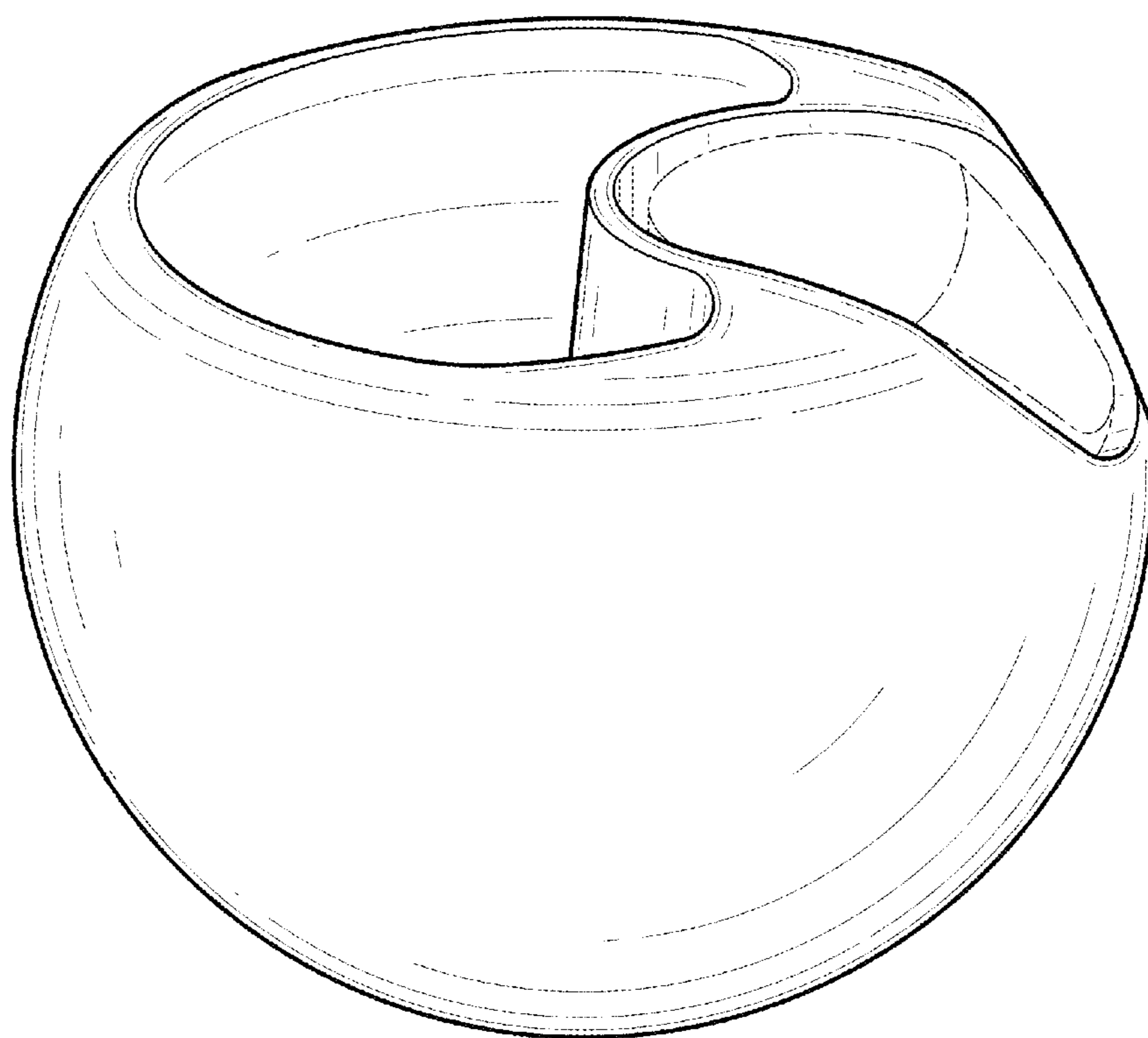


FIG.9