



US00D753440S

(12) **United States Design Patent**
Esquivel

(10) **Patent No.:** **US D753,440 S**
(45) **Date of Patent:** **** Apr. 12, 2016**

- (54) **TACO HOLDER**
- (71) Applicant: **John Carlos Esquivel**, San Pedro, CA (US)
- (72) Inventor: **John Carlos Esquivel**, San Pedro, CA (US)
- (**) Term: **14 Years**
- (21) Appl. No.: **29/495,097**
- (22) Filed: **Jun. 26, 2014**
- (51) **LOC (10) Cl.** **07-01**
- (52) **U.S. Cl.**
USPC **D7/504**
- (58) **Field of Classification Search**
USPC D7/504, 601, 637-641; D9/455, 433, D9/761
CPC A47G 19/30; A47G 21/001; A47F 7/0028
See application file for complete search history.

- 5,005,704 A * 4/1991 Martin A47G 19/30 206/564
- 5,476,215 A * 12/1995 Baroud A47G 21/001 229/101
- 5,971,168 A * 10/1999 Proulx A47G 19/30 211/73
- 6,273,278 B1 * 8/2001 Enyedy A47F 7/0028 211/73
- 7,097,039 B2 * 8/2006 Muis A47G 19/30 206/564
- 2012/0085769 A1 * 4/2012 Millet A47G 21/001 220/574

* cited by examiner

Primary Examiner — Terry Wallace

(74) *Attorney, Agent, or Firm* — Michael N. Cohen; Cohen IP Law Group P.C.

(57) **CLAIM**

I claim the ornamental design for the taco holder, as shown and described.

(56) **References Cited**

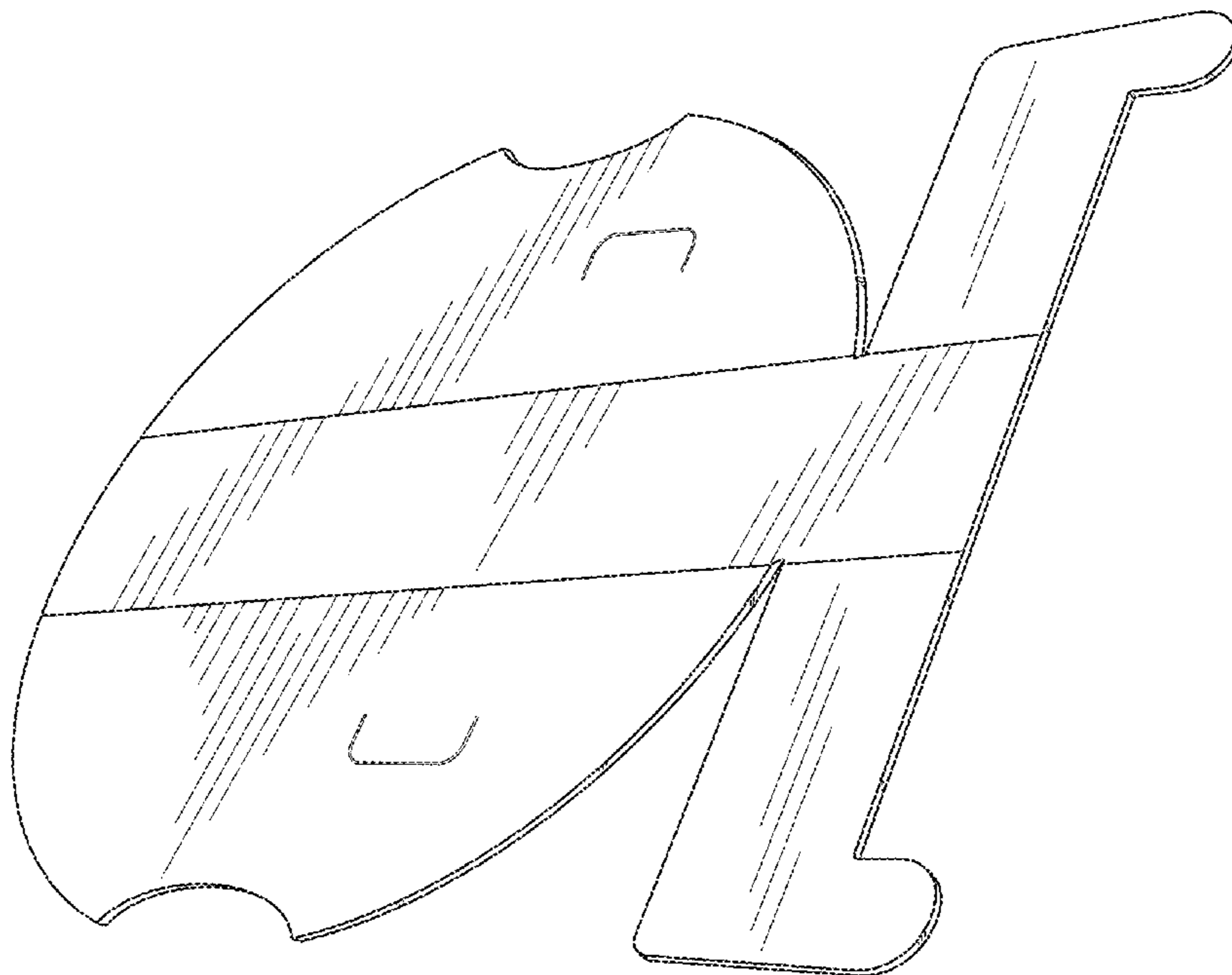
U.S. PATENT DOCUMENTS

- 4,509,674 A * 4/1985 Levick A47G 19/30 206/515
- 4,589,619 A * 5/1986 Forbes, Jr. A47G 19/30 229/938
- 4,671,404 A * 6/1987 Wall A47G 21/001 206/45.24
- 4,896,820 A * 1/1990 Harrington A47G 19/30 211/73
- 4,925,032 A * 5/1990 Liles A47G 19/30 206/564

DESCRIPTION

- FIG. 1: Top-Side Perspective View;
- FIG. 2: Bottom-Side Perspective View of FIG. 1;
- FIG. 3: Top View of FIG. 1;
- FIG. 4: Bottom View of FIG. 1;
- FIG. 5: Front View of FIG. 1;
- FIG. 6: Rear View of FIG. 1;
- FIG. 7: Left Side View of FIG. 1; and,
- FIG. 8: Right Side View of FIG. 1.

1 Claim, 5 Drawing Sheets



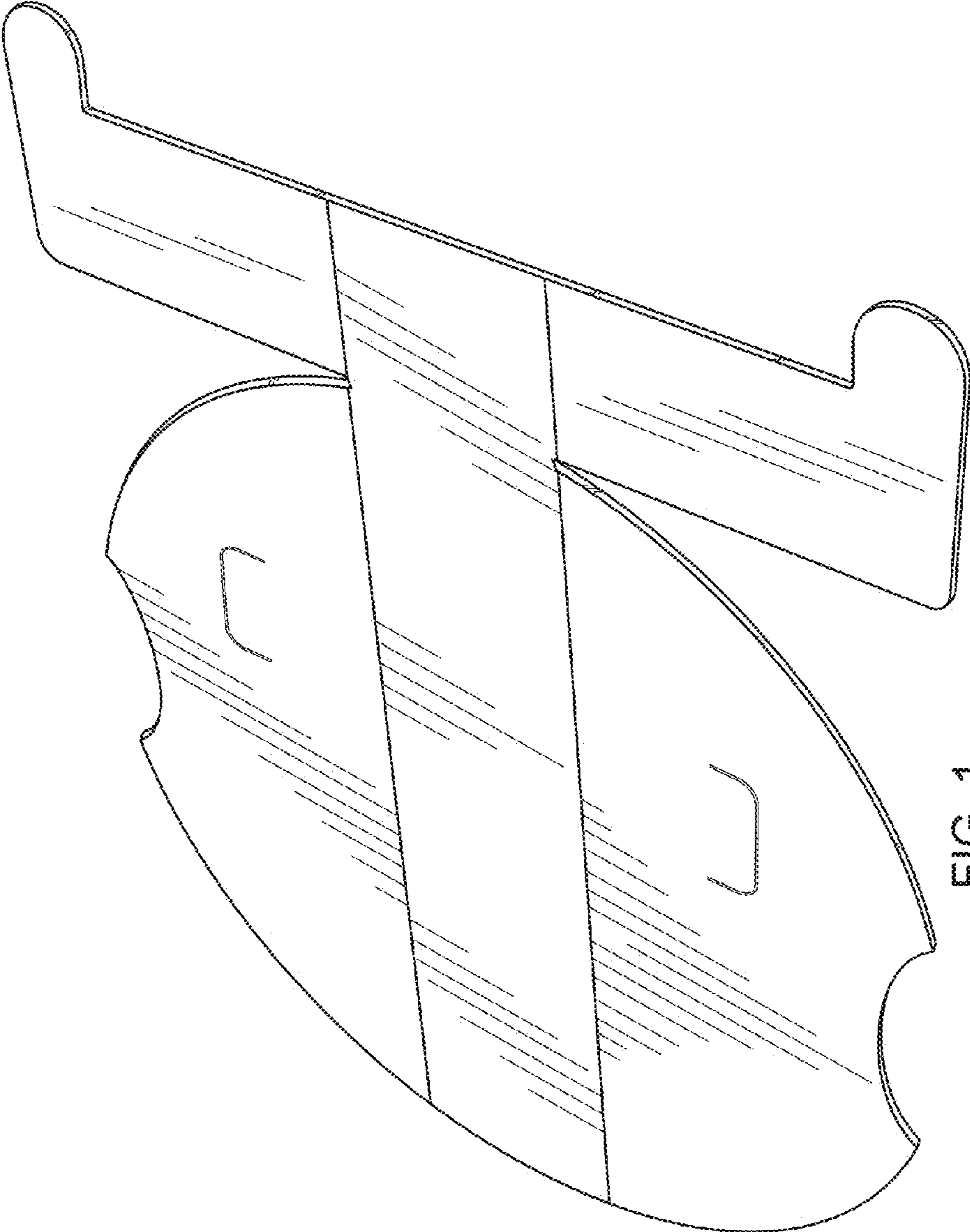


FIG. 1

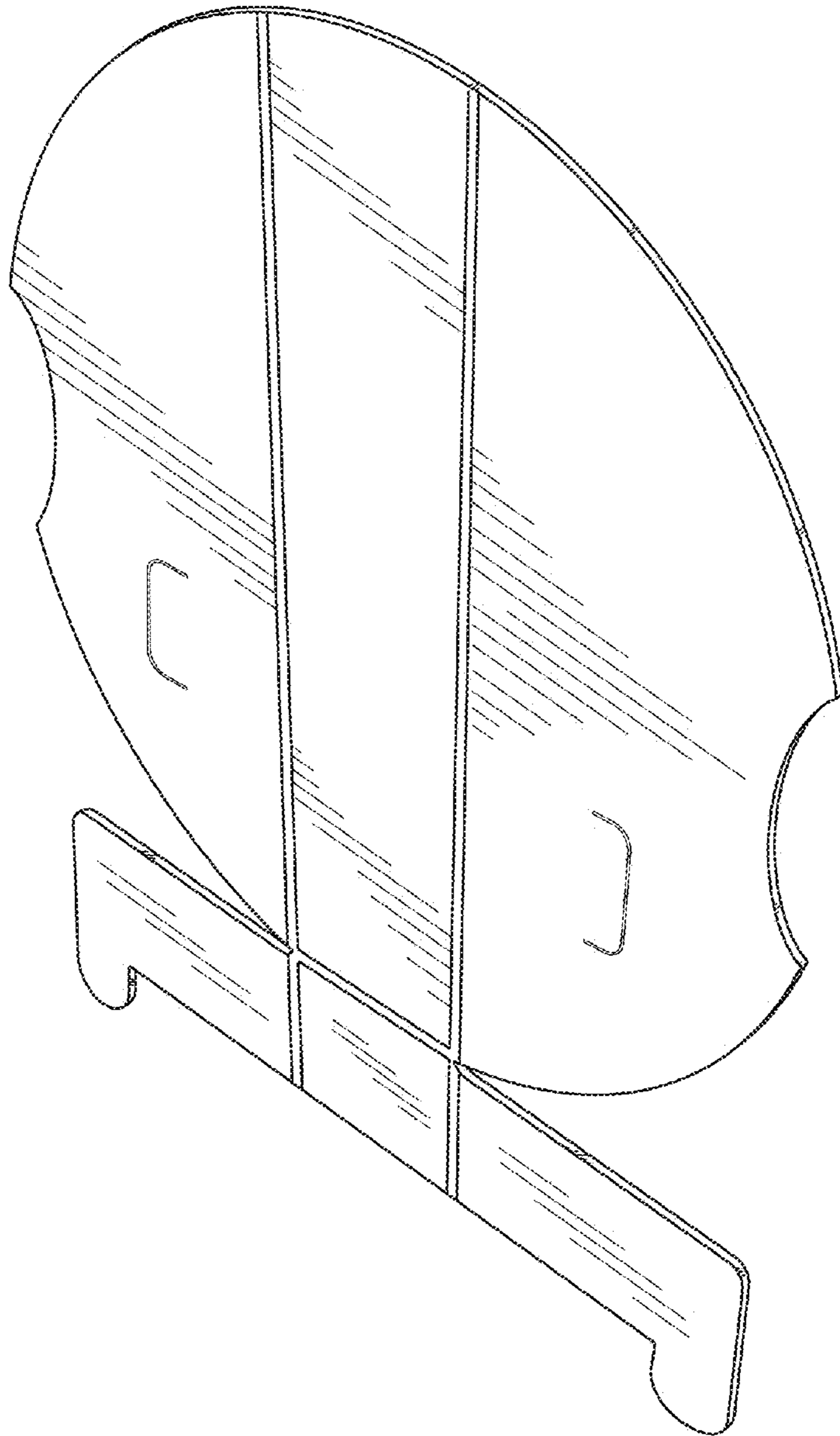


FIG. 2

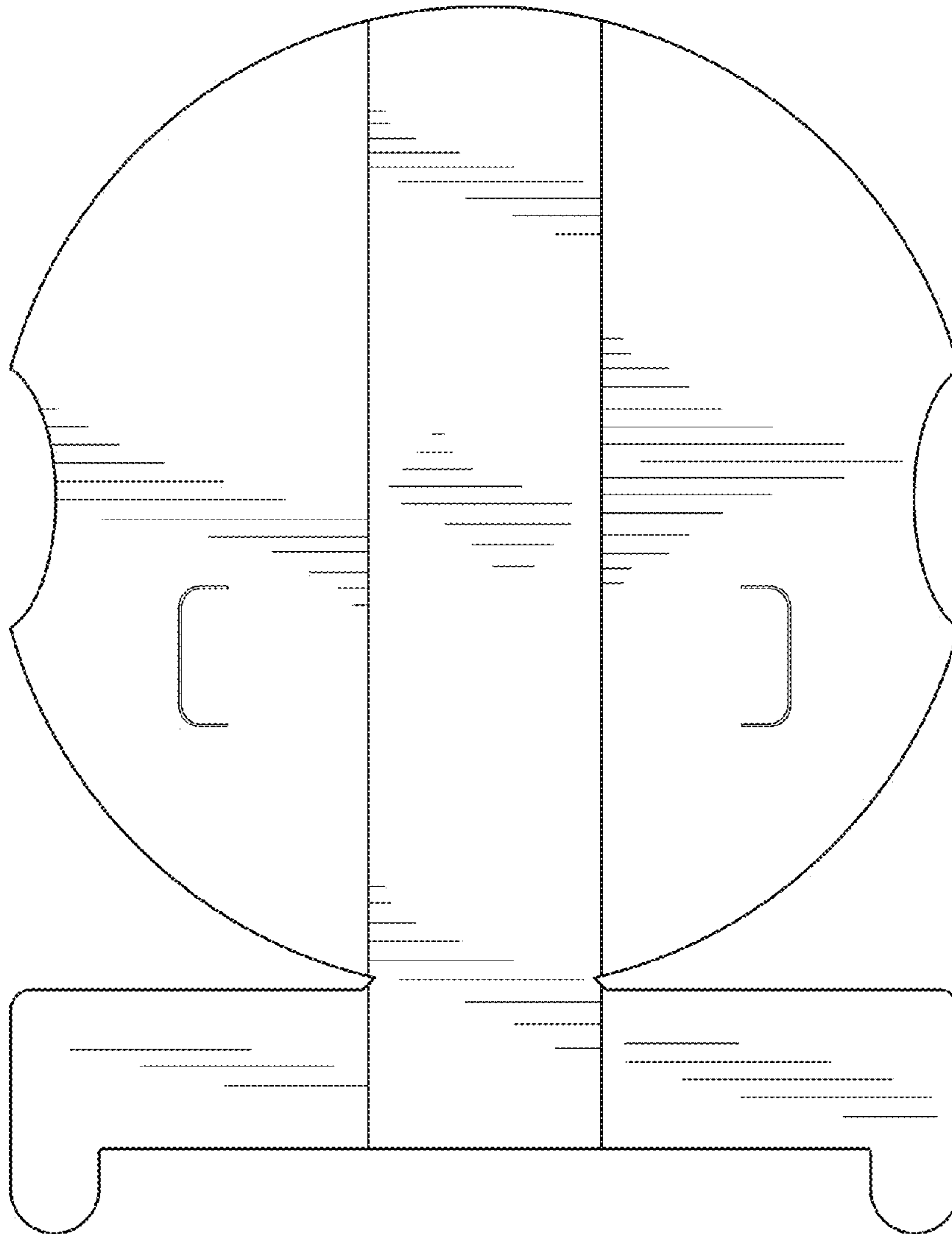


FIG. 3

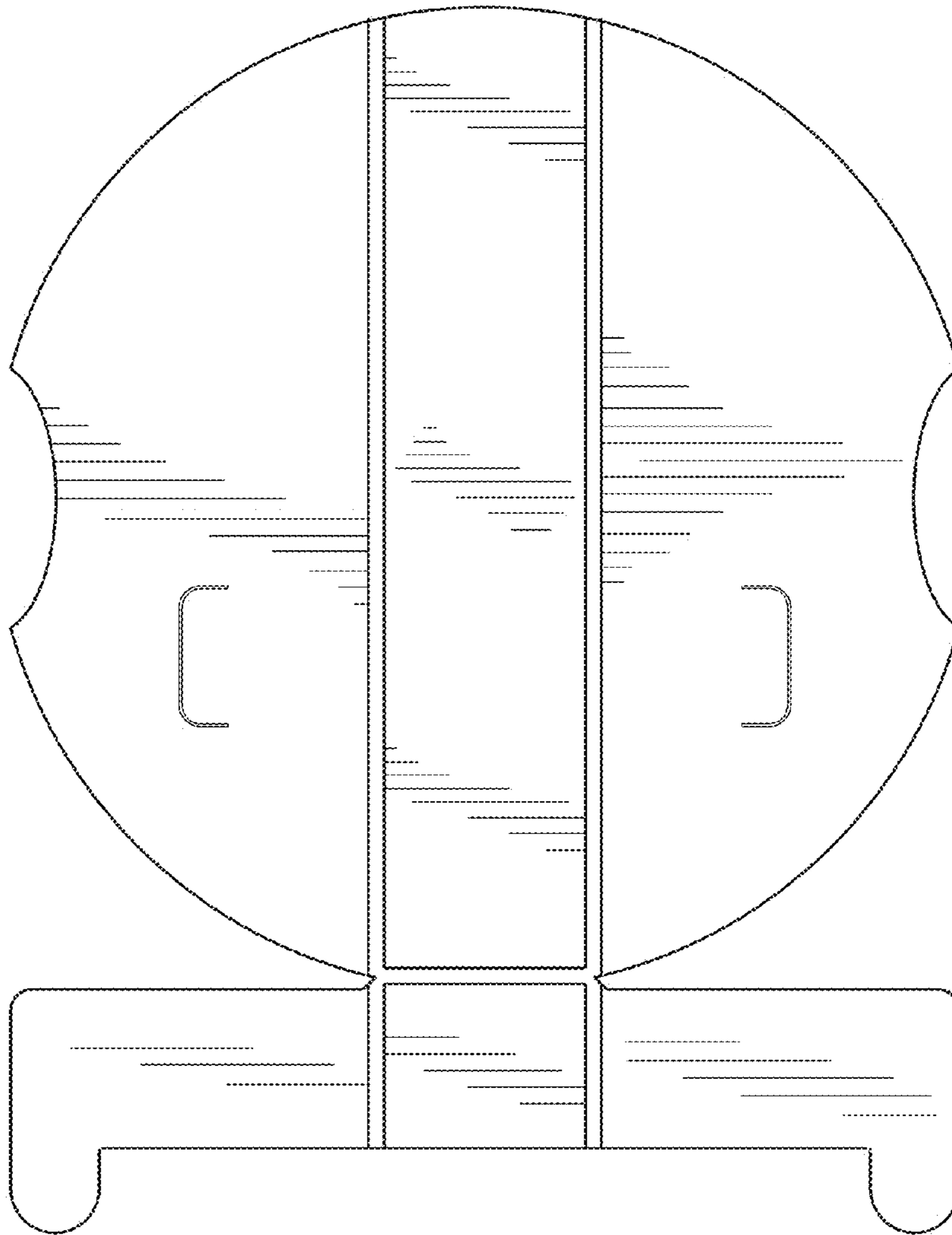


FIG. 4

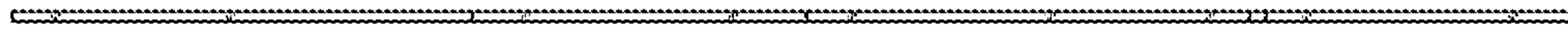


FIG. 5

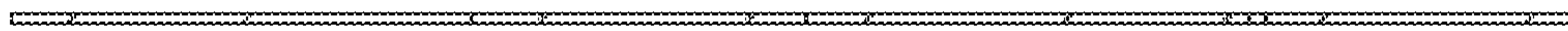


FIG. 6



FIG. 7

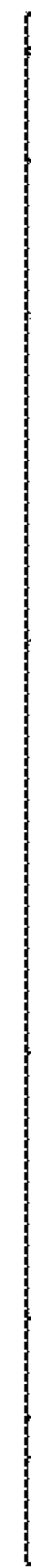


FIG. 8