



US00D753438S

(12) **United States Design Patent**
Wagner

(10) **Patent No.:** **US D753,438 S**
(45) **Date of Patent:** **** Apr. 12, 2016**

- (54) **OUTDOOR COOKER BODY**
- (71) Applicant: **W.C. Bradley Co.**, Columbus, GA (US)
- (72) Inventor: **Wesley J. Wagner**, Columbus, GA (US)
- (73) Assignee: **W.C. Bradley Co.**, Columbus, GA (US)
- (**) Term: **14 Years**

- (21) Appl. No.: **29/494,390**
- (22) Filed: **Jun. 19, 2014**
- (51) **LOC (10) Cl.** **07-02**
- (52) **U.S. Cl.**
USPC **D7/402**
- (58) **Field of Classification Search**
USPC D7/332, 334-337, 402-405, 417, 338,
D7/348; 126/275 E; D9/433
CPC A47J 37/0704; A47J 37/0763; A47J
37/0745; A47J 37/0713; A47J 37/0768;
A47J 37/079; A47J 36/26; A47J 39/00;
F24B 1/205; F24B 1/02; F24B 15/04; F24C
3/14; F24C 3/027; F24C 15/08; F47J 33/00;
B65D 7/26; B65D 7/24; B65D 85/1045;
B65D 85/18; A23B 4/052
See application file for complete search history.

(56) **References Cited**
U.S. PATENT DOCUMENTS

4,453,530	A	6/1984	Schlosser	
4,498,452	A	2/1985	Schlosser et al.	
4,777,927	A	10/1988	Stephen et al.	
D427,840	S	7/2000	Pai	
D460,657	S *	7/2002	Bossler	D7/334
D471,056	S *	3/2003	Pai	D7/334
D496,821	S *	10/2004	Pai	D7/334
D505,824	S *	6/2005	Nipke	D7/334
D507,926	S *	8/2005	Zhang	D7/334
D507,927	S *	8/2005	Nipke	D7/334
D508,365	S *	8/2005	Nipke	D7/334

D516,366	S *	3/2006	Nipke	D7/334
D525,818	S *	8/2006	Chung	D7/332
D528,847	S *	9/2006	Chung	D7/334
D618,486	S	6/2010	Bruno et al.	
D623,003	S *	9/2010	Chung	D7/334
8,399,810	B2	3/2013	Ahmed	
D717,094	S *	11/2014	Chung	D7/334
D717,095	S *	11/2014	Chung	D7/334
2014/0165993	A1 *	6/2014	Ahmed	A47J 37/0704 126/25 R

OTHER PUBLICATIONS

Weber Smokey Joe grill, believed to be marketed at least prior to Jun. 19, 2014, photo submitted and also viewable at <http://www.weber.com/grills/series/smokey-joe>.
Weber One-Touch grill, believed to be marketed at least prior to Jun. 19, 2014, photo submitted and also viewable at <http://www.weber.com/grills/series/one-touch>.

(Continued)

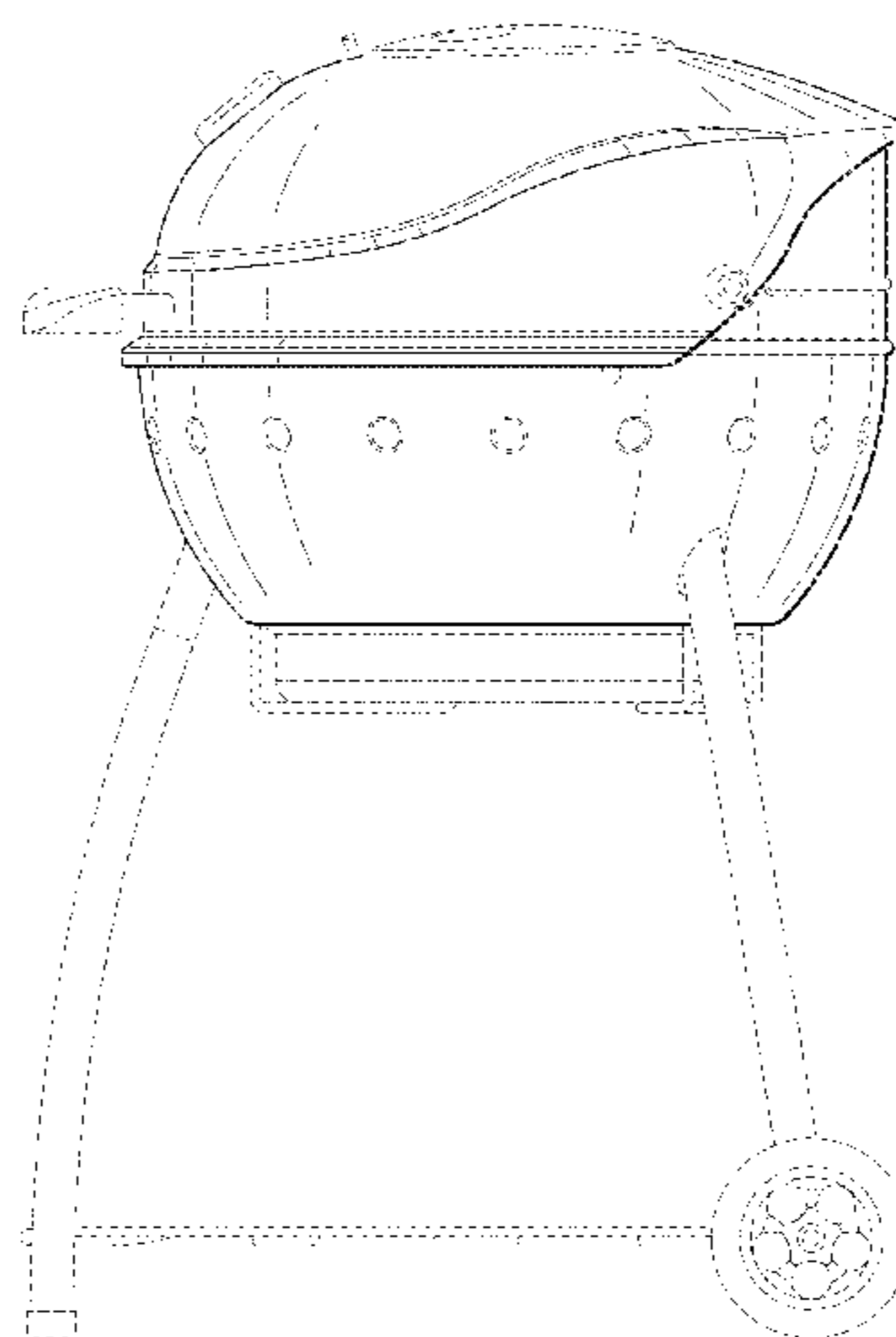
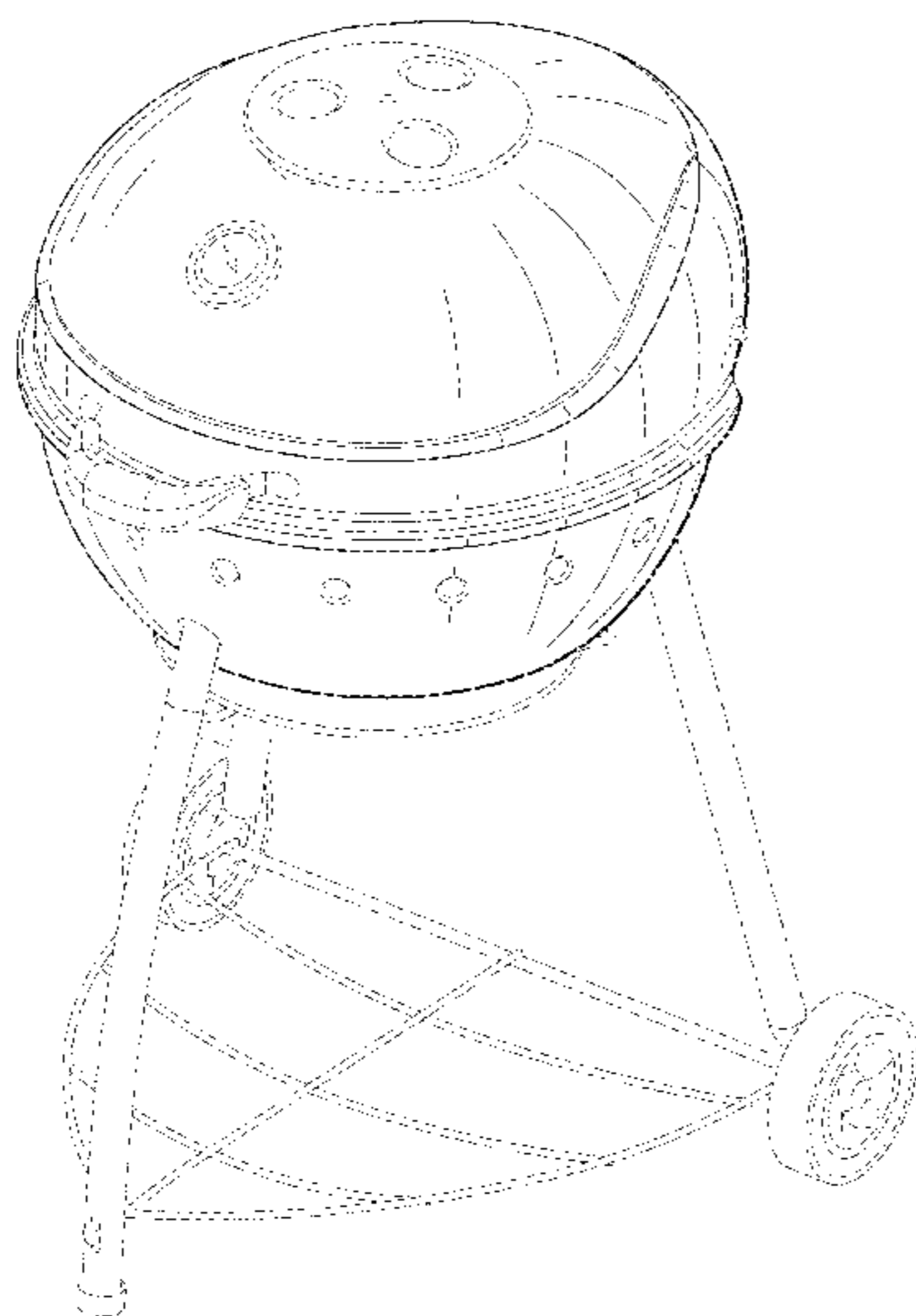
Primary Examiner — Ruth McInroy
(74) *Attorney, Agent, or Firm* — David G. Woodral; Fellers, Snider, Blankenship, Bailey & Tippens, P.C.

(57) **CLAIM**
The ornamental design for an outdoor cooker body, as shown and described.

DESCRIPTION

FIG. 1 is a right side perspective view of an outdoor cooker body showing my new design;
FIG. 2 is a left side perspective view thereof;
FIG. 3 is a left side elevation view thereof;
FIG. 4 is a front elevation view thereof;
FIG. 5 is a right side elevation view thereof;
FIG. 6 is a rear elevation view thereof; and,
FIG. 7 is a top plan view thereof.
The details shown in broken lines are for environmental illustration only and form no part of the claimed design.

1 Claim, 7 Drawing Sheets



(56)

References Cited

OTHER PUBLICATIONS

Weber Performer grill, believed to be marketed at least prior to Jun. 19, 2014, photo submitted and also viewable at <http://www.weber.com/grills/series/performer>.

Weber Ranch Kettle grill, believed to be marketed at least prior to Jun. 19, 2014, photo submitted and also viewable at <http://www.weber.com/grills/series/ranch-kettle/ranch-kettle>.

Char-Broil Tru-Infrared Patio Bistro Gas 240—Model 14601997, on sale prior to Jun. 19, 2014, photo submitted and also viewable at <http://www.charbroil.com/grills/gas-grills/patio-bistro/patio-bistro-240-tru-infrared-gas-grill-black-14601997.html>.

Char-Broil Tru-Infrared Gas Patio Bistro—Model 14601897 <http://www.charbroil.com/grills/gas-grills/patio-bistro/infrared-gas-patio-bistro-14601897.html>.

Stok Drum charcoal grill, believed to be marketed at least prior to Jun. 19, 2014, photo submitted and also viewable at <http://www.stokgrills.com/grills/drum.php>.

Stok Island gas grill, believed to be marketed at least prior to Jun. 19, 2014, photo submitted and also viewable at <http://www.stokgrills.com/grills/island.php>.

Stok Tower grill, believed to be marketed at least prior to Jun. 19, 2014, photo submitted and also viewable at <http://www.stokgrills.com/grills/tower.php>.

* cited by examiner

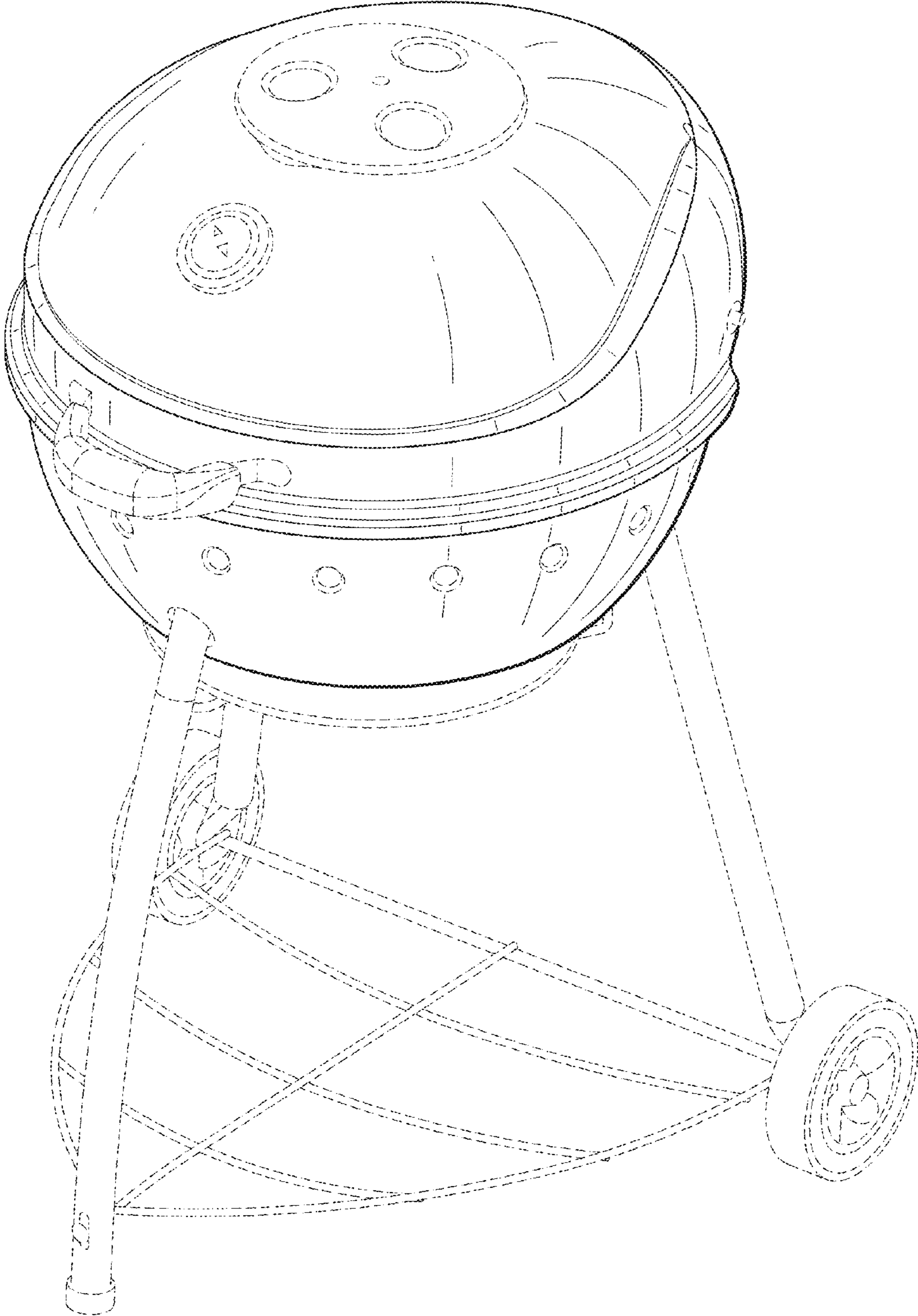


FIG. 1

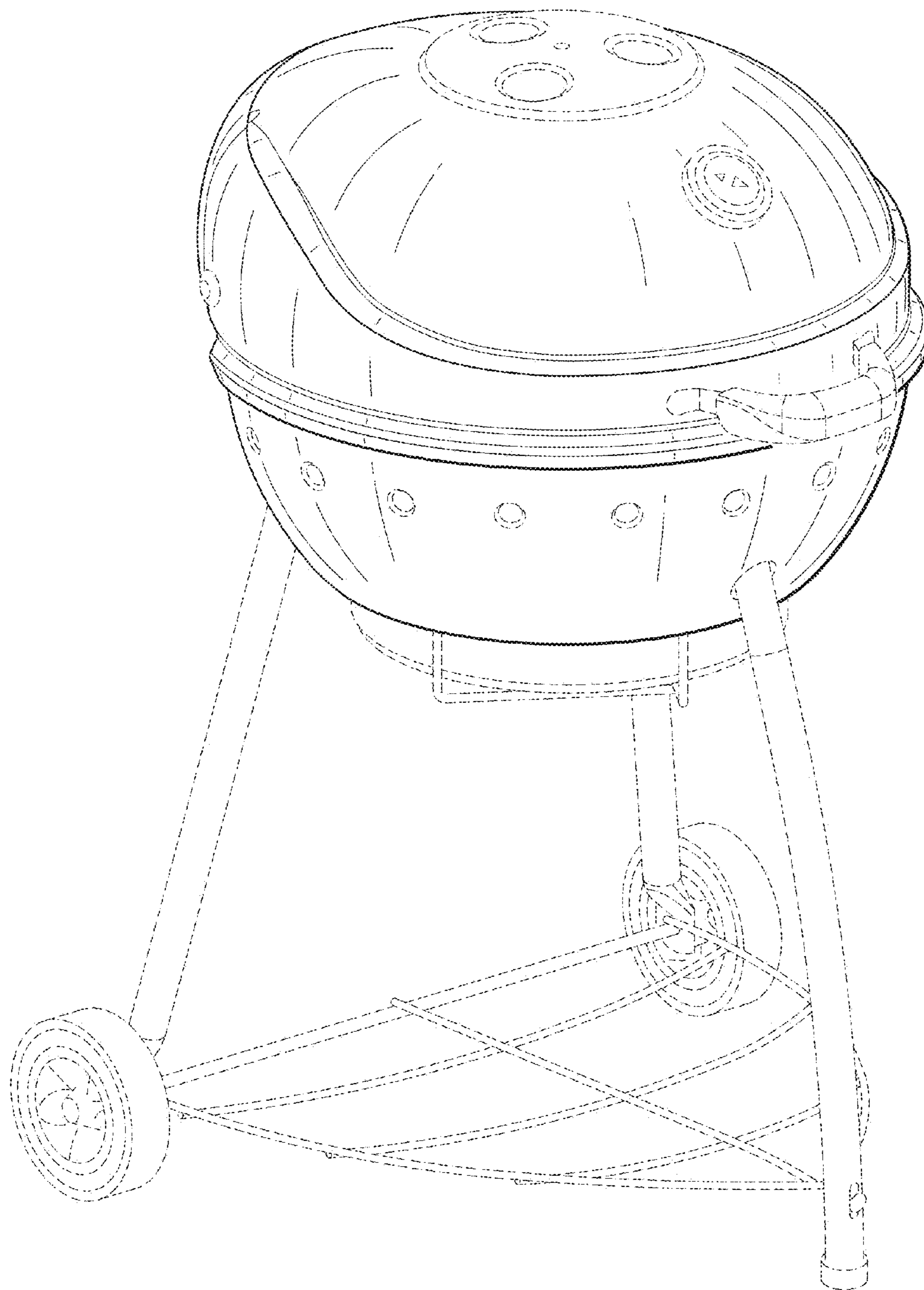


FIG. 2

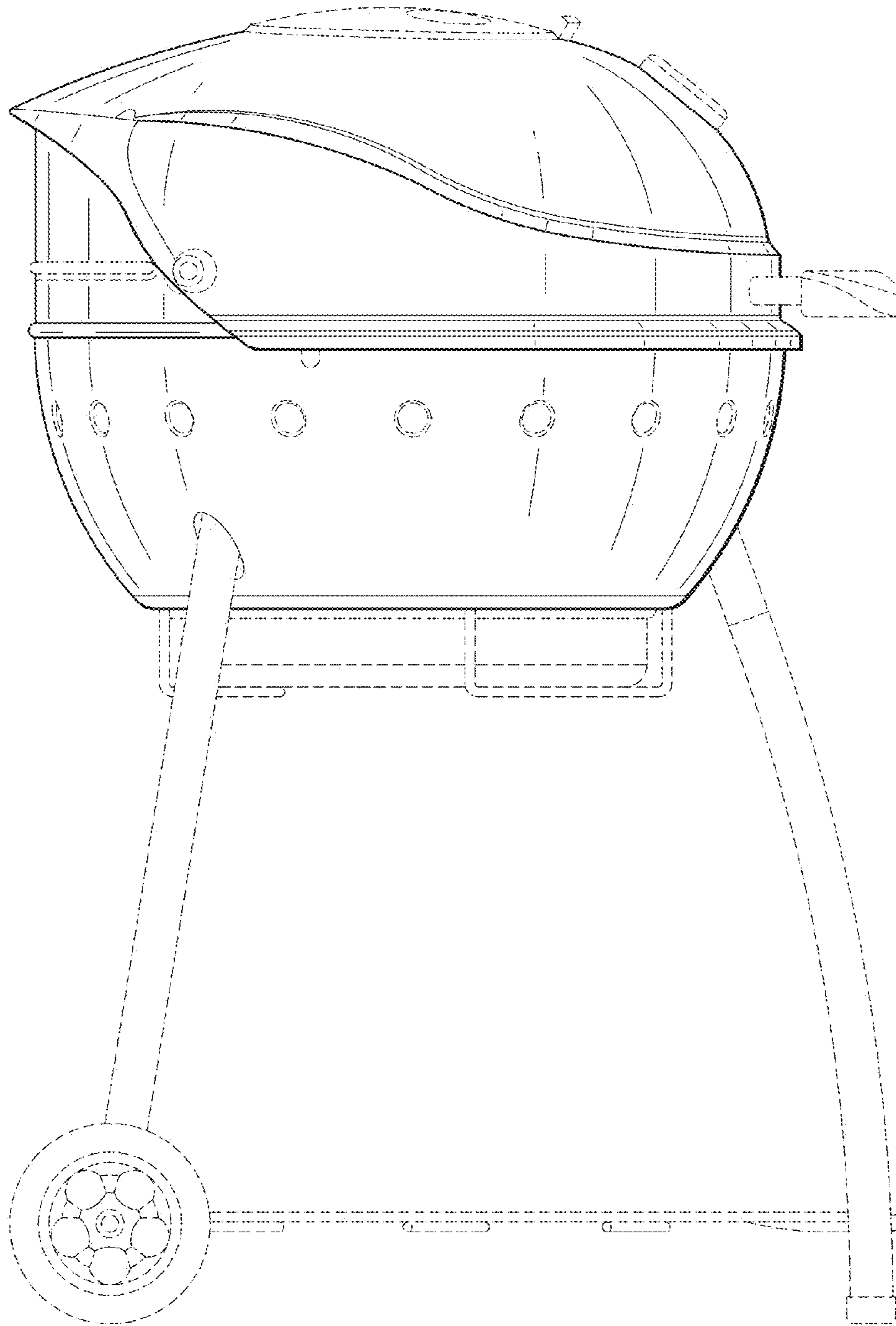


FIG. 3

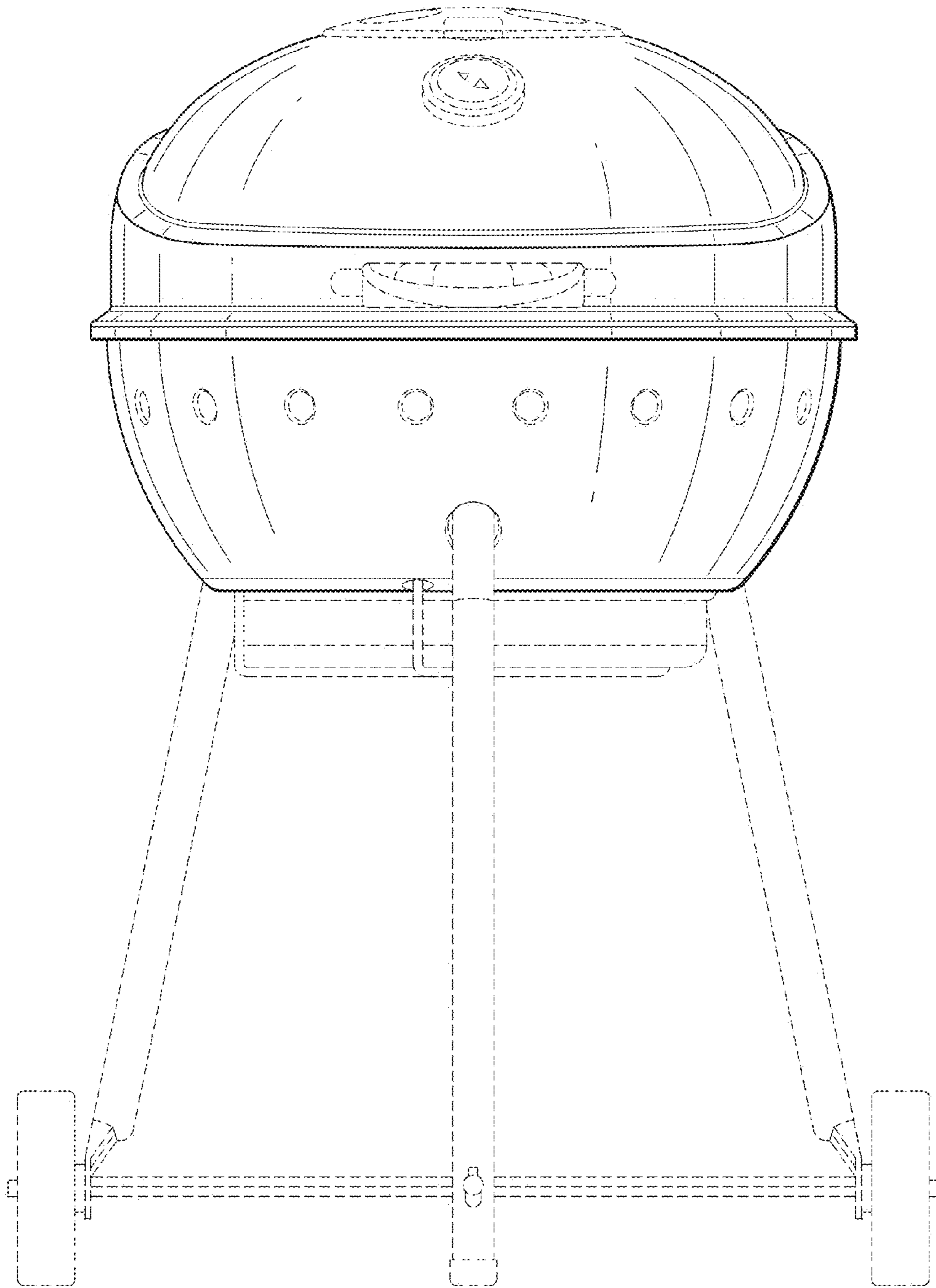


FIG. 4

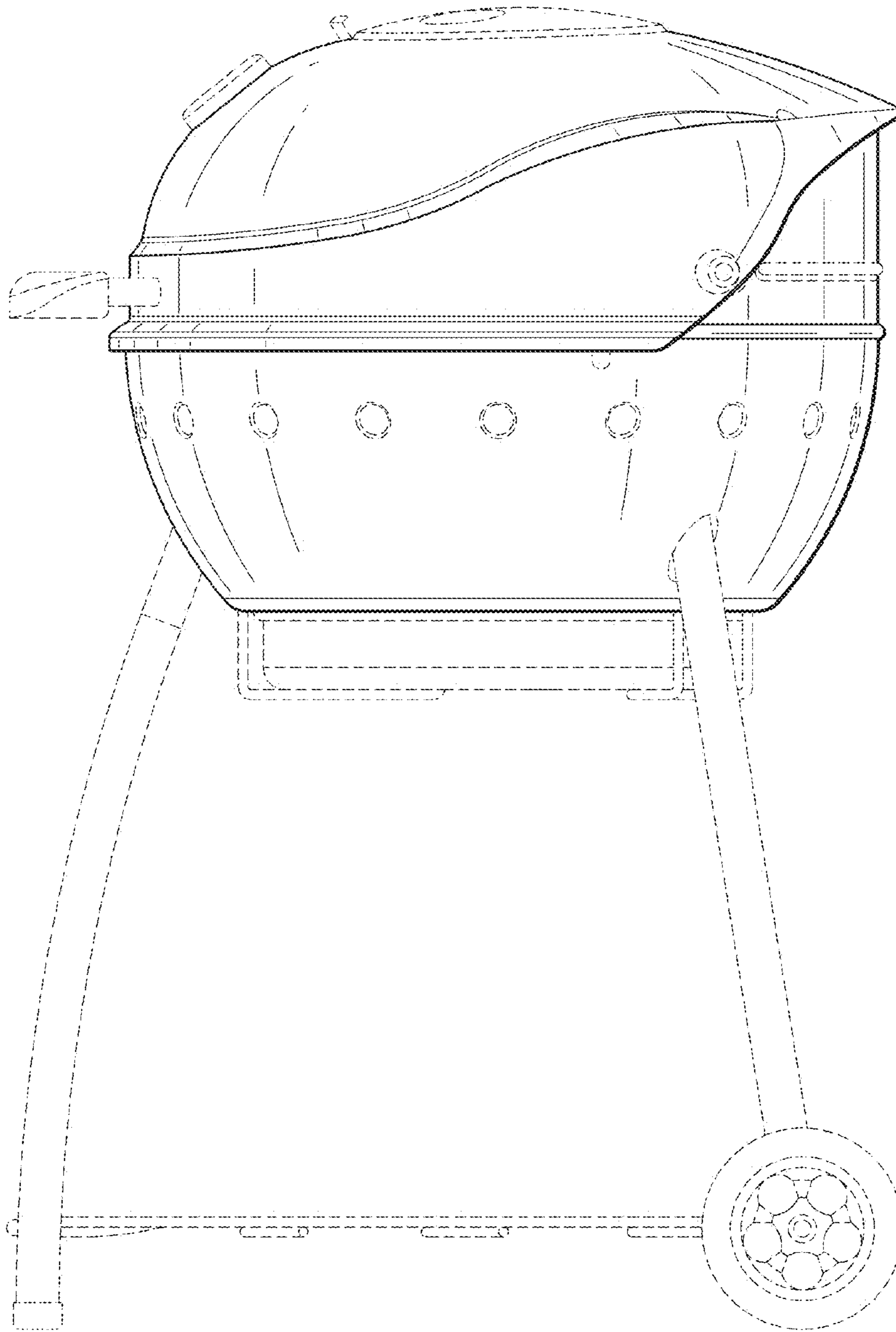


FIG. 5

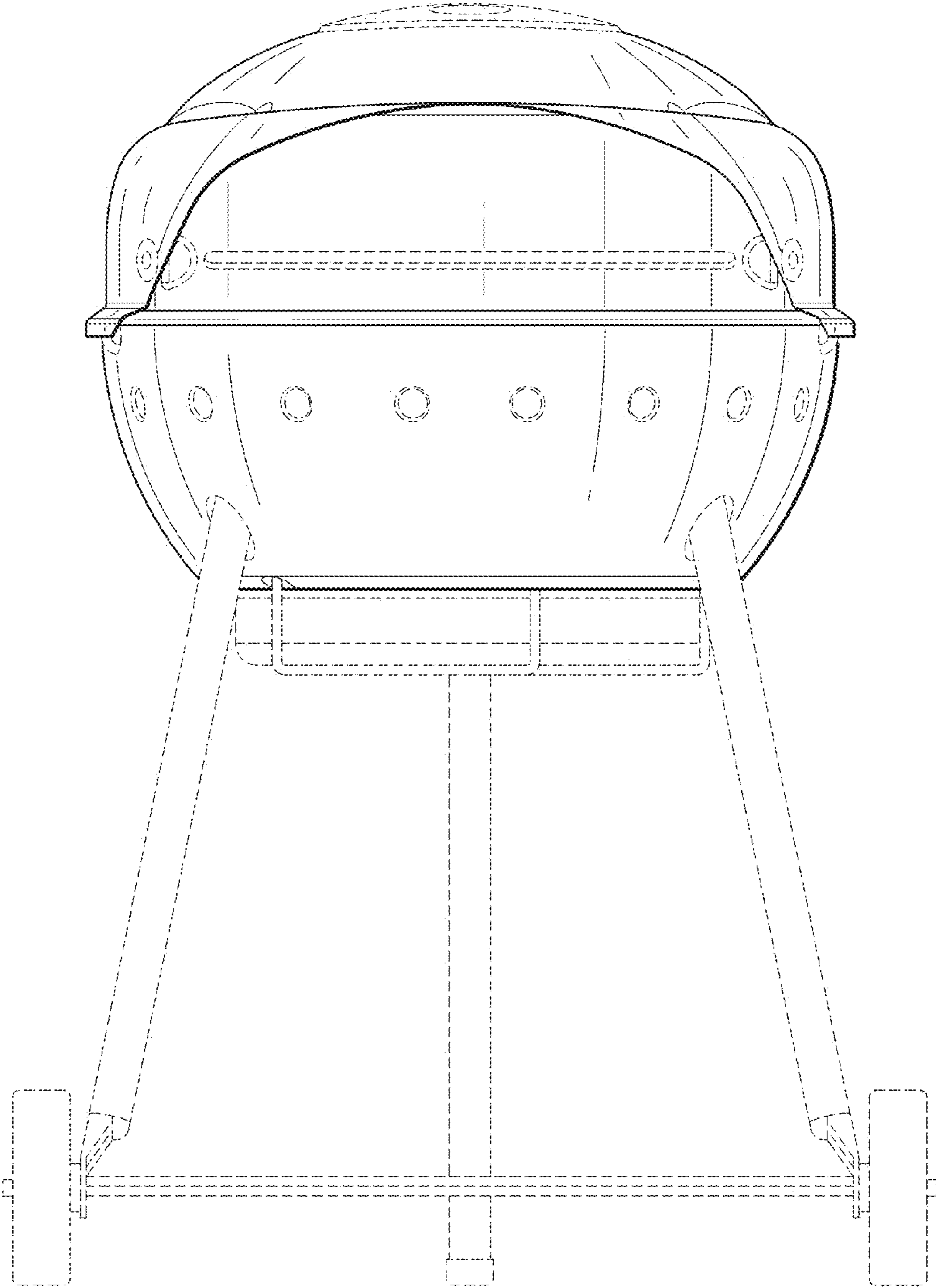


FIG. 6

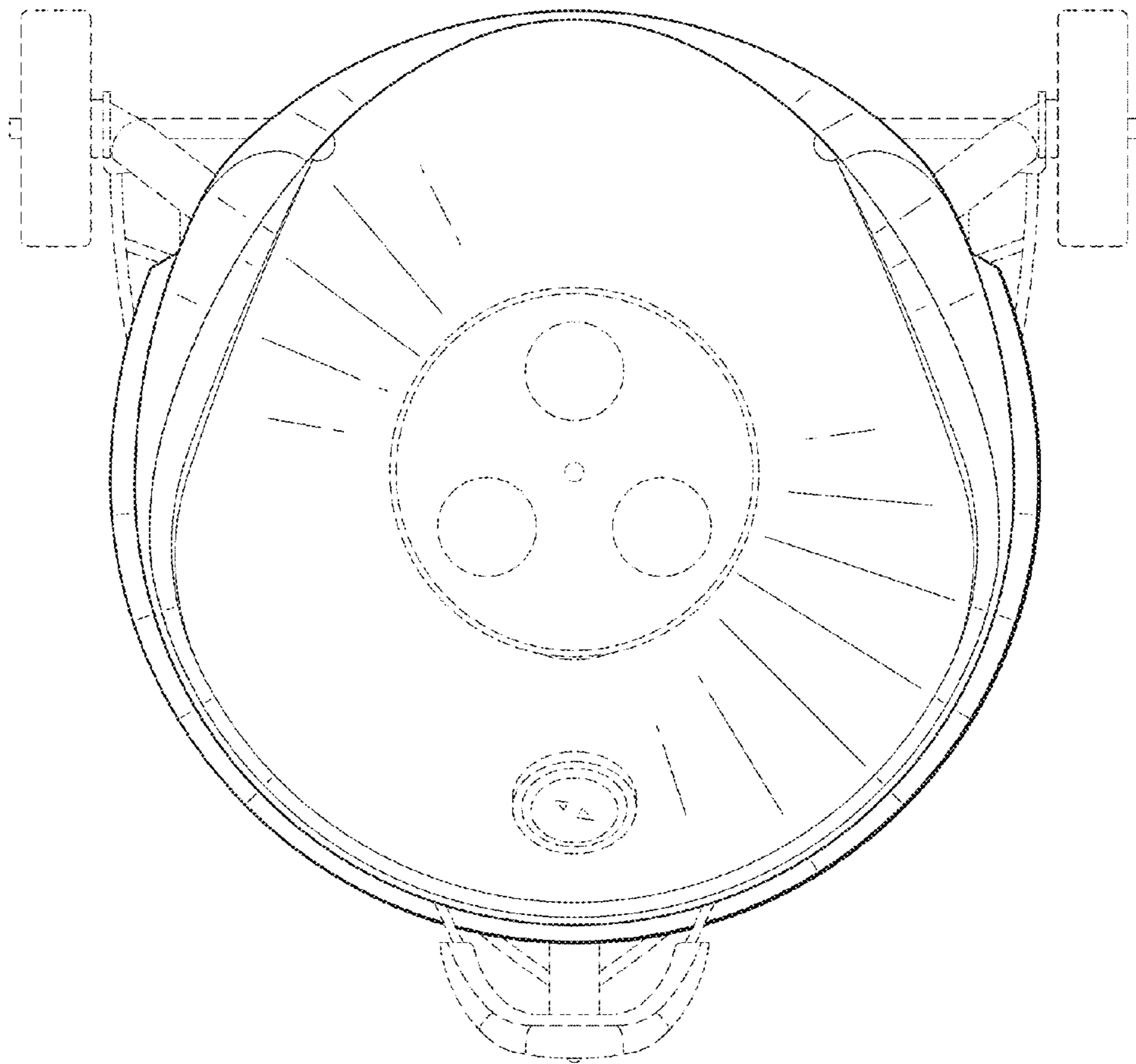


FIG. 7