



US00D753437S

(12) **United States Design Patent**
Steel

(10) **Patent No.:** **US D753,437 S**

(45) **Date of Patent:** **** *Apr. 12, 2016**

(54) **MUG**

(71) Applicant: **Jeffrey Steel**, Hoboken, NJ (US)

(72) Inventor: **Jeffrey Steel**, Hoboken, NJ (US)

(*) Notice: This patent is subject to a terminal disclaimer.

(**) Term: **14 Years**

(21) Appl. No.: **29/491,390**

(22) Filed: **May 20, 2014**

(51) **LOC (10) Cl.** **31-00**

(52) **U.S. Cl.**
USPC **D7/396.2; D7/396.6; D7/509**

(58) **Field of Classification Search**
USPC D7/507-515, 523, 531, 533, 538, 300.1,
D7/300, 591, 596, 391, 396.1, 396.2, 414,
D7/213, 400, 396.6, 900, 395, 631, 633;
D9/516, 570, 651, 905, 552, 197, 435,
D9/440; 220/703, 592.16, 592.17;
206/216, 217; D8/34; D23/335, 336,
D23/262, 260
CPC A47G 19/22; A47G 19/2227; A47G
2019/225; A47G 19/2272; A47G 19/2288;
A45F 3/20; B65D 1/265; A47J 43/27
See application file for complete search history.

(56) **References Cited**

U.S. PATENT DOCUMENTS

2,476,621	A *	7/1949	Okress	333/254
2,781,650	A *	2/1957	Lee	40/324
D289,143	S *	4/1987	Guillaume	D9/501
D296,523	S *	7/1988	Corno et al.	D9/435
4,765,465	A *	8/1988	Yamada et al.	206/217
4,989,746	A *	2/1991	Pierce	220/254.3
D318,321	S *	7/1991	Wigle	D23/262

D440,134	S *	4/2001	Brix-Hansen	D8/33
D502,052	S *	2/2005	Meade	D7/396.2
D506,910	S *	7/2005	Tham-itthisak	D8/34
D527,254	S *	8/2006	Antonelli	D9/436
D543,658	S *	5/2007	Angeletta	D28/7
D649,836	S *	12/2011	Dooley et al.	D7/536
D659,497	S *	5/2012	Blazevic	D8/34
D679,971	S *	4/2013	Weyer et al.	D8/40
2002/0175169	A1 *	11/2002	Tham-itthisak	220/600
2005/0184137	A1 *	8/2005	Dorsey et al.	229/103
2006/0261170	A1 *	11/2006	Mooney et al.	235/486
2008/0237242	A1 *	10/2008	Gifford	220/592.16
2009/0080180	A1 *	3/2009	Bertken	362/101
2009/0255941	A1 *	10/2009	Kuntz	220/592.17
2010/0005828	A1 *	1/2010	Fedell	62/457.4
2010/0078432	A1 *	4/2010	Lin	220/23.91
2011/0114647	A1 *	5/2011	Hallberg	220/592.17
2013/0264340	A1 *	10/2013	Zens	220/8
2013/0341443	A1 *	12/2013	Stephenson	241/38
2014/0190966	A1 *	7/2014	Coloneri	220/203.01

* cited by examiner

Primary Examiner — Marianne Pandozzi

Assistant Examiner — Jae Liang

(74) *Attorney, Agent, or Firm* — Steven E. Shapiro

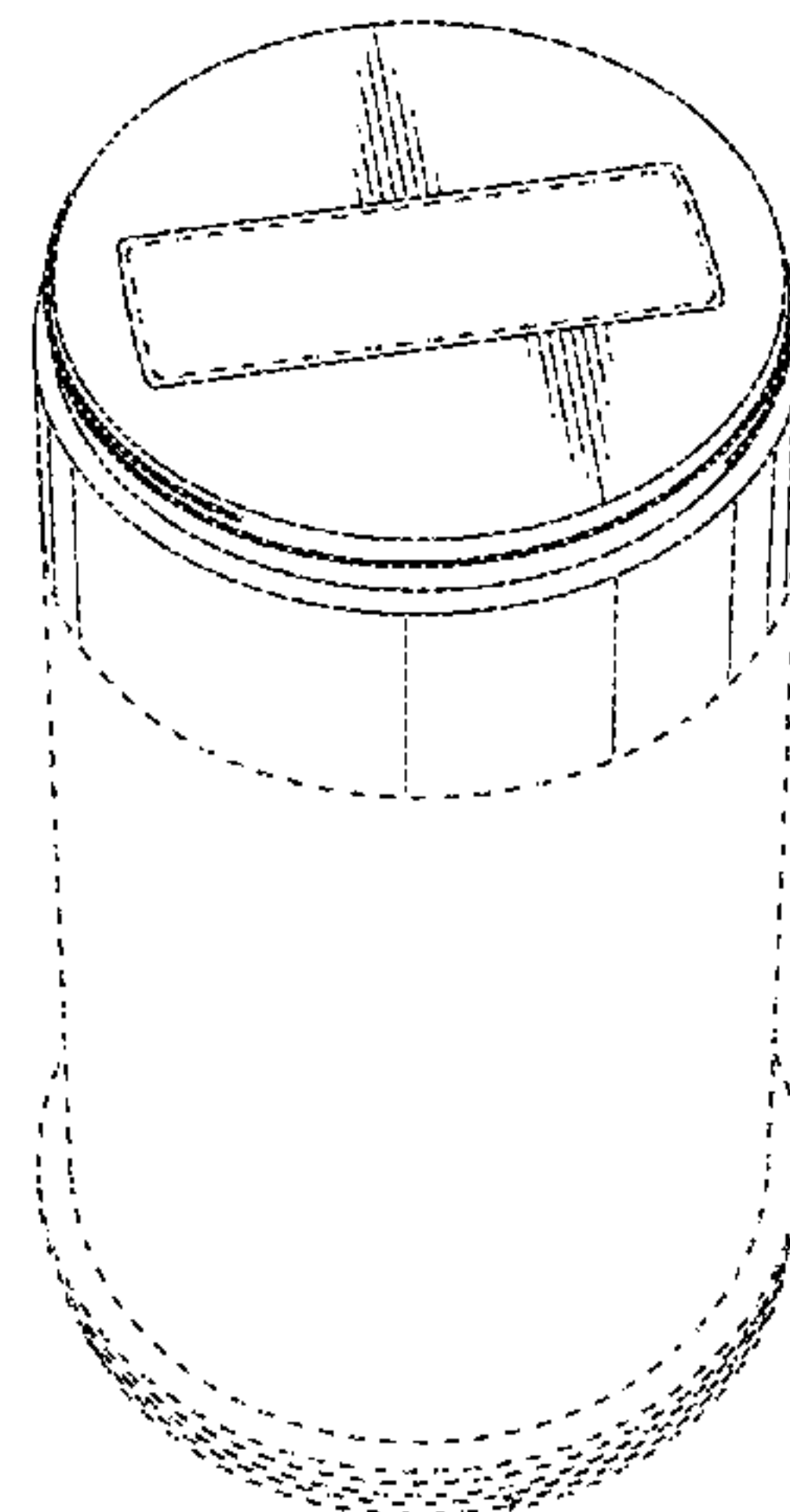
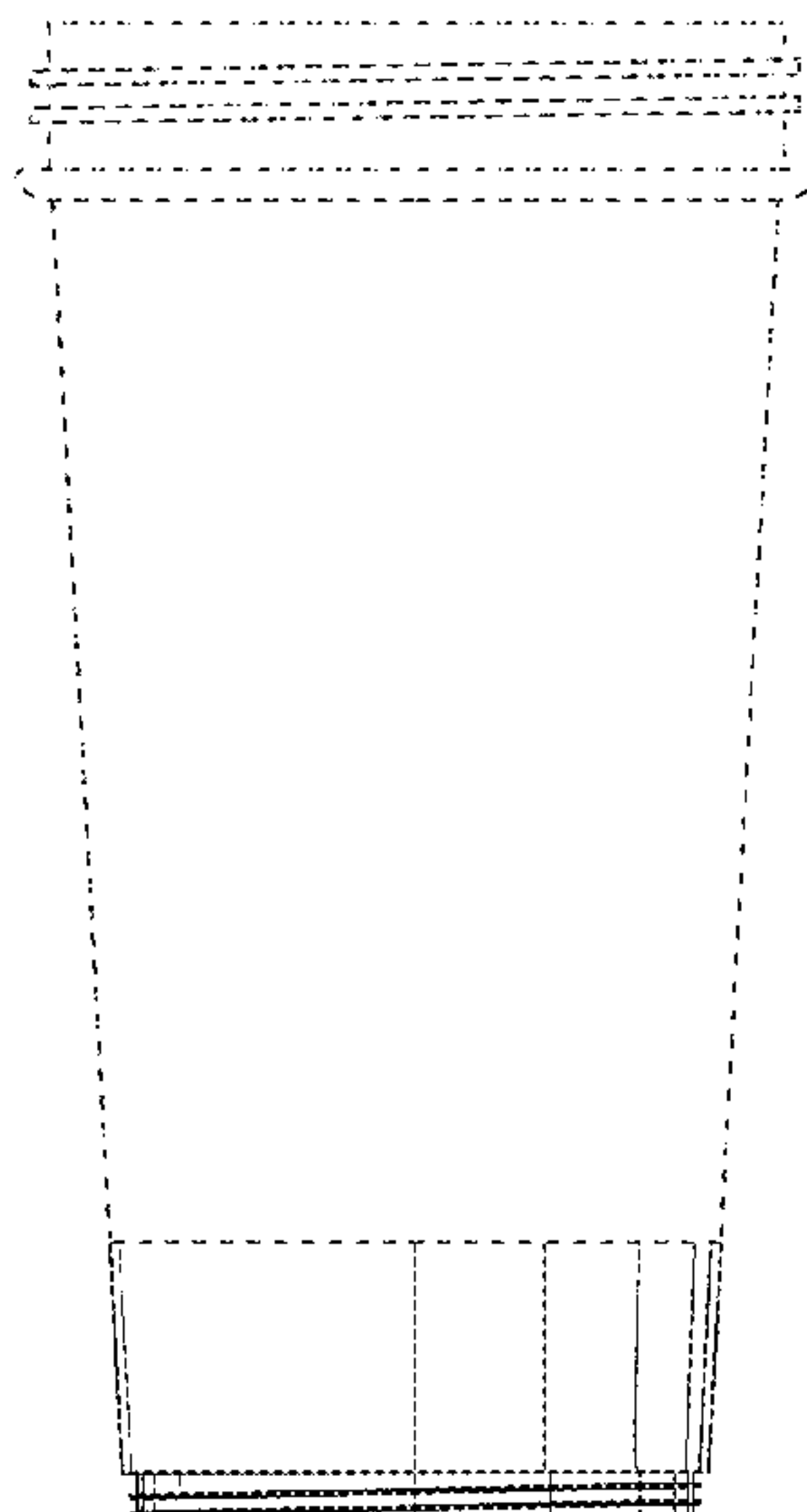
(57) **CLAIM**

The ornamental design for a mug, as shown and described.

DESCRIPTION

FIG. 1 is a top perspective view of a mug;
FIG. 2 is a front view of the mug;
FIG. 3 is a right side view of the mug;
FIG. 4 is a rear view of the mug;
FIG. 5 is a left side view of the mug;
FIG. 6 is a bottom view of the mug; and,
FIG. 7 is a bottom perspective view of the mug.
The broken lines in the figure drawings are included for the purpose of illustration and form no part of the claimed design.

1 Claim, 7 Drawing Sheets



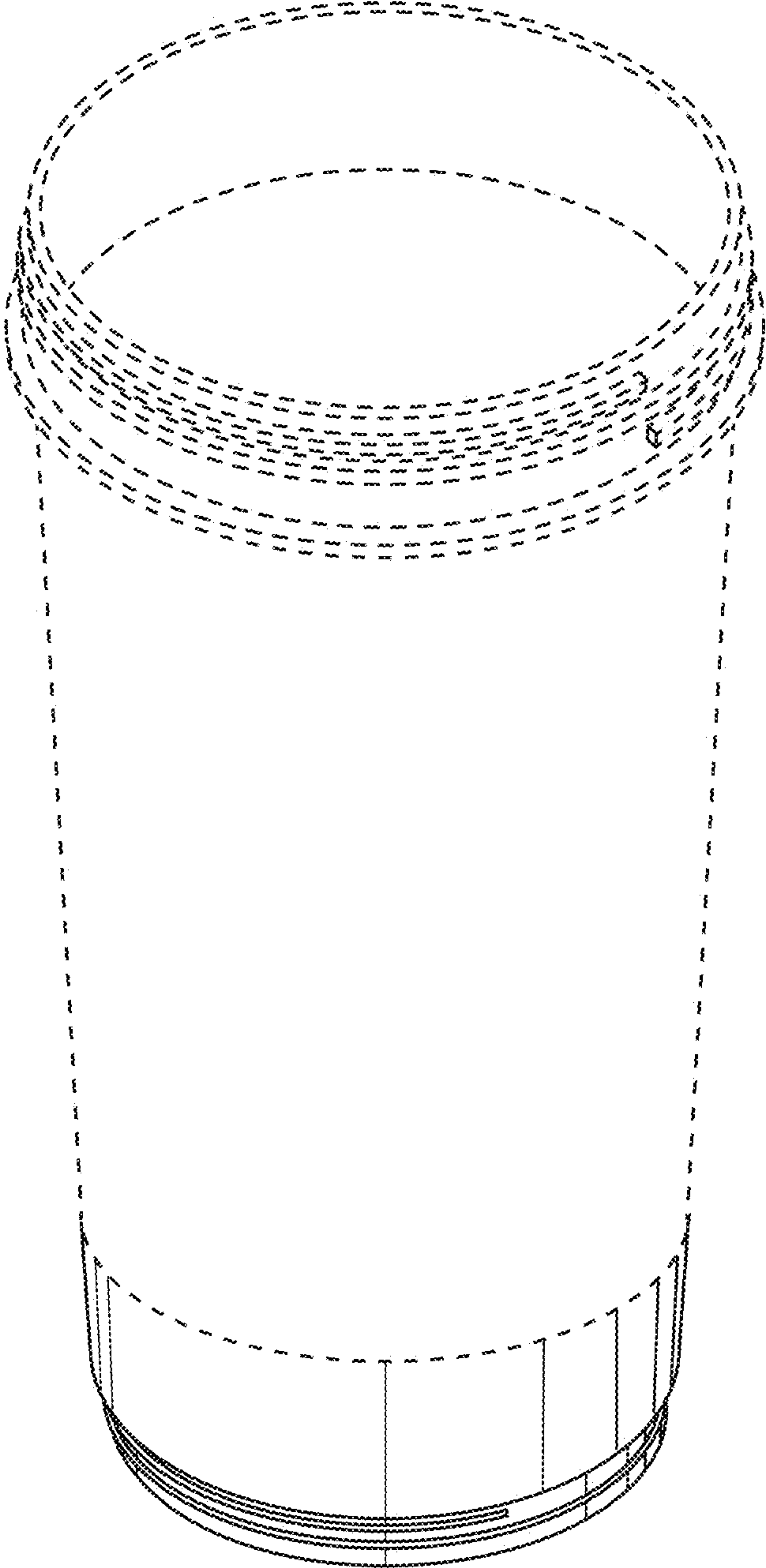


Fig. 1

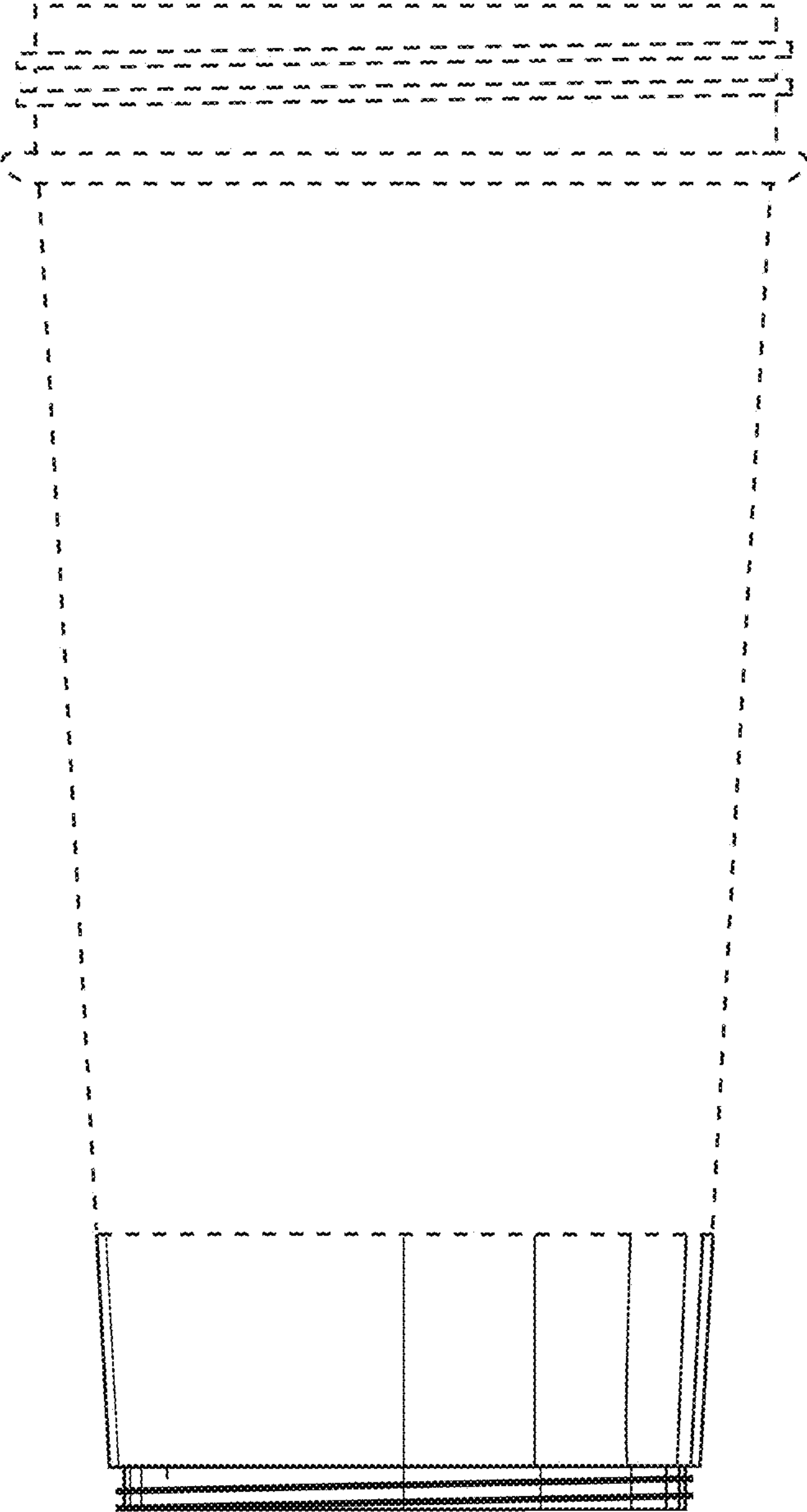


Fig. 2

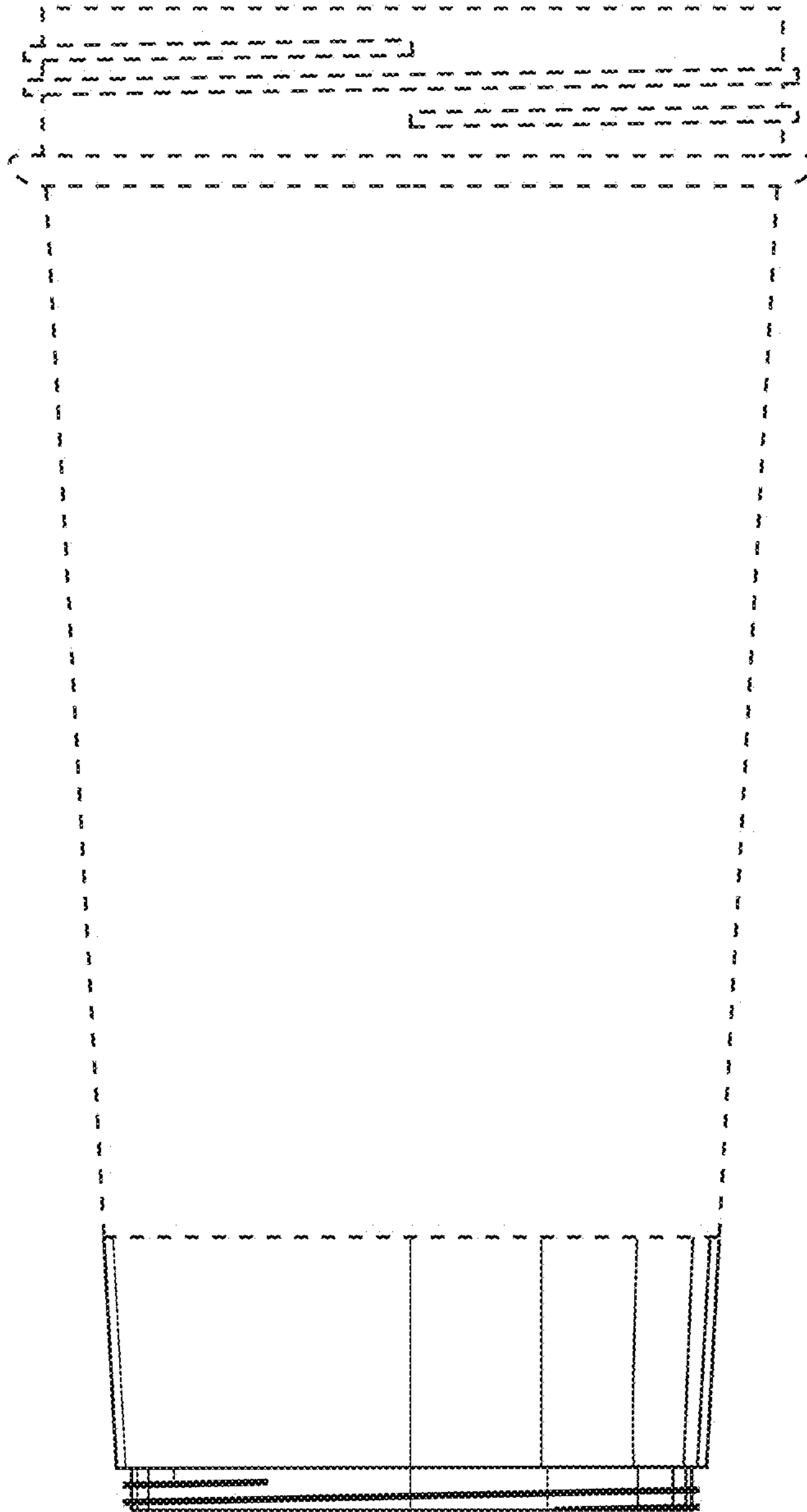


Fig. 3

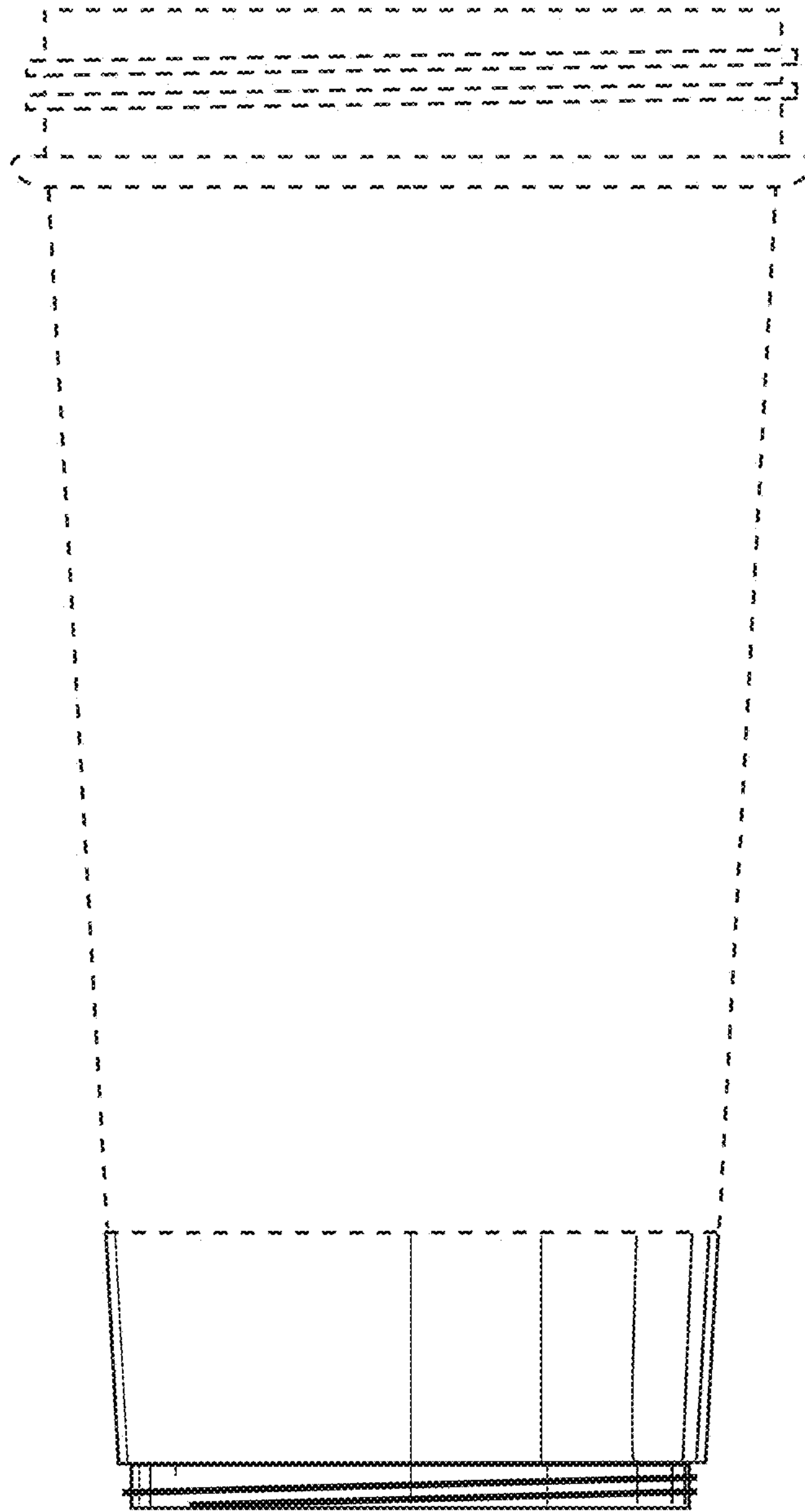


Fig. 4

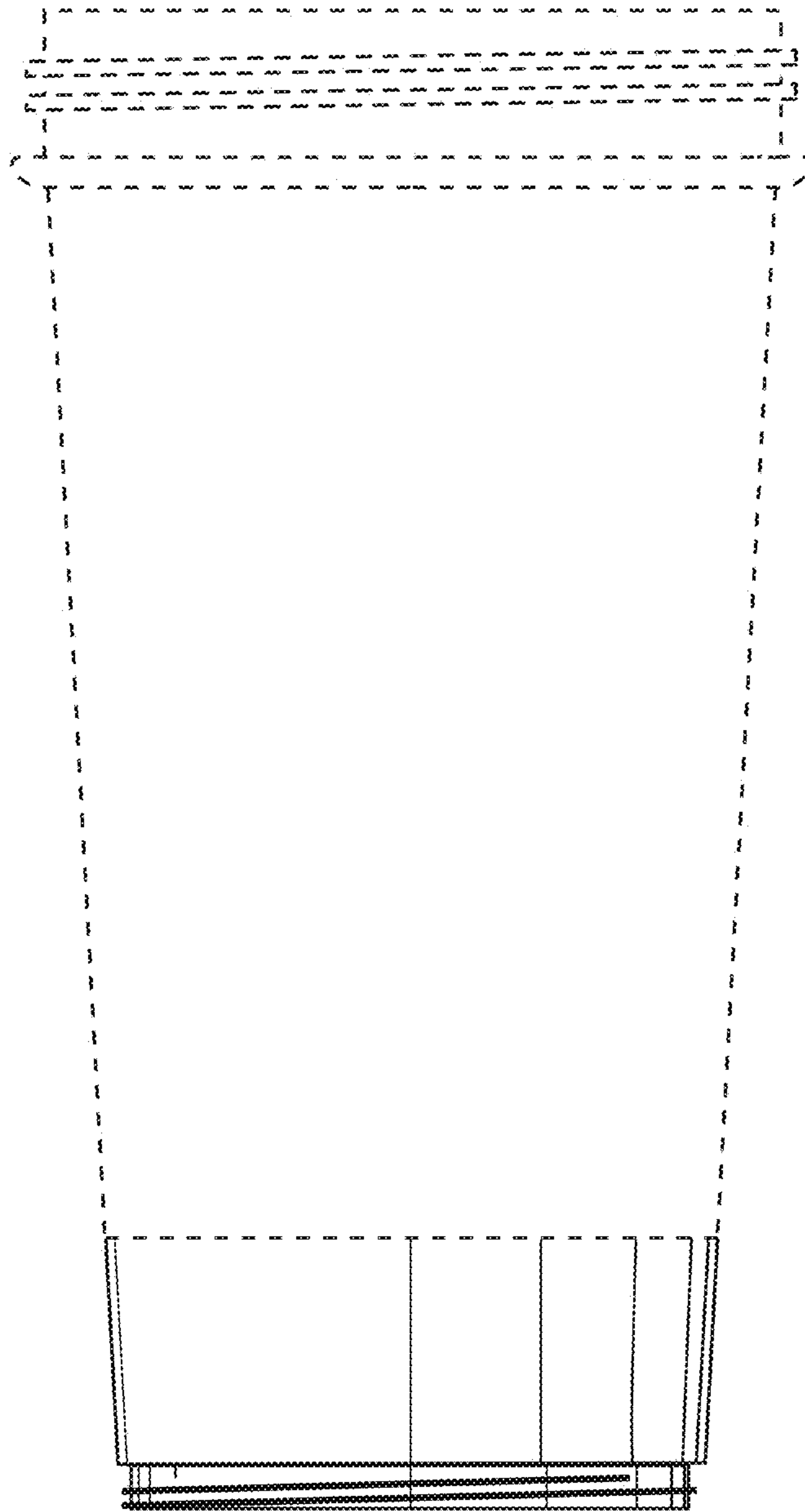


Fig. 5

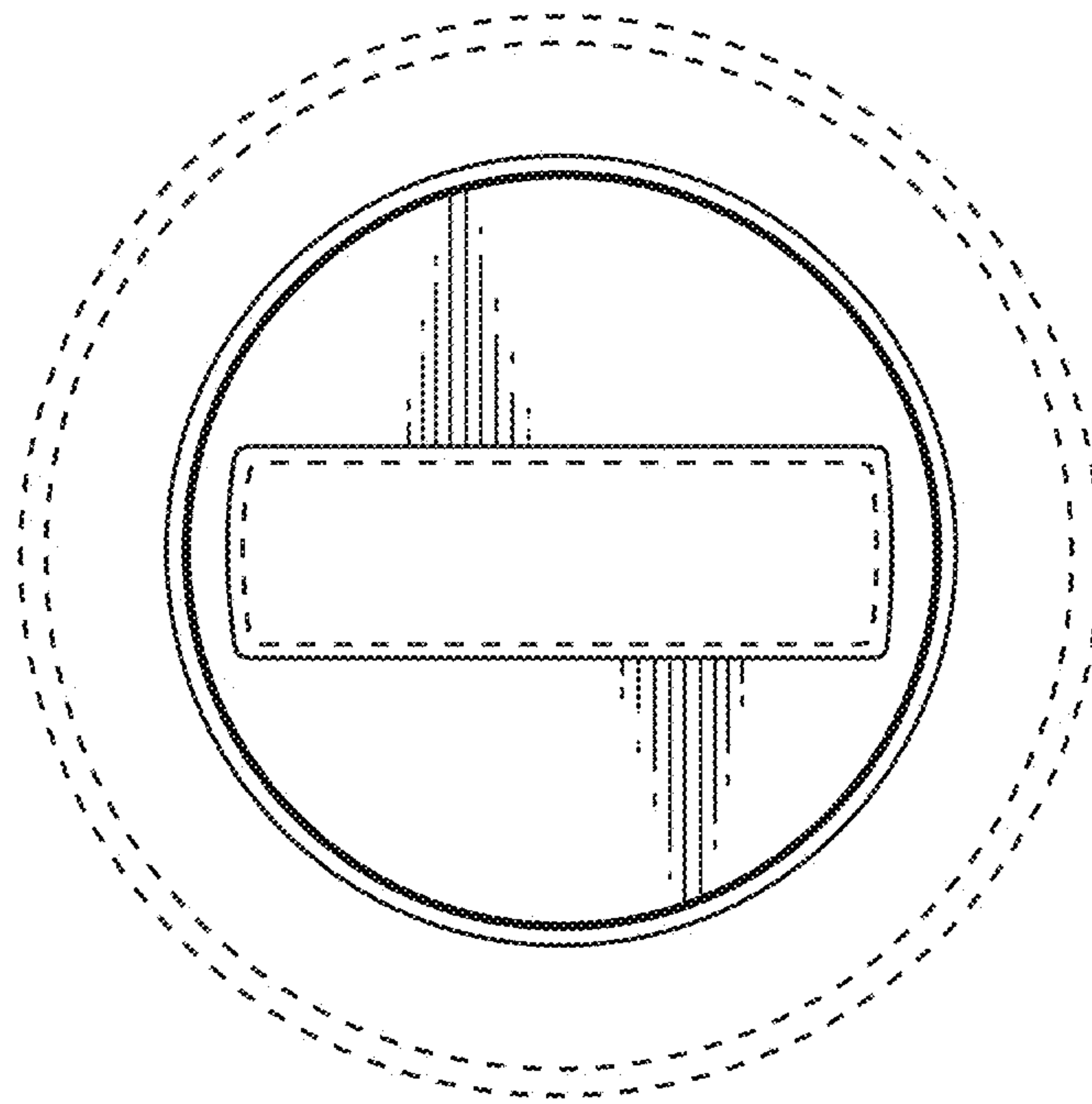


Fig. 6

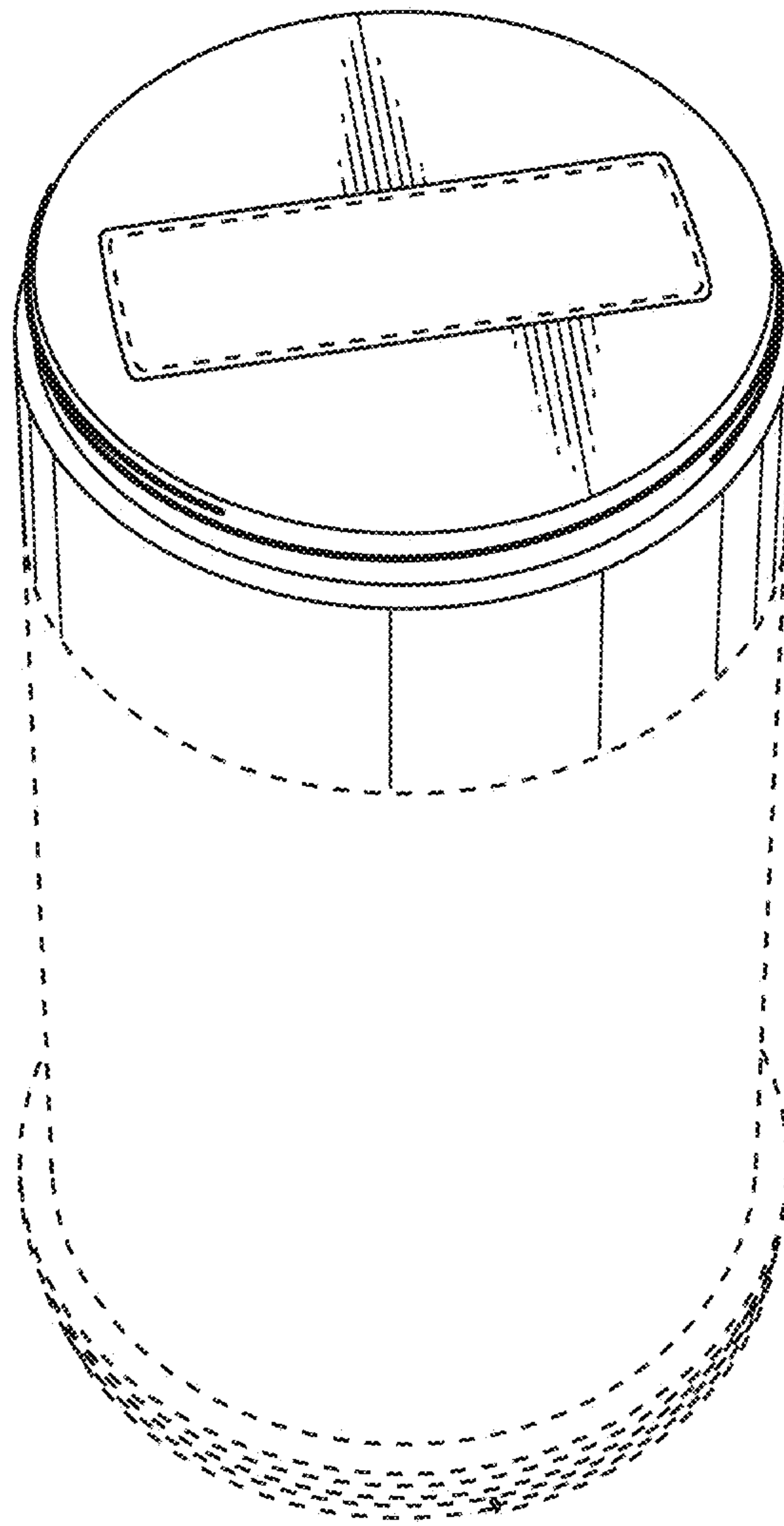


Fig. 7