



US00D753436S

(12) **United States Design Patent**
Chaitanarit

(10) **Patent No.:** **US D753,436 S**

(45) **Date of Patent:** **** *Apr. 12, 2016**

(54) **DRINKING TRAINING SPOUT**

(71) Applicant: **Magic Love Limited**, Wan Chai (HK)

(72) Inventor: **Siripen Chaitanarit**, Muang Samut Sakhon (TH)

(73) Assignee: **Magic Love Limited**, Hong Kong (CN)

(*) Notice: This patent is subject to a terminal disclaimer.

(**) Term: **14 Years**

(21) Appl. No.: **29/435,796**

(22) Filed: **Oct. 29, 2012**

(30) **Foreign Application Priority Data**

Apr. 30, 2012 (TH) 1202001100

(51) **LOC (10) Cl.** **07-01**

(52) **U.S. Cl.**
USPC **D7/392**

(58) **Field of Classification Search**
USPC D7/534, 510, 511, 524, 523; D24/197;
215/11.1, 11.6, 386; 220/710.5
CPC A47G 19/2272; A47G 19/2205; A47G
19/2266; A47G 19/2261; A47G 23/0216;
A47G 19/2216; B65D 1/265; B65D
2543/00537; B65D 2543/00092; B65D 47/06;
B65D 2543/00046; B65D 2543/00296; B65D
23/10; B65D 25/48; A61J 11/04; A61J 9/00;
A61J 11/008; A61J 11/045; A61J 9/08;
A61J 11/02; F25D 2331/808; F25D 31/008;
F25D 3/107

See application file for complete search history.

(56) **References Cited**

U.S. PATENT DOCUMENTS

D419,029 S * 1/2000 Randolph D7/392
D457,778 S * 5/2002 Randolph et al. D7/392.1

D479,946 S * 9/2003 Jalet et al. D7/392.1
2002/0158075 A1 * 10/2002 Caldicott et al. 220/714
2005/0045647 A1 * 3/2005 Hession et al. 220/714
2005/0056614 A1 * 3/2005 Morano et al. 215/396
2005/0067419 A1 * 3/2005 Gordon 220/717
2005/0145636 A1 * 7/2005 Albright et al. 220/714
2006/0201902 A1 * 9/2006 Brown et al. 215/11.4
2007/0090081 A1 * 4/2007 Briscoe et al. 215/307
2010/0163568 A1 * 7/2010 Mucci et al. 220/796
2013/0068715 A1 * 3/2013 Sakulsacha 215/11.1
2014/0069947 A1 * 3/2014 Smith et al. 220/714

OTHER PUBLICATIONS

DIY Hipster Sippy Cup, announced Aug. 2013, [online], [site visited May 2, 2014]. Available from Internet, <URL:http://grosgrainfabulous.blogspot.com/2013/08/diy-hipster-mason-jar-sippy-cup.html>.*

* cited by examiner

Primary Examiner — Eric Goodman

Assistant Examiner — Jennifer Watkins

(74) *Attorney, Agent, or Firm* — Strasburger & Price, LLP

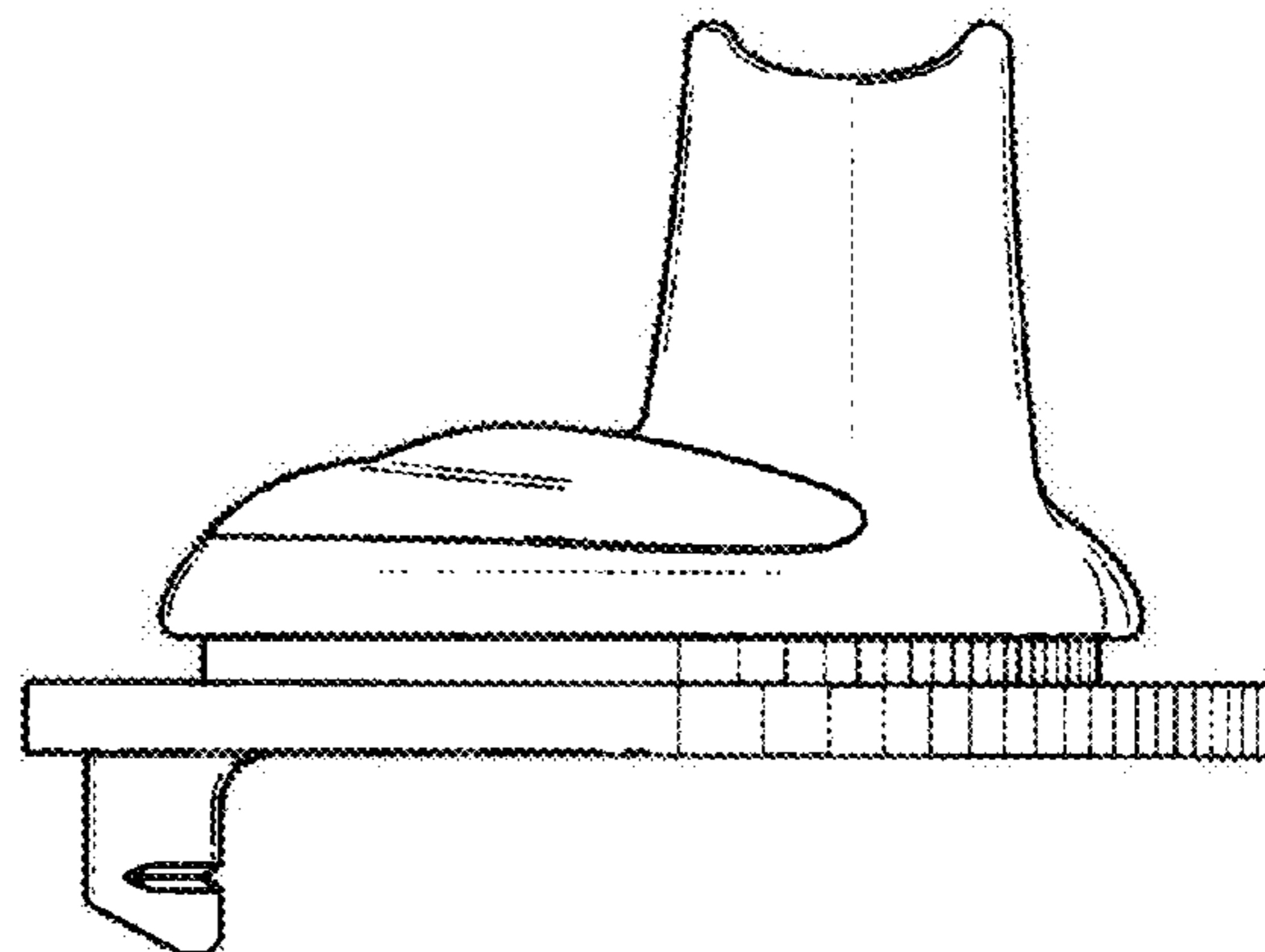
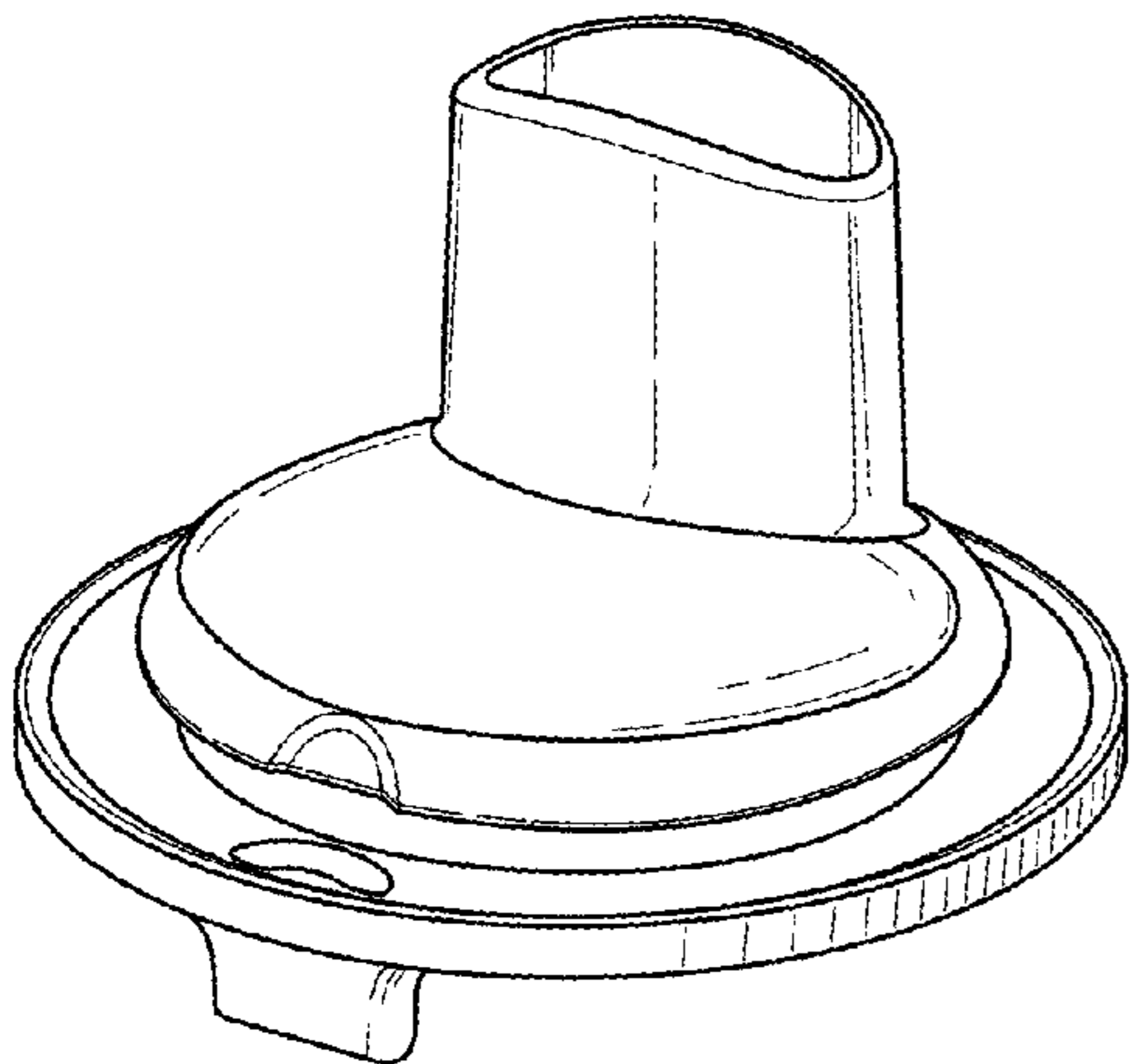
(57) **CLAIM**

I claim the ornamental design for a drinking training spout, as shown.

DESCRIPTION

FIG. 1 is a perspective view from above of a drinking training spout in accordance with the design;
FIG. 2 is a perspective view from below thereof;
FIG. 3 is a bottom view thereof;
FIG. 4 is a left side sectional view taken from FIG. 3;
FIG. 5 is a front elevation sectional view taken from FIG. 3;
FIG. 6 is a rear elevation view thereof;
FIG. 7 is a left side view thereof;
FIG. 8 is a right side view thereof; and,
FIG. 9 is a front elevation view thereof.
Those features depicted with dashed lines do not form a part of the disclosed design.

1 Claim, 3 Drawing Sheets



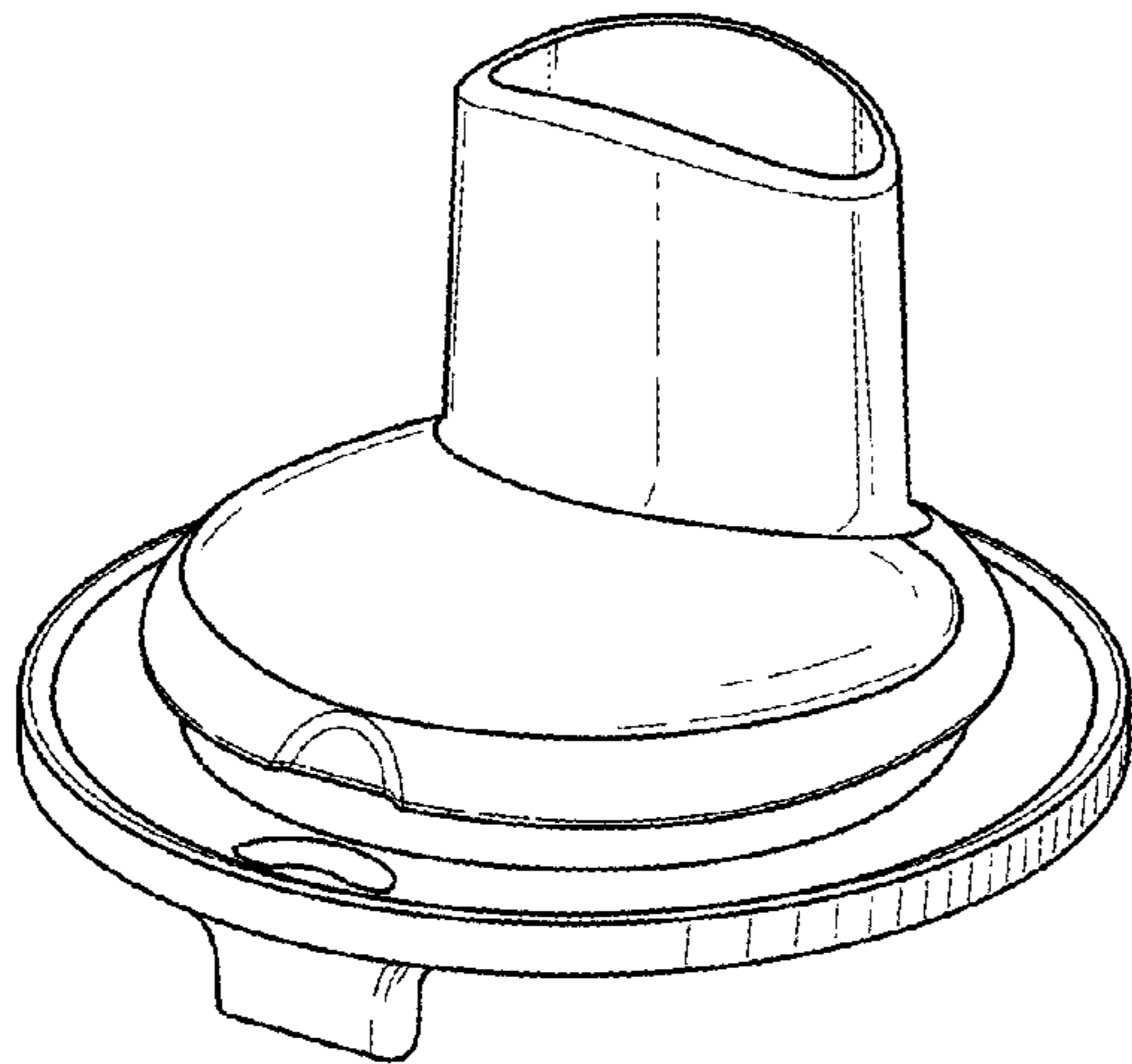


FIG. 1

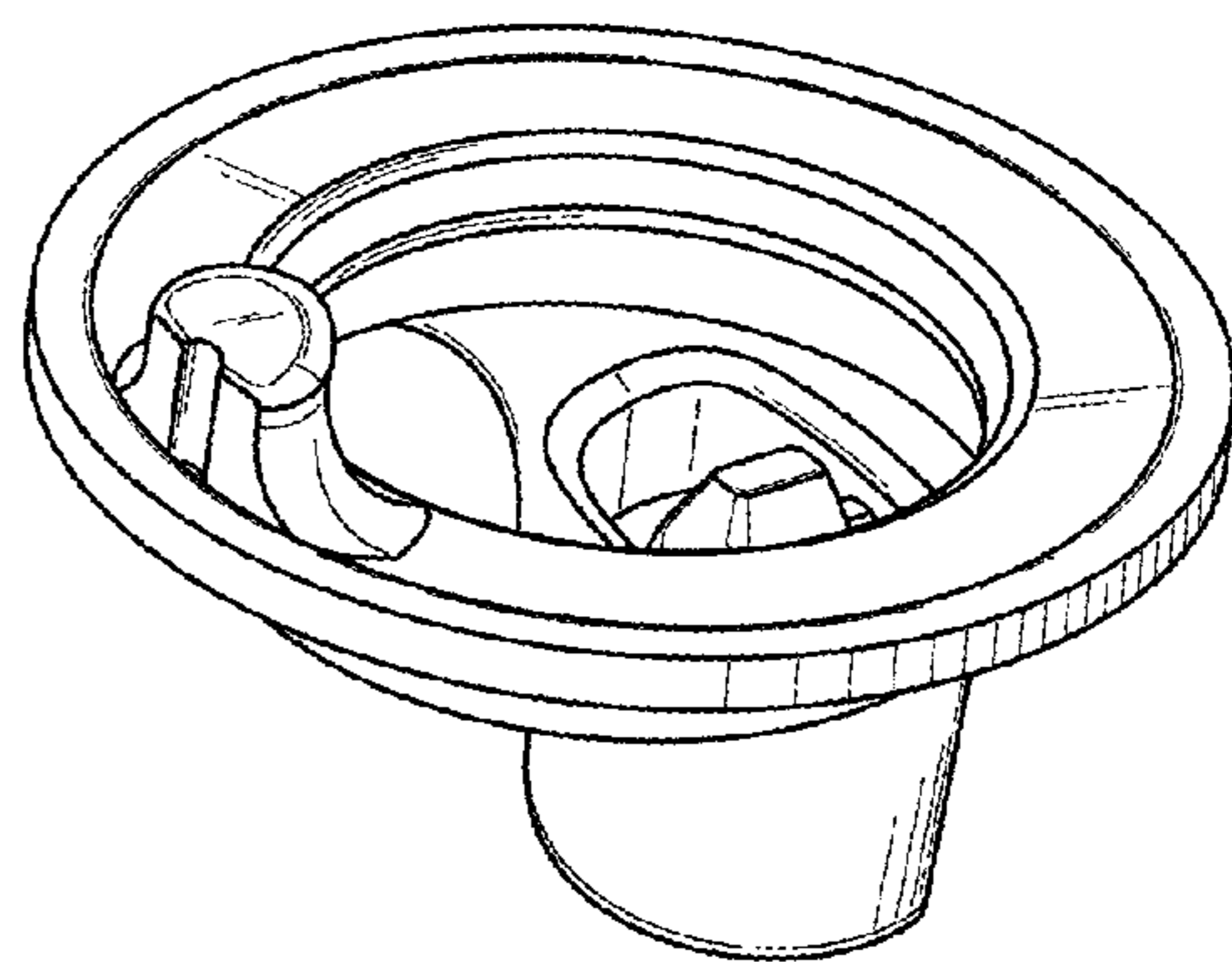


FIG. 2

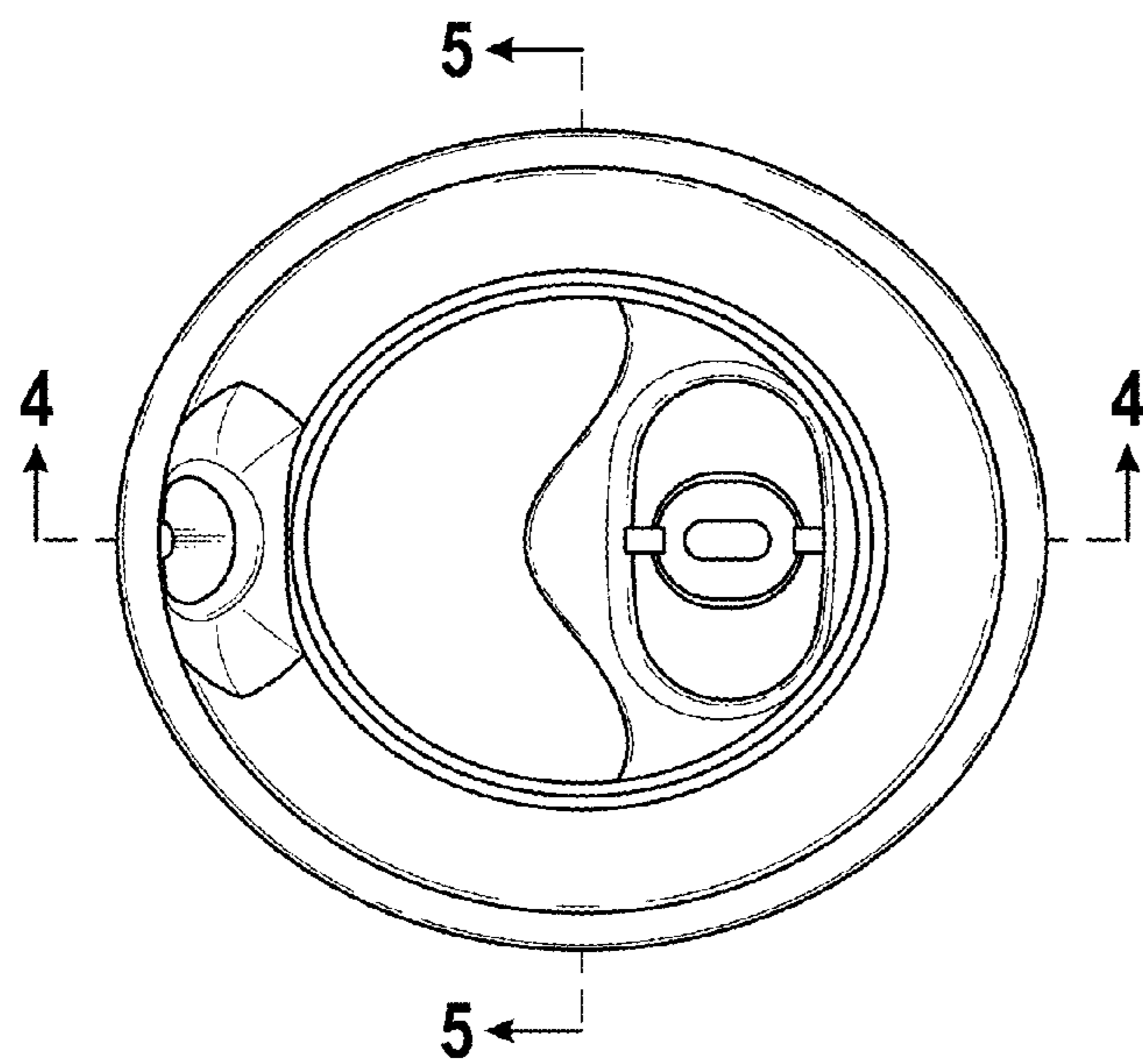


FIG. 3

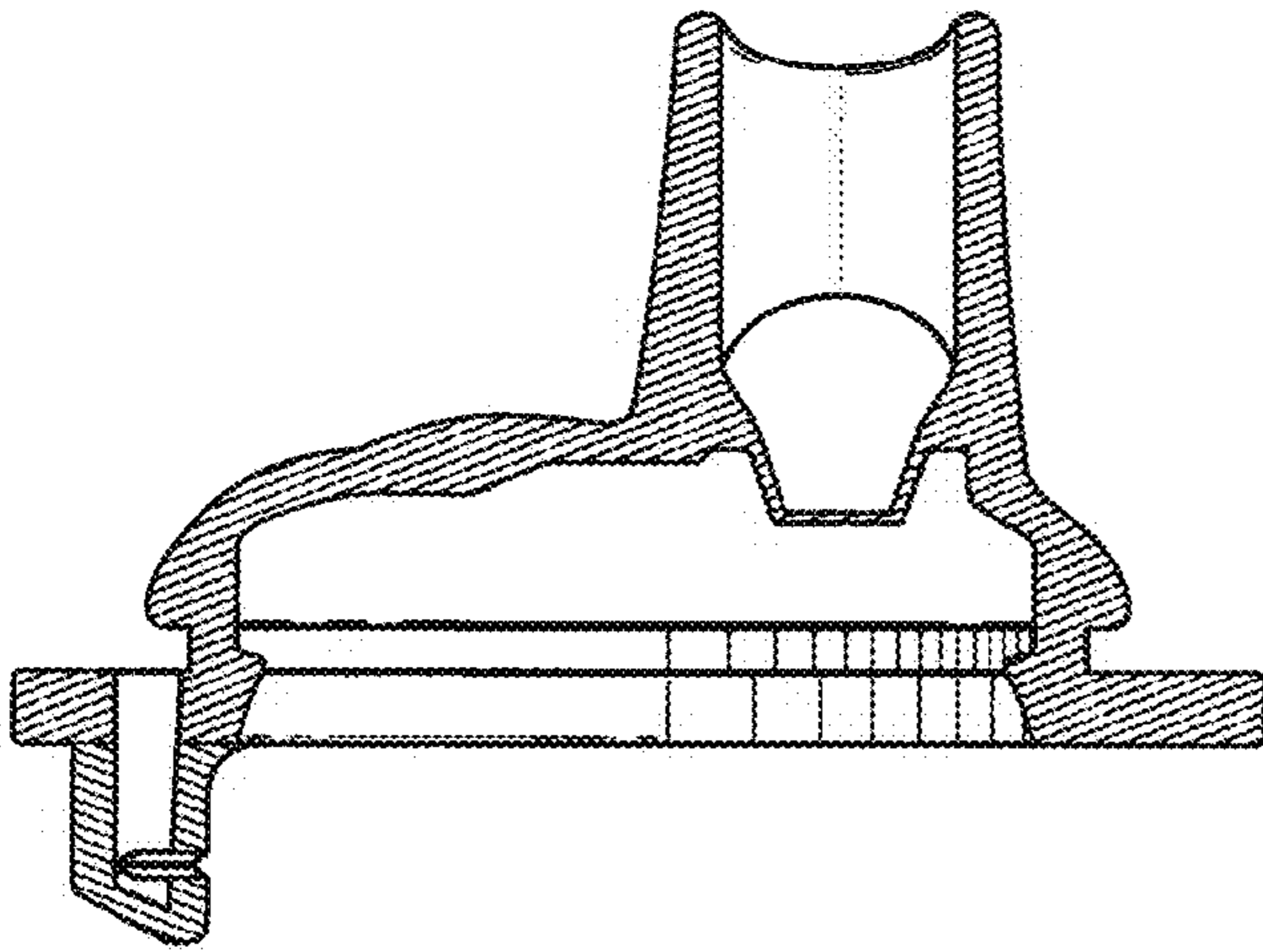


FIG. 4

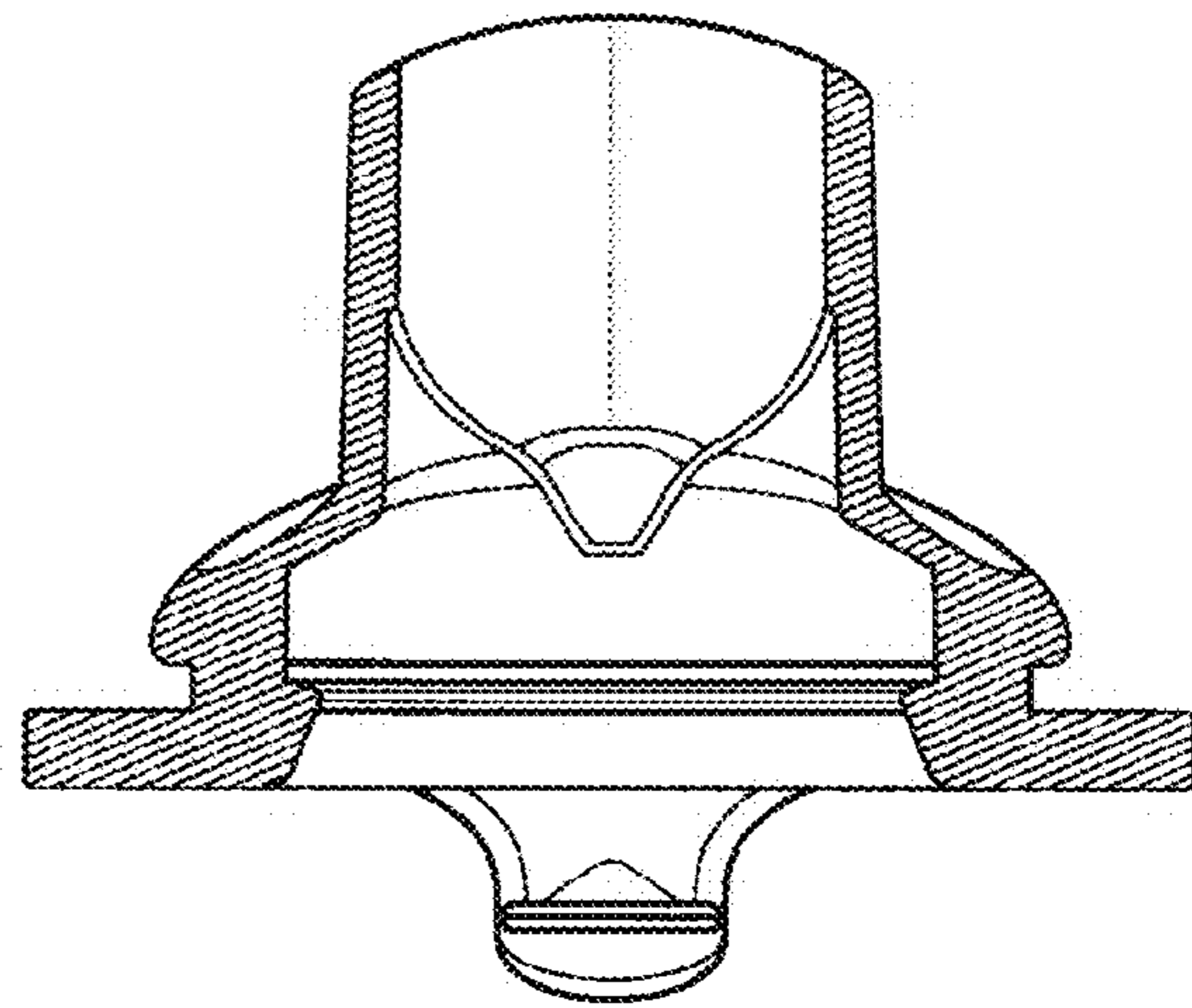


FIG. 5

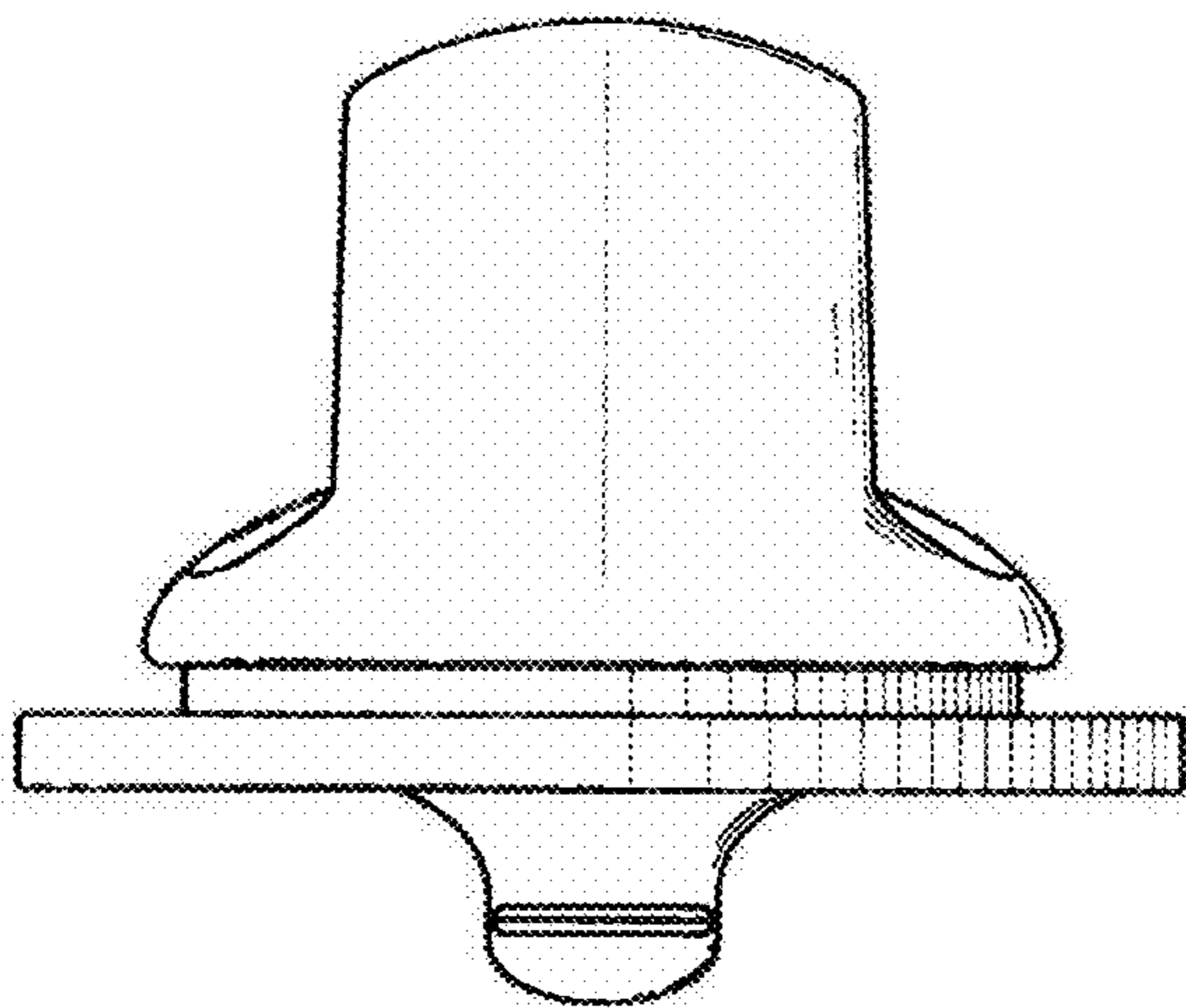


FIG. 6

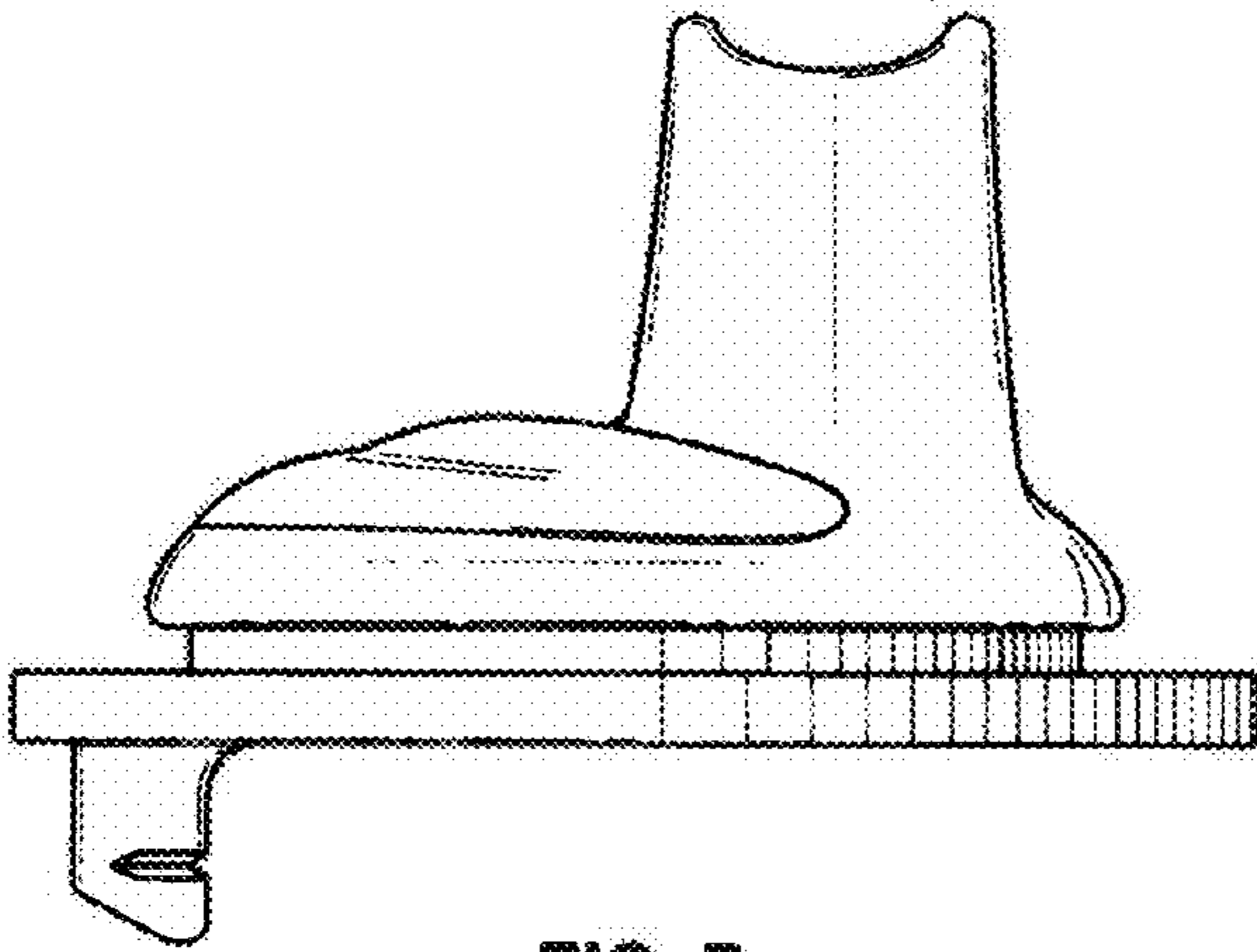


FIG. 7

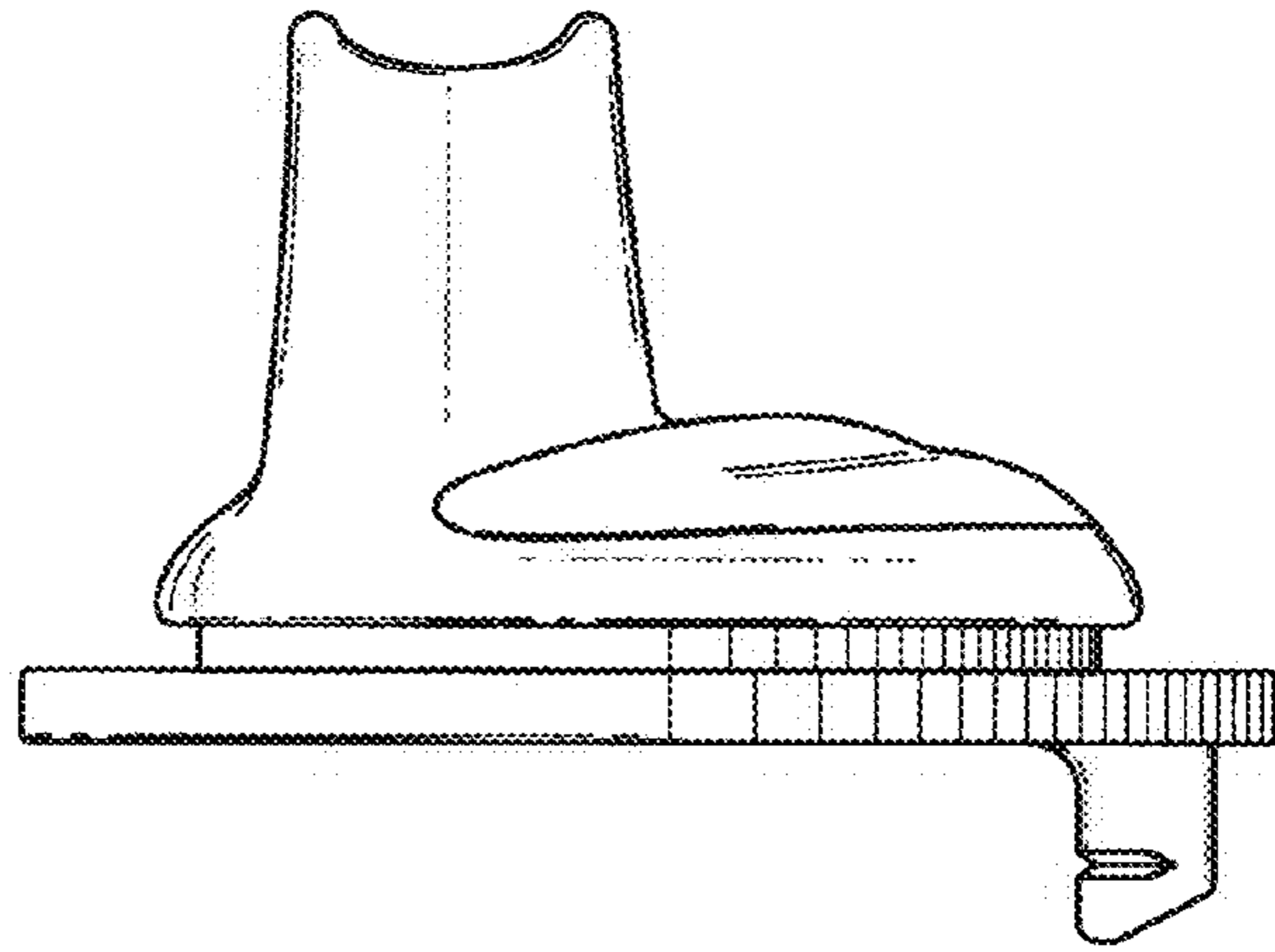


FIG. 8

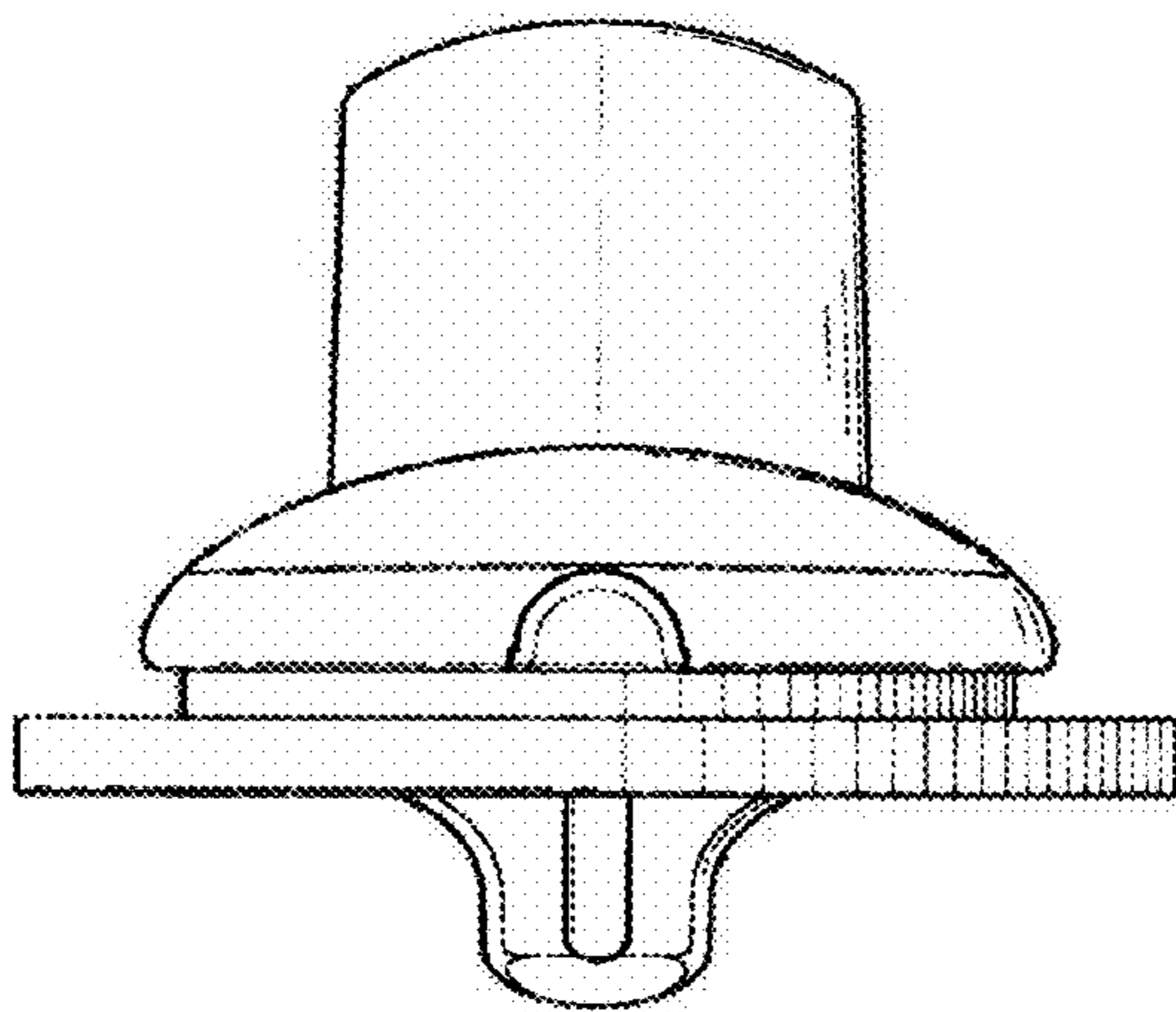


FIG. 9