



US00D753434S

(12) **United States Design Patent**
Bazzicalupo et al.

(10) **Patent No.:** **US D753,434 S**
(45) **Date of Patent:** **** Apr. 12, 2016**

(54) **STAND MIXER**

(71) Applicant: **SMEG S.p.A.**, Guastalla (IT)

(72) Inventors: **Leopoldo Bazzicalupo**, Iseo (IT);
Raffaella Mangiarotti, Milan (IT)

(73) Assignee: **SMEG S.P.A.** (IT)

(**) Term: **14 Years**

(21) Appl. No.: **29/487,792**

(22) Filed: **Apr. 11, 2014**

(30) **Foreign Application Priority Data**

Oct. 11, 2013 (EM) 002324962

(51) **LOC (10) Cl.** **31-00**

(52) **U.S. Cl.**
USPC **D7/379**; D7/376; D7/384

(58) **Field of Classification Search**
USPC D7/372, 376–386, 412–413, 510, 602,
D7/629, 665–666, 669, 679, 693–694
CPC A21C 1/02; A21C 1/04; A23N 1/00;
A23N 1/02; A47J 43/04; A47J 43/25; A47J
43/27; A47J 43/042; A47J 43/044; A47J
43/046; A47J 43/0711; A47J 43/075; A47J
43/0722; A47J 43/0727; A47J 43/082; B01F
3/00; B01F 3/0807; B01F 3/0853; B01F
13/04; B01F 13/0059; B01F 13/0064; B02C
1/08; B02C 2/04; B02C 4/42; B02C 4/142;
B02C 4/143; B02C 4/423; B02C 13/1835;
B28C 5/10; B28C 5/12; B28C 5/14; B28C
5/16

See application file for complete search history.

(56) **References Cited**

U.S. PATENT DOCUMENTS

4,822,172	A *	4/1989	Stottmann	A47J 43/082 366/142
4,893,942	A *	1/1990	Stottmann	A47J 43/082 366/279
4,900,160	A *	2/1990	Brooks	B01F 13/04 222/570
D322,010	S *	12/1991	Doggett	D10/2
D400,759	S *	11/1998	Doggett	D7/379
D489,569	S *	5/2004	Smith	D7/379
D499,604	S *	12/2004	Hooper	D7/376
D587,962	S *	3/2009	Picozza	D7/379
D616,699	S *	6/2010	Hoare	D7/376
D654,304	S *	2/2012	Bodum	D7/376
8,438,971	B1 *	5/2013	Thurley	A47J 43/044 366/146
D728,304	S *	5/2015	Weaden	D7/376
2012/0081992	A1 *	4/2012	Annis	A47J 43/0711 366/309

* cited by examiner

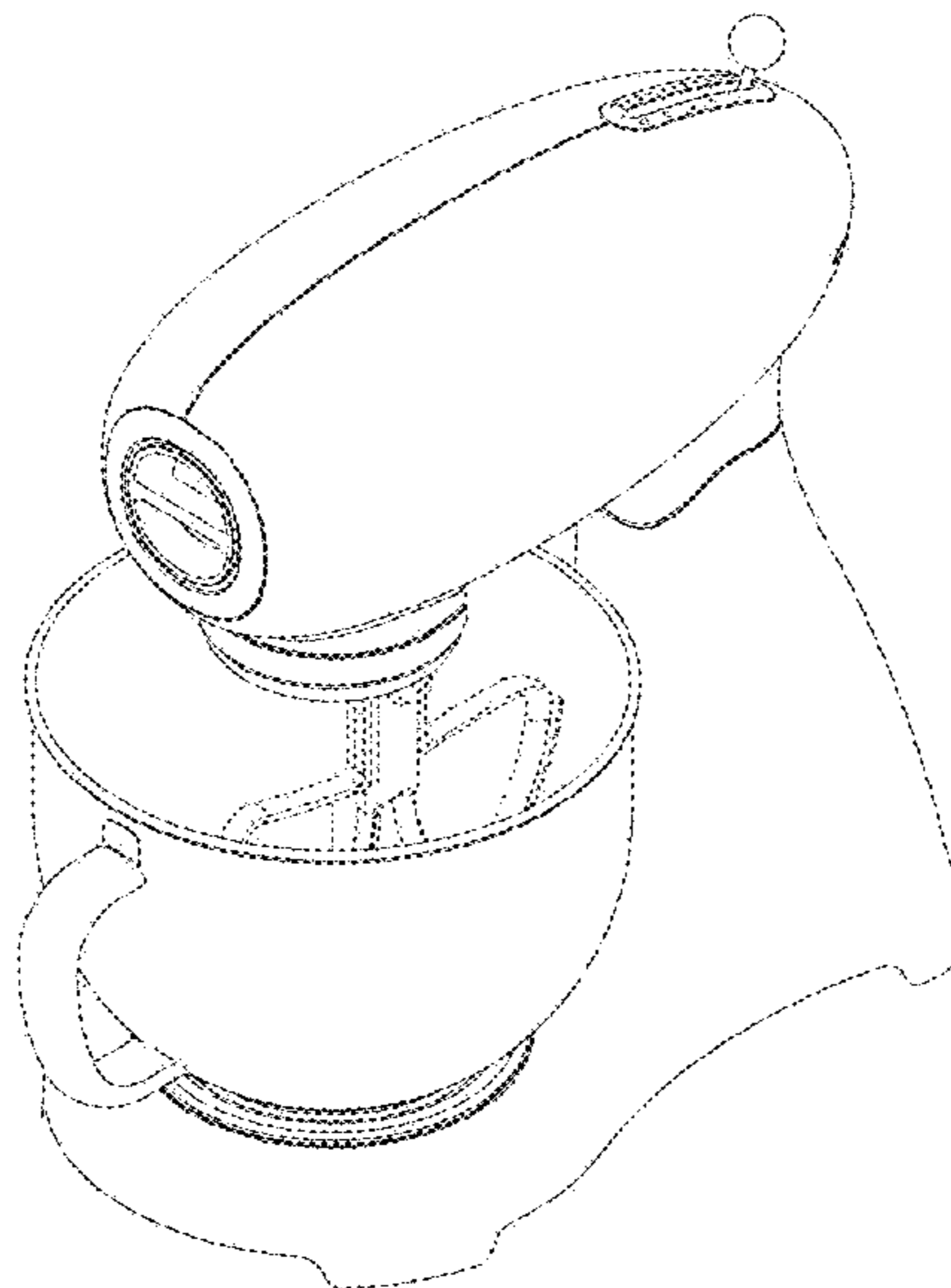
Primary Examiner — Ricky Pham
(74) *Attorney, Agent, or Firm* — The Belles Group, P.C.

(57) **CLAIM**
We claim the ornamental design for a stand mixer, as shown and described.

DESCRIPTION

FIG. 1 is a front-right perspective view of a stand mixer showing the new design;
FIG. 2 is a left-side plan view thereof;
FIG. 3 is a rear plan view thereof;
FIG. 4 is a right-side plan view thereof;
FIG. 5 is a front plan view thereof;
FIG. 6 is a top plan view thereof; and,
FIG. 7 is a bottom plan view thereof.
All broken lines shown in the drawings are for environmental purposes only and form no part of the claimed design.

1 Claim, 7 Drawing Sheets



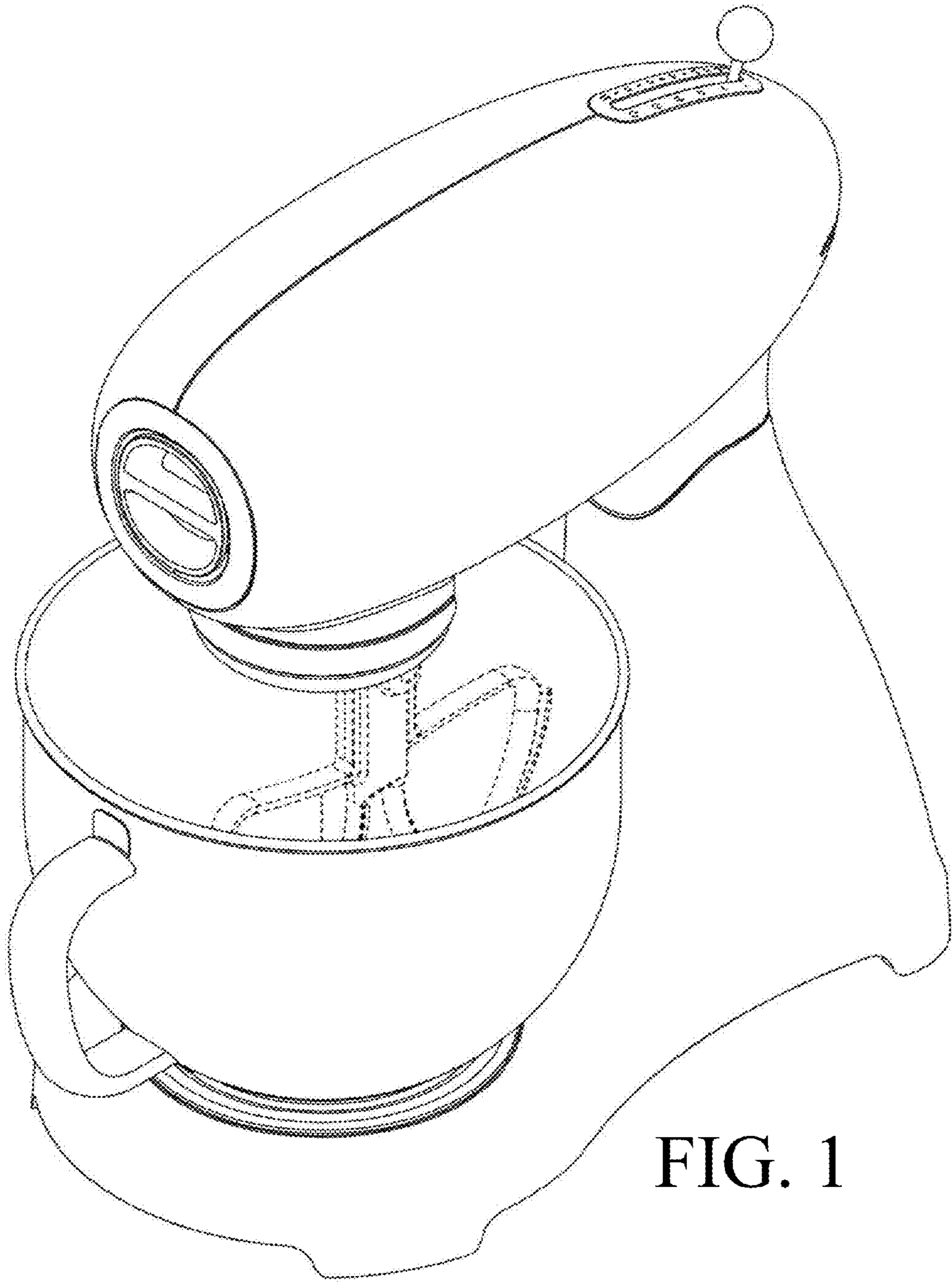


FIG. 1

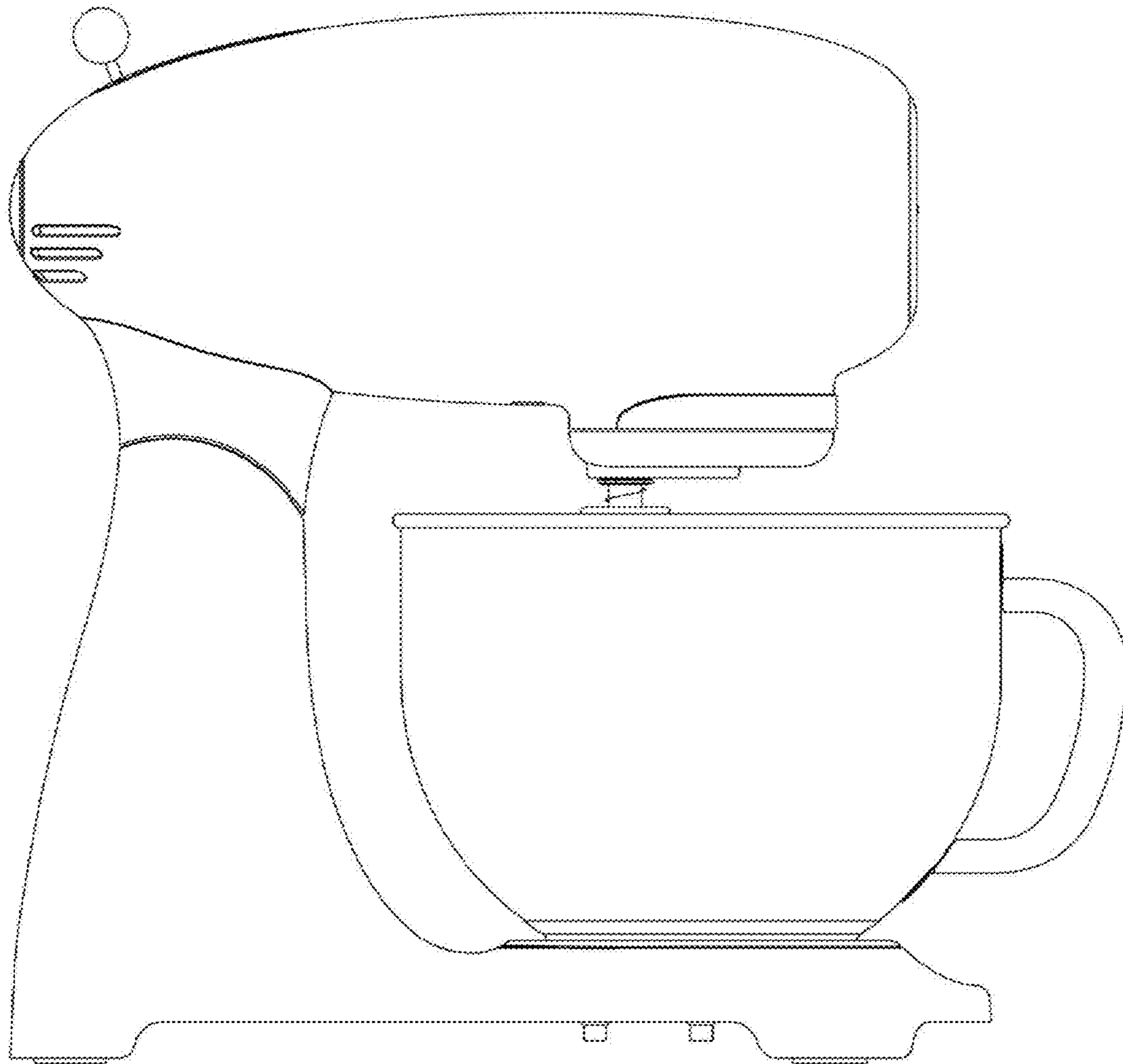


FIG. 2

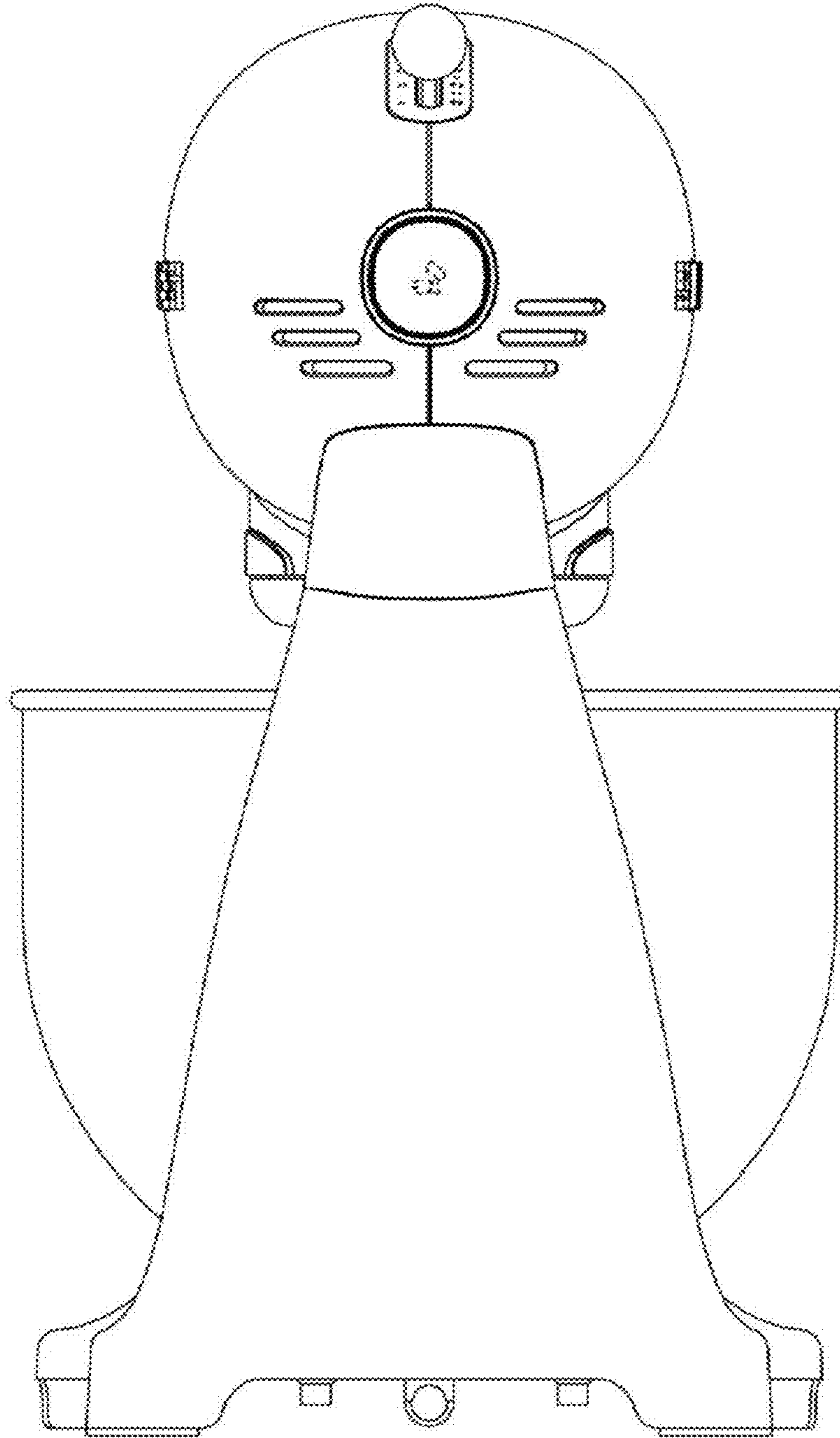


FIG. 3

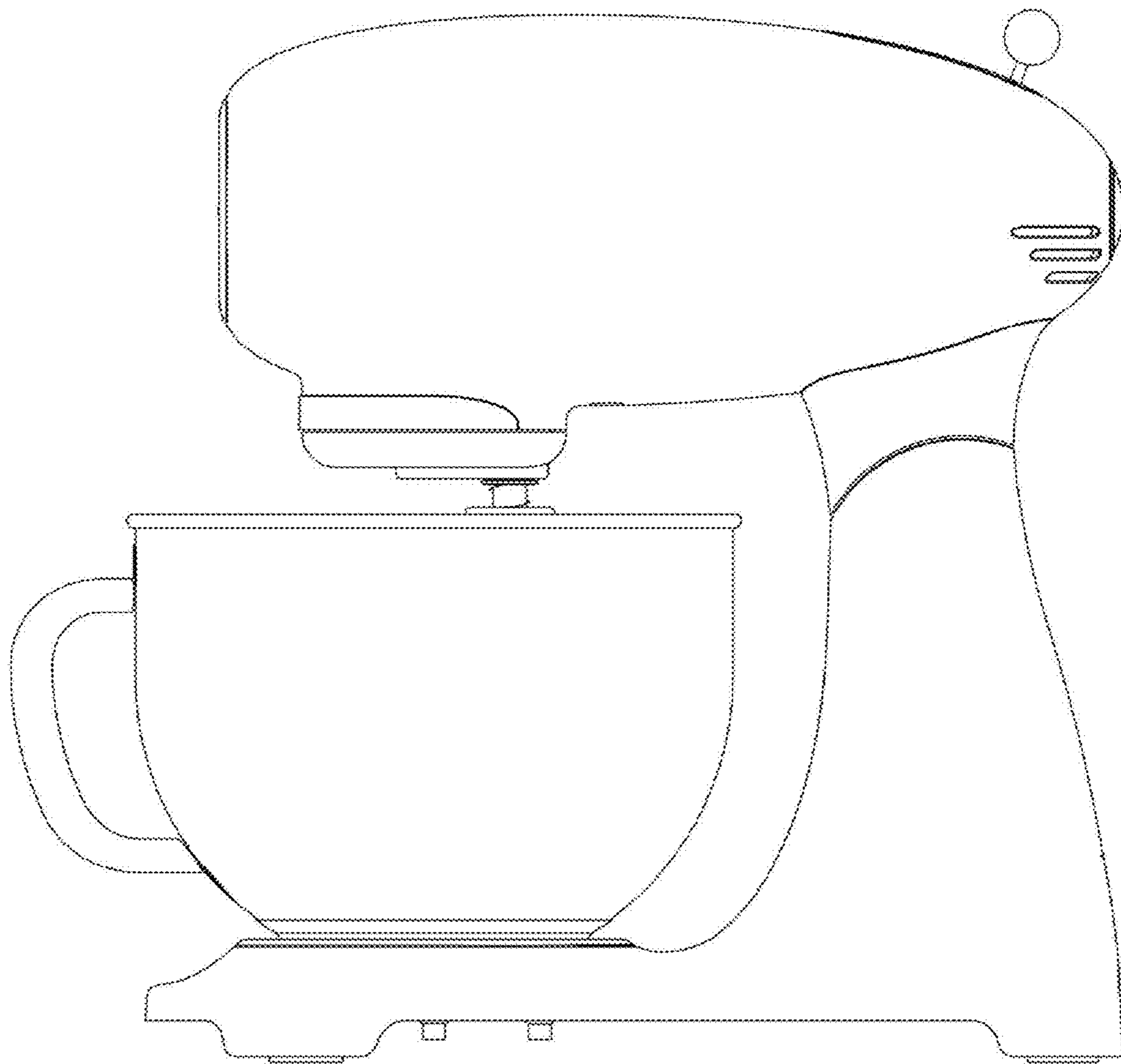


FIG. 4

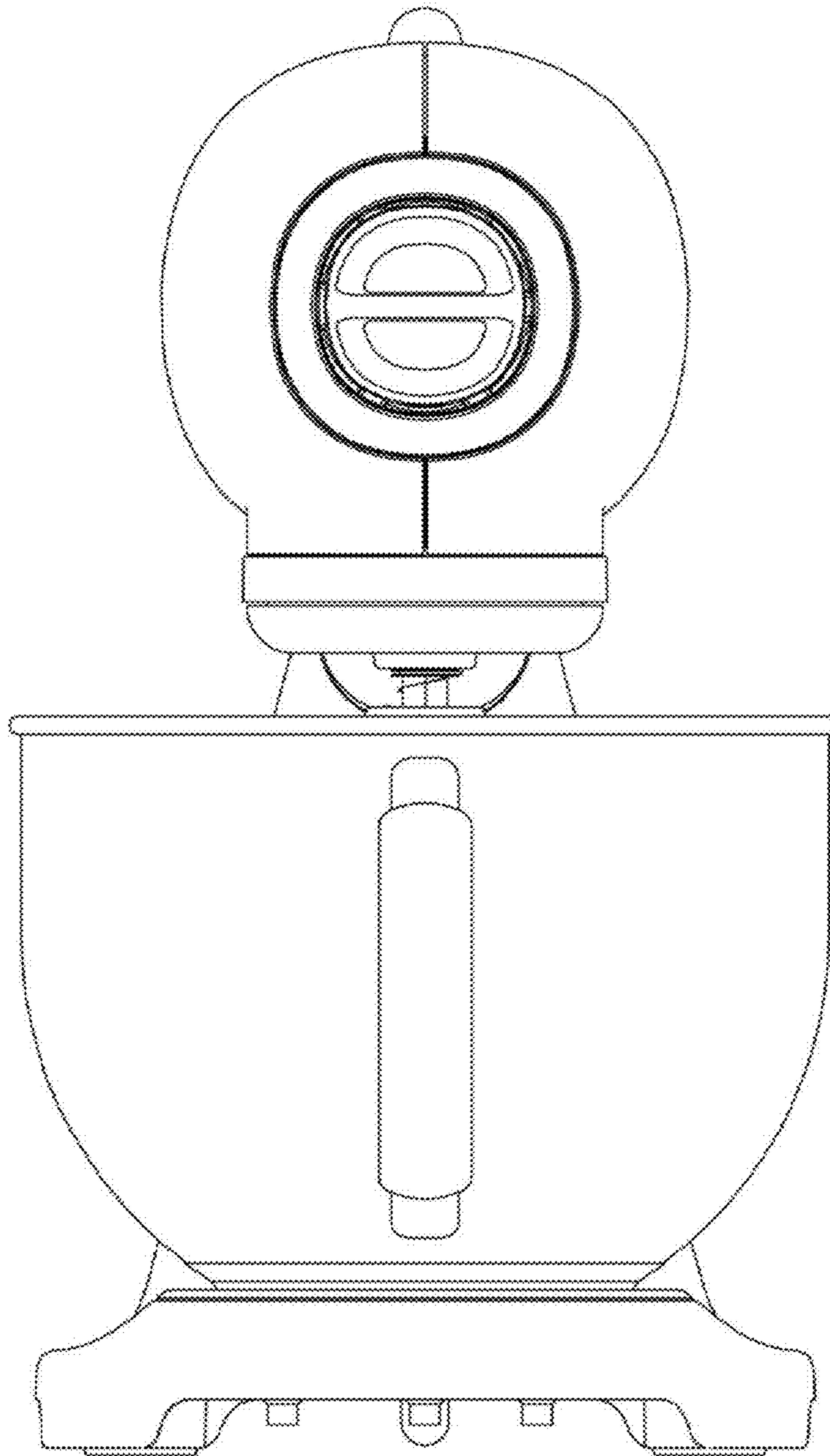


FIG. 5

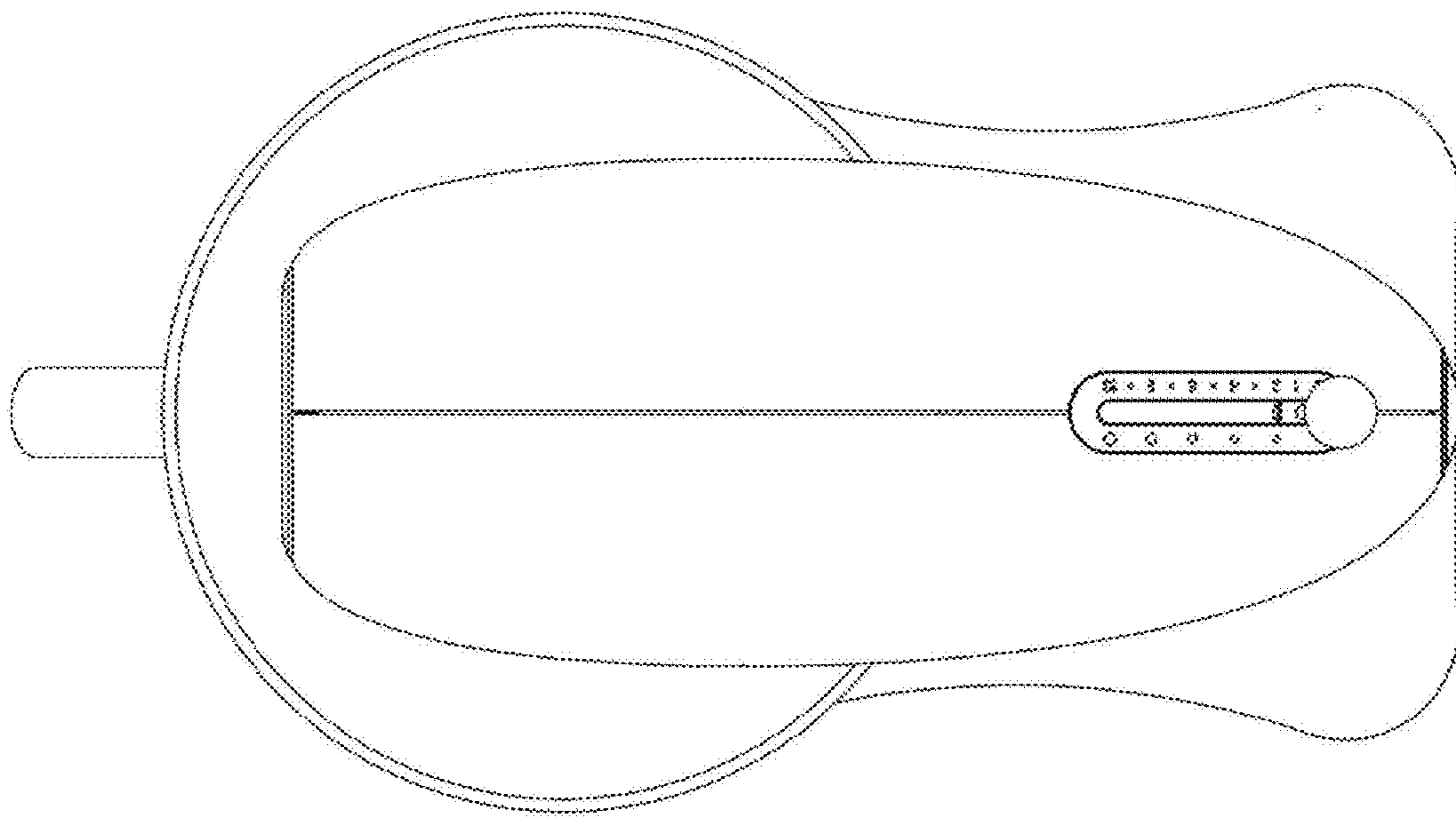


FIG. 6

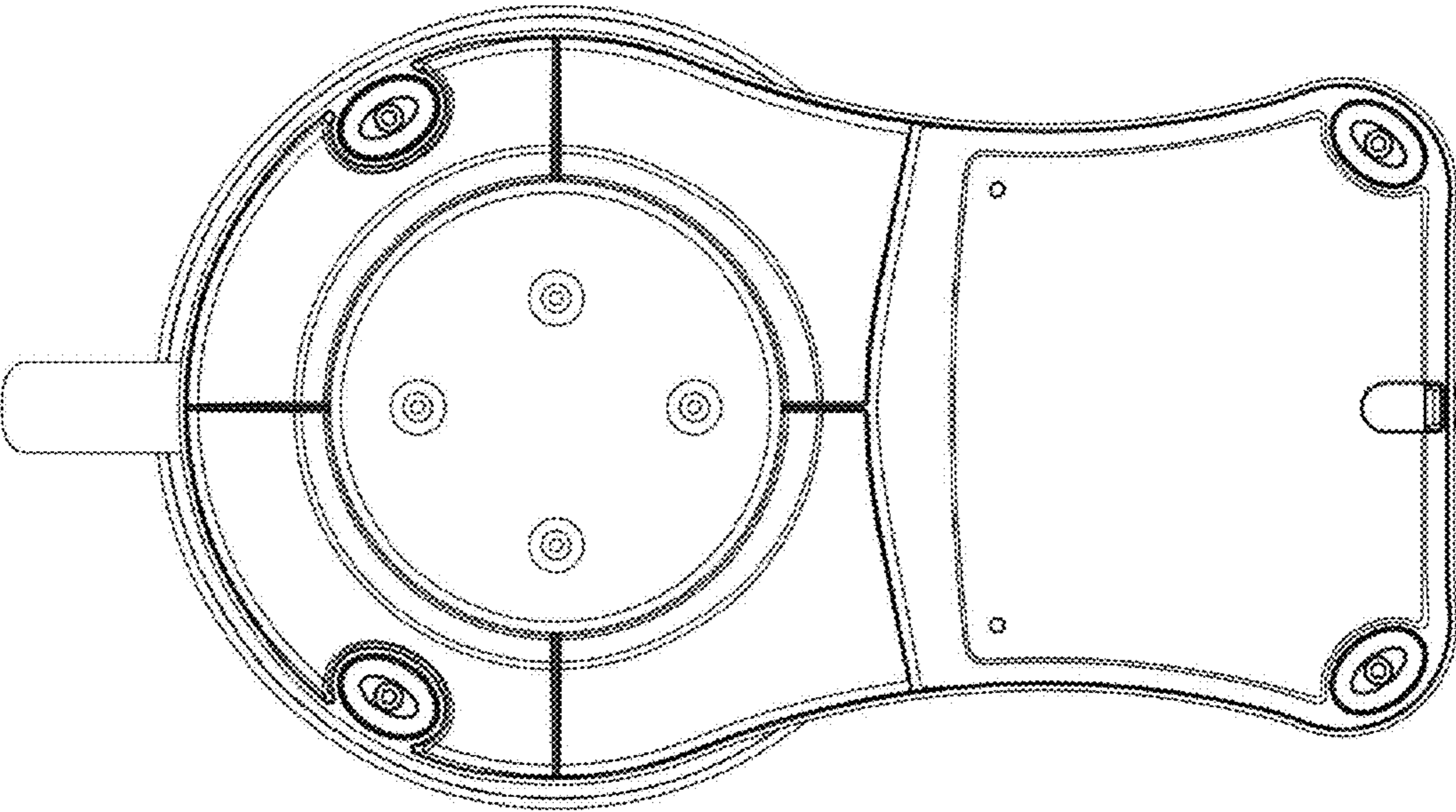


FIG. 7