



US00D753432S

(12) **United States Design Patent**
Gamble et al.

(10) **Patent No.:** **US D753,432 S**
(45) **Date of Patent:** **** Apr. 12, 2016**

- (54) **FOOD WASTE DISPOSER**
- (71) Applicant: **Emerson Electric Co.**, St. Louis, MO (US)
- (72) Inventors: **Kelly T. Gamble**, Waterford, WI (US); **Deborah R. Groshek**, Kenosha, WI (US); **Eric J. Schultz**, Thiensville, WI (US); **Randall E. Hammer**, Muskego, WI (US); **Grey B. Parker**, West Bloomfield, MI (US); **Josiah J. Lacolla**, Madison Heights, MI (US)
- (73) Assignee: **Emerson Electric Co.**, St. Louis, MO (US)
- (**) Term: **14 Years**
- (21) Appl. No.: **29/514,356**
- (22) Filed: **Jan. 12, 2015**
- (51) **LOC (10) Cl.** **31-00**
- (52) **U.S. Cl.**
USPC **D7/375**
- (58) **Field of Classification Search**
USPC D7/311, 372, 375-376, 381-385, 608; D34/39
CPC A61L 11/00; B02C 13/00; B02C 13/02; B02C 13/04; B02C 13/06; B02C 13/2804; B02C 18/00; B02C 18/0076; B02C 18/0084; B02C 18/0092; B02C 2013/2808; B02C 2013/2812; E03C 1/26; E03C 1/266; E03C 1/2665; E03C 1/28; E03C 1/30; E03C 1/302; E03C 1/304
See application file for complete search history.

- D178,854 S 9/1956 Waltman et al.
 - 2,965,318 A 12/1960 Jordan
 - 2,978,190 A 4/1961 Brucken et al.
 - 3,025,007 A 3/1962 Wieczorek
 - 3,026,050 A 3/1962 Bebinger
 - 3,038,172 A * 6/1962 Fritz E03C 1/2665 4/629
 - D194,128 S 11/1962 Hawkins et al.
 - 3,144,213 A 8/1964 Hedlund
- (Continued)

FOREIGN PATENT DOCUMENTS

- CN 00336359.7 5/2001
 - CN 3255269 9/2002
- (Continued)

OTHER PUBLICATIONS

Photos of insinkerator Badger—444, on sale in the United States earlier than Dec. 1, 2010.
(Continued)

Primary Examiner — Ricky Pham
(74) *Attorney, Agent, or Firm* — Harness, Dickey & Pierce, P.L.C.

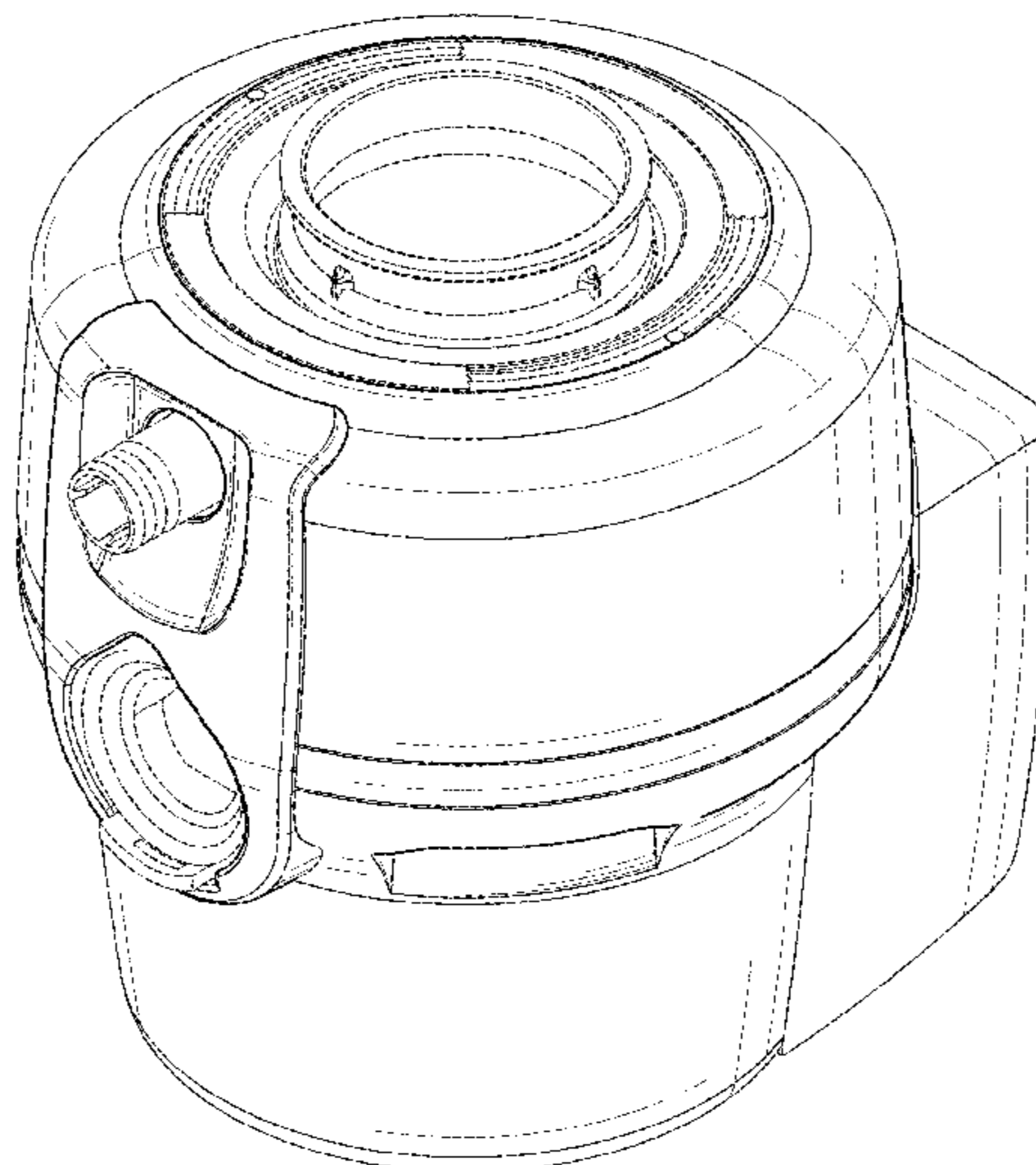
(57) **CLAIM**
The ornamental design for a food waste disposer, as shown and described.

DESCRIPTION

FIG. 1 is a perspective view;
FIG. 2 is a front elevational view;
FIG. 3 is a rear elevational view;
FIG. 4 is a top plan view;
FIG. 5 is a bottom plan view;
FIG. 6 is a left elevational view; and,
FIG. 7 is a right elevational view.
The broken lines in all views are for the purpose of illustration and are not part of the claimed design.

1 Claim, 5 Drawing Sheets

- (56) **References Cited**
U.S. PATENT DOCUMENTS
D109,972 S 6/1938 Anderson et al.
D169,626 S 5/1953 Koslo et al.
D170,874 S 11/1953 Lambert et al.
2,750,121 A 6/1956 Schmidt et al.



(56)

References Cited

U.S. PATENT DOCUMENTS

3,159,354 A 12/1964 Yartz et al.
 3,163,369 A 12/1964 Hogue
 3,165,271 A 1/1965 Enright
 3,194,505 A 7/1965 Spackman
 3,213,720 A * 10/1965 Wallis E03C 1/2665
 81/119
 3,236,462 A * 2/1966 Stout E03C 1/2665
 241/245
 3,246,132 A * 4/1966 Jordan E03C 1/2665
 241/46.015
 D205,750 S * 9/1966 Cornelius D34/39
 D207,918 S * 6/1967 Clark D7/375
 3,335,969 A 8/1967 Egle et al.
 D212,127 S 8/1968 Smith et al.
 3,443,764 A 5/1969 Wetzel
 3,534,913 A * 10/1970 Lawrenson E03C 1/2665
 241/285.2
 D226,028 S 1/1973 Kennedy et al.
 3,739,992 A 6/1973 Bebinger
 3,814,333 A 6/1974 Sapienza
 3,862,720 A 1/1975 Guth
 3,875,462 A 4/1975 Kiefer et al.
 D237,299 S 10/1975 Pitts et al.
 D237,300 S 10/1975 Pitts
 D237,301 S 10/1975 Pitts
 D237,302 S 10/1975 Pitts
 D237,303 S 10/1975 Pitts
 D237,304 S 10/1975 Pitts
 D237,305 S 10/1975 Pitts
 D237,306 S 10/1975 Pitts
 4,128,210 A 12/1978 Brenner et al.
 4,134,555 A * 1/1979 Rosselet E03C 1/2665
 241/191
 4,717,031 A 1/1988 Hewson
 D344,657 S 3/1994 Knopp
 5,340,036 A 8/1994 Riley
 D374,959 S 10/1996 Mull
 5,577,673 A * 11/1996 McMurphy E03C 1/2665
 241/33
 5,795,062 A 8/1998 Johnson
 5,856,173 A 1/1999 Riley et al.
 6,007,006 A 12/1999 Engel et al.
 D419,362 S 1/2000 Bouhuys
 D426,421 S 6/2000 Hirsch et al.
 D430,987 S 9/2000 Brandel et al.
 D431,153 S 9/2000 Brandel et al.
 D431,751 S 10/2000 Cahen
 D431,752 S * 10/2000 Brandel 241/46.013
 D436,496 S 1/2001 Anderson et al.
 D443,792 S 6/2001 Peters et al.
 D451,755 S 12/2001 Brandel et al.
 D452,110 S 12/2001 Brandel et al.
 D454,467 S 3/2002 Magermans et al.
 D455,603 S 4/2002 Brandel et al.
 D455,604 S 4/2002 Brandel et al.
 6,439,487 B1 8/2002 Anderson et al.
 6,481,652 B2 11/2002 Strutz et al.
 D474,365 S 5/2003 Valentino
 D486,797 S 2/2004 Anderson et al.
 6,783,034 B1 8/2004 Brent
 7,048,213 B2 5/2006 Strutz et al.
 7,100,850 B2 9/2006 Farmerie
 D534,760 S 1/2007 Patterson et al.
 D534,761 S 1/2007 Patterson et al.
 D535,142 S 1/2007 Patterson et al.
 D535,518 S 1/2007 Patterson et al.
 D535,850 S 1/2007 Patterson et al.

D536,211 S 2/2007 Jara-Almonte et al.
 D537,673 S 3/2007 Anderson et al.
 D539,078 S 3/2007 Anderson et al.
 D542,594 S 5/2007 Jara-Almonte et al.
 D542,595 S 5/2007 Jara-Almonte et al.
 7,331,539 B2 2/2008 Jara-Almonte et al.
 D588,862 S 3/2009 Saeed et al.
 D593,354 S 6/2009 Romandy
 7,578,460 B2 8/2009 Berger
 7,654,480 B2 2/2010 Baer et al.
 7,918,411 B2 4/2011 Anderson et al.
 7,963,469 B2 6/2011 Hanson
 7,971,810 B2 7/2011 Hirsch et al.
 D654,302 S 2/2012 Shepherd
 8,146,843 B2 4/2012 Ye et al.
 8,220,731 B2 7/2012 Berger et al.
 D684,003 S 6/2013 Bennage et al.
 D684,004 S 6/2013 Koparde et al.
 D684,005 S 6/2013 Mahale et al.
 D706,572 S 6/2014 Gamble et al.
 D716,102 S * 10/2014 Morales D7/608
 D725,864 S * 3/2015 Sonzogni D34/39
 9,175,461 B2 * 11/2015 Bewley, Jr. E03C 1/266
 2002/0104909 A1 8/2002 Strutz
 2002/0170990 A1 11/2002 Anderson et al.
 2004/0256506 A1 12/2004 Berger

FOREIGN PATENT DOCUMENTS

CN 3306017 7/2003
 CN 3358455 3/2004
 CN 3466796 8/2005
 CN 301123447 1/2010
 CN 301456820 2/2011
 CN 301456821 2/2011
 CN 301464004 2/2011

OTHER PUBLICATIONS

Photos of insinkerator Badger—555, on sale in the United States earlier than Dec. 1, 2010.
 Photos of insinkerator Badger—777, on sale in the United States earlier than Dec. 1, 2010.
 Photos of insinkerator Badger 5 Plus, on sale in the United States earlier than Dec. 1, 2010.
 Photos of insinkerator Contractor 333, on sale in the United States earlier than Dec. 1, 2010.
 Photos of Evergrind E303, on sale in the United States earlier than Dec. 1, 2010.
 Photos of Evergrind E404, on sale in the United States earlier than Dec. 1, 2010.
 Insinkerator—“The Practical Idea That Built a Powerful Brand”, Emerson Appliance Solutions—© 2008.
 Photos of insinkerator Foodservice LC-50, on sale in the United States earlier than Dec. 1, 2010.
 ShinMaywa Corporation DH150SW, Dec. 1, 2003.
 White Westinghouse International Series Heavy-Duty Food Waste Disposer, Dec. 2006.
 GFC1000Y Spec Sheet, Jul. 1997.
 GFC700Y Spec Sheet, Jul. 1997.
 GFC705Y Spec Sheet, Jul. 1997.
 GFC300Y Product Brochure, Jun. 2000.
 GFC800Y Spec Sheet, Jul. 1997.
 GFC290Y Spec Sheet, Jul. 1997.
 GFC295Y Product Brochure, Jun. 2000.
 GFB1050V Spec Sheet, Mar. 1996.

* cited by examiner

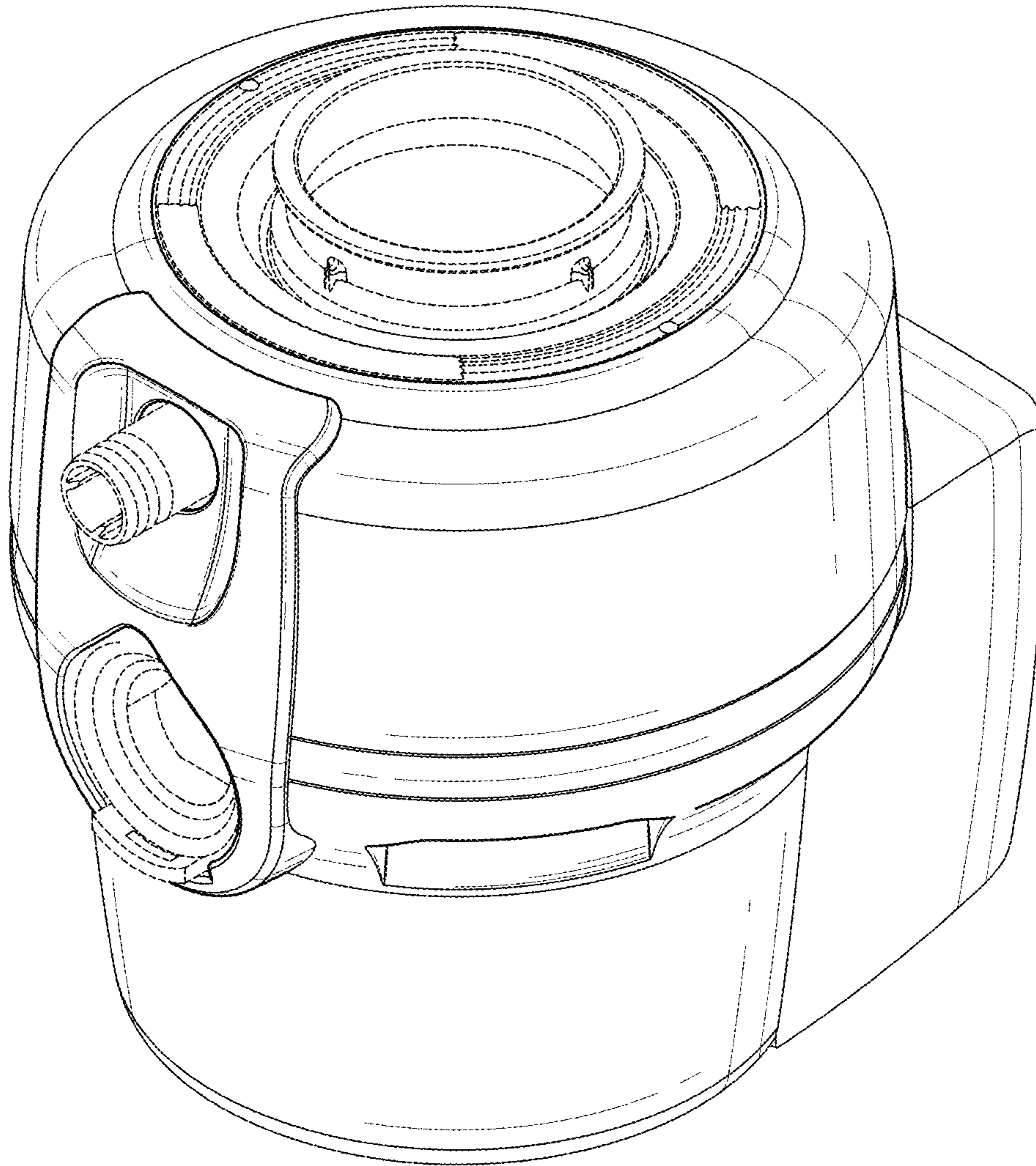


Fig-1

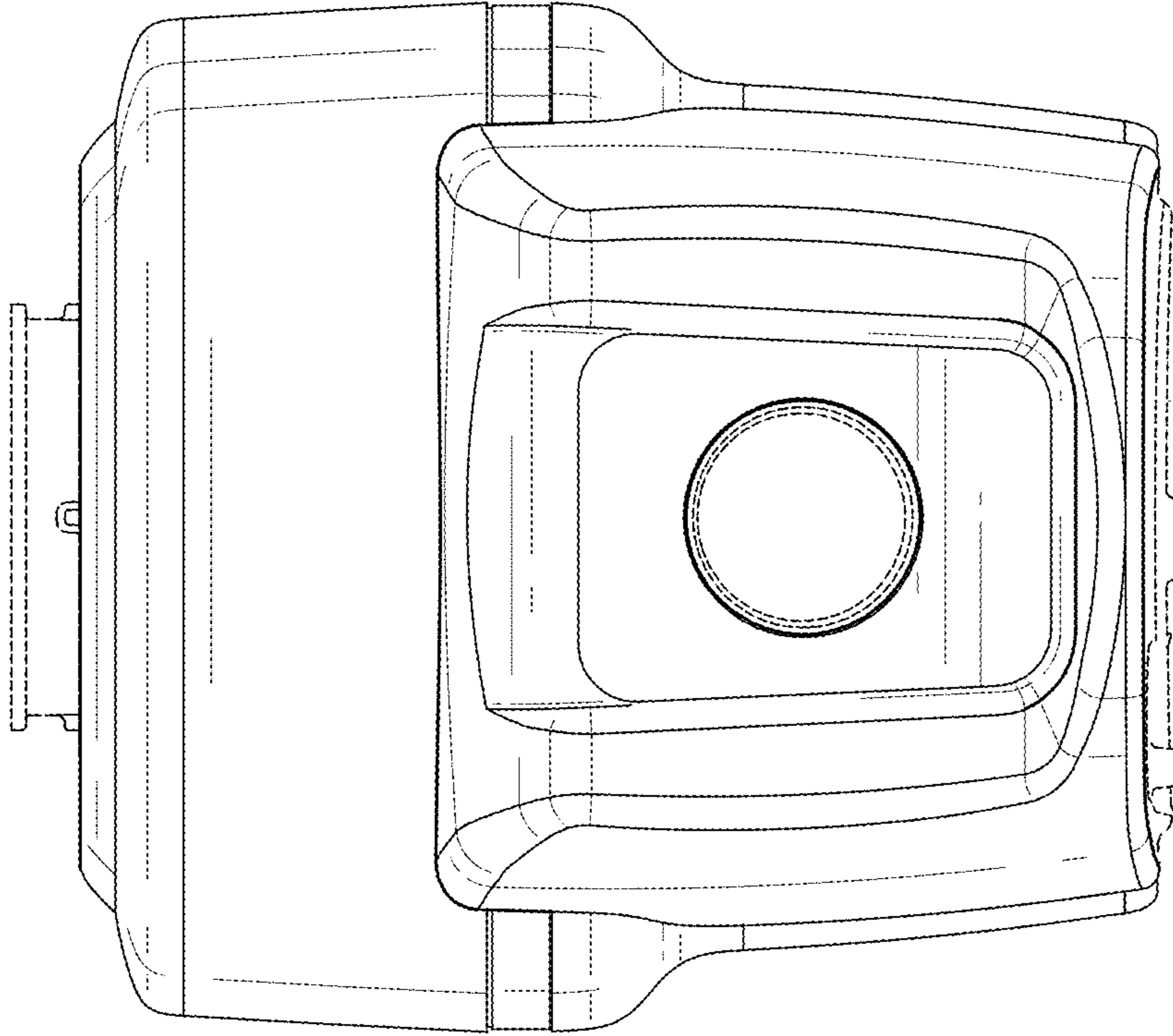


Fig-3

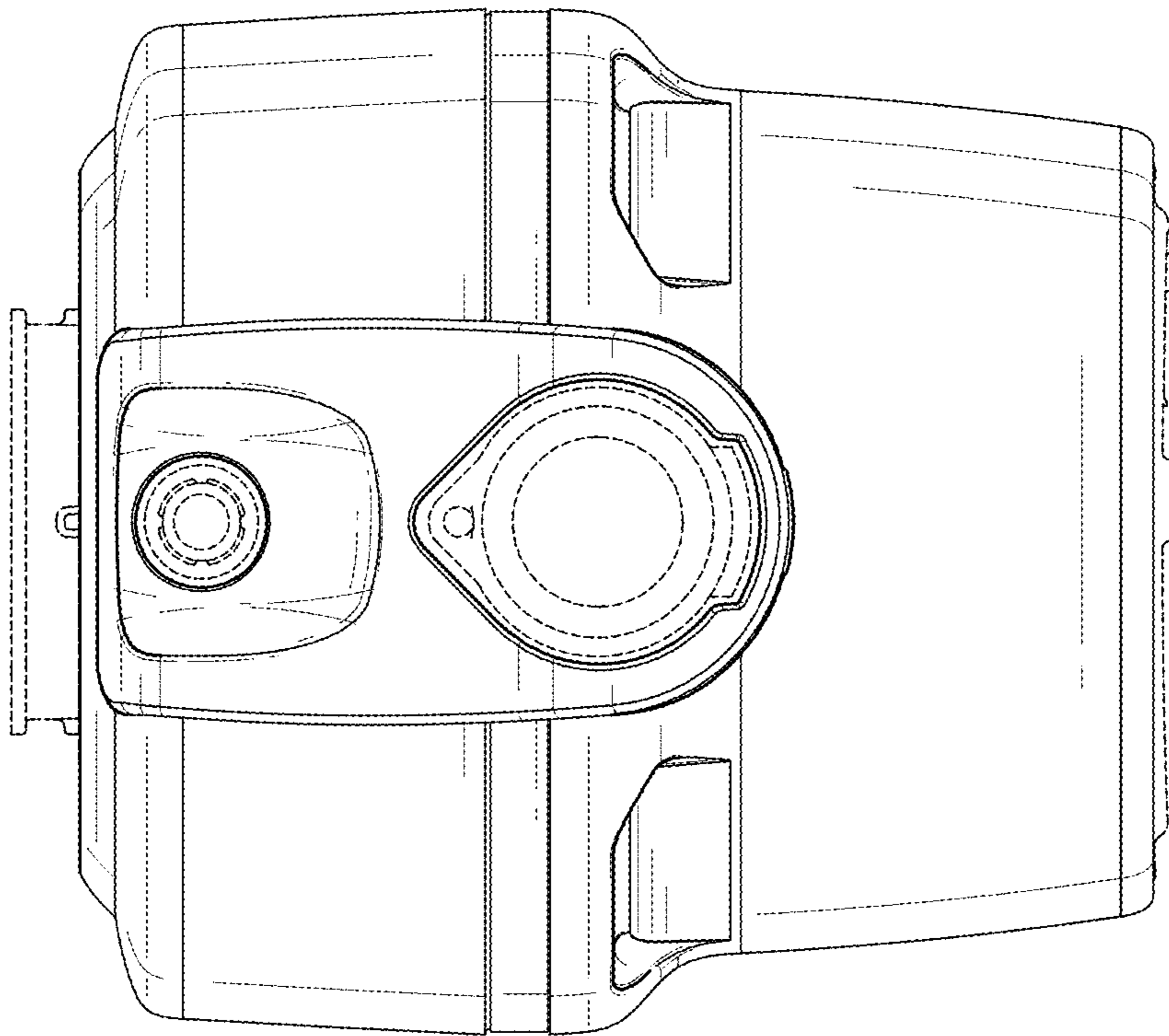


Fig-2

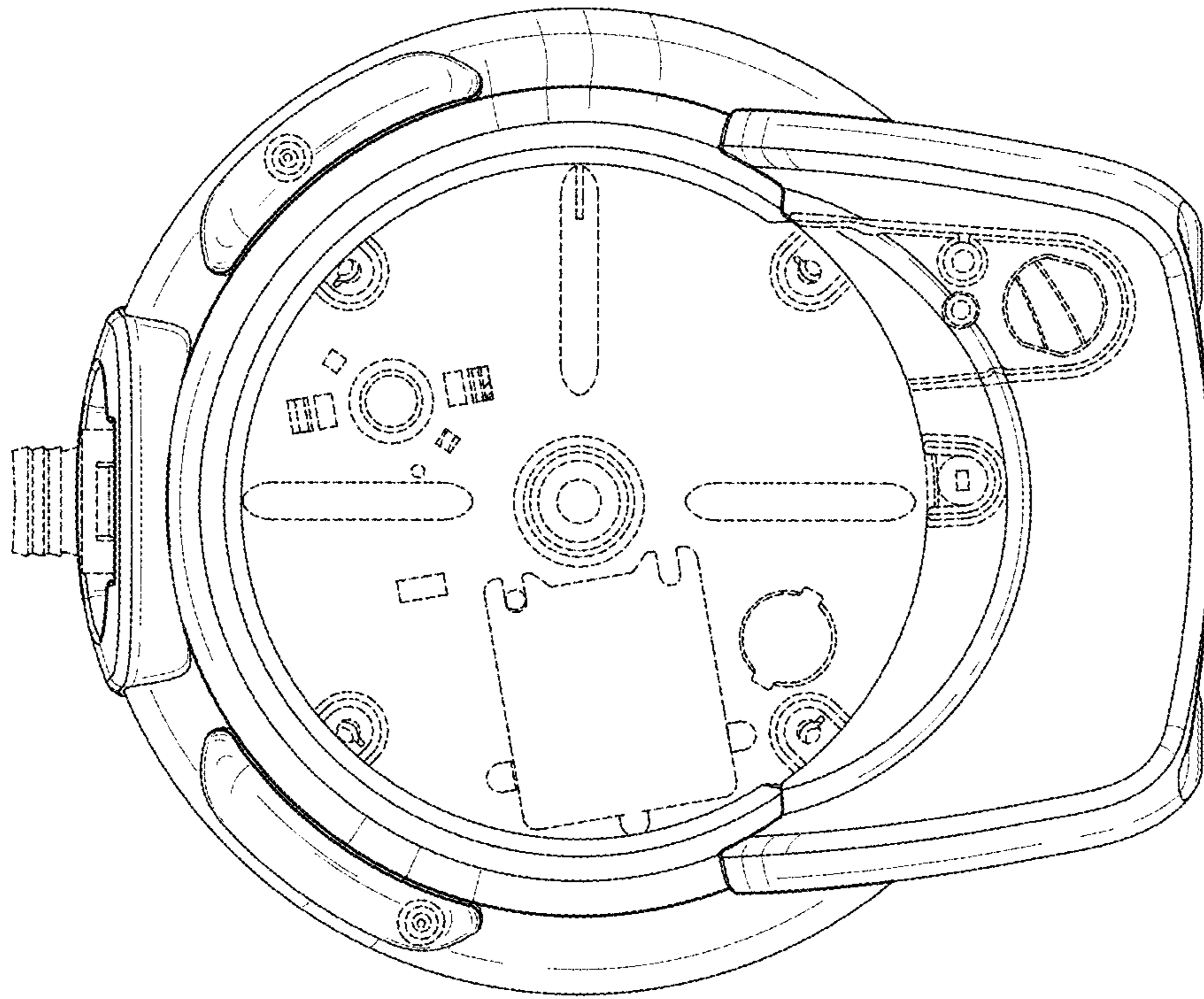


Fig-5

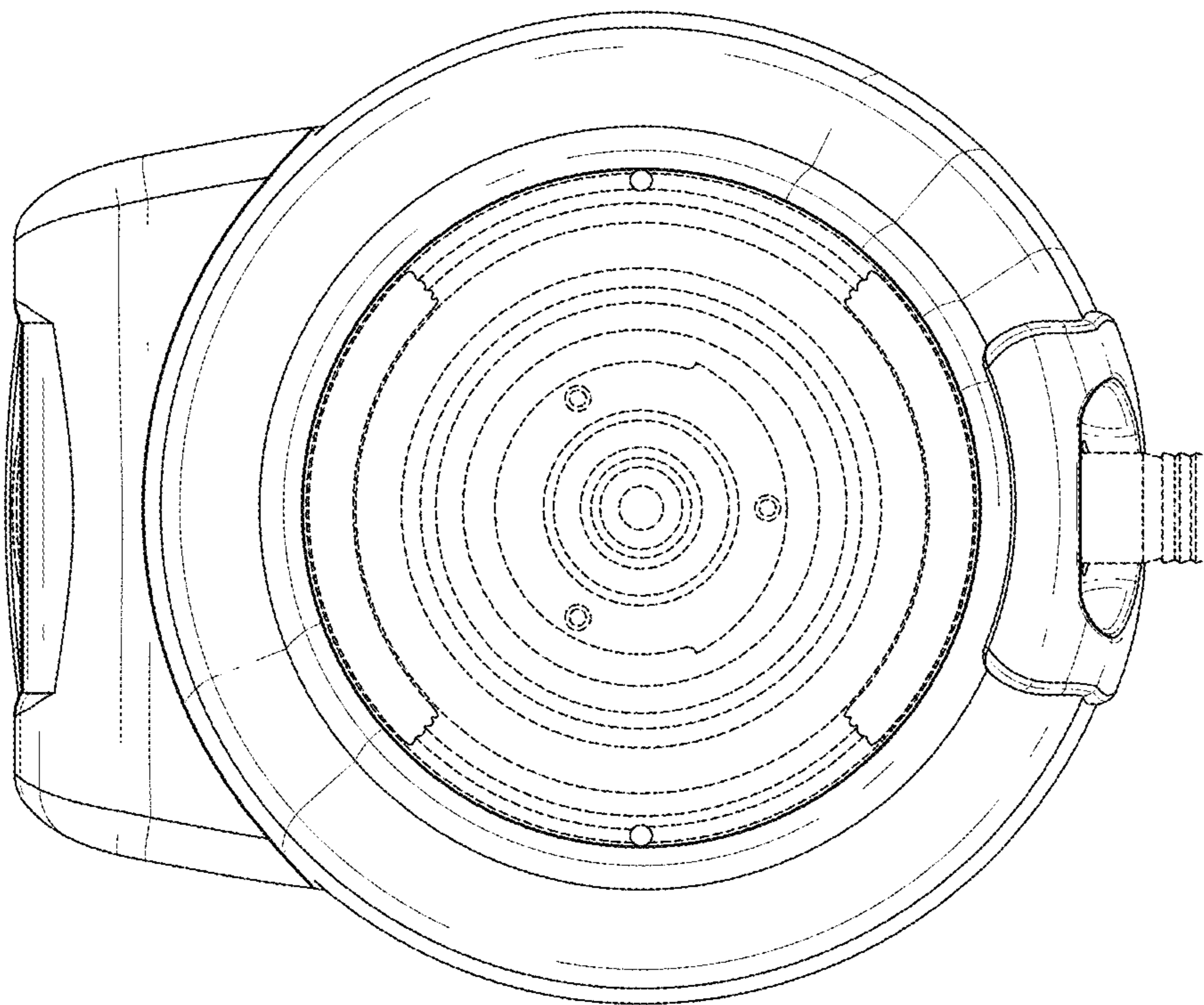


Fig-4

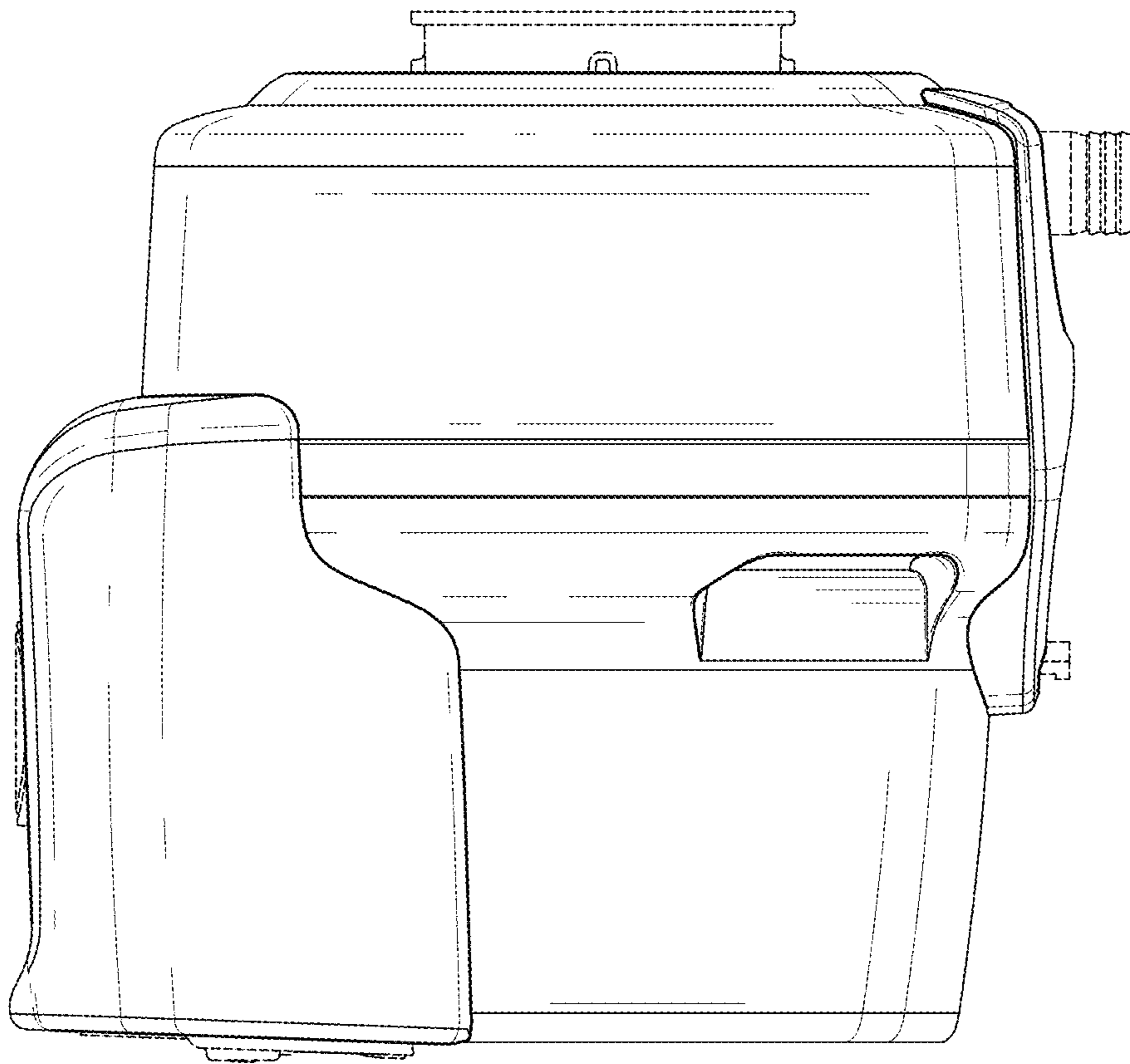


Fig-6

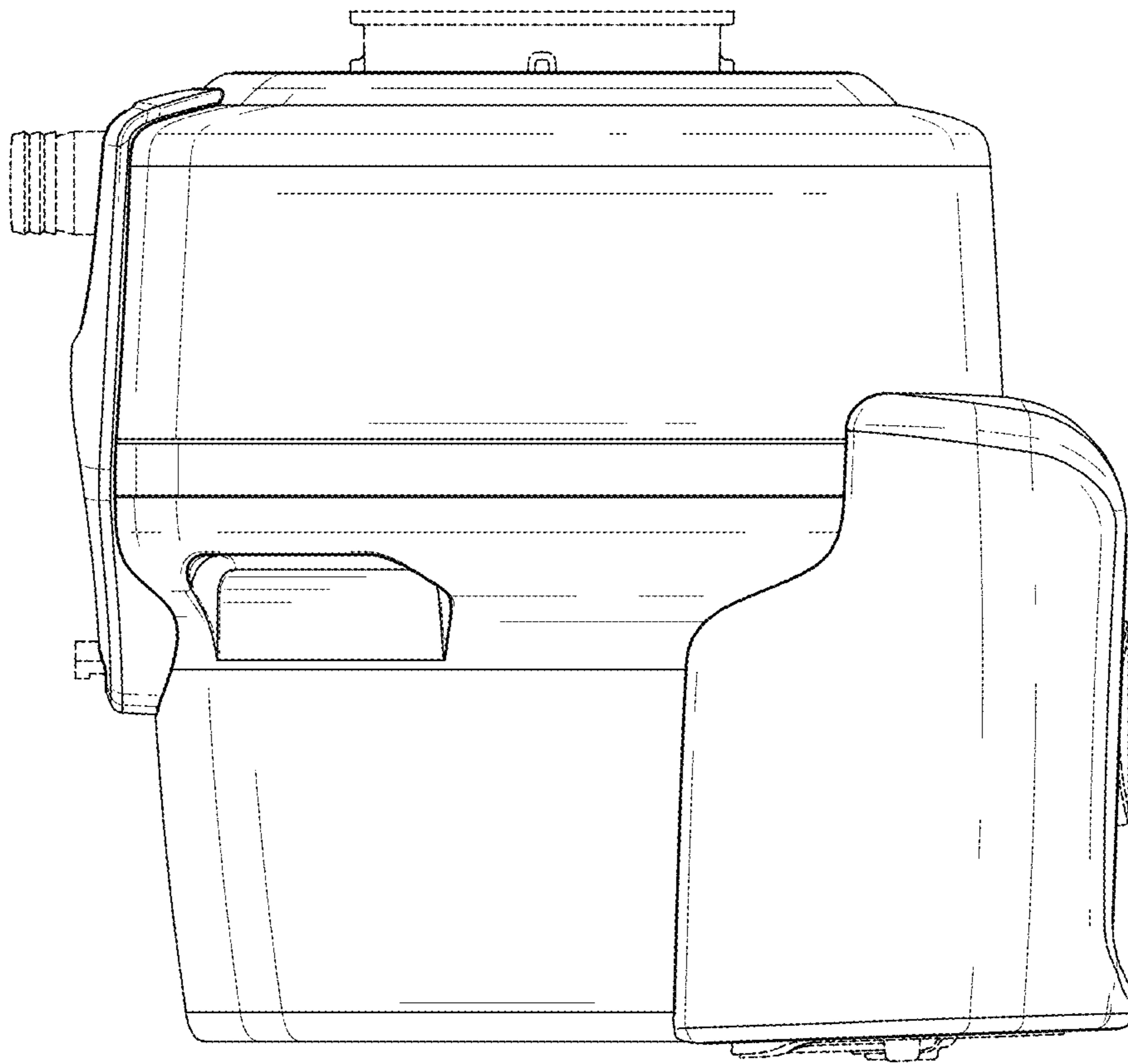


Fig-7