



US00D753430S

(12) **United States Design Patent**
Wagner

(10) **Patent No.:** **US D753,430 S**
(45) **Date of Patent:** **** Apr. 12, 2016**

(54) **OUTDOOR COOKER**

(71) Applicant: **W.C. Bradley Co.**, Columbus, GA (US)

(72) Inventor: **Wesley J. Wagner**, Columbus, GA (US)

(73) Assignee: **W.C. Bradley Co.**, Columbus, GA (US)

(**) Term: **14 Years**

(21) Appl. No.: **29/494,389**

(22) Filed: **Jun. 19, 2014**

(51) **LOC (10) Cl.** **07-02**

(52) **U.S. Cl.**
USPC **D7/334**

(58) **Field of Classification Search**
USPC D7/332, 334–337, 402–405, 417, 338,
D7/348; 126/275 E; D9/433
CPC A47J 37/0704; A47J 37/0763; A47J
37/0745; A47J 37/0713; A47J 37/0768;
A47J 37/079; A47J 36/26; A47J 39/00;
F24B 1/205; F24B 1/02; F24B 15/04; F24C
3/14; F24C 3/027; F24C 15/08; F47J 33/00;
B65D 7/26; B65D 7/24; B65D 85/1045;
B65D 85/18; A23B 4/052
See application file for complete search history.

(56) **References Cited**

U.S. PATENT DOCUMENTS

4,453,530	A	6/1984	Schlosser	
4,498,452	A	2/1985	Schlosser et al.	
4,777,927	A	10/1988	Stephen et al.	
D427,840	S	7/2000	Pai	
D460,657	S *	7/2002	Bossler	D7/334
D471,056	S *	3/2003	Pai	D7/334
D496,821	S *	10/2004	Pai	D7/334
D505,824	S *	6/2005	Nipke	D7/334
D507,926	S *	8/2005	Zhang	D7/334
D507,927	S *	8/2005	Nipke	D7/334
D508,365	S *	8/2005	Nipke	D7/334
D516,366	S *	3/2006	Nipke	D7/334

D525,818	S *	8/2006	Chung	D7/332
D528,847	S *	9/2006	Chung	D7/334
D618,486	S	6/2010	Bruno et al.	
D623,003	S *	9/2010	Chung	D7/334
8,399,810	B2	3/2013	Ahmed	

(Continued)

OTHER PUBLICATIONS

Weber Smokey Joe grill, believed to be marketed at least prior to Jun. 19, 2014, photo submitted and also viewable at <http://www.weber.com/grills/series/smokey-joe>.

(Continued)

Primary Examiner — Ruth McInroy

(74) *Attorney, Agent, or Firm* — David G. Woodral; Fellers, Snider, Blankenship, Bailey & Tippens, P.C.

(57) **CLAIM**

The ornamental design for an outdoor cooker, as shown and described.

DESCRIPTION

FIG. 1 is a right side perspective view of the outdoor cooker of the invention.

FIG. 2 is a left side perspective view of the outdoor cooker of the invention.

FIG. 3 is a left side level view of the outdoor cooker of the invention.

FIG. 4 is a front level view of the outdoor cooker of the invention.

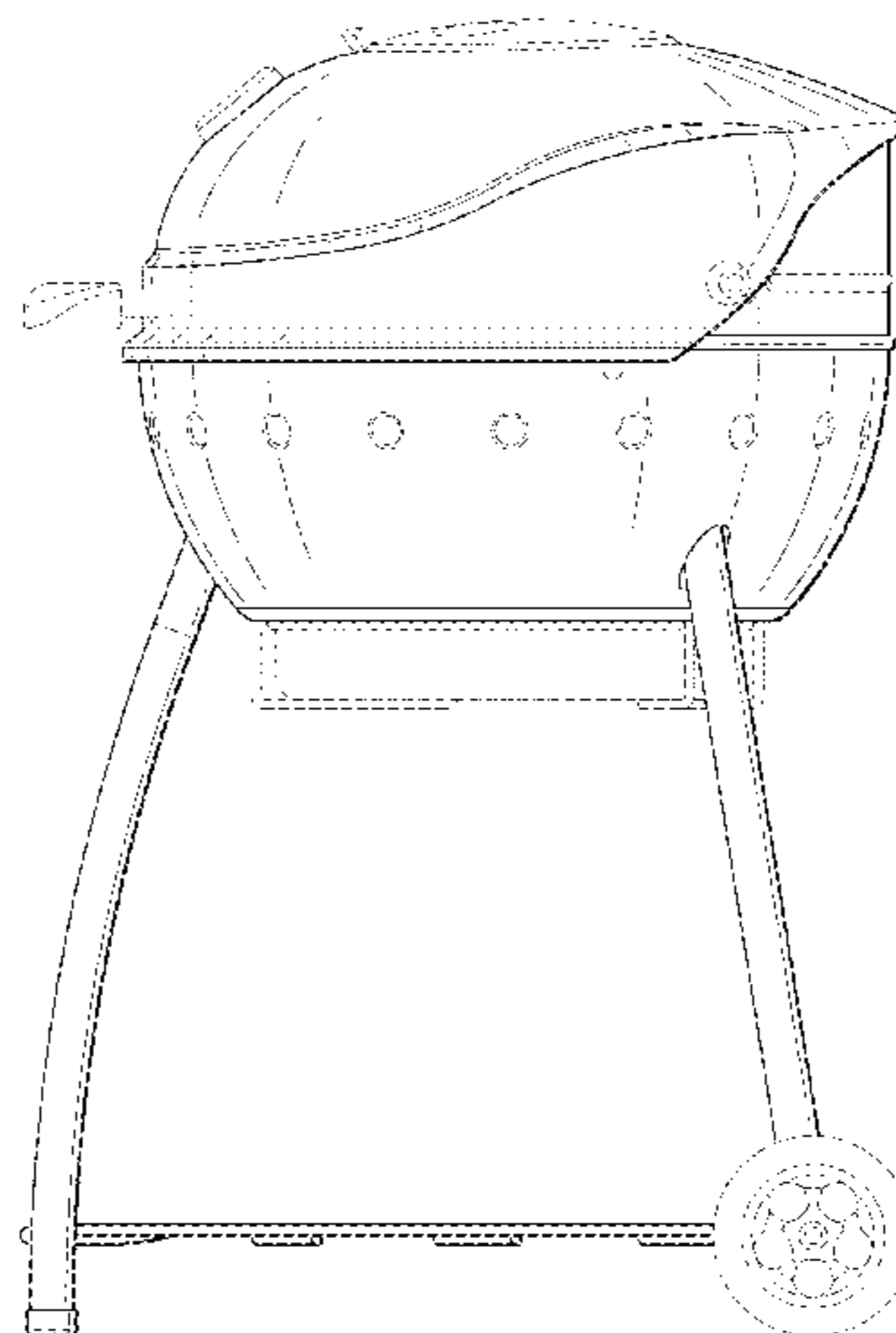
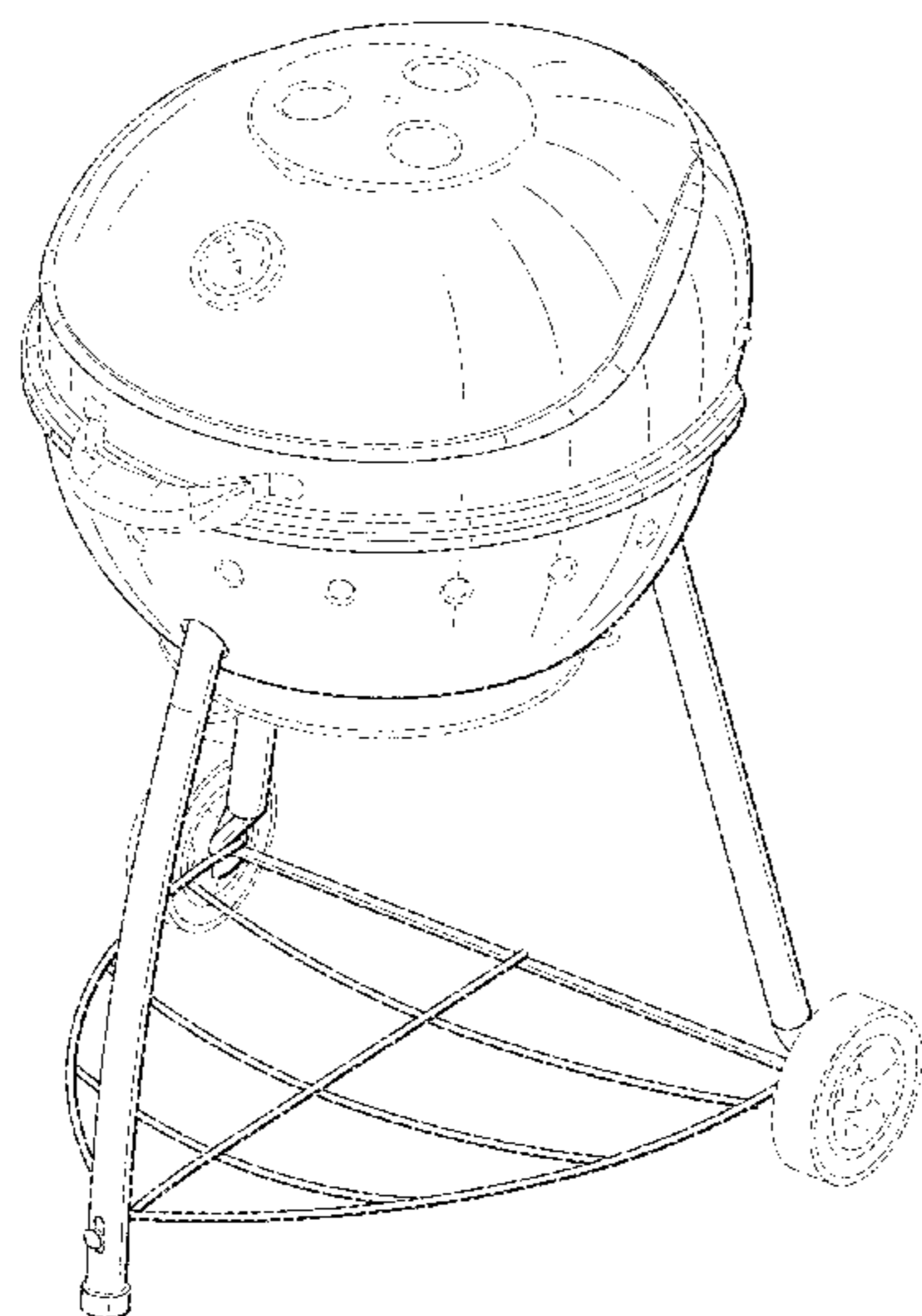
FIG. 5 is a right side level view of the outdoor cooker of the invention.

FIG. 6 is a rear level view of the outdoor cooker of the invention; and,

FIG. 7 is a superior view of the outdoor cooker of the invention.

The broken lines in the drawings of the outdoor cooker design are for environmental illustration only and form no part of the claimed design.

1 Claim, 7 Drawing Sheets



(56)

References Cited

U.S. PATENT DOCUMENTS

D717,094 S * 11/2014 Chung D7/334
D717,095 S * 11/2014 Chung D7/334
2014/0165993 A1* 6/2014 Ahmed A47J 37/0704
126/25 R

OTHER PUBLICATIONS

Weber One-Touch grill, believed to be marketed at least prior to Jun. 19, 2014, photo submitted and also viewable at <http://www.weber.com/grills/series/one-touch>.

Weber Performer grill, believed to be marketed at least prior to Jun. 19, 2014, photo submitted and also viewable at <http://www.weber.com/grills/series/performer>.

Weber Ranch Kettle grill, believed to be marketed at least prior to Jun. 19, 2014, photo submitted and also viewable at <http://www.weber.com/grills/series/ranch-kettle/ranch-kettle>.

Char-Broil TRU-Infrared Patio Bistro Gas 240—Model 14601997, on sale prior to Jun. 19, 2014, photo submitted and also viewable at <http://www.charbroil.com/grills/gas-grills/patio-bistro/patio-bistro-240-tru-infrared-gas-grill-black-14601997.html>.

Char-Broil TRU-Infrared Gas Patio Bistro- Model 14601897 <http://www.charbroil.com/grills/gas-grills/patio-bistro/infrared-gas-patio-bistro-14601897.html>.

Stok Drum charcoal grill, believed to be marketed at least prior to 6/19/20014, photo submitted and also viewable at <http://www.stokgrills.com/grills/drum.php>.

Stok Island gas grill, believed to be marketed at least prior to 6/19/20014, photo submitted and also viewable at <http://www.stokgrills.com/grills/island.php>.

Stok Tower grill, believed to be marketed at least prior to 6/19/20014, photo submitted and also viewable at <http://www.stokgrills.com/grills/tower.php>.

* cited by examiner

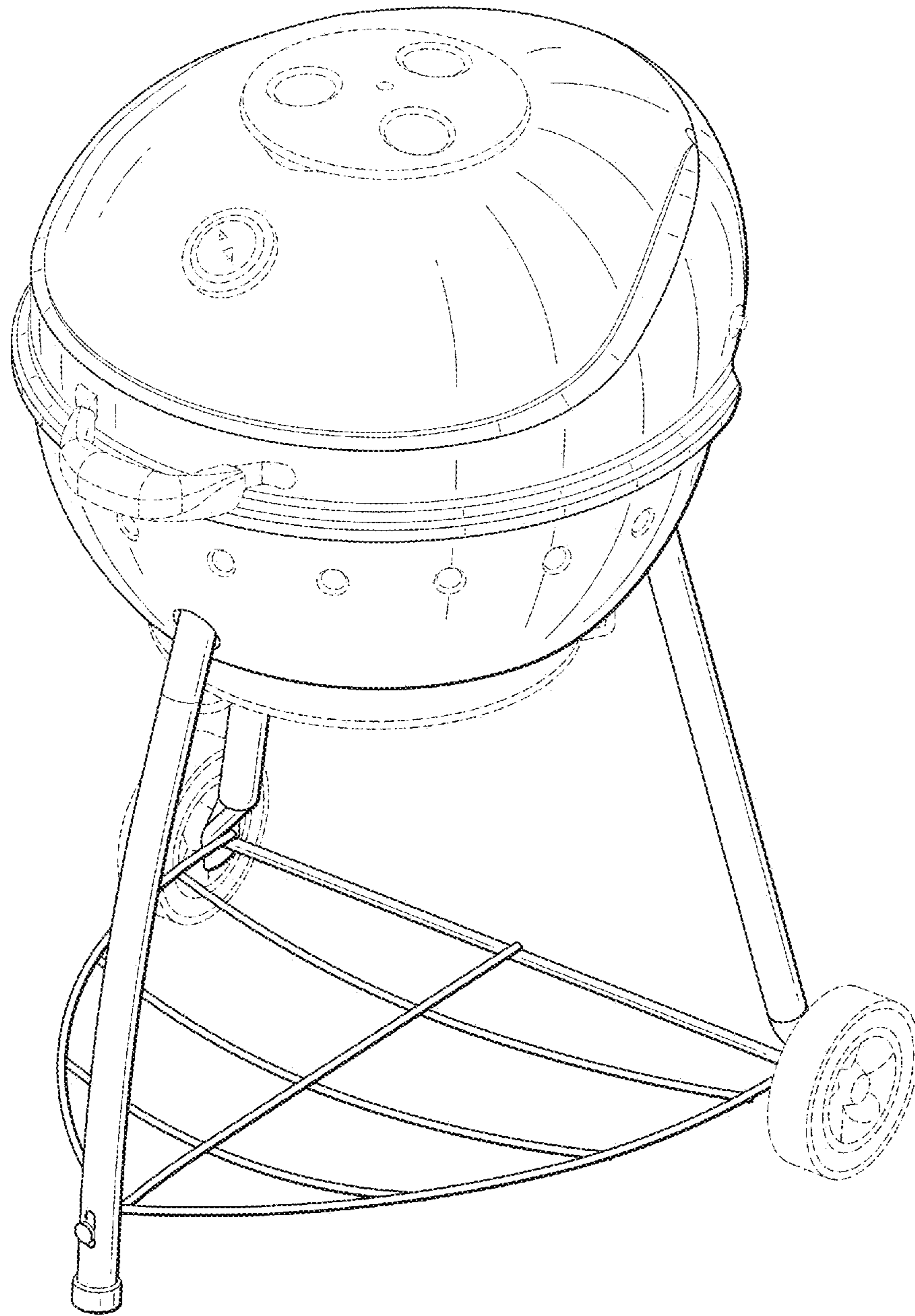


FIG. 1

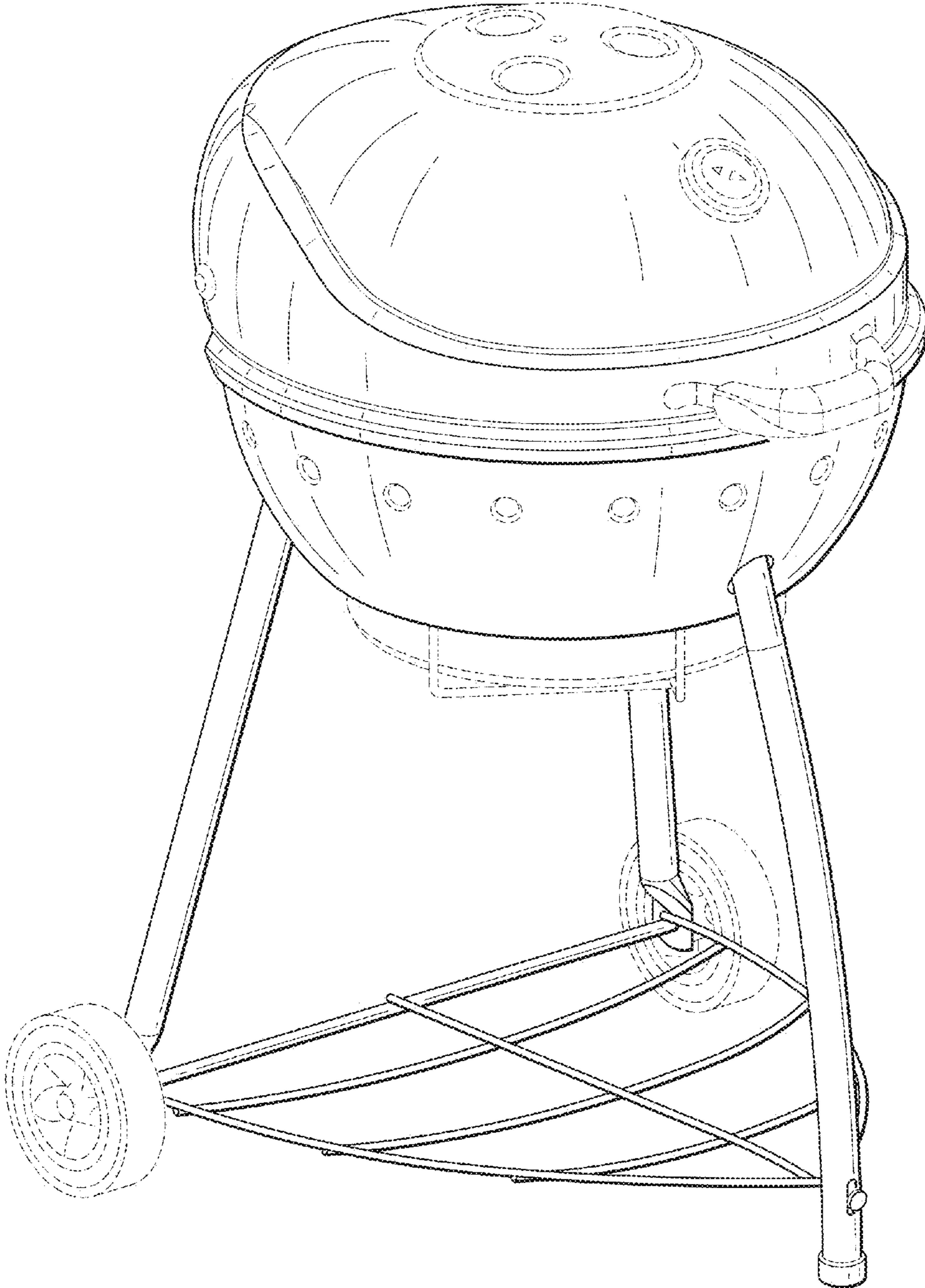


FIG. 2

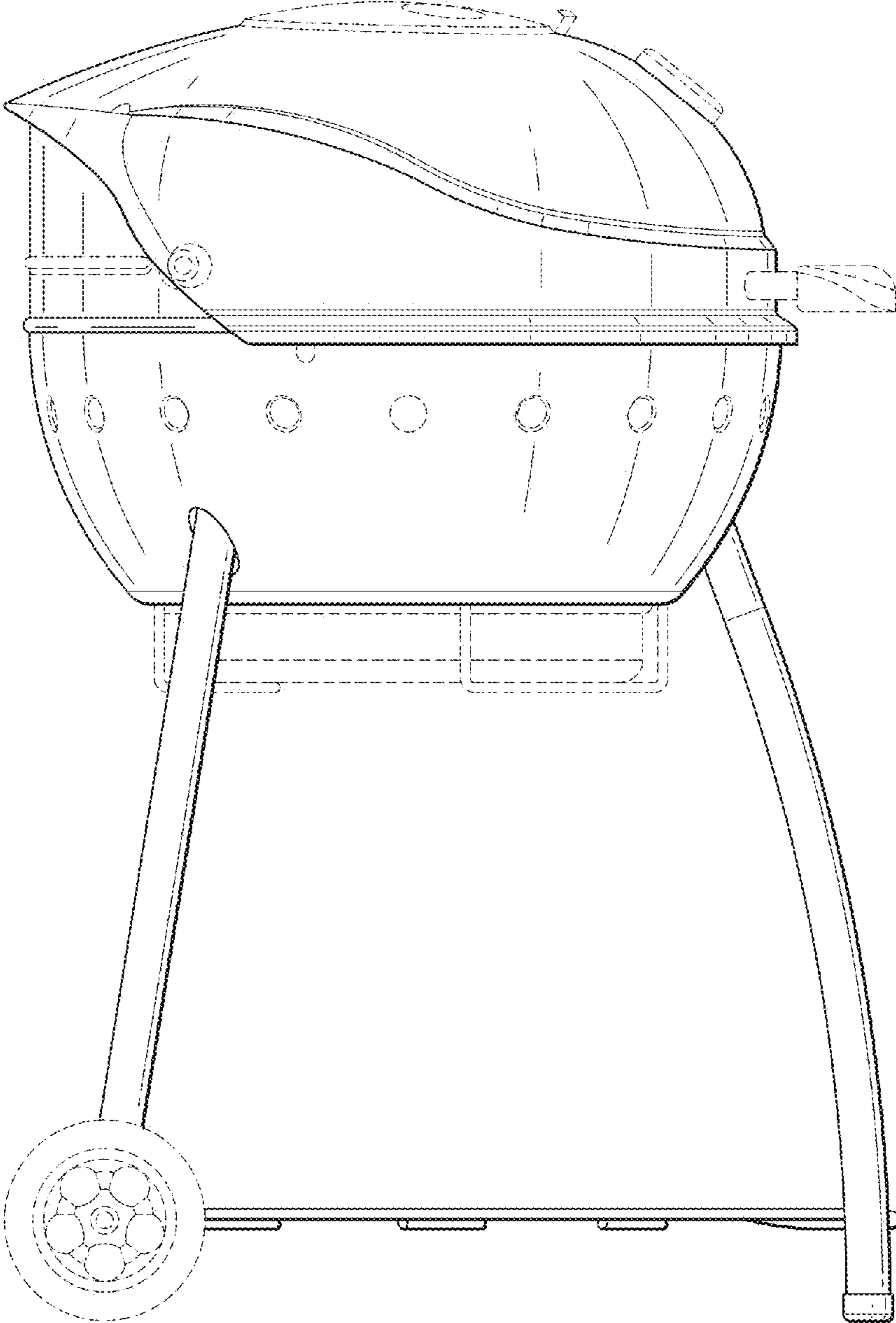


FIG. 3

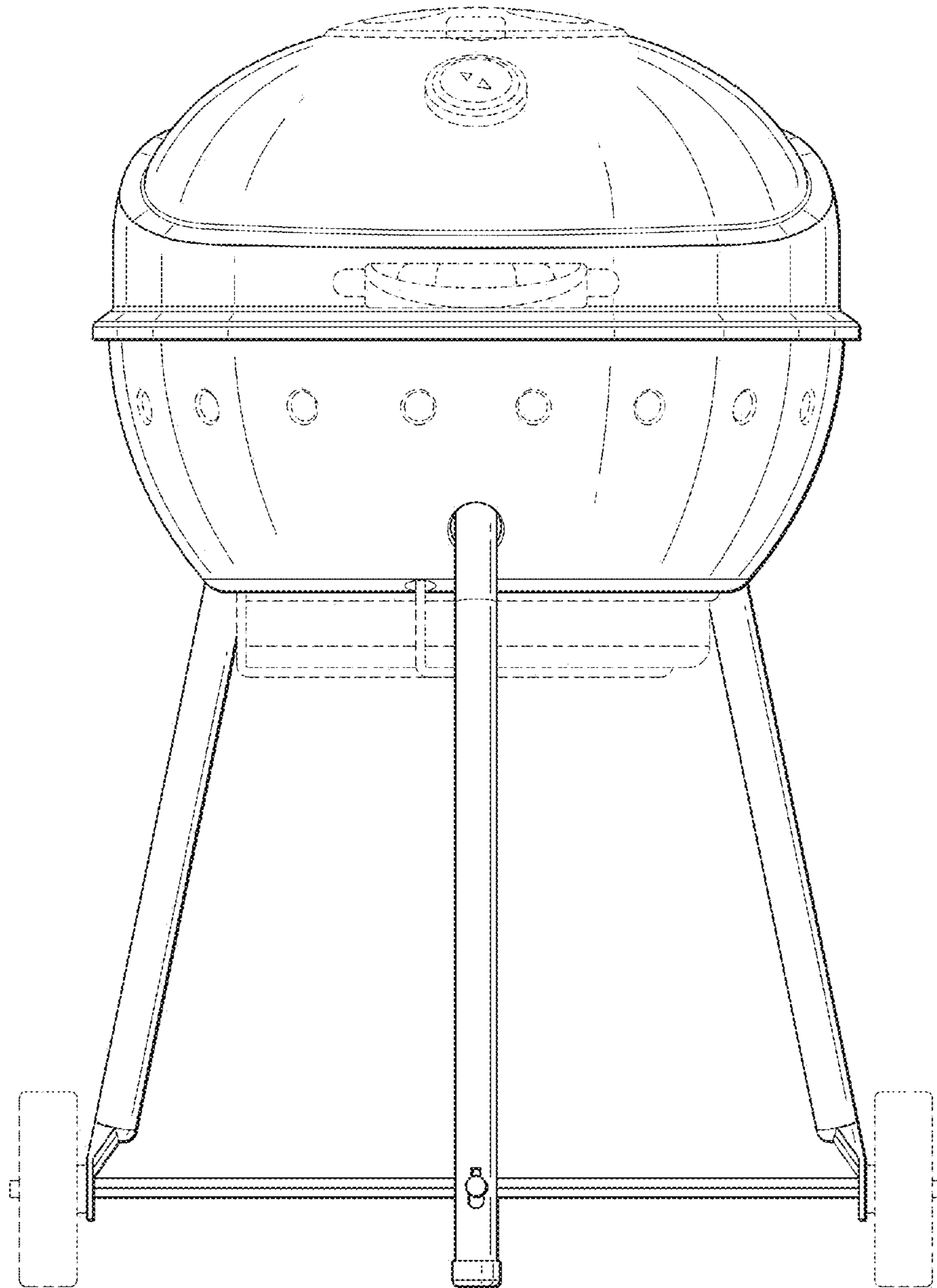


FIG. 4

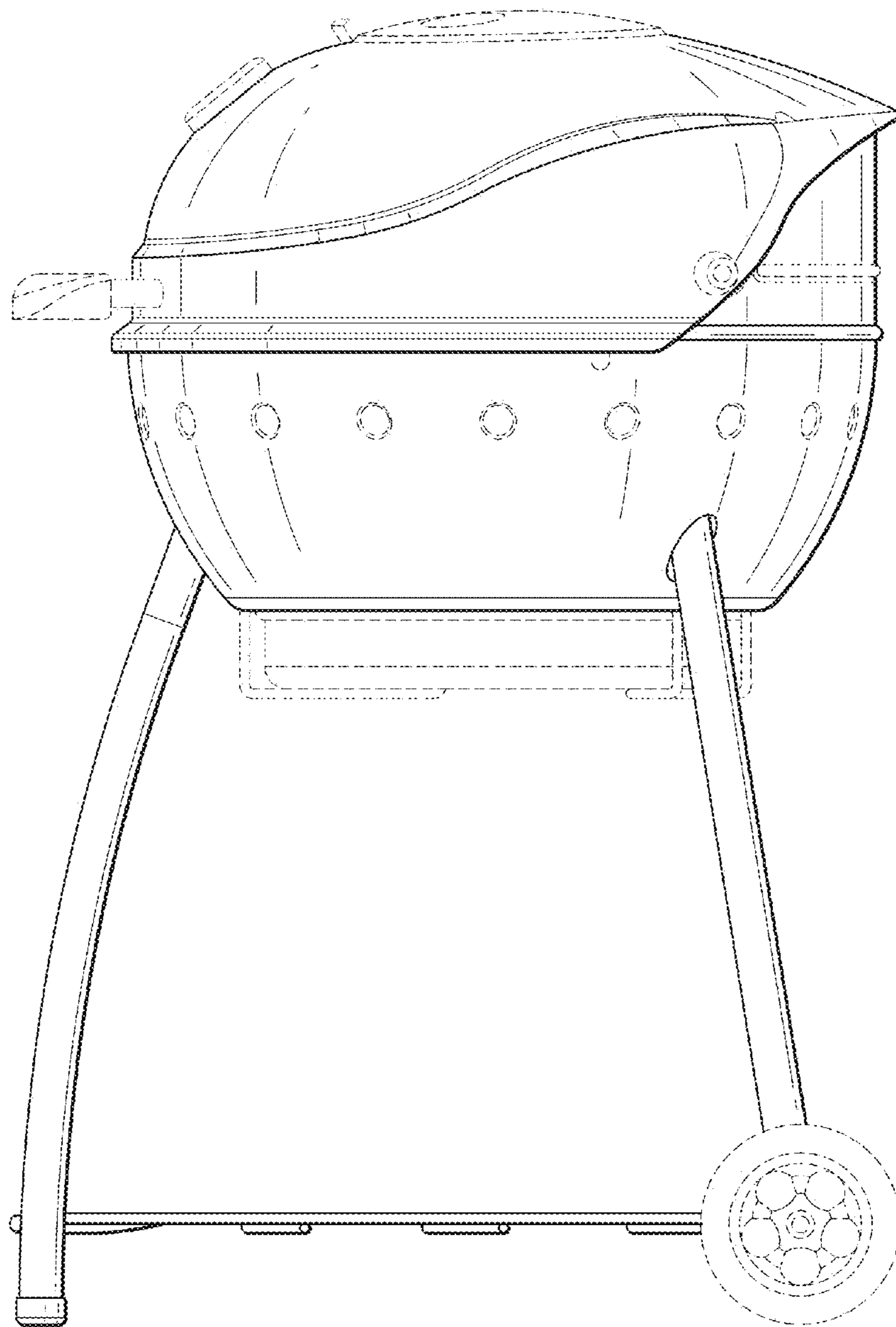


FIG. 5

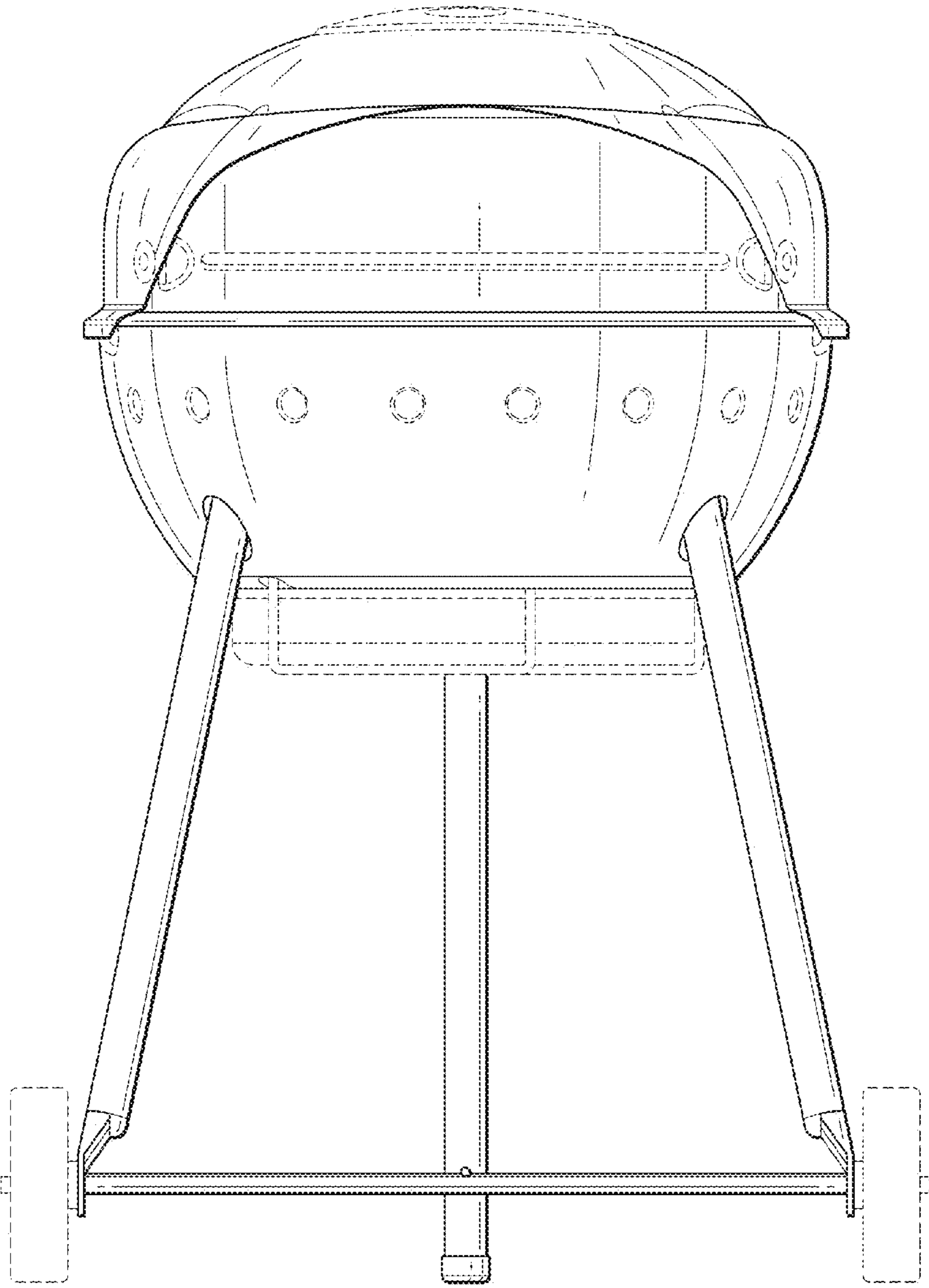


FIG. 6

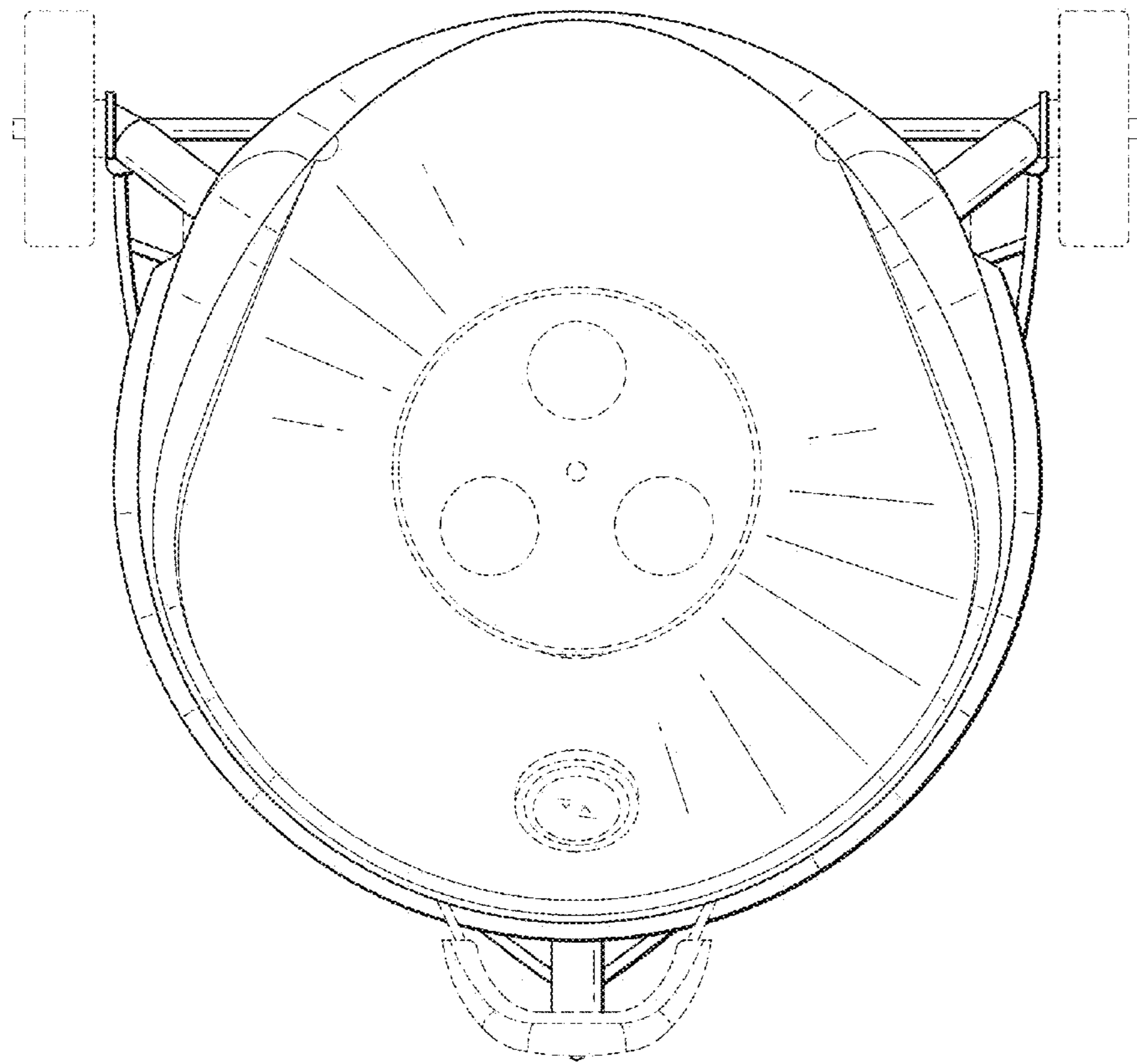


FIG. 7