

US00D753429S

(12) **United States Design Patent**  
**Cloutier et al.**

(10) **Patent No.:** **US D753,429 S**  
(45) **Date of Patent:** **\*\* Apr. 12, 2016**

(54) **SNACK MACHINE**  
(71) Applicant: **Zippy Pop Inc.**, Blaine, WA (US)  
(72) Inventors: **Andre Dean Cloutier**, Blaine, WA (US);  
**Debra Lynne Sasken-Duff**, Blaine, WA (US)  
(73) Assignee: **Zippy Pop Inc.**, Blaine, WA (US)  
(\*\*) Term: **14 Years**  
(21) Appl. No.: **29/501,635**  
(22) Filed: **Sep. 5, 2014**  
(51) **LOC (10) Cl.** ..... **31-00**  
(52) **U.S. Cl.**  
USPC ..... **D7/325**; D7/354; D7/361  
(58) **Field of Classification Search**  
USPC ..... D7/323, 325, 337, 339, 346-347, 350.1,  
D7/350.4, 354, 361-362, 391, 602, 629  
CPC ..... A23L 1/01; A23L 1/0128; A23L 1/10;  
A23L 1/18; A23L 1/1802; A23L 1/1812;  
A23L 1/1815; A23L 1/1817; A23L 1/217;  
A23P 1/14; A23P 1/142; A23P 1/144; A23P  
1/146; A23P 1/148; A47J 19/005; A47J  
27/004; A47J 36/027; A47J 36/06; A47J  
36/165; B01F 7/00583; B01F 7/00933;  
B01F 13/002; B65D 51/242; B65D 81/34;  
B65D 81/3407; B65D 81/3446; B65D 81/3453  
See application file for complete search history.

2,505,966 A \* 5/1950 Humphrey ..... A23L 1/1815  
366/248  
2,505,967 A 5/1950 Humphrey  
2,561,203 A \* 7/1951 Joffe ..... A23L 1/1815  
366/248  
4,202,256 A 5/1980 Brooks  
4,763,567 A 8/1988 Dalquist, III et al.  
5,163,357 A 11/1992 Felknor et al.  
6,254,268 B1 \* 7/2001 Long ..... B01F 7/00583  
366/139  
7,744,026 B2 \* 6/2010 Gregory ..... A47J 19/005  
241/169  
D636,215 S \* 4/2011 Cloutier ..... D7/325  
8,434,403 B1 \* 5/2013 Cloutier ..... A23L 1/18  
366/247

\* cited by examiner

*Primary Examiner* — Ricky Pham  
(74) *Attorney, Agent, or Firm* — Dwayne E. Rogge; Schacht  
Law Office, Inc.

(57) **CLAIM**  
The ornamental design for a snack machine, as shown and  
described.

**DESCRIPTION**

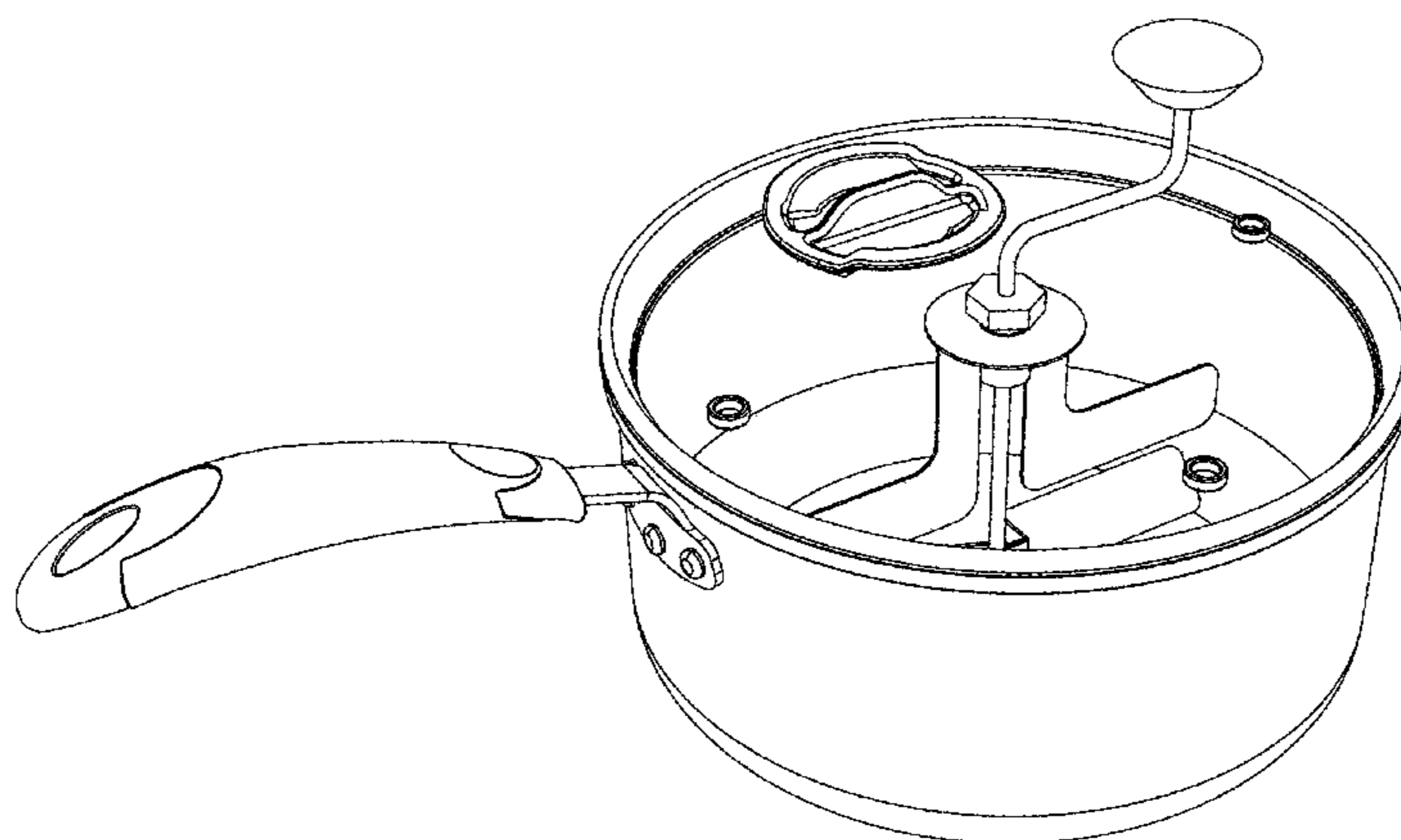
FIG. 1 is an enlarged isometric view of a snack machine  
showing our new design.  
FIG. 2 is a top view thereof.  
FIG. 3 is a bottom view thereof.  
FIG. 4 is a bottom view of a variation thereof.  
FIG. 5 is an enlarged side view thereof.  
FIG. 6 is an enlarged cross-sectional view taken through line  
6-6 of FIG. 2 thereof; shown separately for clarity of illustration.  
FIG. 7 is an enlarged rear view thereof.  
FIG. 8 is an enlarged front view thereof; and,  
FIG. 9 is an enlarged cross-sectional view taken through line  
9-9 of FIG. 2 thereof; shown separately for clarity of illustration.  
The example is shown with a transparent lid to more easily  
view the internal components. The variation shown in Fig. 4  
being identical to that shown in FIG. 3 except for the addition  
of an induction heat element such as a stainless steel disk. In  
one example the Induction Heat Element is a Stainless Steel  
Disc. The induction heat element in one example is a thin disc  
provided to allow the induction micro-waves to transfer heat  
through to the ingredients inside the apparatus.

**1 Claim, 4 Drawing Sheets**

(56) **References Cited**

**U.S. PATENT DOCUMENTS**

110,916 A \* 1/1871 Houcke ..... B01F 7/00933  
366/143  
912,136 A \* 2/1909 Landry ..... B01F 13/002  
366/247  
1,032,212 A \* 7/1912 Hilton ..... B65D 51/242  
220/212.5  
1,344,836 A \* 6/1920 Walden ..... A47H 36/165  
366/130  
1,444,244 A \* 2/1923 Grossenbacher ..... A23L 1/1815  
366/248  
1,517,624 A \* 12/1924 Girard ..... A47J 19/005  
241/101.1  
1,620,765 A \* 3/1927 Jackson ..... A23L 1/1815  
220/318  
2,441,941 A 5/1941 Shaffer



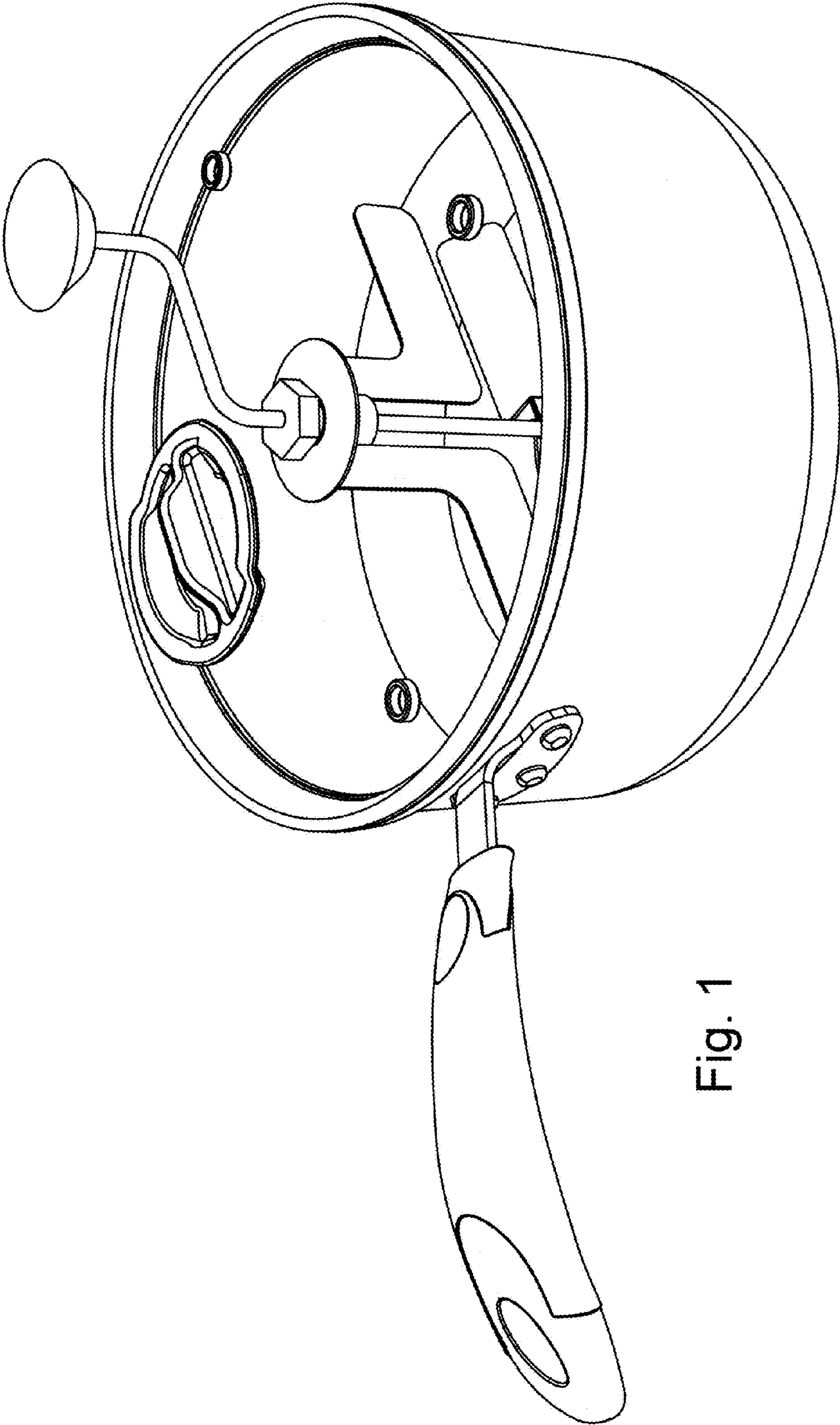


Fig. 1

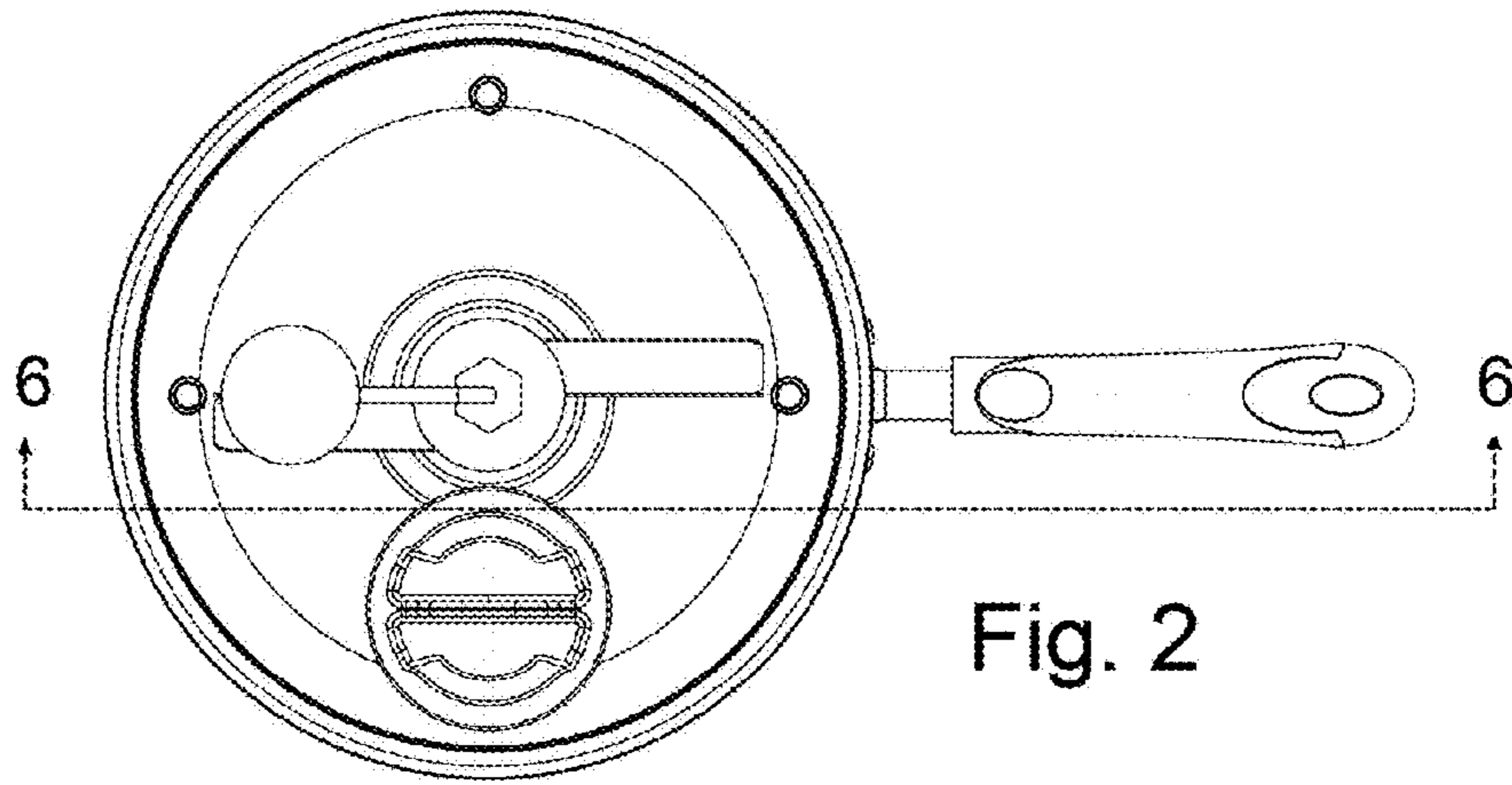


Fig. 2

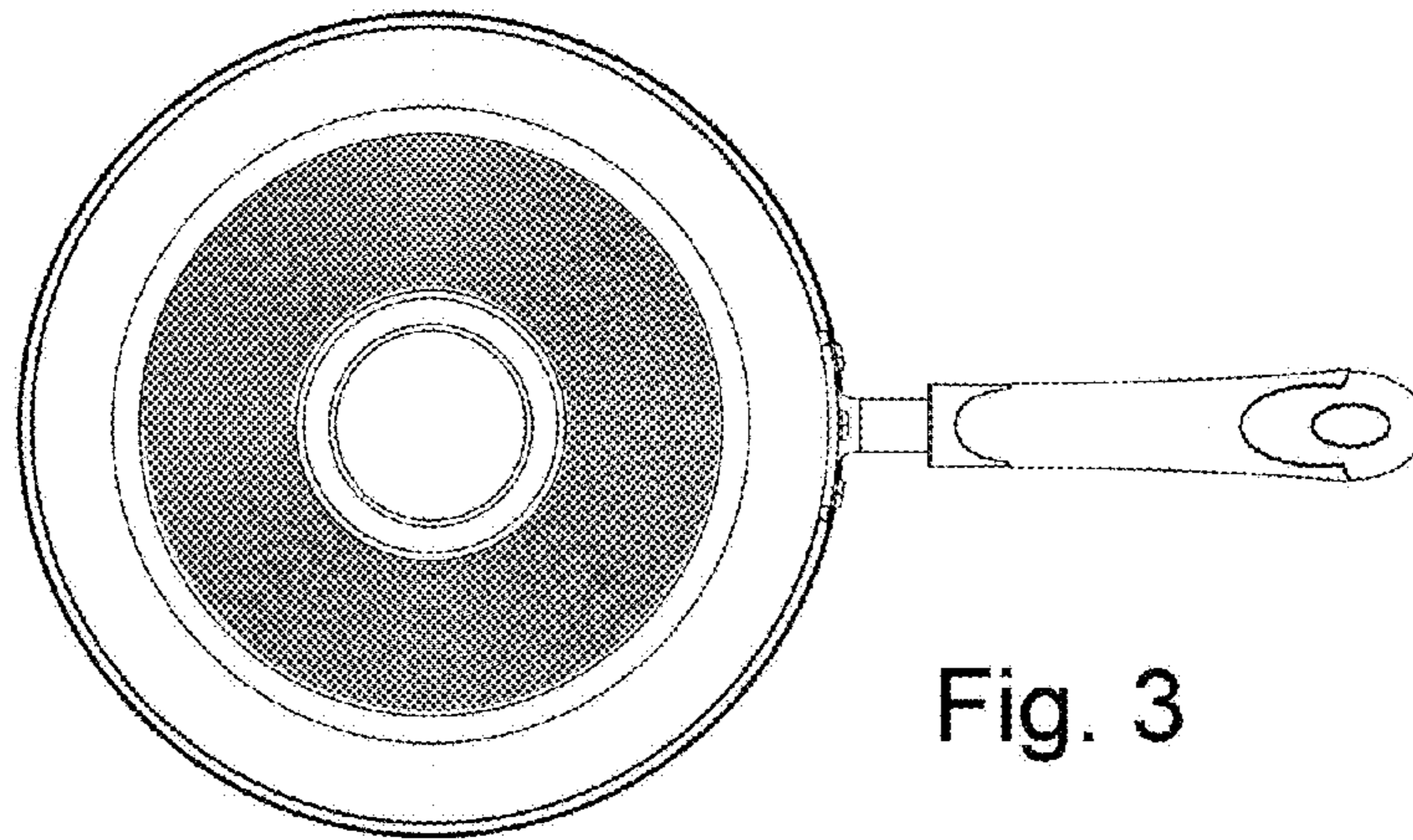


Fig. 3

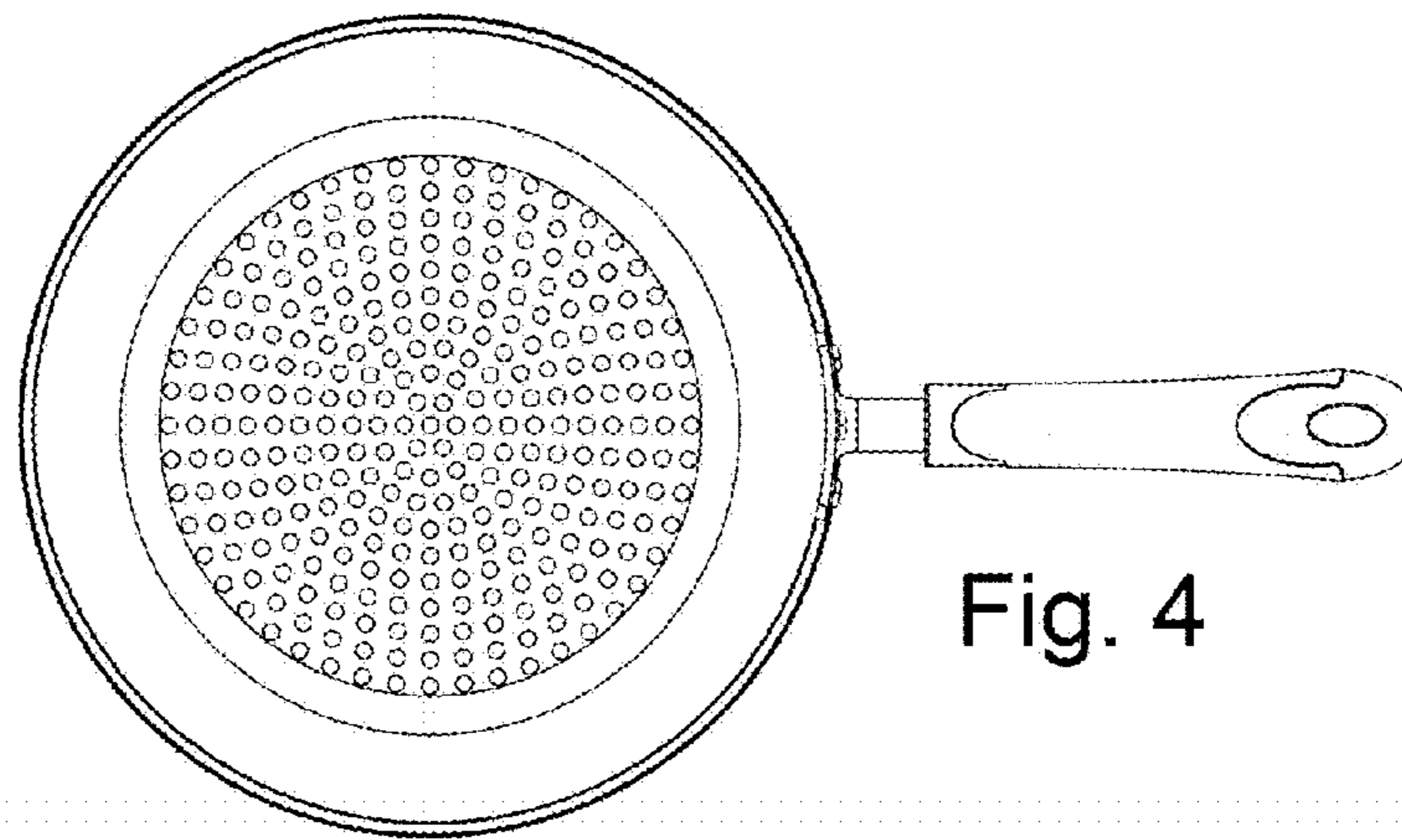


Fig. 4



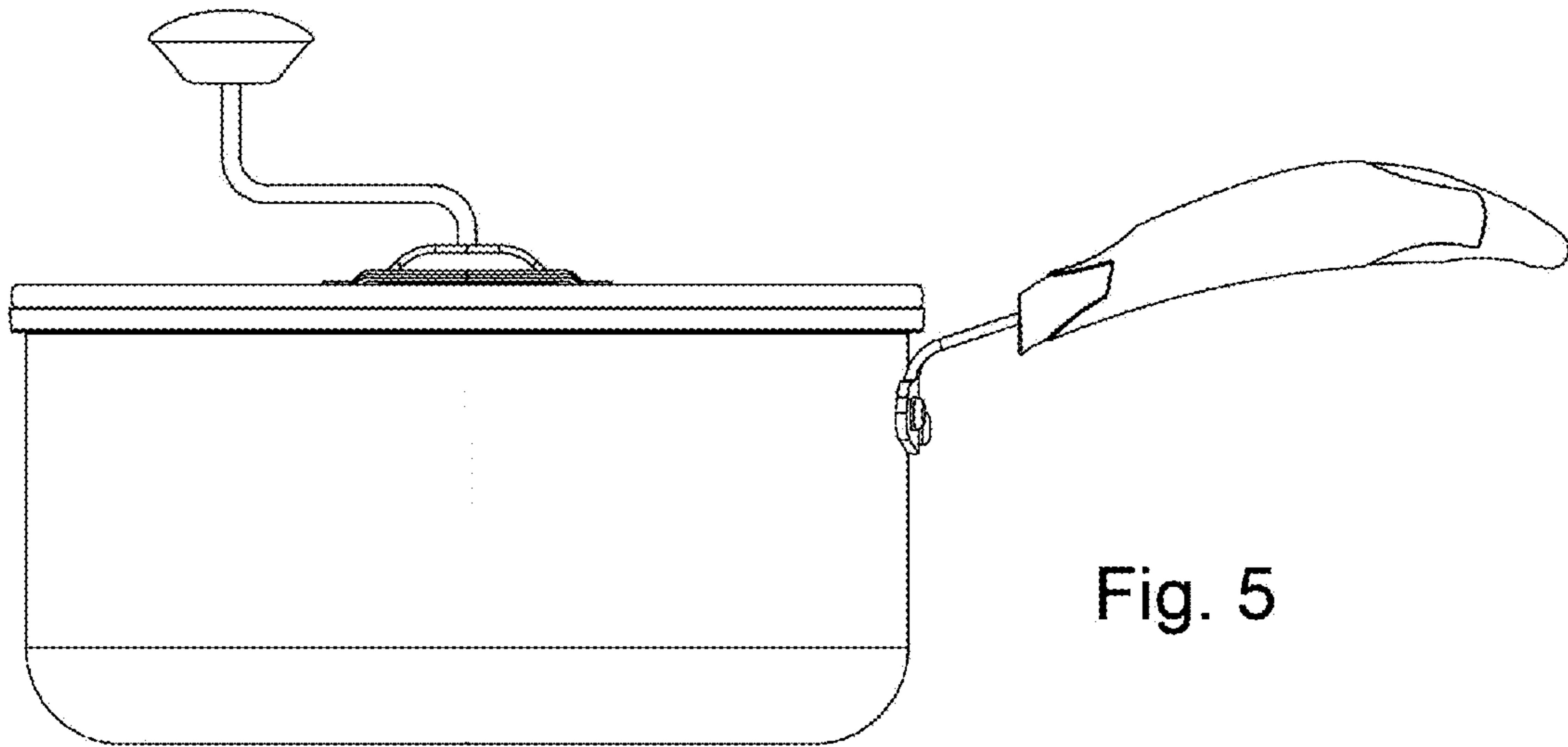


Fig. 5

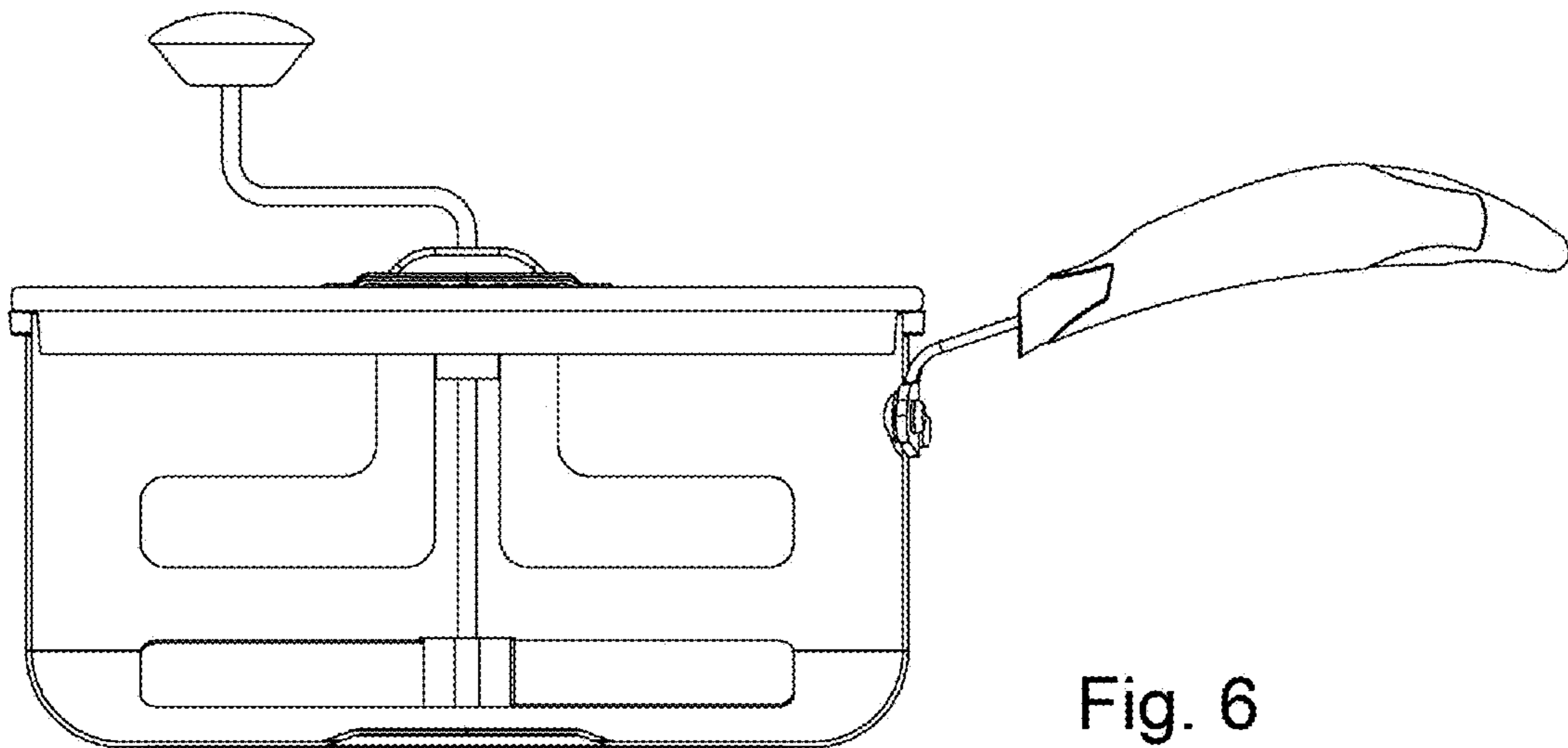


Fig. 6

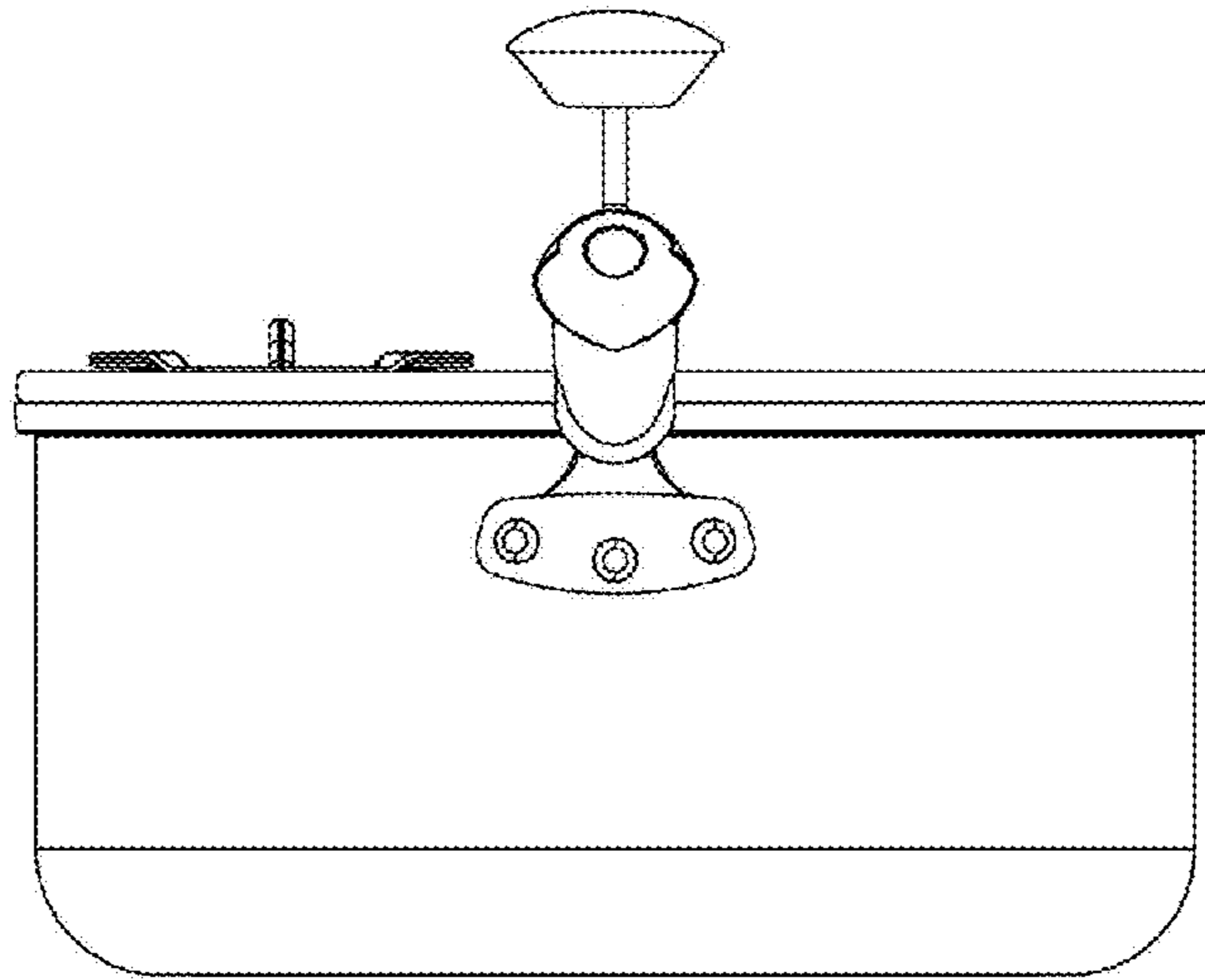


Fig. 7

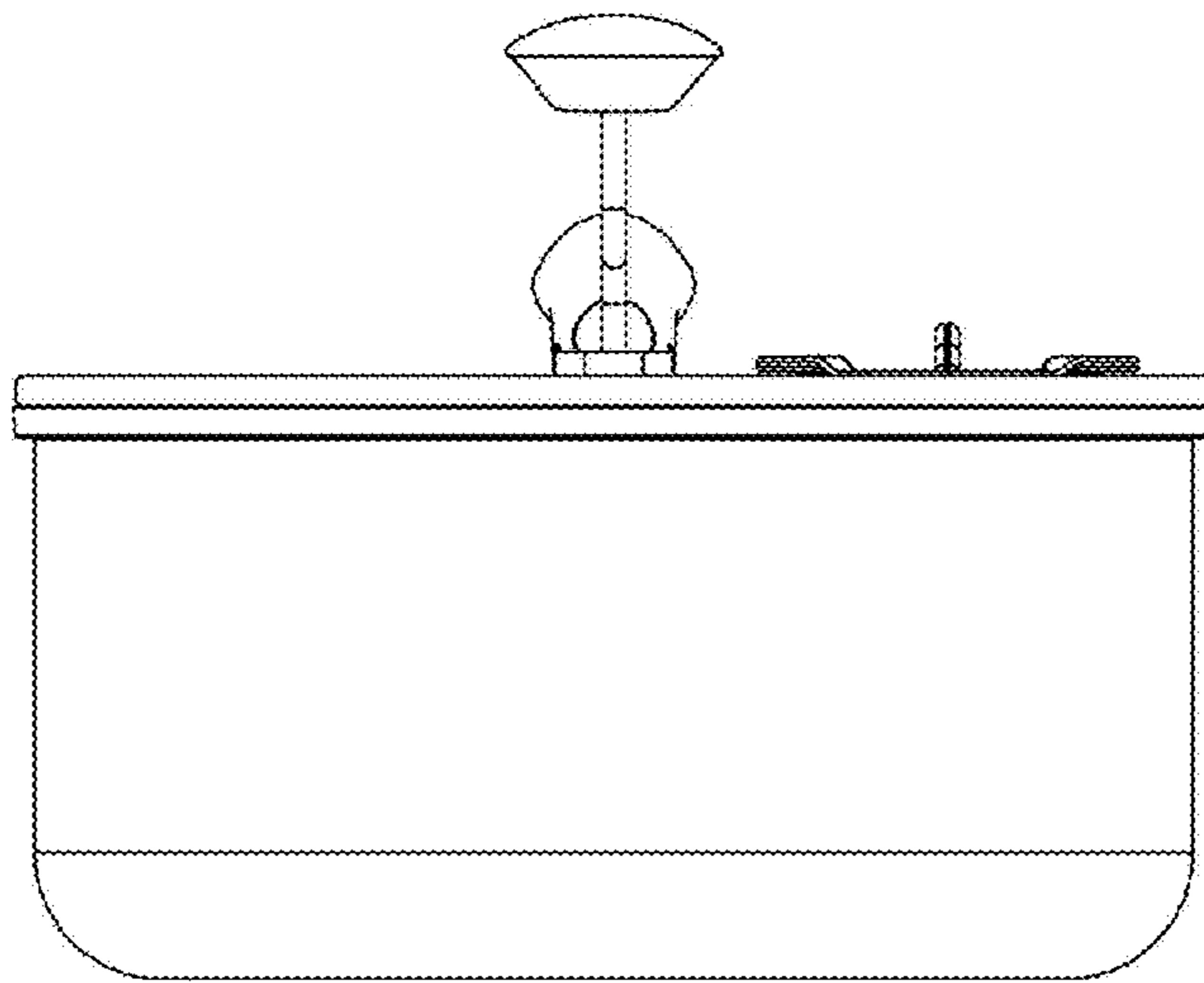


Fig. 8

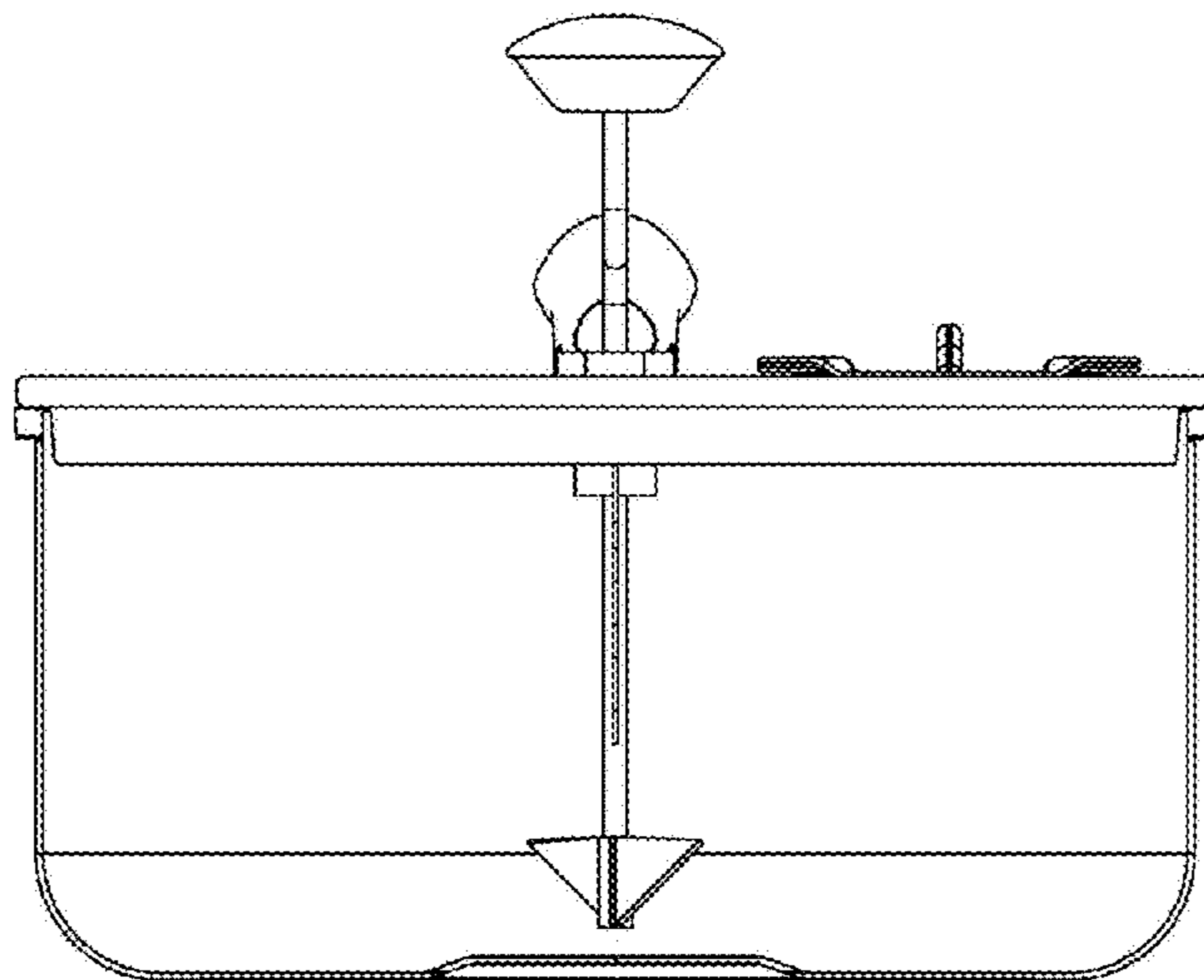


Fig. 9