



US00D753428S

(12) **United States Design Patent**
Shao

(10) **Patent No.:** **US D753,428 S**
(45) **Date of Patent:** **** Apr. 12, 2016**

(54) **INFUSER**

(56) **References Cited**

(71) Applicant: **WHIRLPOOL CORPORATION**,
Benton Harbor, MI (US)
(72) Inventor: **Ben C. Shao**, Clarendon Hills, IL (US)
(73) Assignee: **Whirlpool Corporation**, Benton Harbor,
MI (US)
(**) Term: **15 Years**
(21) Appl. No.: **29/529,733**
(22) Filed: **Jun. 10, 2015**

U.S. PATENT DOCUMENTS

D353,296	S	*	12/1994	Assmann	D7/309
D496,214	S	*	9/2004	Ledingham	D7/309
D501,750	S	*	2/2005	DeMore	D7/309
D530,560	S	*	10/2006	Lin	D7/309
7,703,382	B2	*	4/2010	Oranski	B67D 1/001 210/198.1
D666,049	S	*	8/2012	Struzka	D7/306
D687,255	S	*	8/2013	Grasselli	D7/306
8,627,760	B2	*	1/2014	Kollep	A47J 31/4482 99/279
D699,065	S	*	2/2014	Bucher	D7/306
D714,088	S	*	9/2014	Cahen	D7/309
D738,152	S	*	9/2015	Grasselli	D7/309
D743,199	S	*	11/2015	Bardazzi	D7/309

* cited by examiner

Related U.S. Application Data

(62) Division of application No. 29/484,859, filed on Mar.
13, 2014, now Pat. No. Des. 733,480.
(51) **LOC (10) Cl.** **07-01**
(52) **U.S. Cl.**
USPC **D7/306; D7/309; D7/311**
(58) **Field of Classification Search**
USPC D7/306-311, 301, 300, 326, 386,
D7/397-399; 99/281, 305, 307, 279, 295;
141/247; 222/129.1, 129.3, 145.6;
D24/197
CPC A47J 31/00; A47J 31/057; A47J 31/44;
A47J 31/4482; B67D 1/001
See application file for complete search history.

Primary Examiner — Marianne Pandozzi

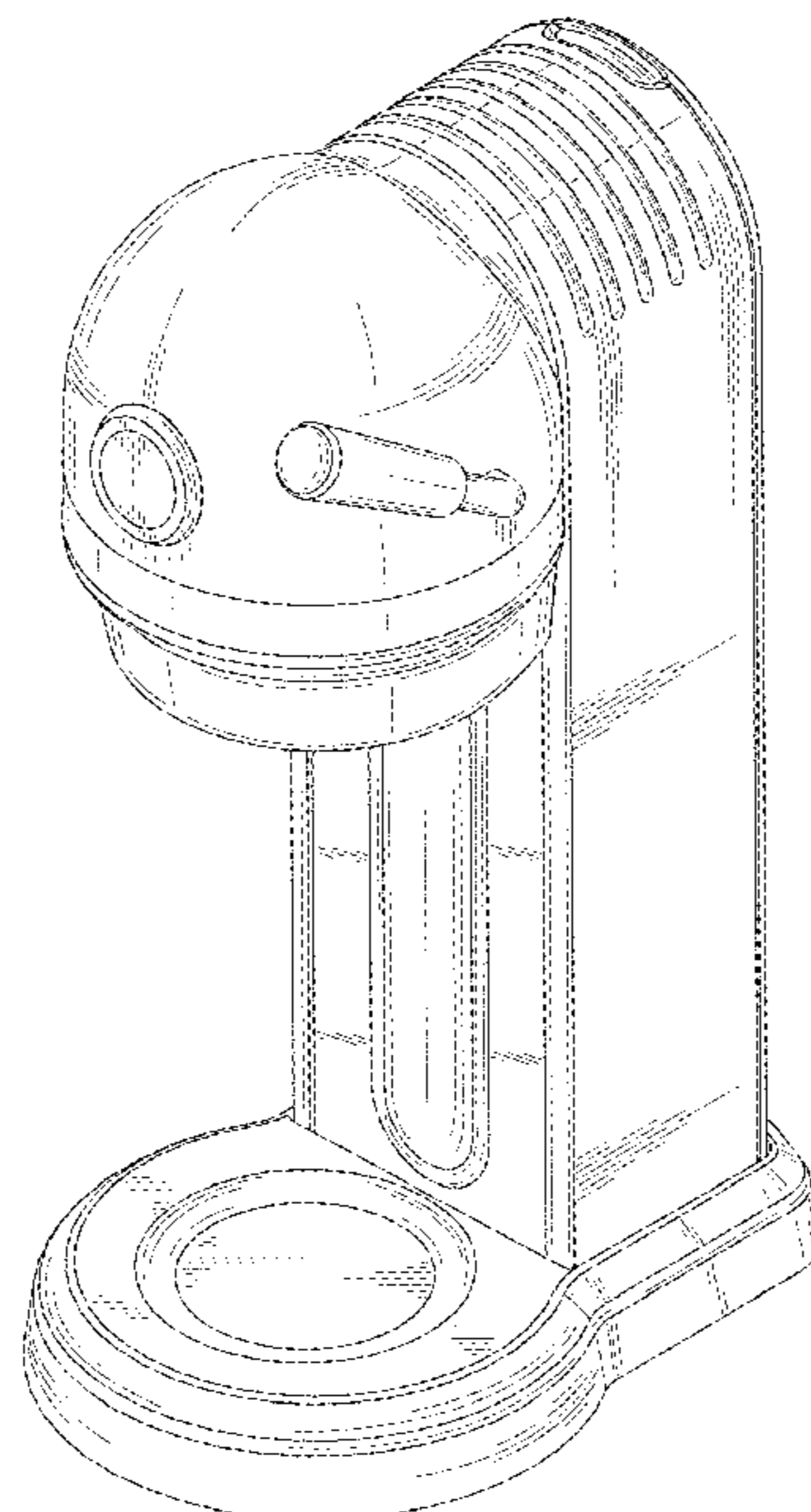
(57) **CLAIM**

We claim the ornamental design for an infuser, as shown and described.

DESCRIPTION

FIG. 1 is a front perspective view of one embodiment of an infuser of the present disclosure;
FIG. 2 is a rear perspective view of the infuser of FIG. 1;
FIG. 3 is a front elevational view of the infuser of FIG. 1;
FIG. 4 is a rear elevational view of the infuser of FIG. 1;
FIG. 5 is a right side elevational view of the infuser of FIG. 1;
FIG. 6 is a left side elevational view of the infuser of FIG. 1;
FIG. 7 is a top plan view of the infuser of FIG. 1; and,
FIG. 8 is a bottom plan view of the infuser of FIG. 1.
The broken lines depict environmental subject matter and form no part of the claimed design.

1 Claim, 6 Drawing Sheets



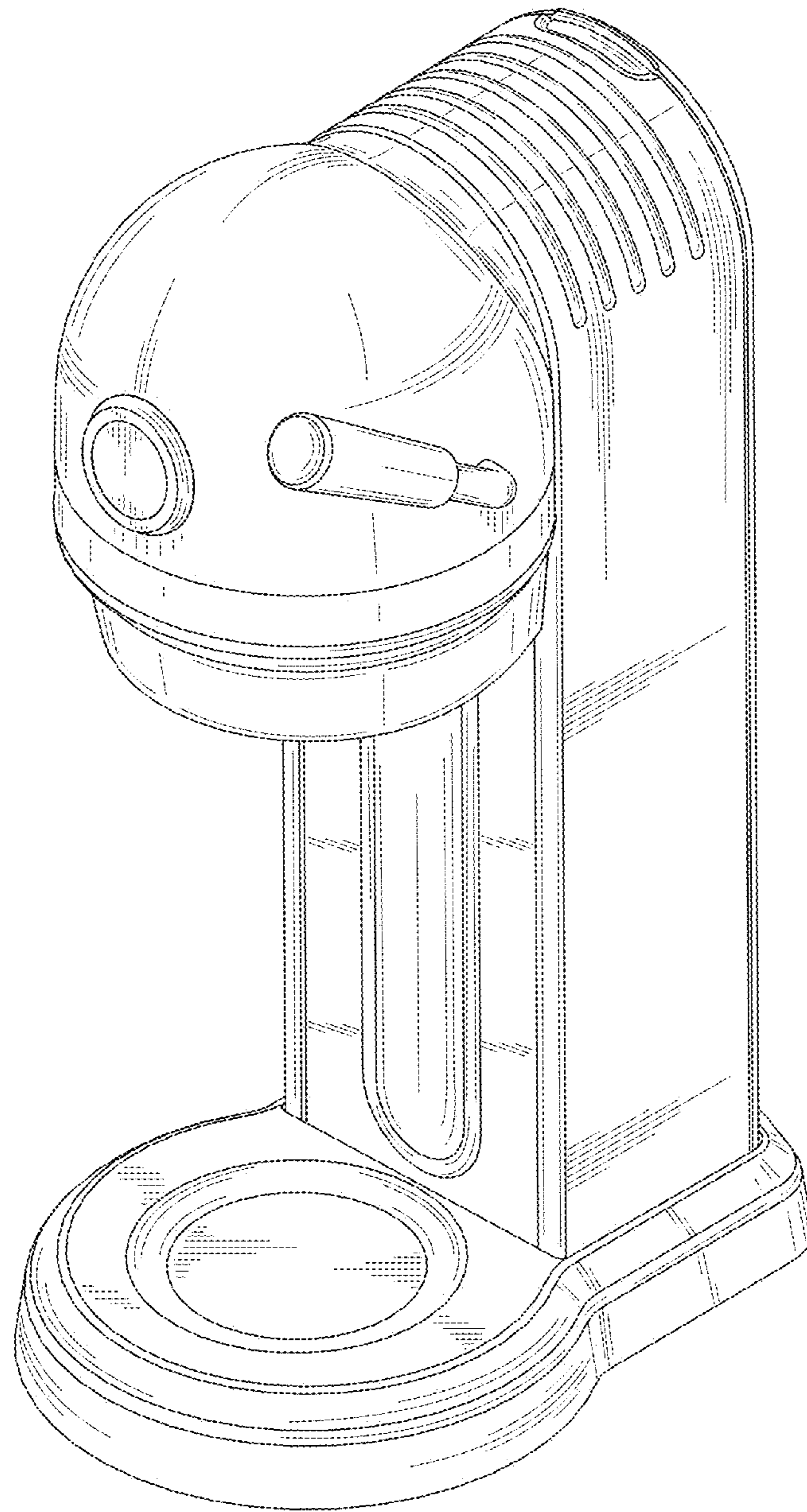


FIG. 1

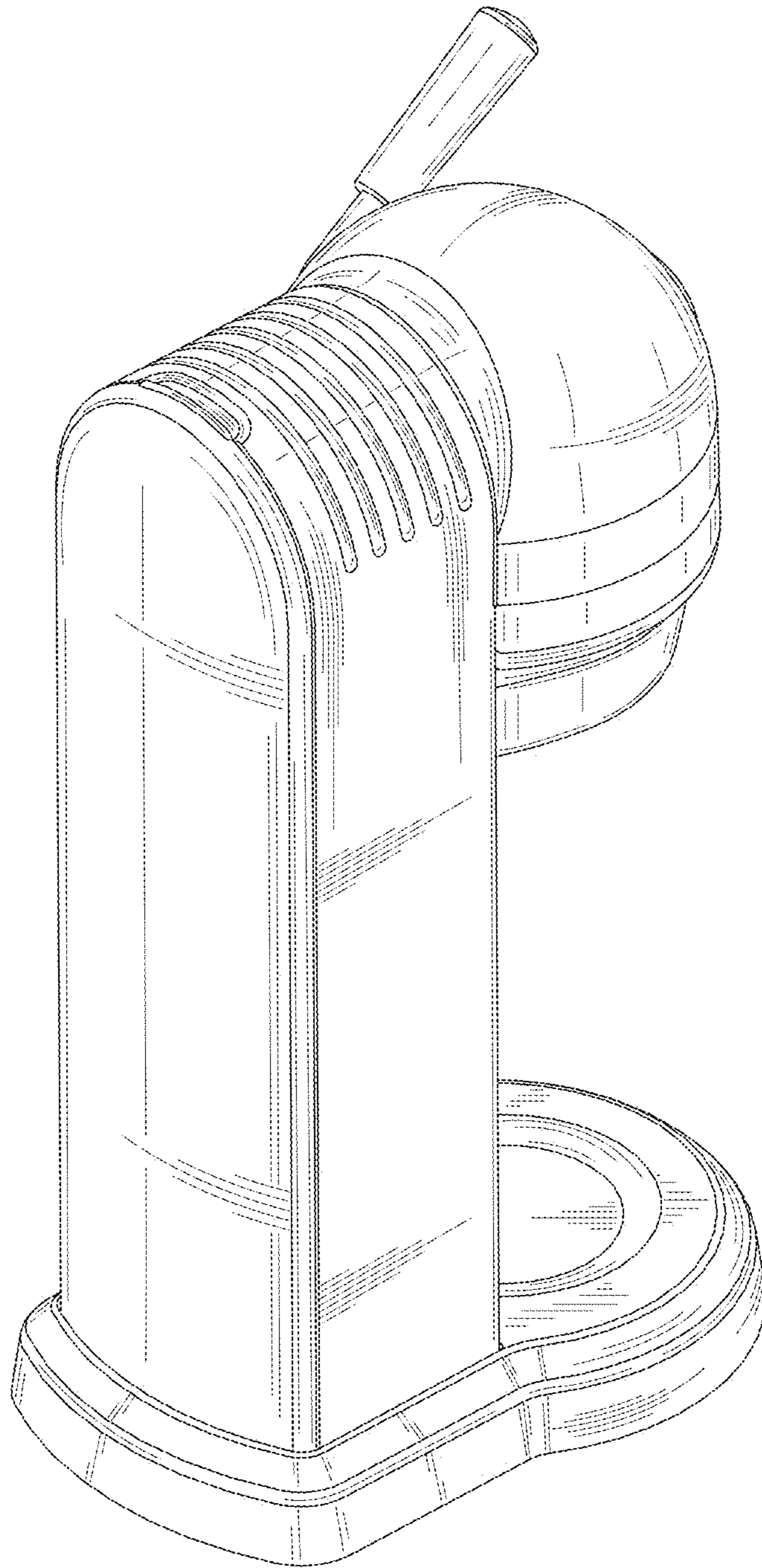


FIG. 2

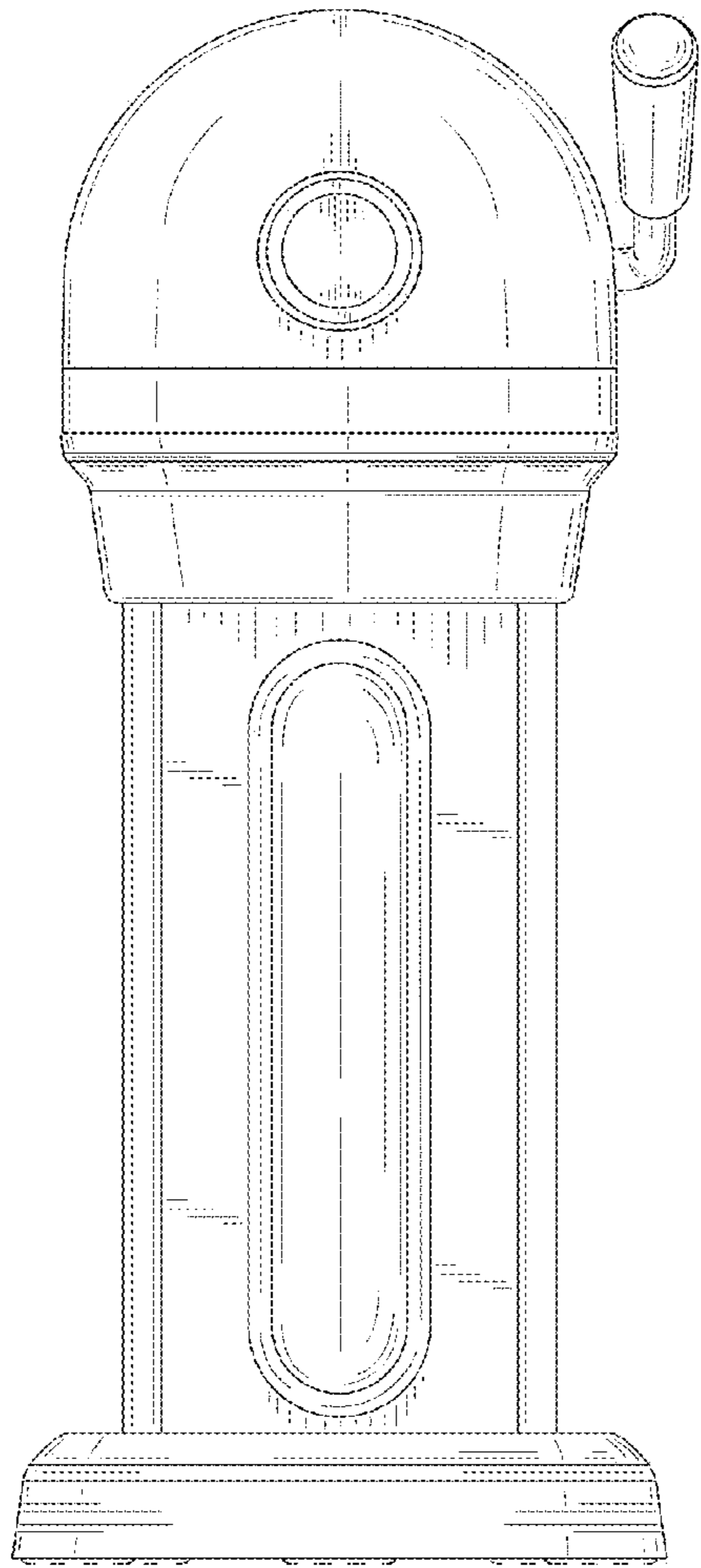


FIG. 3

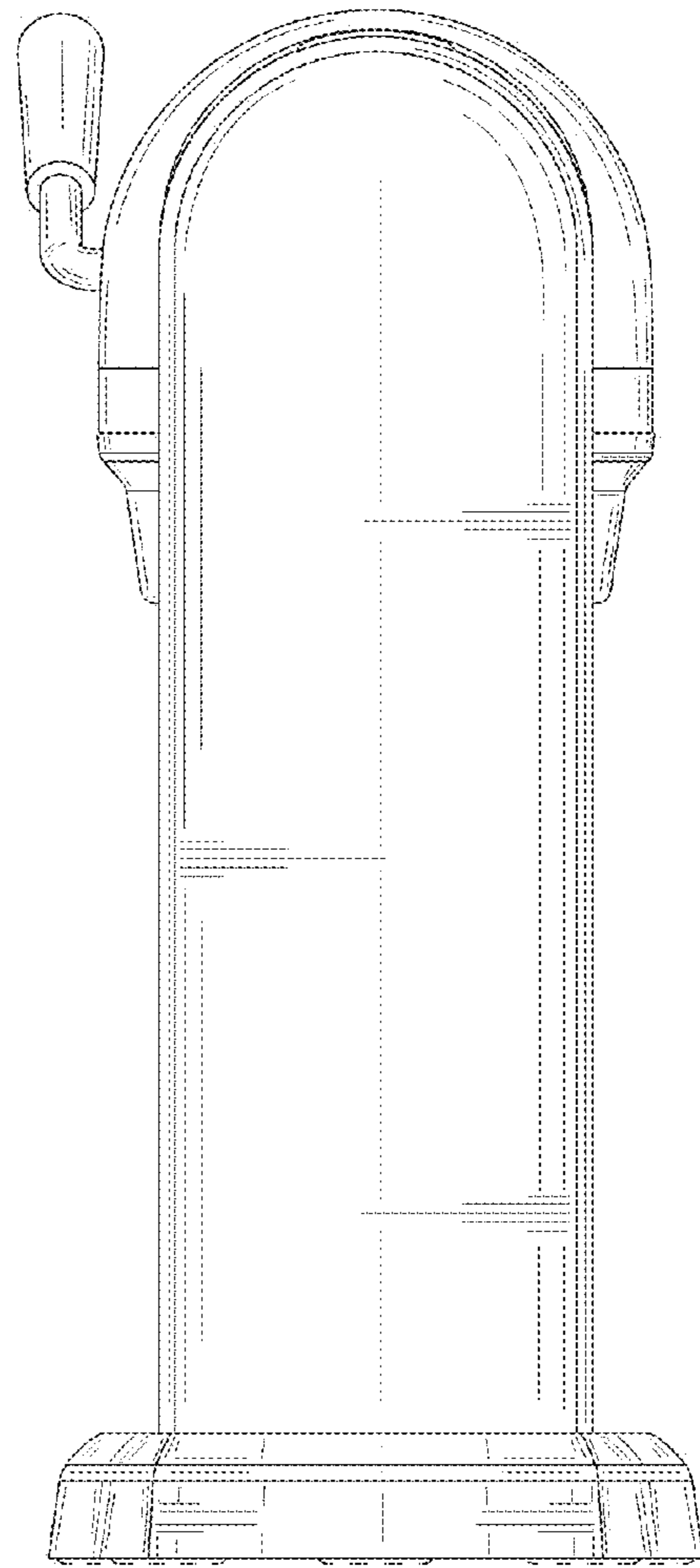


FIG. 4

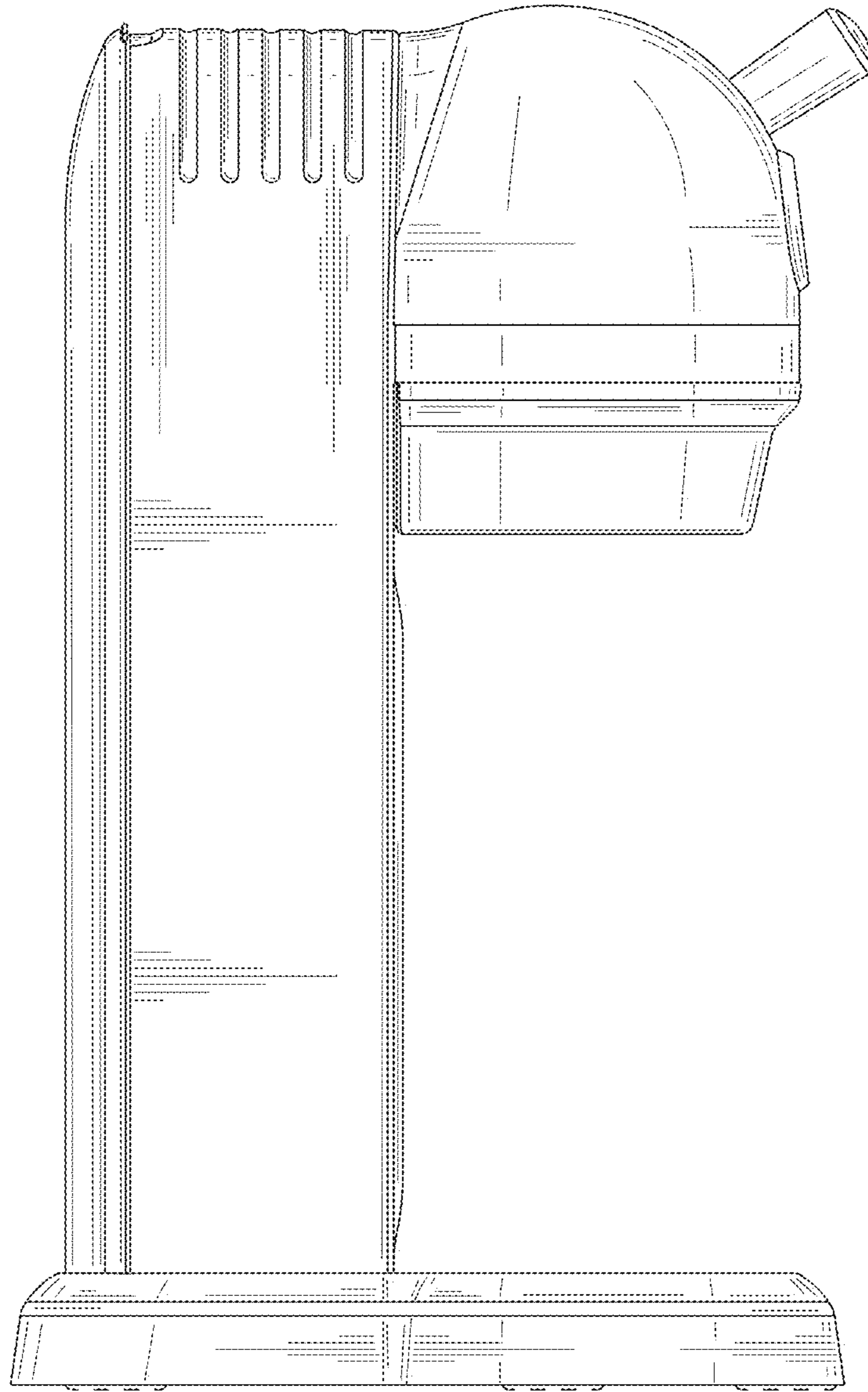


FIG. 5

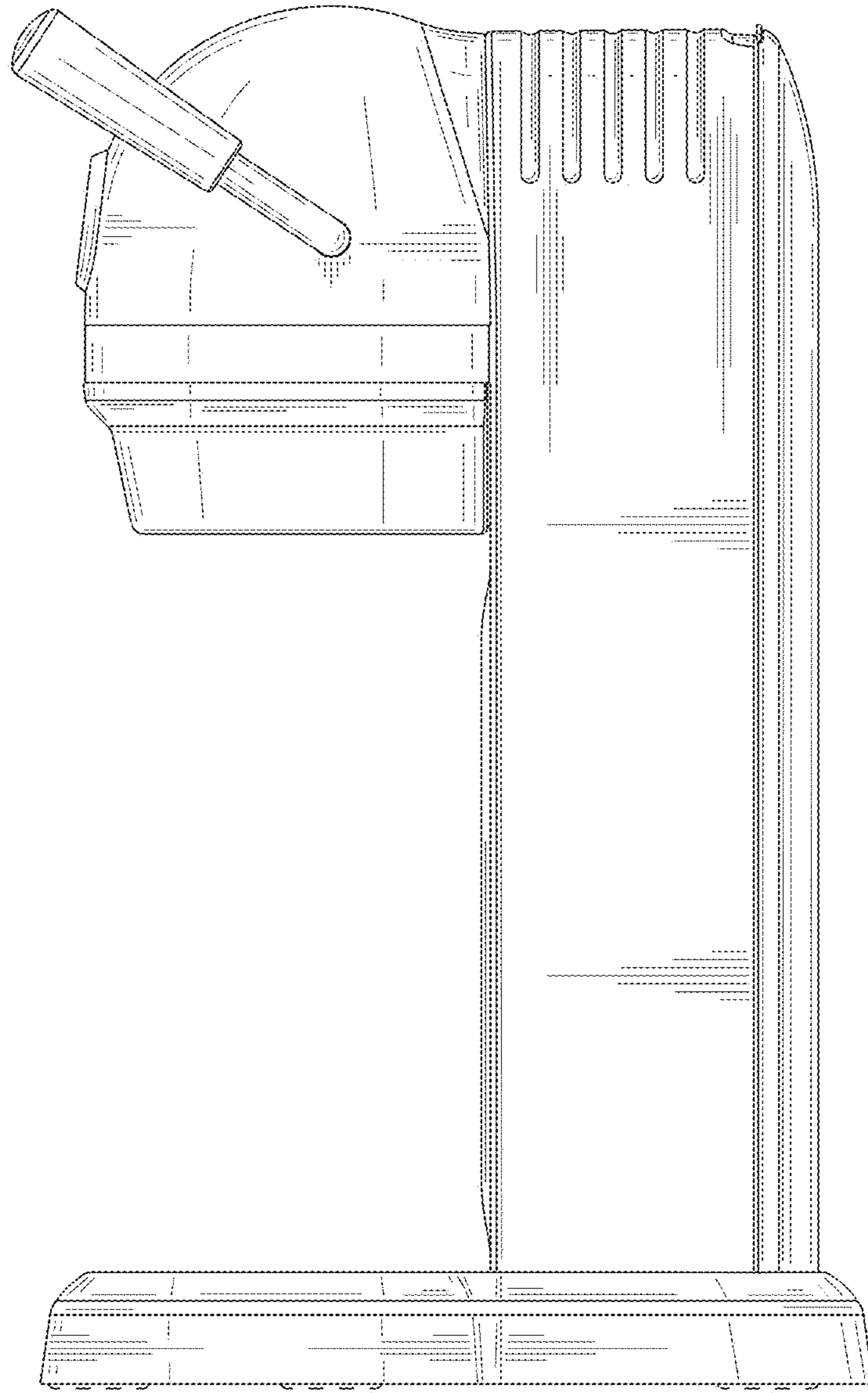


FIG. 6

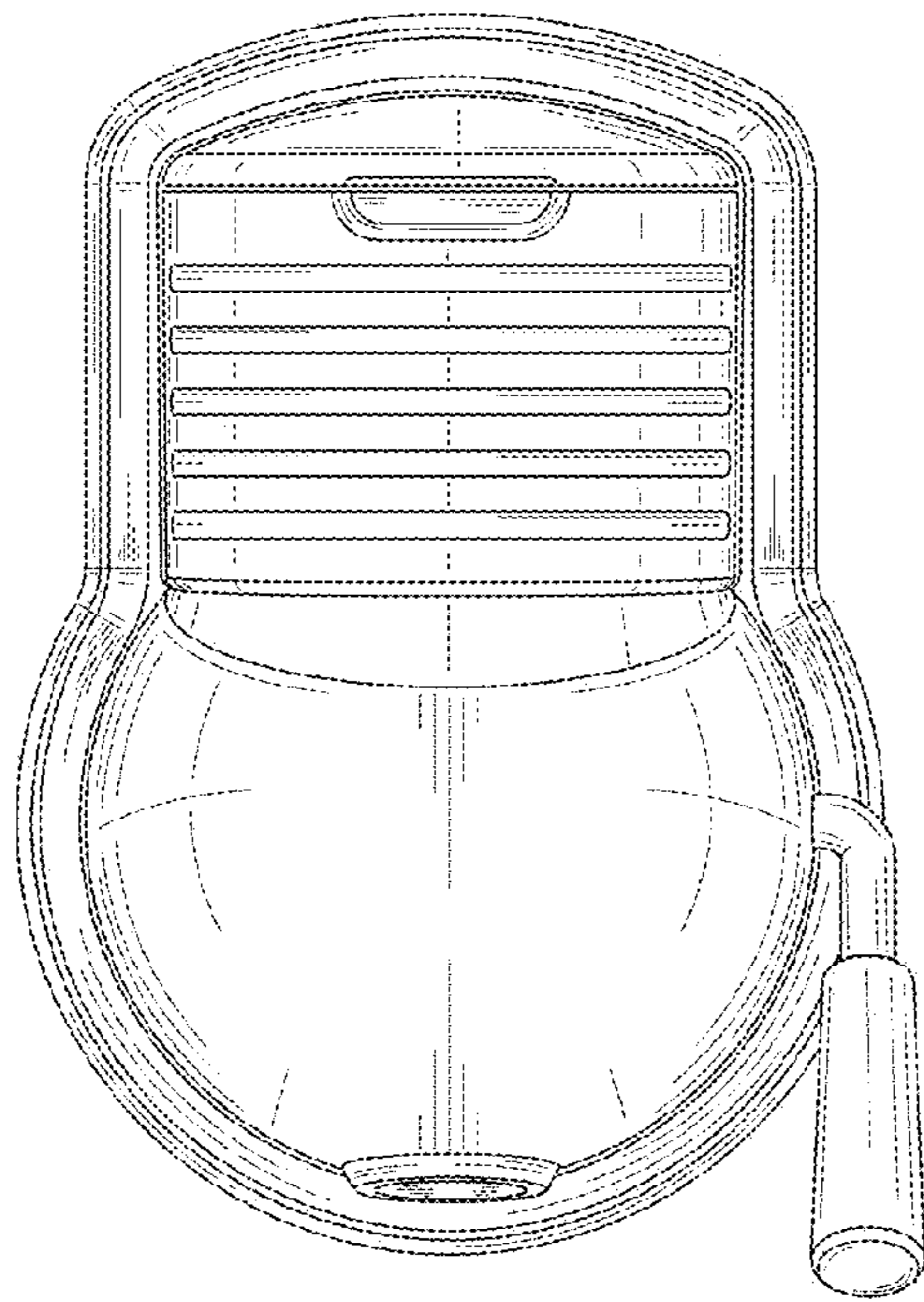


FIG. 7

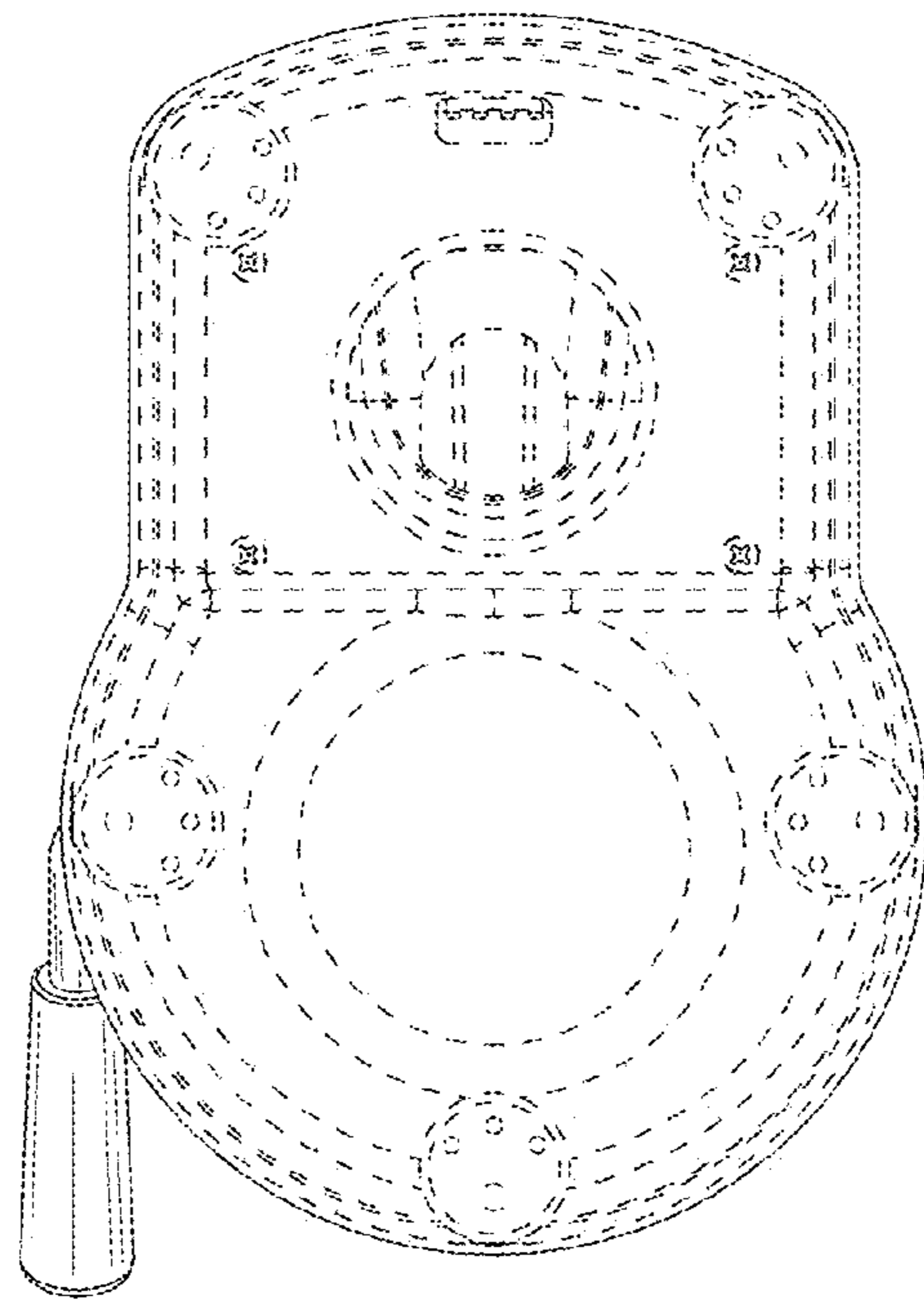


FIG. 8