



US00D753427S

(12) **United States Design Patent**  
**Bellows et al.**

(10) **Patent No.:** **US D753,427 S**  
(45) **Date of Patent:** **\*\* Apr. 12, 2016**

(54) **BASSINET AND NAPPER**  
(71) Applicant: **Wonderland Nurserygoods Company Limited**, Kwai Chung, N.T. (HK)  
(72) Inventors: **William Bellows**, Wyomissing, PA (US); **Andrew J. Taylor**, Mohnton, PA (US)  
(73) Assignee: **WONDERLAND NURSERYGOODS COMPANY LIMITED**, Kwai Chung, N.T. (HK)

(\*\*) Term: **14 Years**

(21) Appl. No.: **29/500,665**

(22) Filed: **Aug. 27, 2014**

(51) **LOC (10) Cl.** ..... **06-06**

(52) **U.S. Cl.**  
USPC ..... **D6/718; D6/390; D6/708.16**

(58) **Field of Classification Search**  
USPC ..... D6/390, 391, 331, 333, 389, 718.26, D6/385  
CPC ..... A47D 7/00; A47D 7/03; A47D 7/007; A47D 7/02; A47D 7/002; A47D 9/00; A47D 13/06; A47D 13/061; A47D 13/063  
See application file for complete search history.

(56) **References Cited**

**U.S. PATENT DOCUMENTS**

1,565,191 A \* 12/1925 Nelson ..... A47C 29/006 135/90  
D383,913 S \* 9/1997 Ahlstrom ..... D6/348

D429,585 S \* 8/2000 Huang ..... D6/385  
6,145,141 A \* 11/2000 Whittington ..... A47C 29/006 135/116  
D717,574 S \* 11/2014 Bellows ..... D6/385  
D717,577 S \* 11/2014 Pacella ..... D6/385  
2003/0177574 A1\* 9/2003 Waldman ..... A47D 7/007 5/93.1  
2013/0318709 A1\* 12/2013 Bellows ..... A47D 9/02 5/101  
2015/0342367 A1\* 12/2015 Corso ..... A47D 9/02 5/102

\* cited by examiner

*Primary Examiner* — Janice Seeger

(74) *Attorney, Agent, or Firm* — Bacon & Thomas, PLLC

(57) **CLAIM**

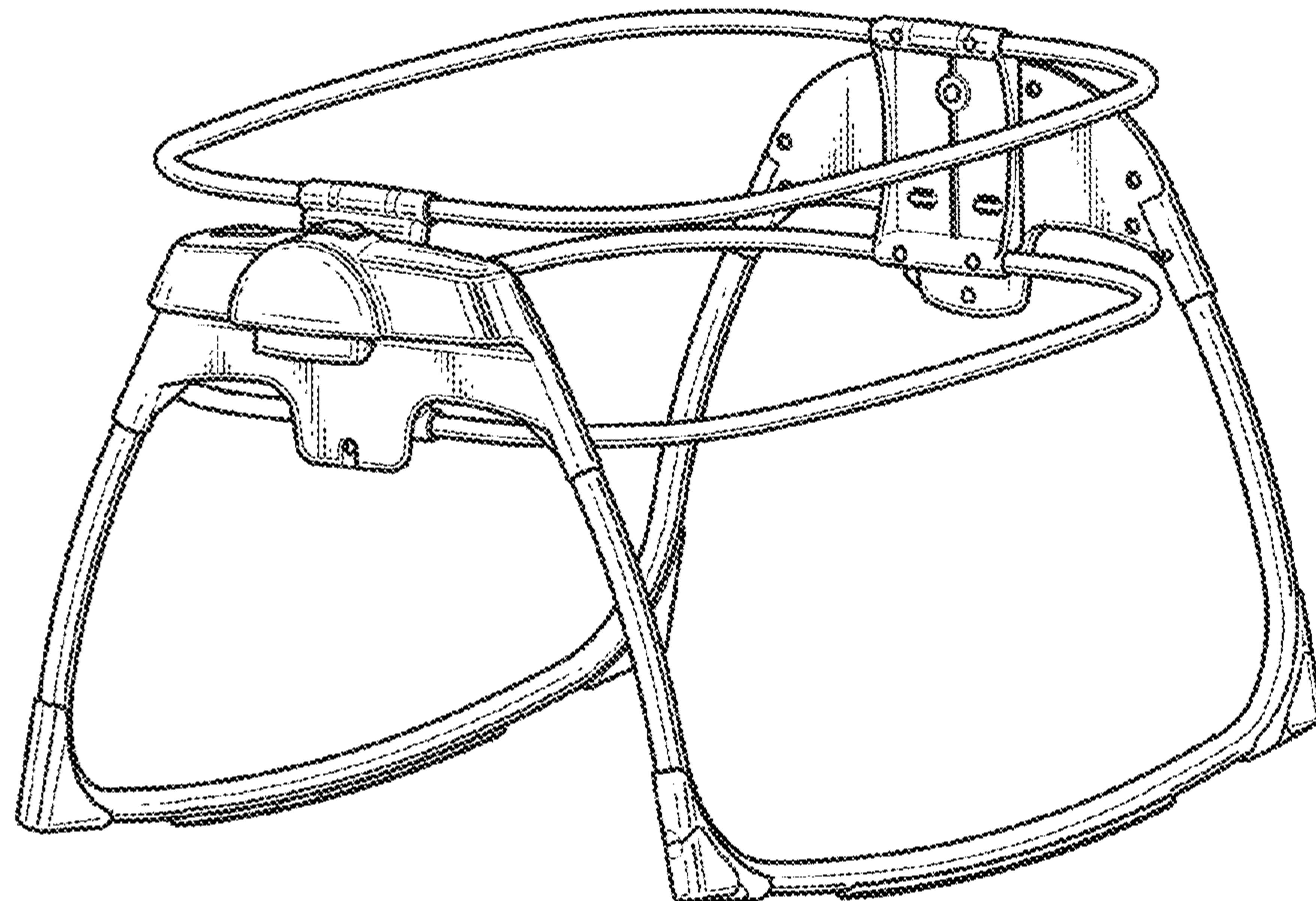
The ornamental design for a bassinet and napper, as shown and described.

**DESCRIPTION**

FIG. 1 is a perspective view of a bassinet and napper in accordance with our new design;  
FIG. 2 is a front view of FIG. 1;  
FIG. 3 is a rear view of FIG. 1;  
FIG. 4 is a top view of FIG. 1;  
FIG. 5 is a bottom view of FIG. 1;  
FIG. 6 is a left side view of FIG. 1;  
FIG. 7 is a right side view of FIG. 1; and,  
FIG. 8 is a perspective view showing the bassinet and napper shown in FIG. 1 in use.

The broken lines shown in the drawings are for illustrative purposes only and form no part of the claimed design.

**1 Claim, 6 Drawing Sheets**



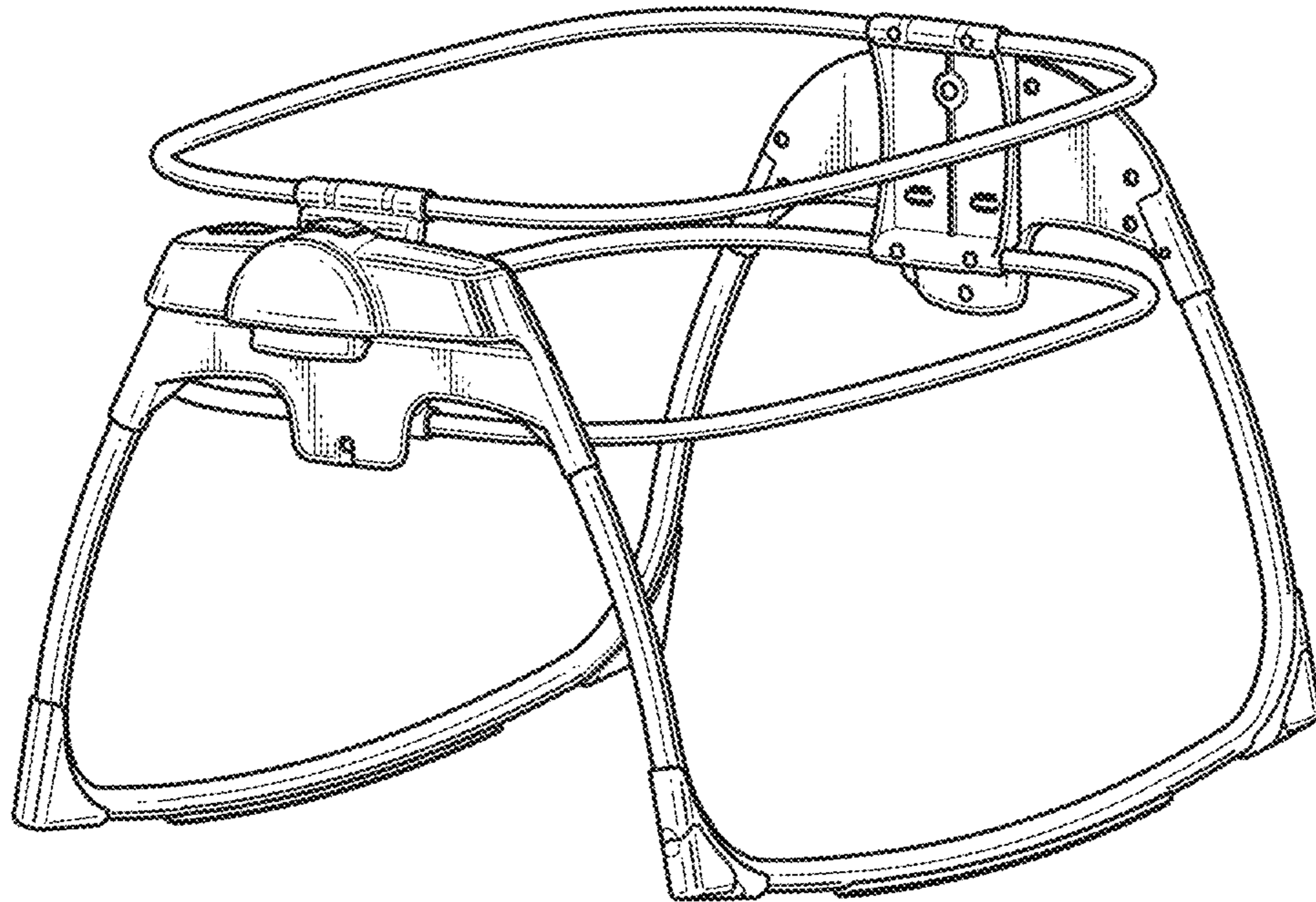


Fig. 1

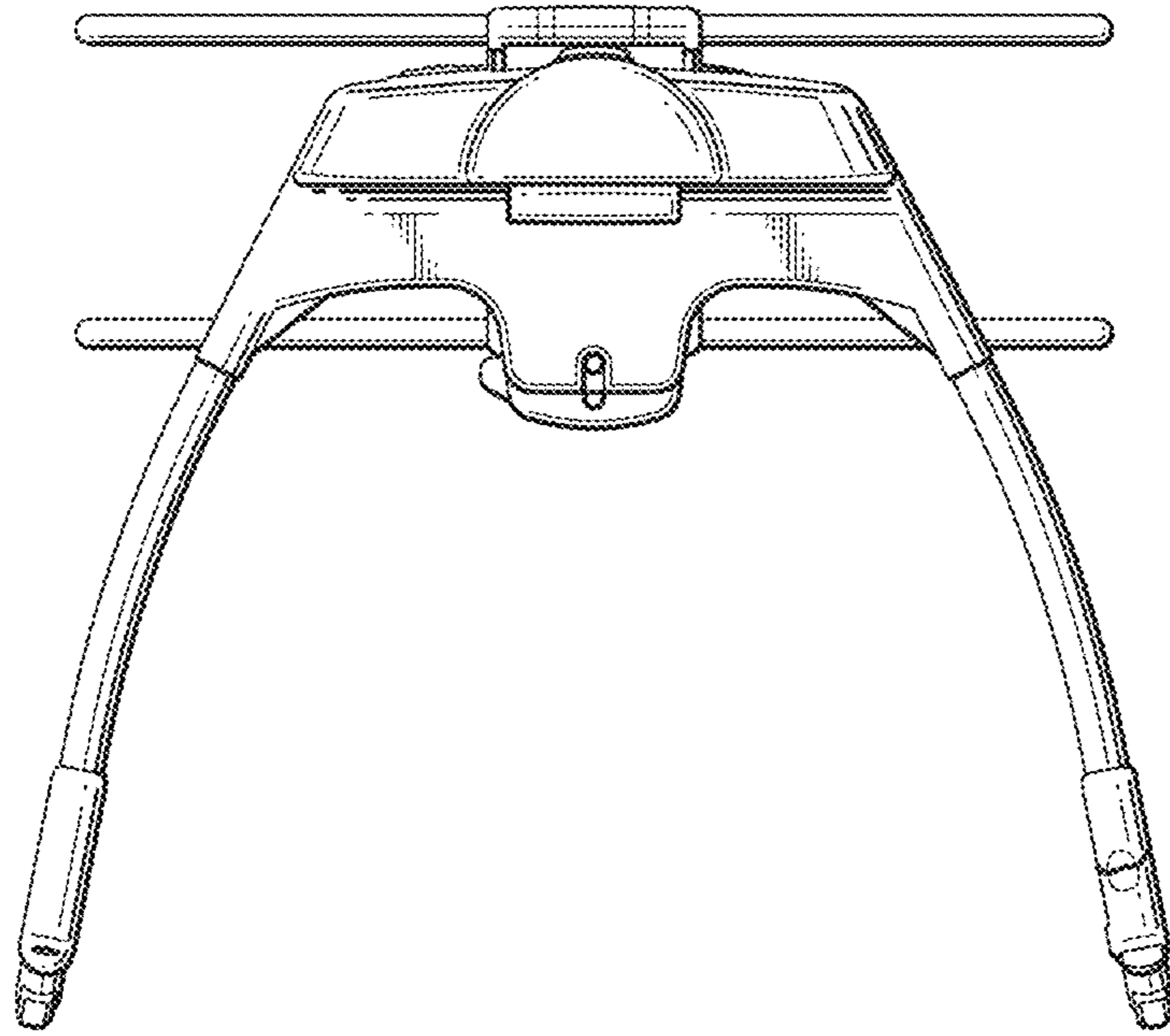


Fig.2

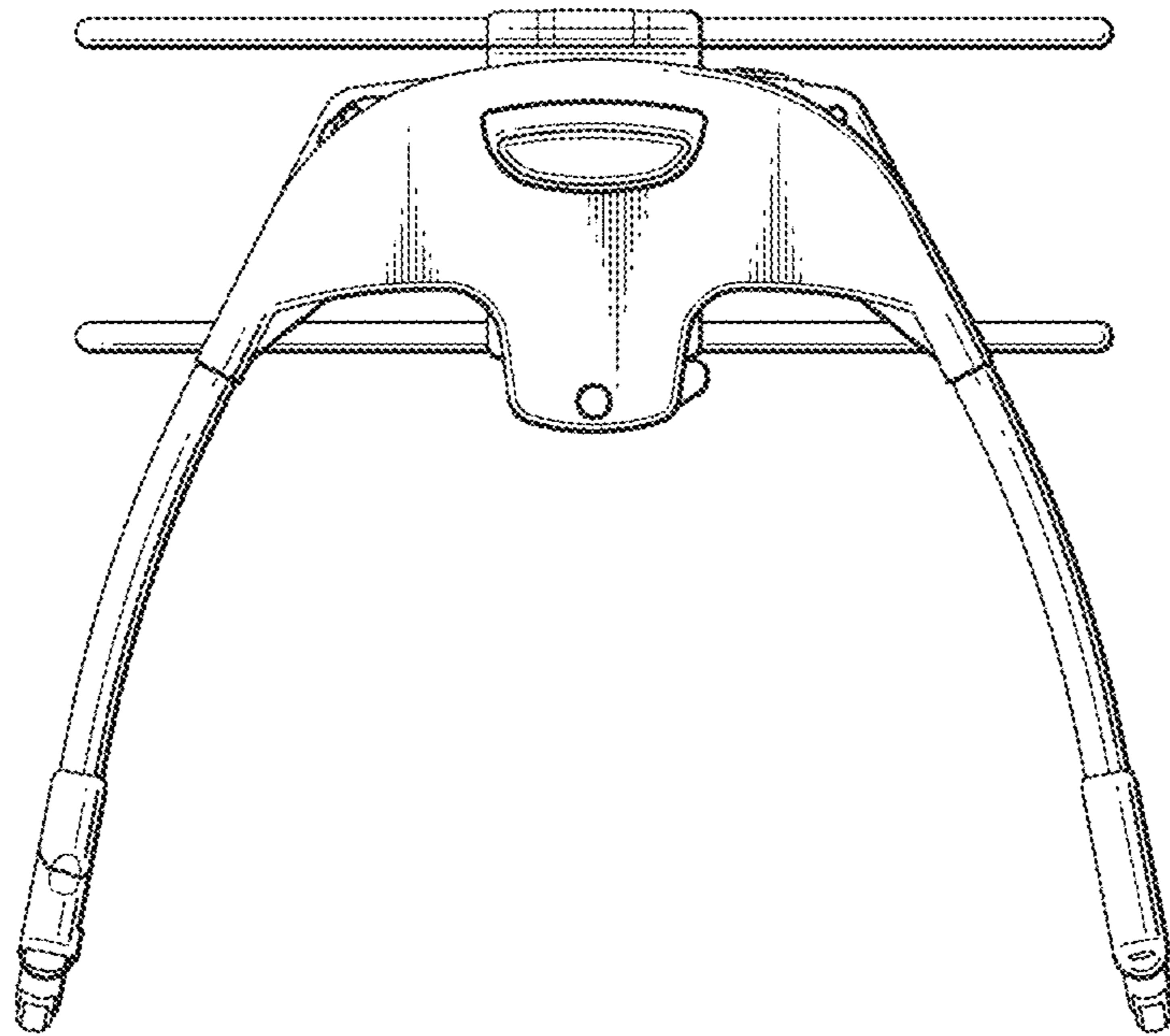


Fig.3

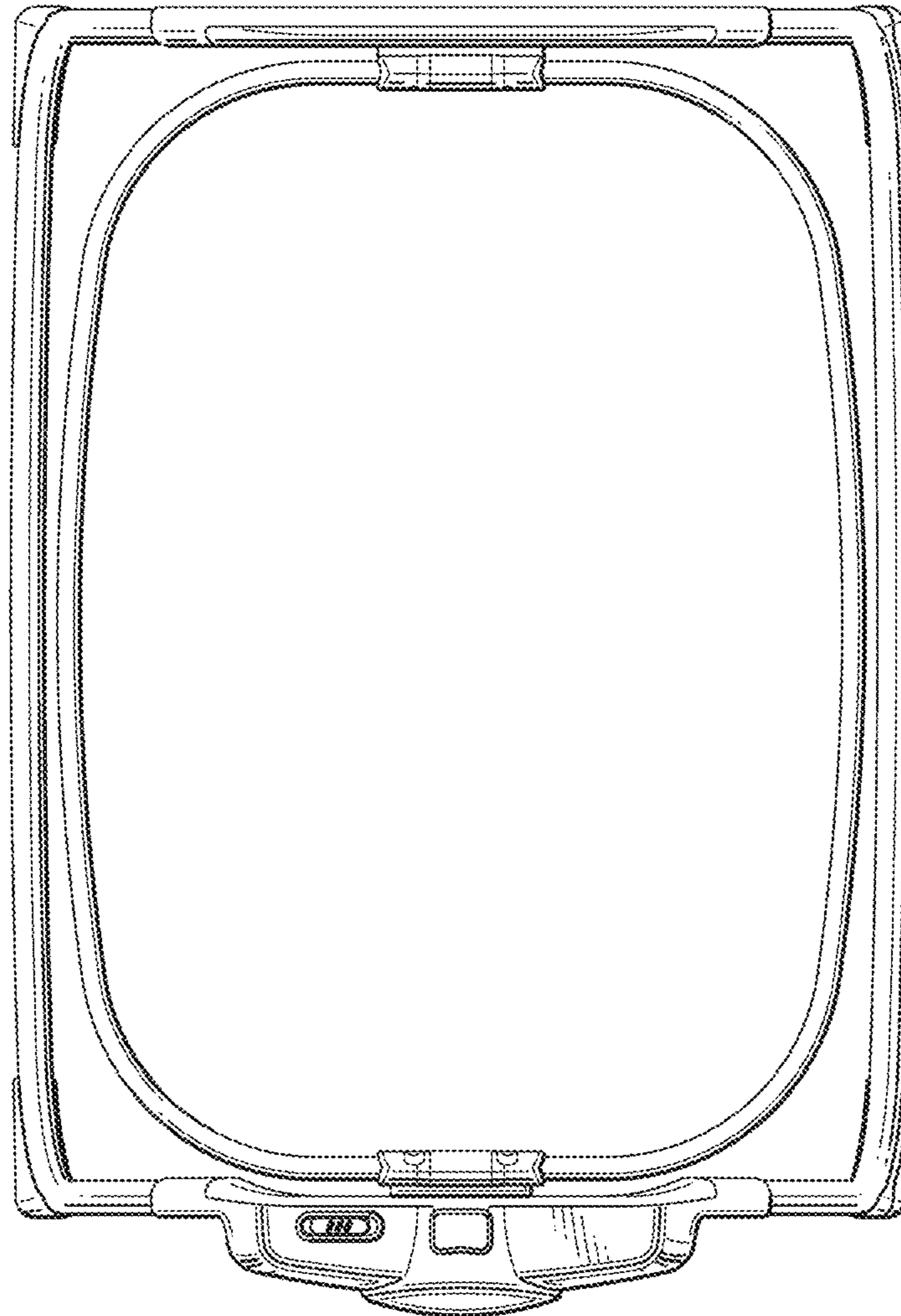


Fig. 4

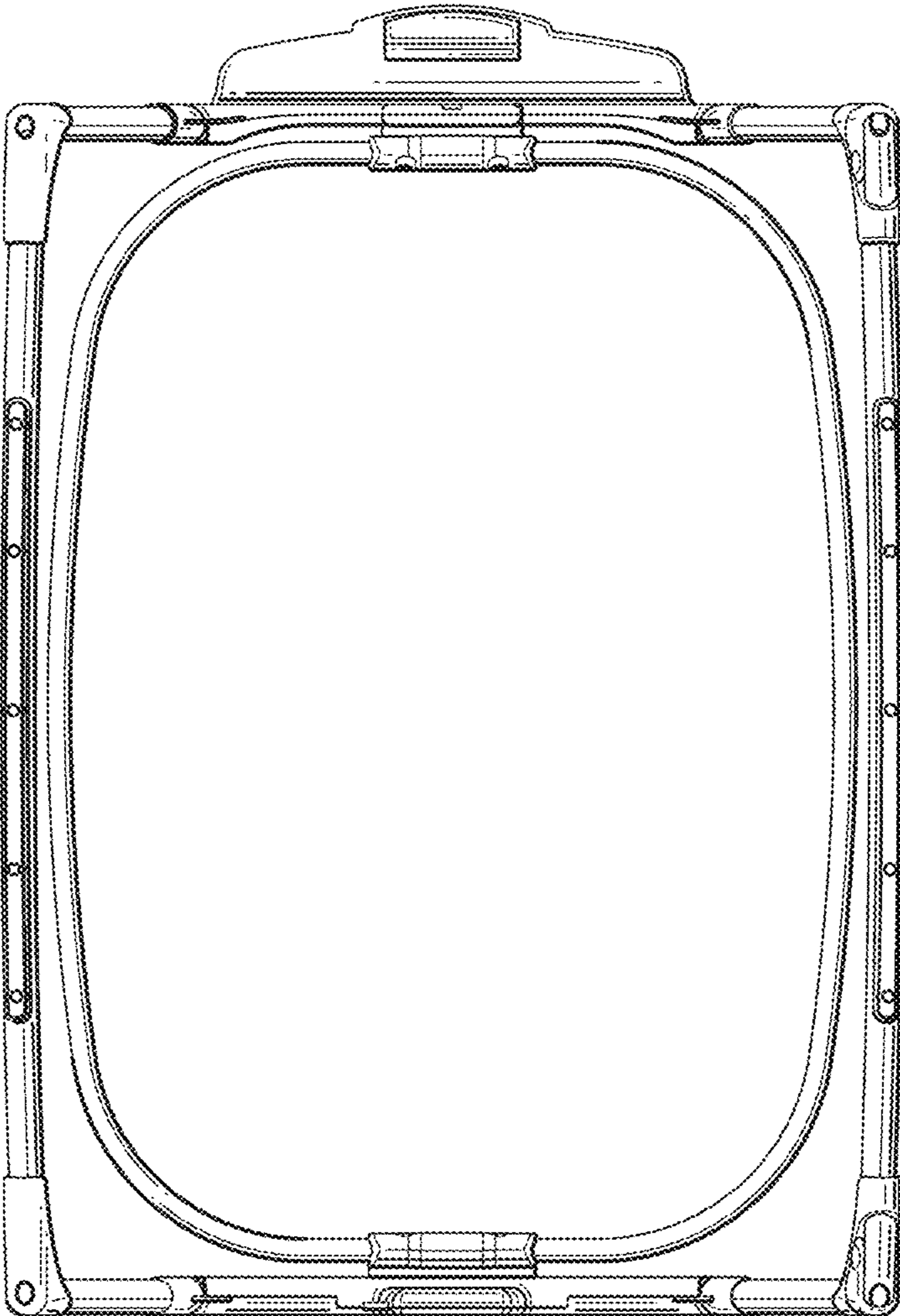


Fig. 5

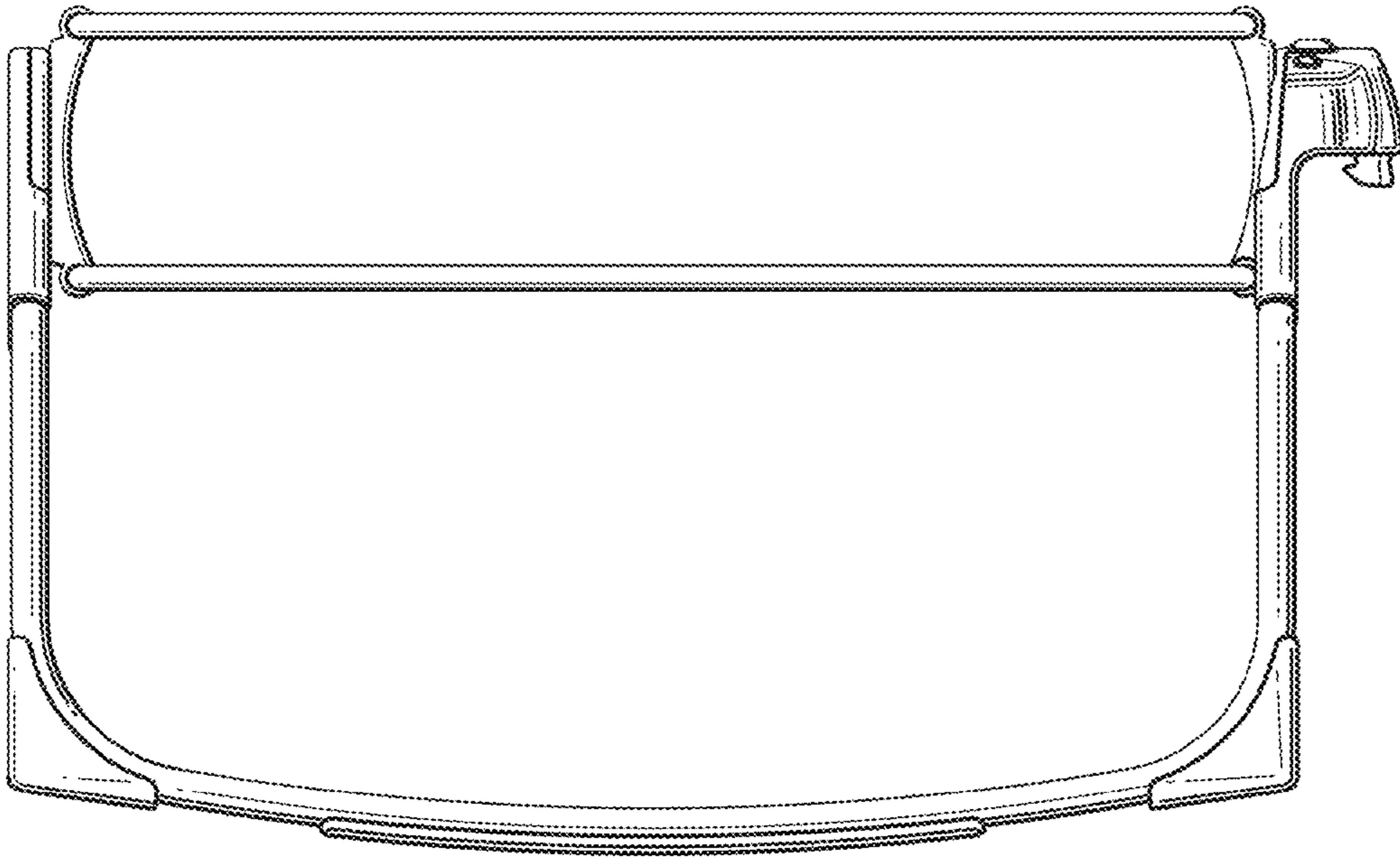


Fig. 6

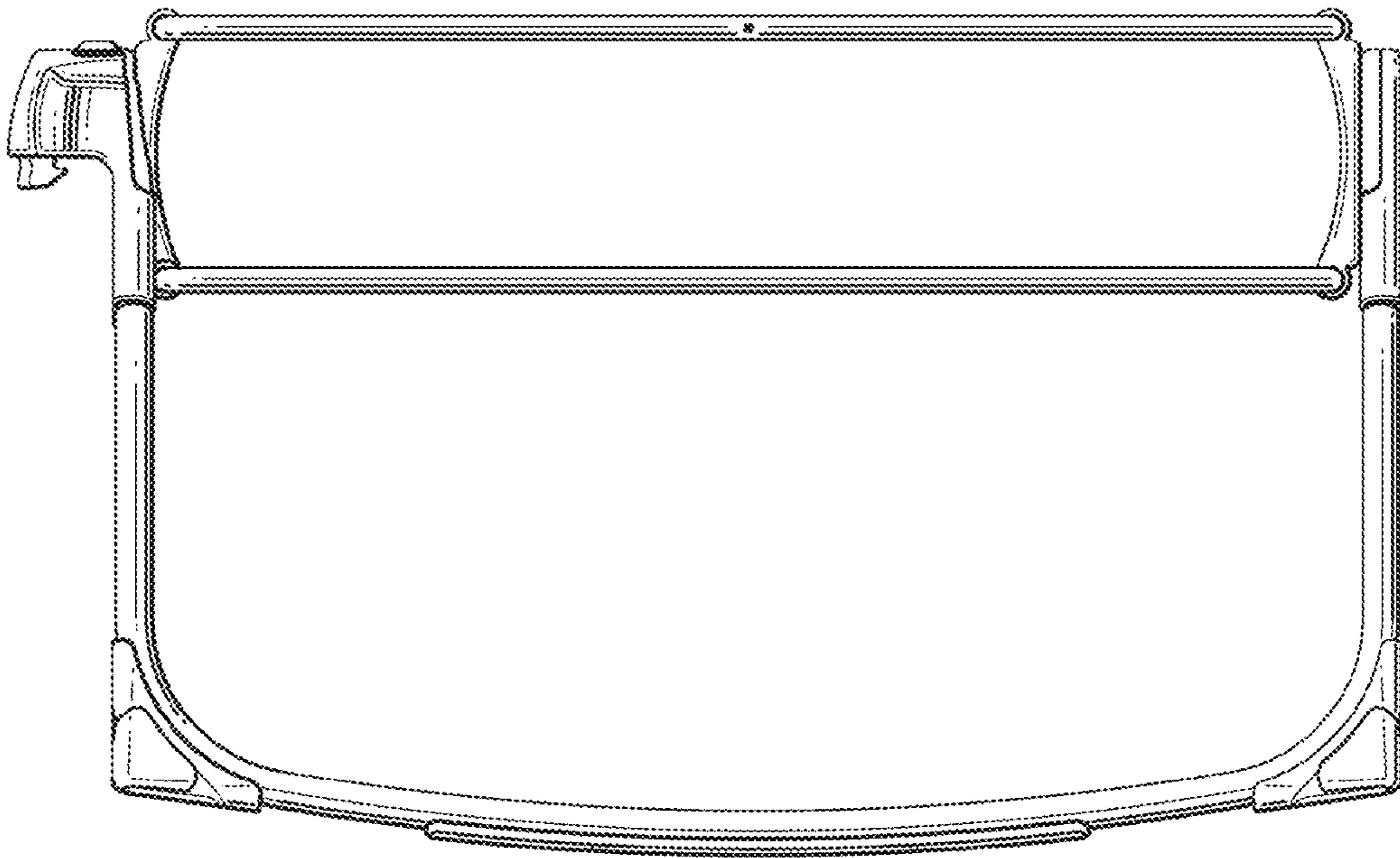


Fig. 7

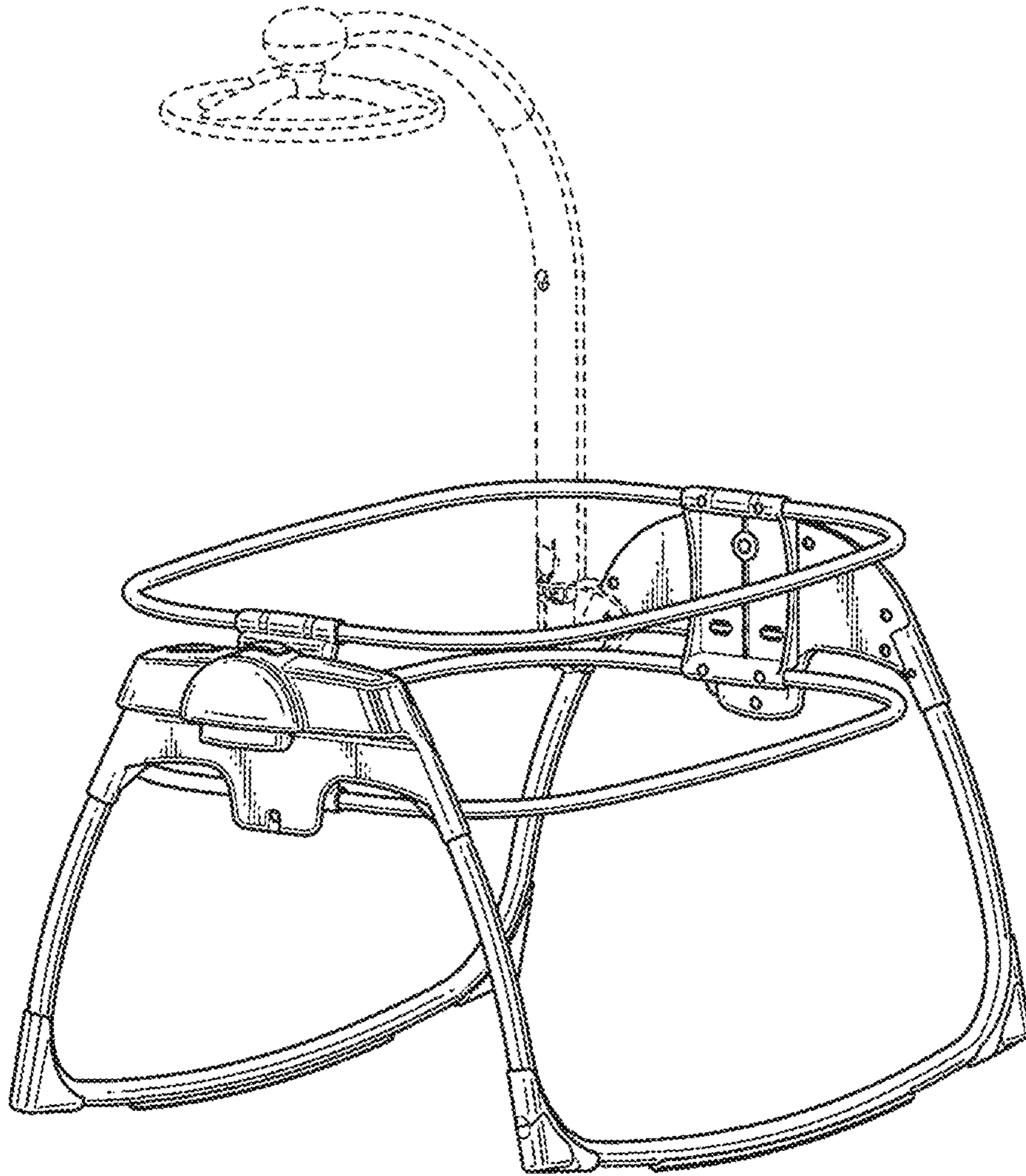


Fig.8