



US00D753425S

(12) **United States Design Patent**
Johansson

(10) **Patent No.:** **US D753,425 S**
(45) **Date of Patent:** **** Apr. 12, 2016**

- (54) **PROFILE TO A WORKTABLE**
- (71) Applicant: **KONSTRUKTION 123456 AB**,
Karlstad (SE)
- (72) Inventor: **Patrik Johansson**, Karlstad (SE)
- (73) Assignee: **CWT WORKTOOLS AB**, Karlstad
(SE)
- (**) Term: **14 Years**
- (21) Appl. No.: **29/494,054**
- (22) Filed: **Jun. 17, 2014**
- (30) **Foreign Application Priority Data**
Dec. 18, 2013 (WO) DM/083 447
- (51) **LOC (10) Cl.** **06-04**
- (52) **U.S. Cl.**
USPC **D6/684**; D25/119
- (58) **Field of Classification Search**
USPC D6/684, 702, 691; D8/349, 354, 381;
D25/119, 121, 122, 125, 126, 136
CPC B25H 1/10; B25H 1/08; B23D 47/025;
B23Q 3/02; B23Q 3/00; A47B 96/14
See application file for complete search history.

D452,575 S *	12/2001	Edger	D25/124
D453,843 S *	2/2002	Scalzott	D25/124
D453,846 S *	2/2002	Scalzott	D25/124
D459,975 S *	7/2002	Dinh	D25/119
D526,068 S *	8/2006	Schlangen	D25/119
D551,781 S *	9/2007	Abdullah	D25/123
D554,911 S *	11/2007	Chang	D25/122
D575,631 S *	8/2008	Huang	D8/354
D619,447 S *	7/2010	Liu	D25/124
D645,168 S *	9/2011	Franson	D25/125
D674,219 S *	1/2013	Kim	D6/702
D674,221 S *	1/2013	Kim	D6/702
D674,513 S *	1/2013	Liu	D25/126
D695,423 S *	12/2013	Krieger	D25/121
8,661,765 B2 *	3/2014	Schaefer	A47B 96/14 52/239
D702,466 S *	4/2014	Kim	D6/702
D704,484 S *	5/2014	Thrush	D6/683.1
D741,689 S *	10/2015	Metzler	D8/349
2007/0034292 A1 *	2/2007	Smith	B23D 47/025 144/286.5
2011/0303798 A1 *	12/2011	Bader	A47B 96/067 248/65

* cited by examiner

Primary Examiner — George D Kirschbaum

Assistant Examiner — Clese Moore, Jr.

(74) *Attorney, Agent, or Firm* — Jeffrey S. Melcher; Manelli Selter PLLC

(57) **CLAIM**

I claim the ornamental design for a profile to a worktable, as shown and described.

(56) **References Cited**

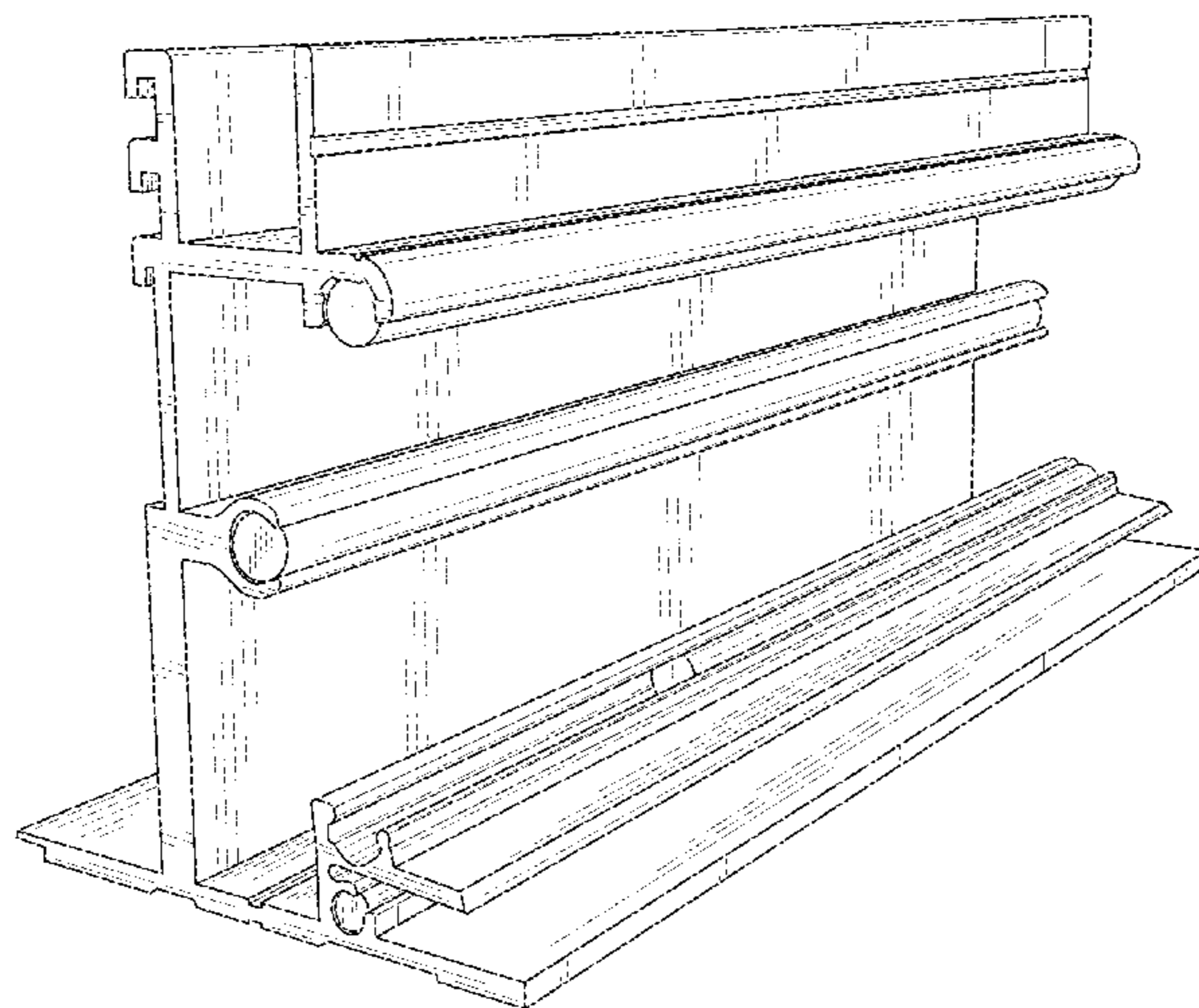
U.S. PATENT DOCUMENTS

D300,256 S *	3/1989	Schmidt	D25/119
D300,698 S *	4/1989	Price	D25/119
D318,130 S *	7/1991	Abbestam	D25/122
D326,403 S *	5/1992	Kleiss	D25/121
D328,139 S *	7/1992	Boer	D25/119
D328,381 S *	7/1992	Tanikawa	D25/119
D336,345 S *	6/1993	Fasth	D25/122
D378,047 S *	2/1997	Chudoba	D8/354
D395,525 S *	6/1998	Rinot	D25/122
5,775,521 A *	7/1998	Tisbo	A47B 17/033 211/11

DESCRIPTION

FIG. 1 is a perspective view of a worktable;
FIG. 2 is a front view of the worktable;
FIG. 3 is a back view of the worktable;
FIG. 4 is a right side view of the worktable;
FIG. 5 is a left side view of the worktable;
FIG. 6 is a top view of a worktable; and,
FIG. 7 is a bottom view of a worktable.

1 Claim, 6 Drawing Sheets



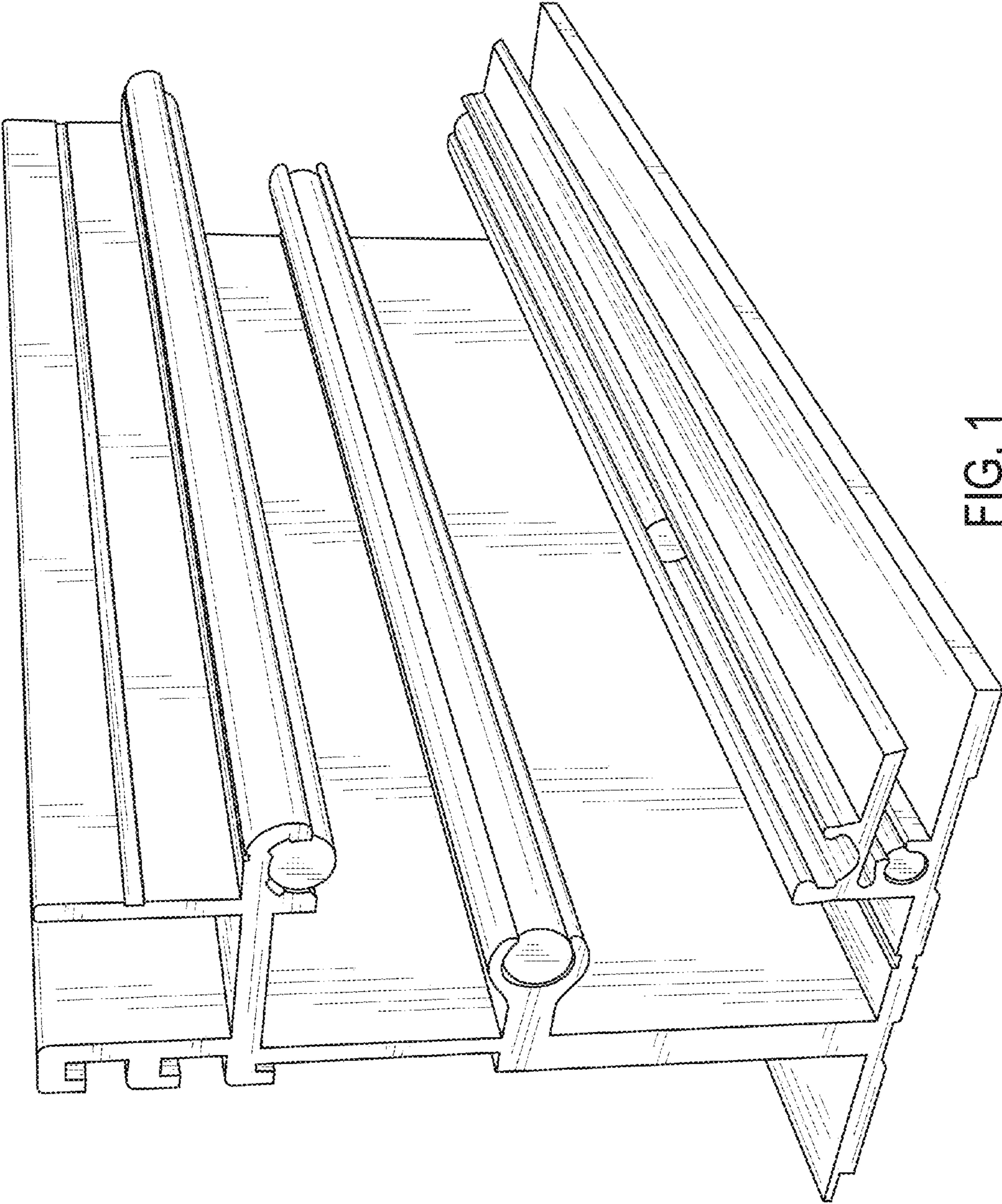


FIG. 1

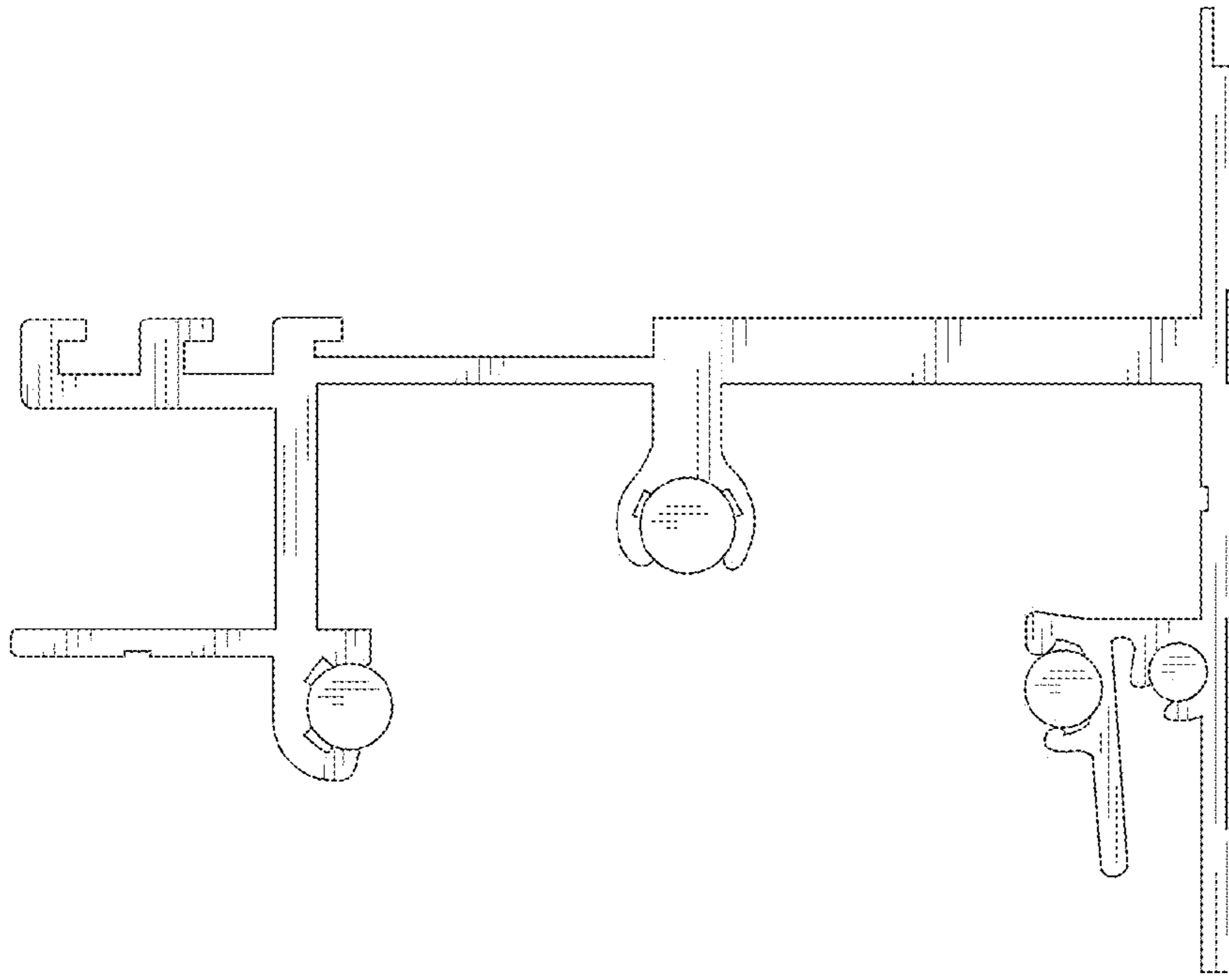


FIG. 3

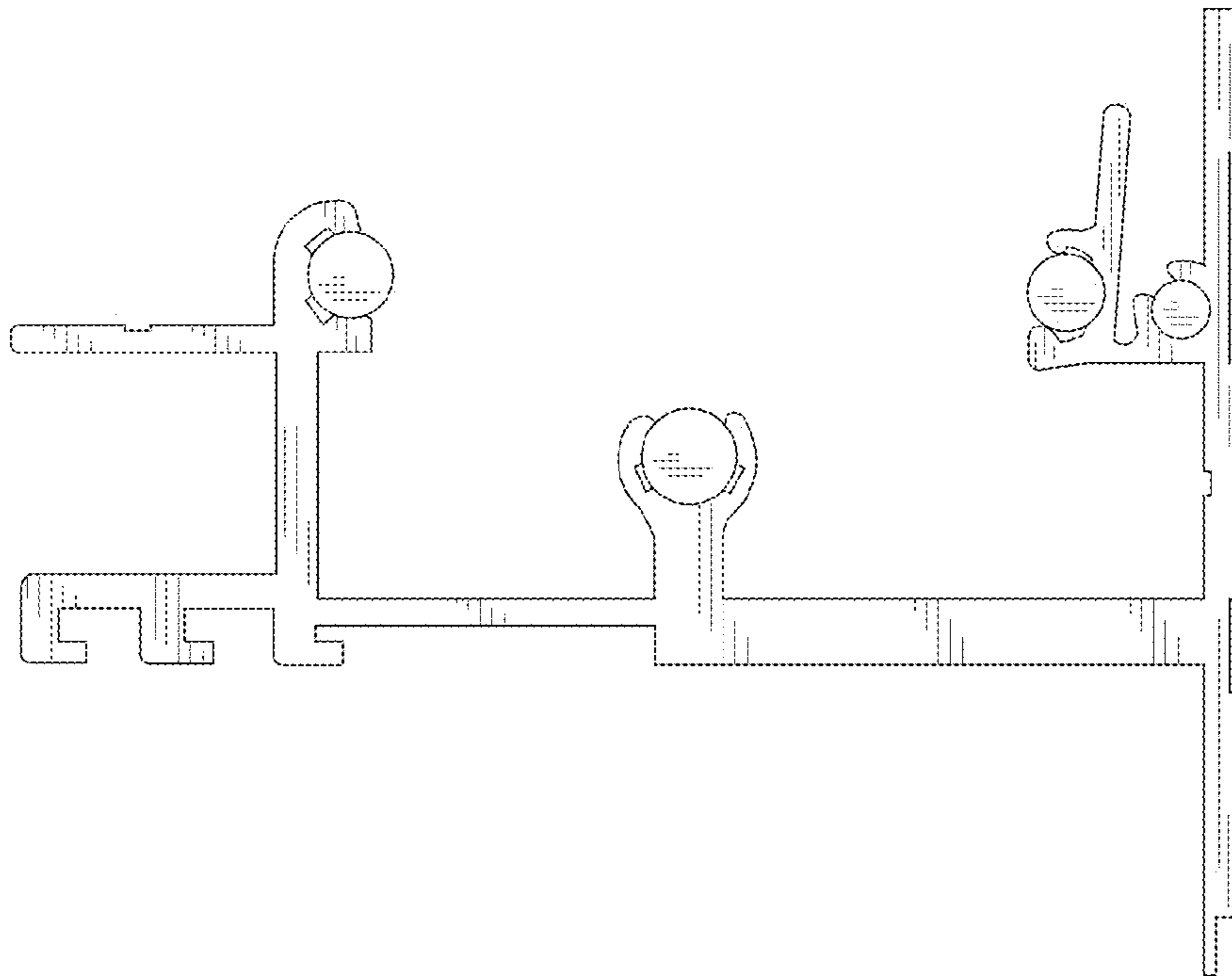


FIG. 2

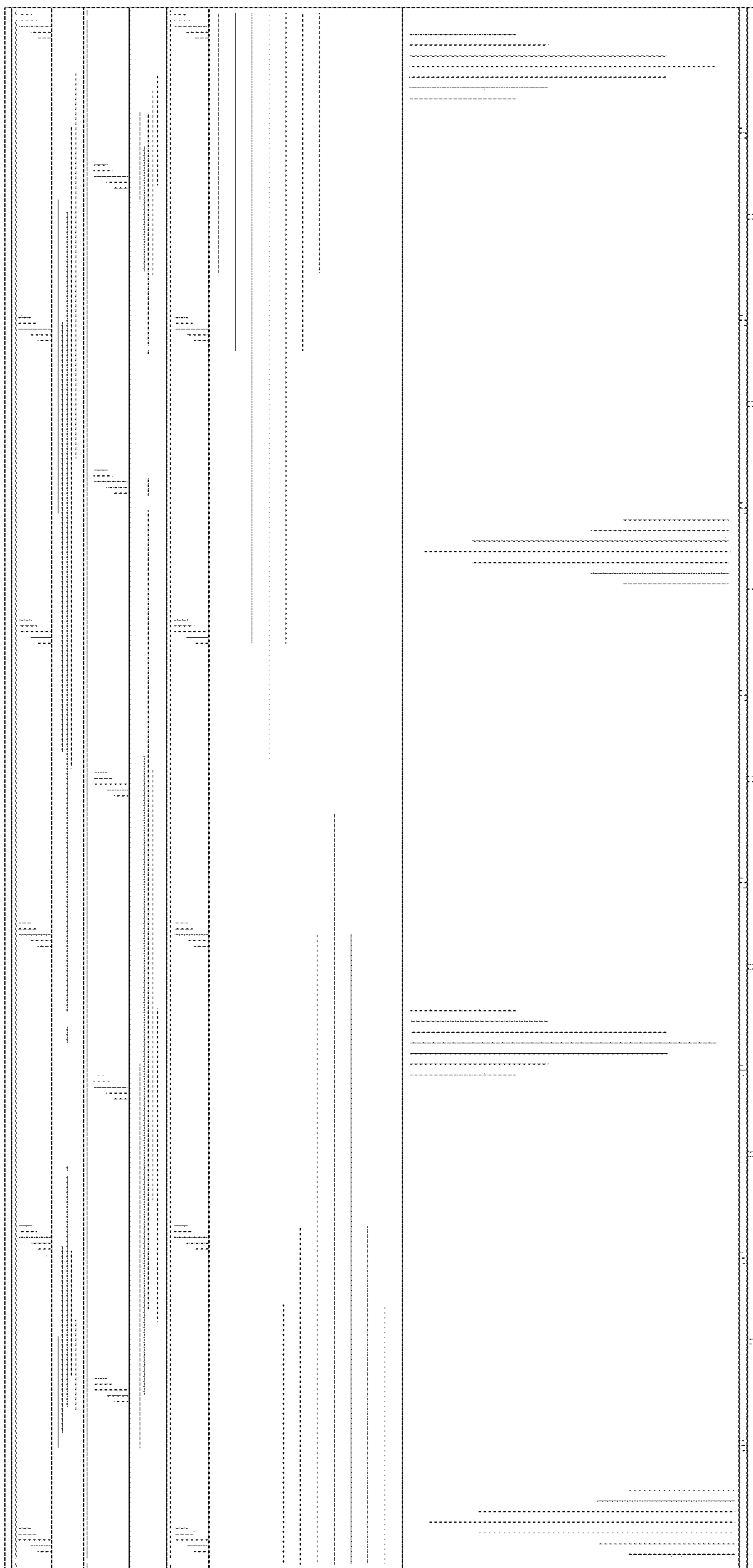


FIG. 4

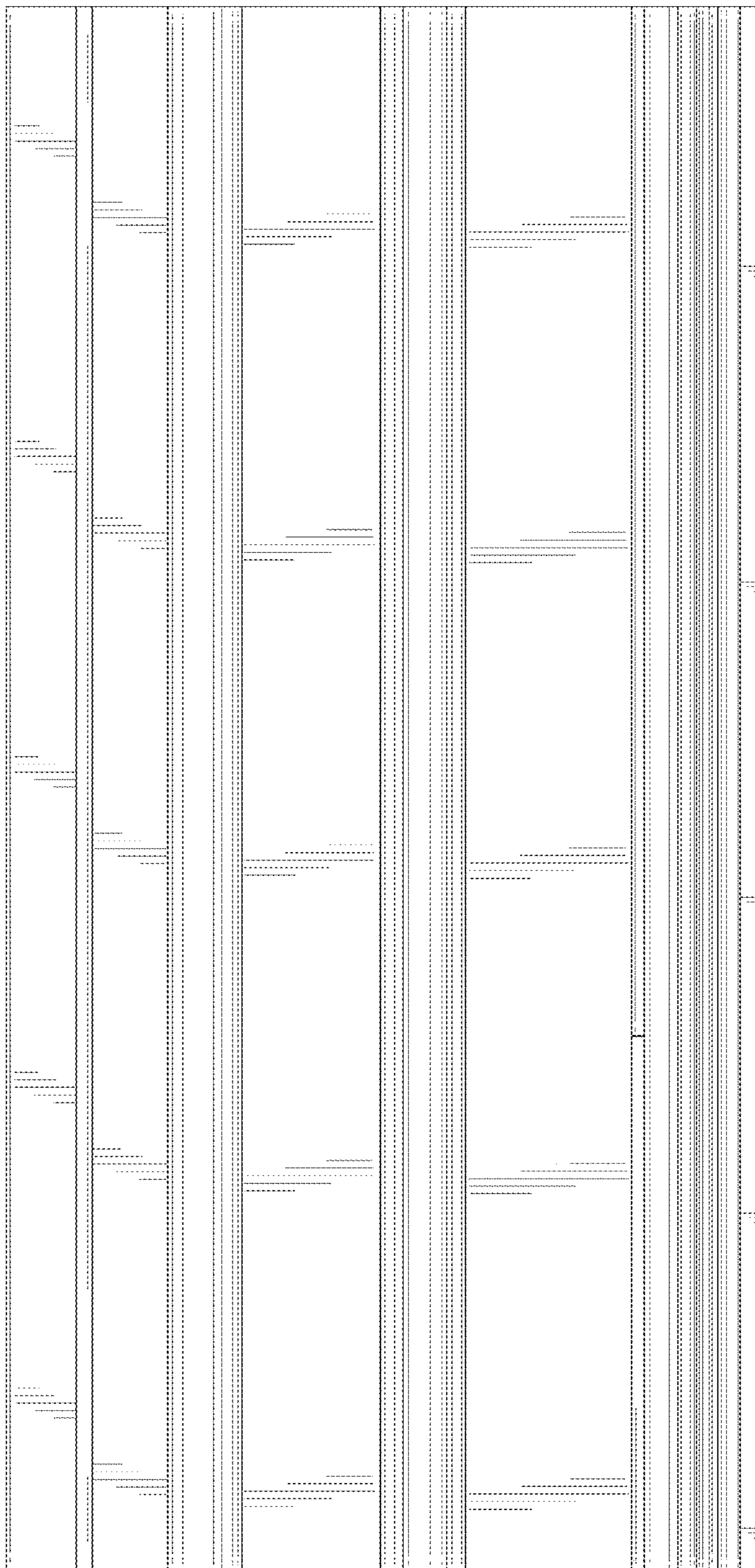


FIG. 5

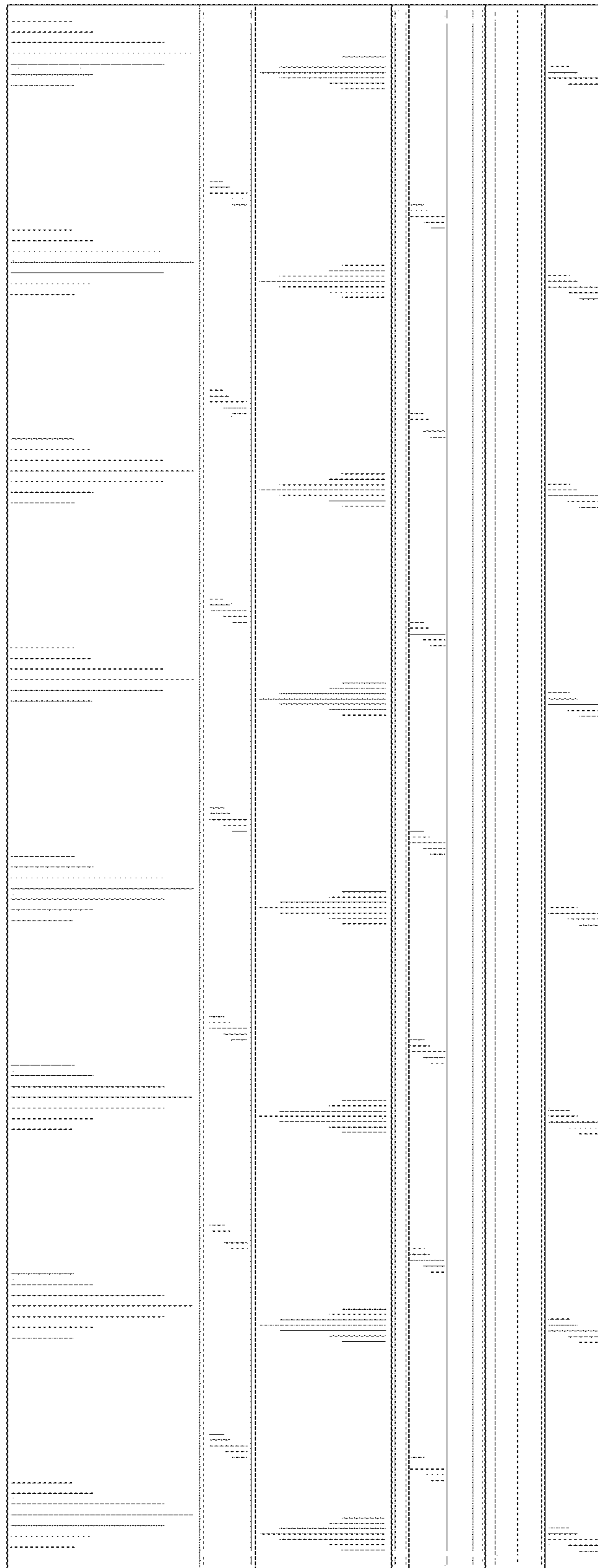


FIG. 6

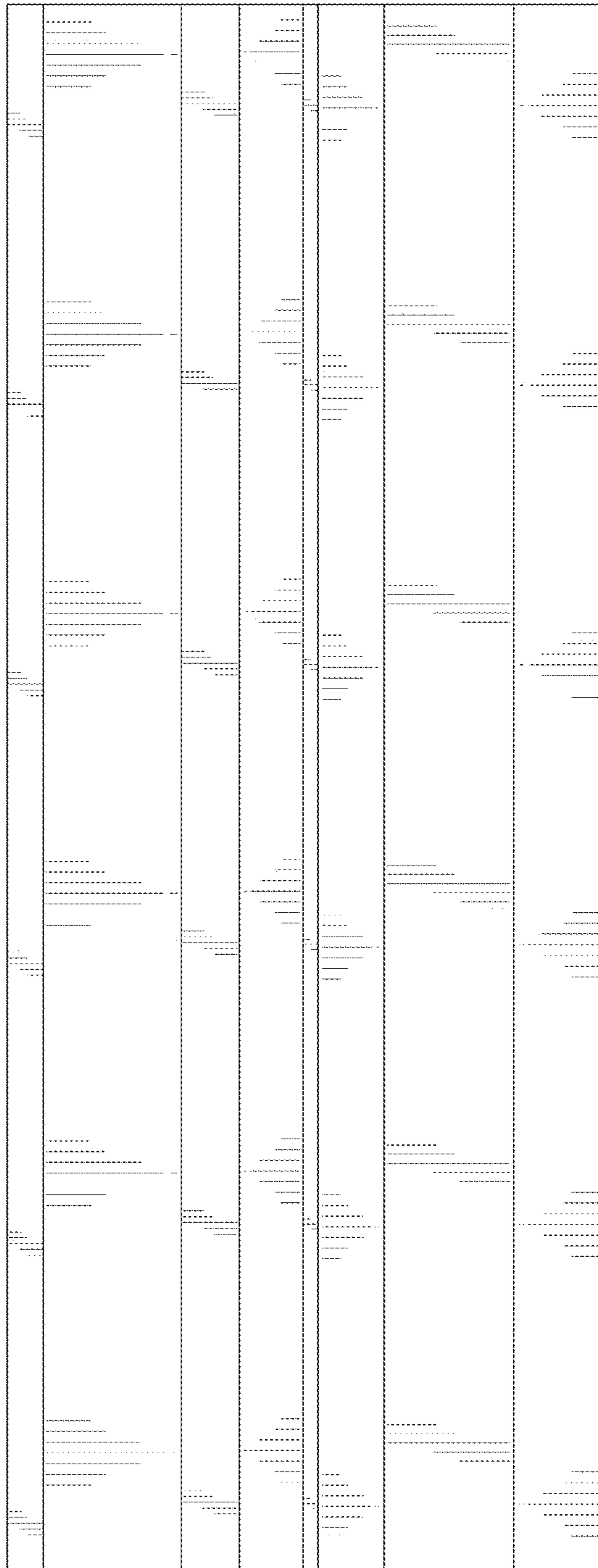


FIG. 7