



US00D753423S

(12) **United States Design Patent**  
**Love**

(10) **Patent No.:** **US D753,423 S**

(45) **Date of Patent:** **\*\* Apr. 12, 2016**

(54) **BOOKSHELF**

(71) Applicant: **Alexander Thomas Love**, Los Angeles,  
CA (US)

(72) Inventor: **Alexander Thomas Love**, Los Angeles,  
CA (US)

(\*\*) Term: **14 Years**

(21) Appl. No.: **29/514,719**

(22) Filed: **Jan. 15, 2015**

(51) **LOC (10) Cl.** ..... **06-06**

(52) **U.S. Cl.**  
USPC ..... **D6/678.2**

(58) **Field of Classification Search**  
USPC ..... D6/672, 673, 678, 678.1, 678.2;  
108/180, 59, 91-92, 96; 211/40, 41.12,  
211/42, 49.1, 50, 85.2  
CPC ..... A47B 63/00; A47B 43/00  
See application file for complete search history.

(56) **References Cited**

**U.S. PATENT DOCUMENTS**

D152,459 S \* 1/1949 Dawson ..... D6/675.1  
D364,055 S \* 11/1995 Pakla ..... D6/675.1

D465,348 S \* 11/2002 Lucatello ..... D6/678  
D586,153 S \* 2/2009 Maly ..... D6/683.1  
D588,838 S \* 3/2009 Helle ..... D6/678.1  
D622,521 S \* 8/2010 Urquiola ..... D6/675.1  
D632,102 S \* 2/2011 Sato ..... D6/675.1  
D722,459 S \* 2/2015 Schluetter ..... D6/675.3  
2006/0243177 A1 \* 11/2006 Jones ..... A47B 87/0276  
108/180

\* cited by examiner

*Primary Examiner* — Kelley Donnelly

(74) *Attorney, Agent, or Firm* — Workman Nydegger

(57) **CLAIM**

The ornamental design for a bookshelf, as shown and described.

**DESCRIPTION**

FIG. 1 is a perspective view of a bookshelf showing the new design;  
FIG. 2 is a front elevational view thereof;  
FIG. 3 is a rear elevational view thereof;  
FIG. 4 is a right side elevational view thereof;  
FIG. 5 is a left side elevational view thereof;  
FIG. 6 is a top plan view thereof; and,  
FIG. 7 is a bottom plan view thereof.

**1 Claim, 5 Drawing Sheets**

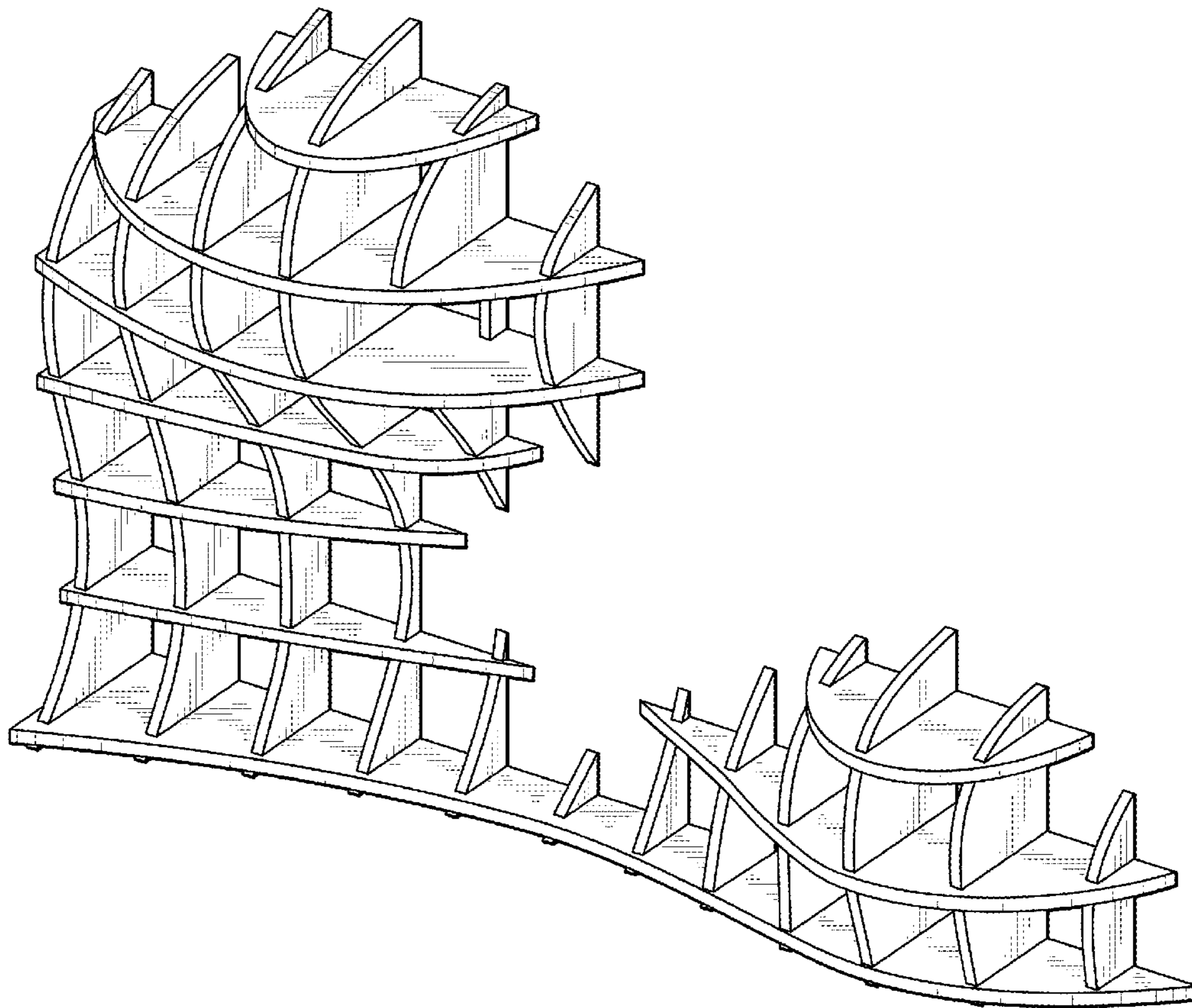
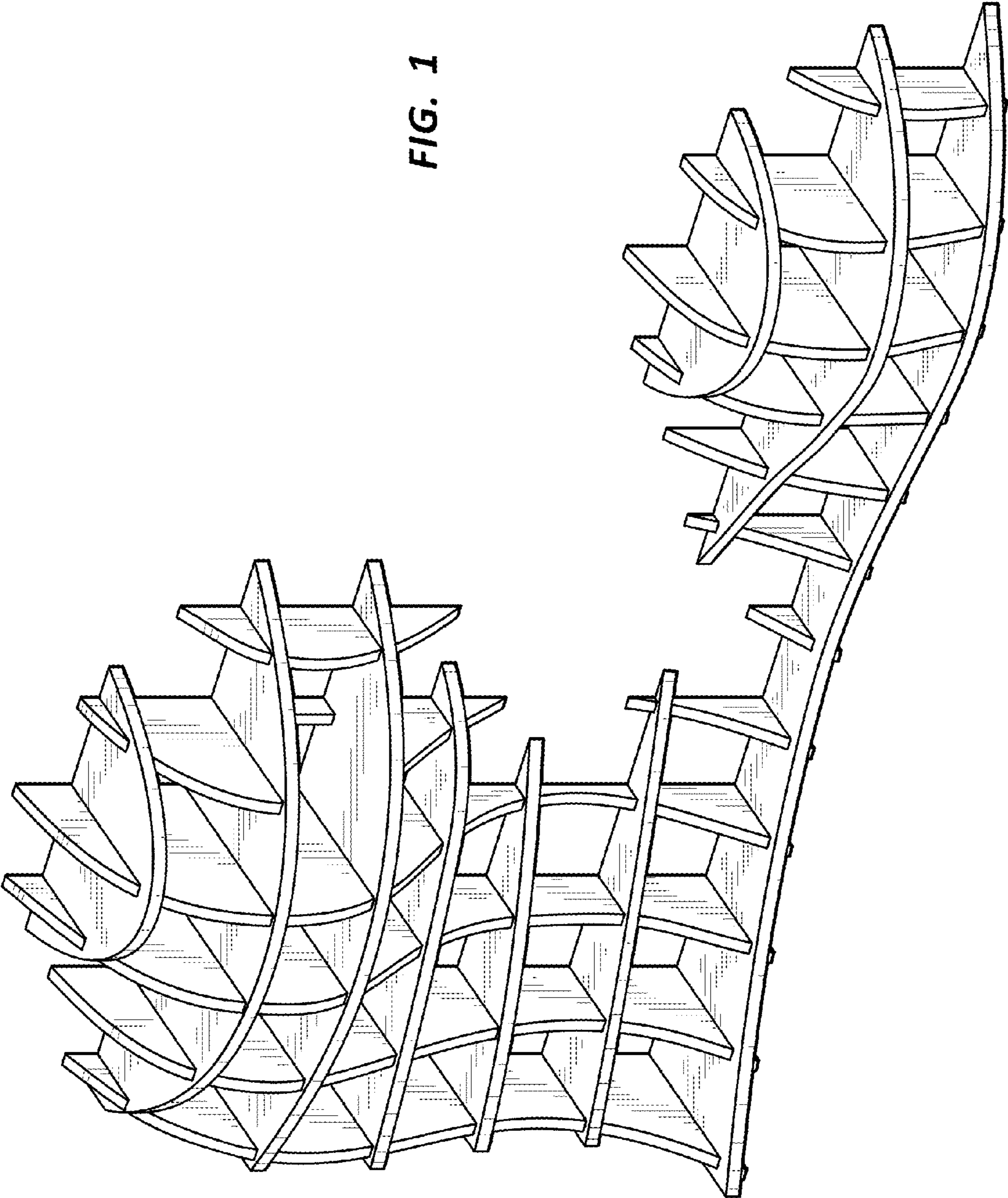


FIG. 1



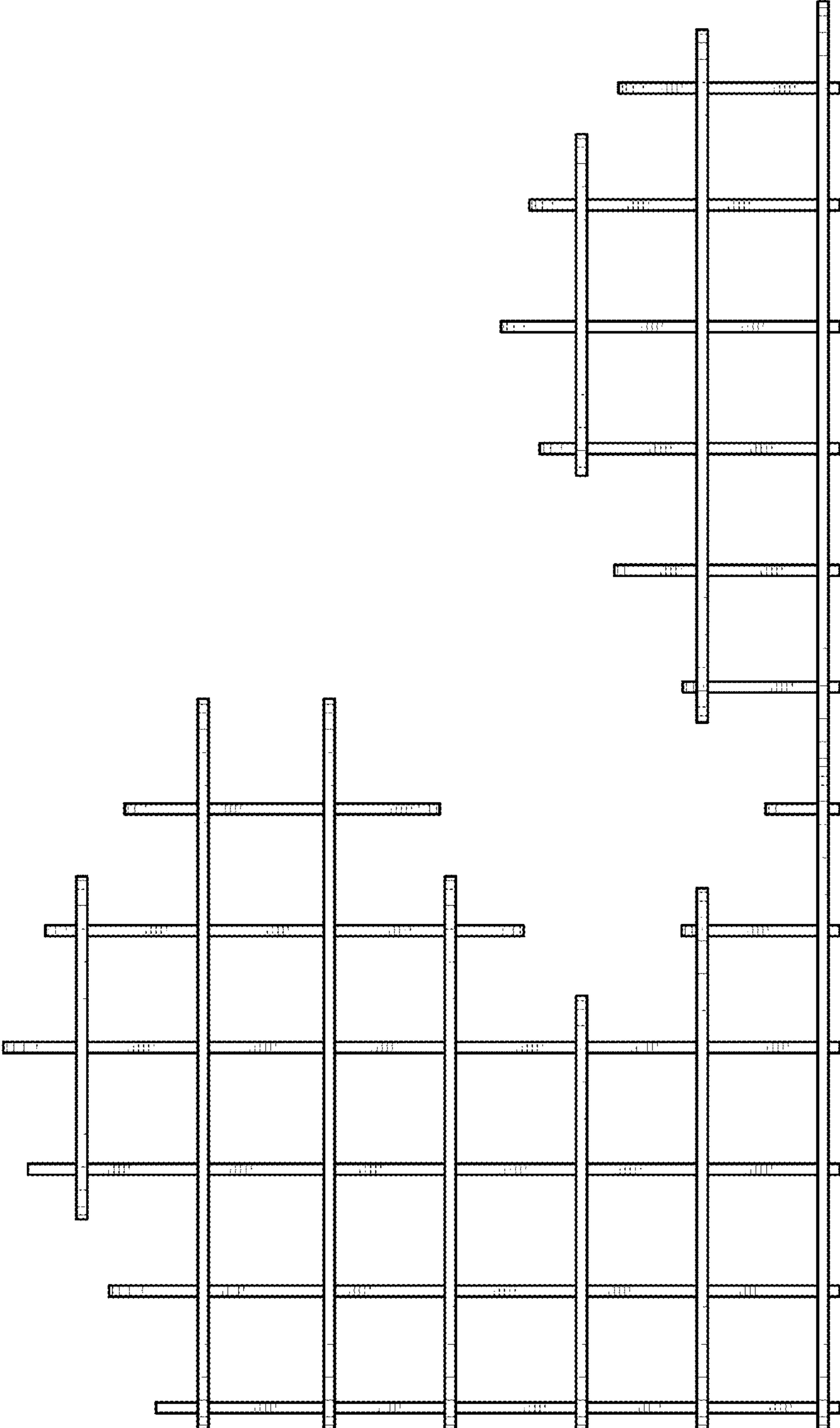


FIG. 2

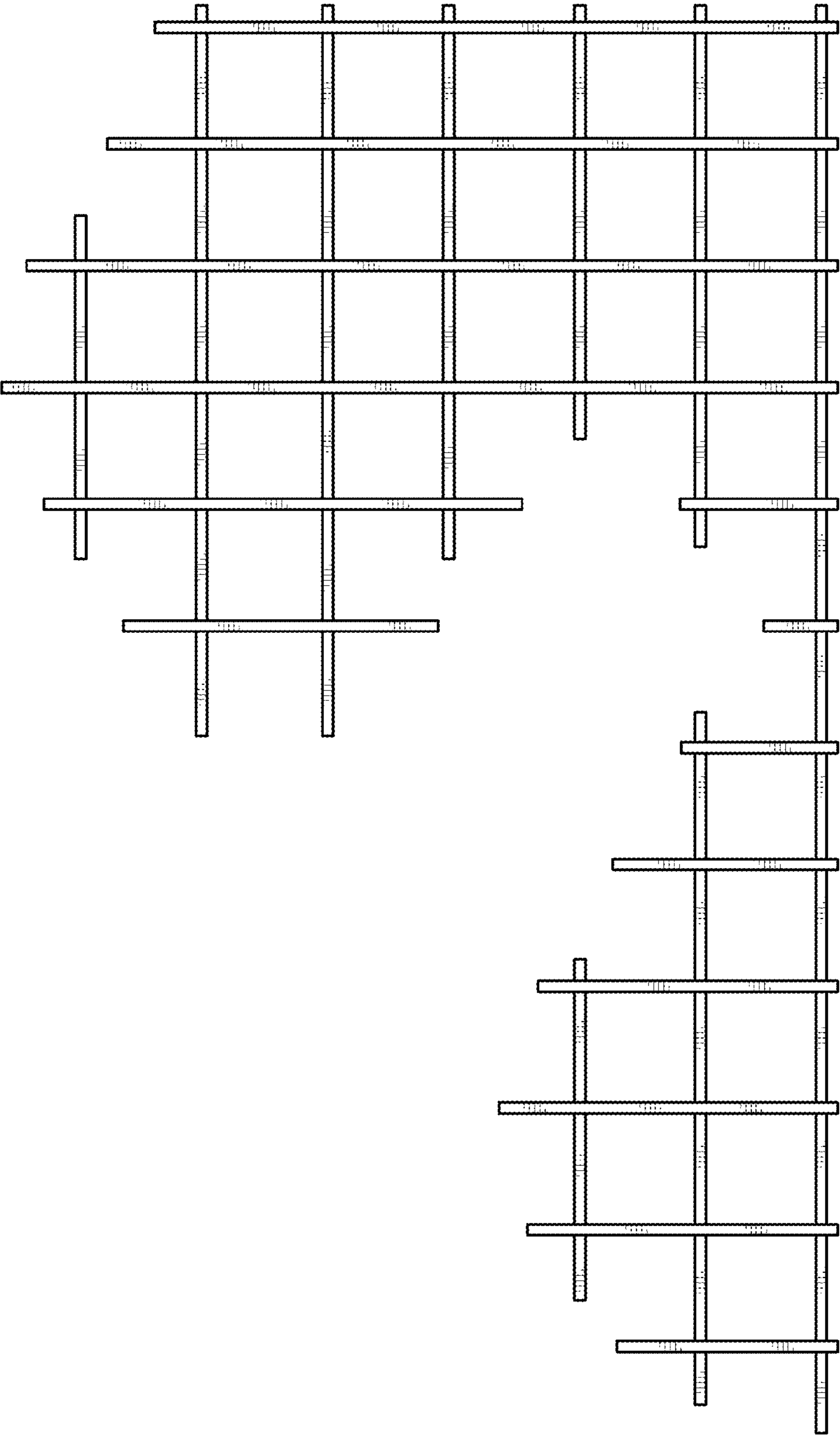


FIG. 3

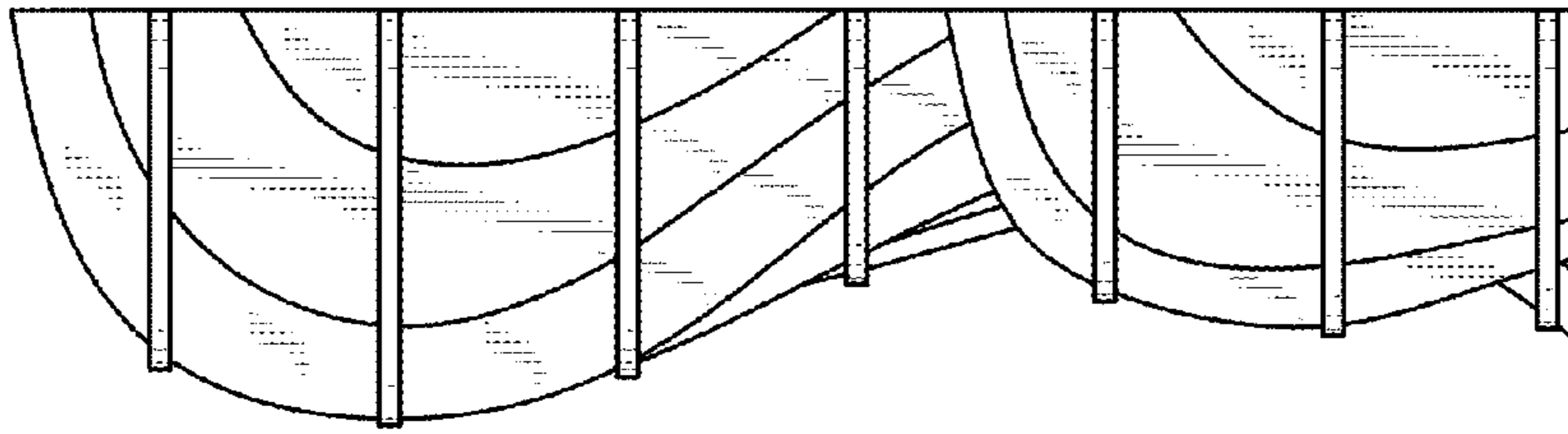


FIG. 5

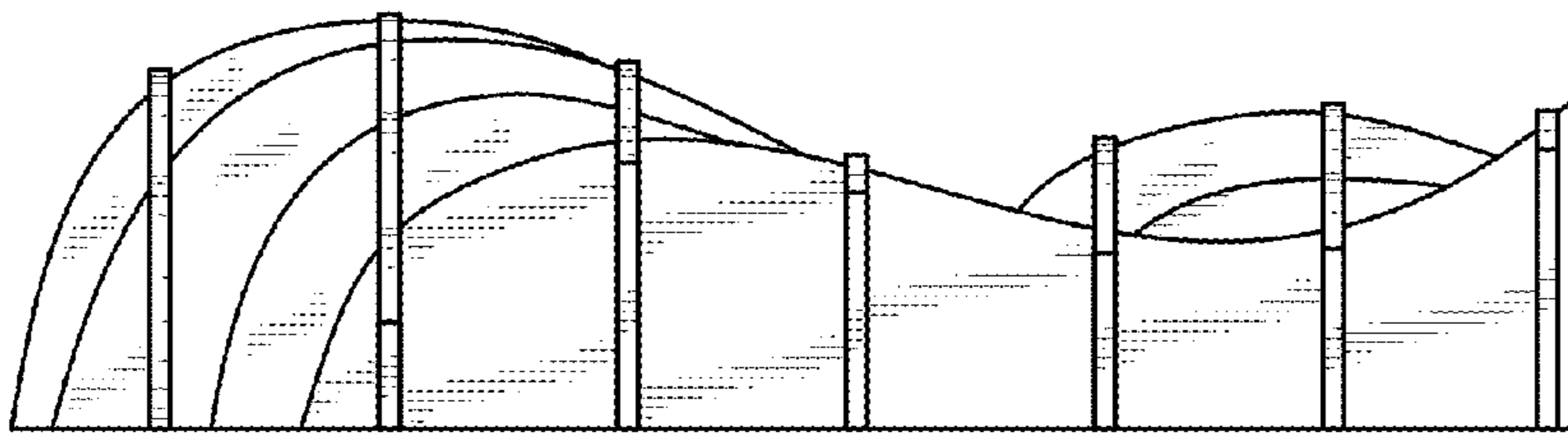


FIG. 4

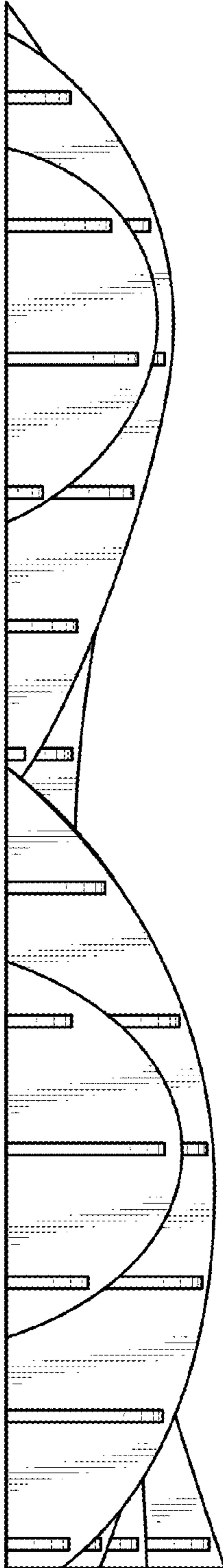


FIG. 6

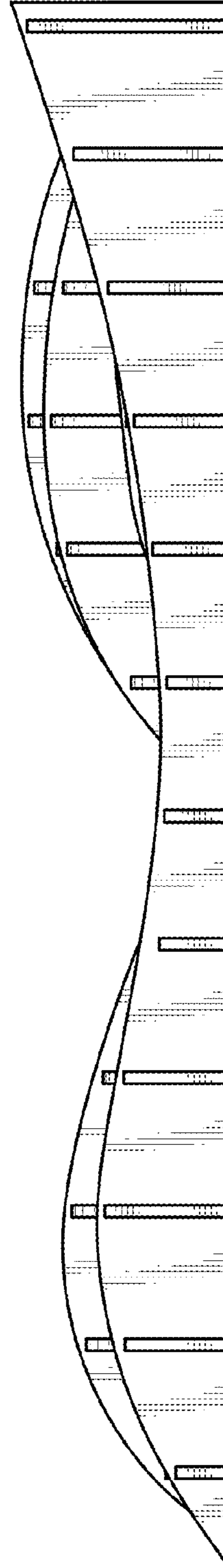


FIG. 7